



US00D726986S

(12) **United States Design Patent**
Hall

(10) **Patent No.:** **US D726,986 S**

(45) **Date of Patent:** **** Apr. 14, 2015**

(54) **HIGH HAT CAMERA DOLLY**

(71) Applicant: **AZGrip.Com LLC**, Queen Creek, AZ
(US)

(72) Inventor: **Michael W. Hall**, Queen Creek, AZ (US)

(73) Assignee: **AZGrip.Com LLC**, Queen Creek, AZ
(US)

(**) Term: **14 Years**

(21) Appl. No.: **29/488,380**

(22) Filed: **Apr. 17, 2014**

(51) **LOC (10) Cl.** **12-02**

(52) **U.S. Cl.**
USPC **D34/23**

(58) **Field of Classification Search**
USPC D34/12-27; 108/55.5, 25; 280/79.11,
280/79.2, 79.5; 248/129
See application file for complete search history.

(56) **References Cited**

U.S. PATENT DOCUMENTS

2,790,196	A *	4/1957	Rideout et al.	16/30
D204,752	S *	5/1966	Tveten	D34/18
D221,634	S *	8/1971	Bridespies et al.	D34/18
3,802,717	A *	4/1974	Eitreim	280/79.11
3,831,959	A *	8/1974	Fontana	280/79.11
3,923,318	A *	12/1975	Renard et al.	280/35
D251,833	S *	5/1979	Maza et al.	D34/23
4,792,147	A *	12/1988	Wissing	280/32.6
D328,172	S *	7/1992	Juergens	D34/23
5,232,497	A *	8/1993	Dillenbeck et al.	106/727
D349,995	S *	8/1994	Cassel et al.	D34/23
5,823,549	A *	10/1998	Morgan, Jr.	280/33.998

D426,177	S *	6/2000	Lundh	D12/133
D428,367	S *	7/2000	Lundh	D12/133
6,964,423	B1 *	11/2005	Chieh et al.	280/79.11
D532,575	S *	11/2006	Oberg	D34/28
D549,920	S *	8/2007	Dukes	D34/23
D573,774	S *	7/2008	Archer	D34/28

* cited by examiner

Primary Examiner — Cynthia Ramirez

(74) *Attorney, Agent, or Firm* — Thomas W. Galvani, P.C.;
Thomas W. Galvani

(57) **CLAIM**

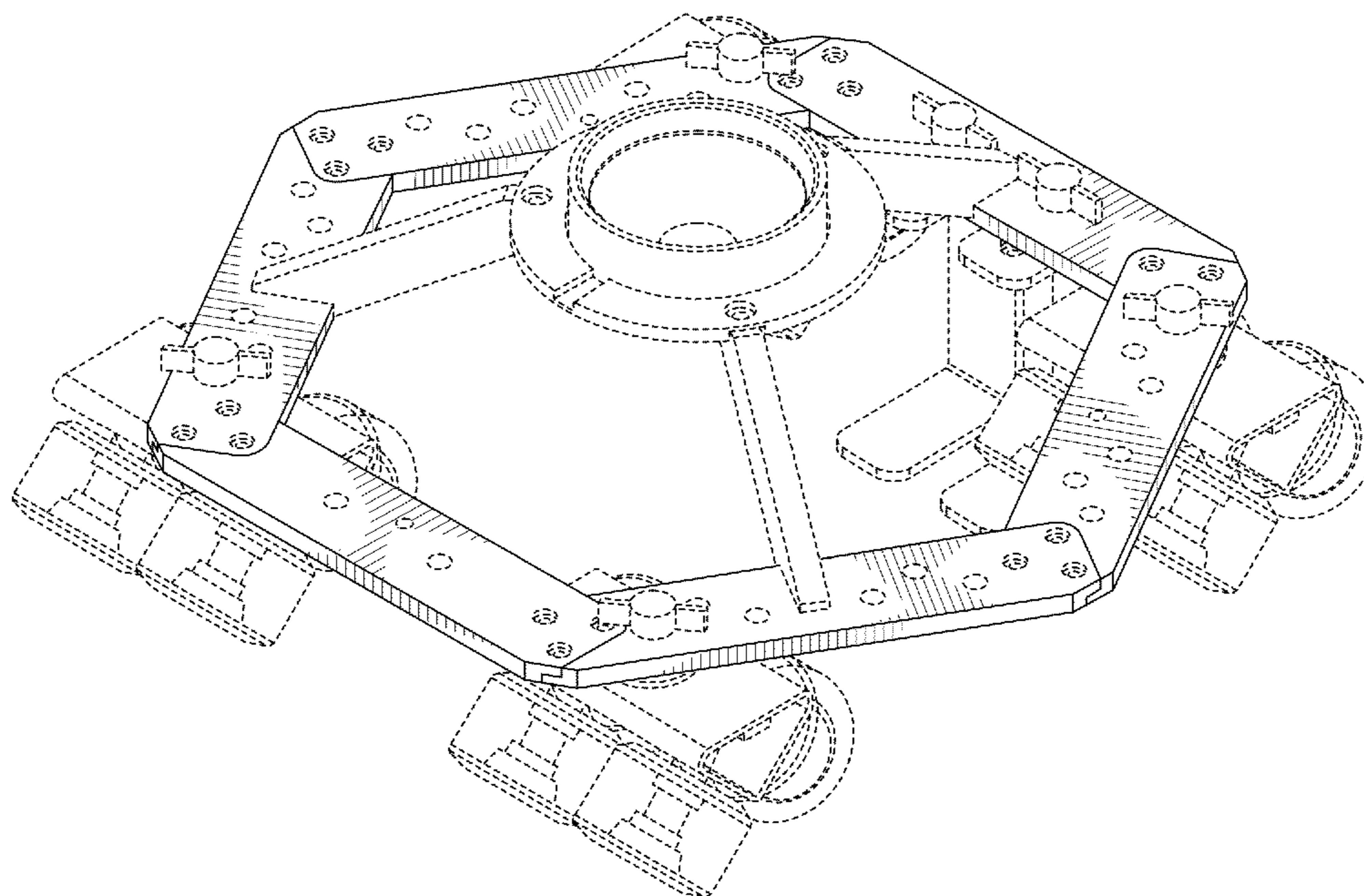
The ornamental design for a high hat camera dolly, as shown and described.

DESCRIPTION

FIG. 1 is a top perspective view of a high hat camera dolly shown in accordance with my new design;
 FIG. 2 is a bottom perspective view of the high hat camera dolly shown in FIG. 1;
 FIG. 3 is a front elevation view of the high hat camera dolly shown in FIG. 1;
 FIG. 4 is a rear elevation view of the high hat camera dolly shown in FIG. 1;
 FIG. 5 is a right side elevation view of the high hat camera dolly shown in FIG. 1;
 FIG. 6 is a left side elevation view of the high hat camera dolly shown in FIG. 1;
 FIG. 7 is a bottom plan view of the high hat camera dolly shown in FIG. 1; and,
 FIG. 8 is a top plan view of the high hat camera dolly shown in FIG. 1.

The broken lines shown in the figures are included for the purpose of illustrating portions of the high hat camera dolly and form no part of the claimed design.

1 Claim, 6 Drawing Sheets



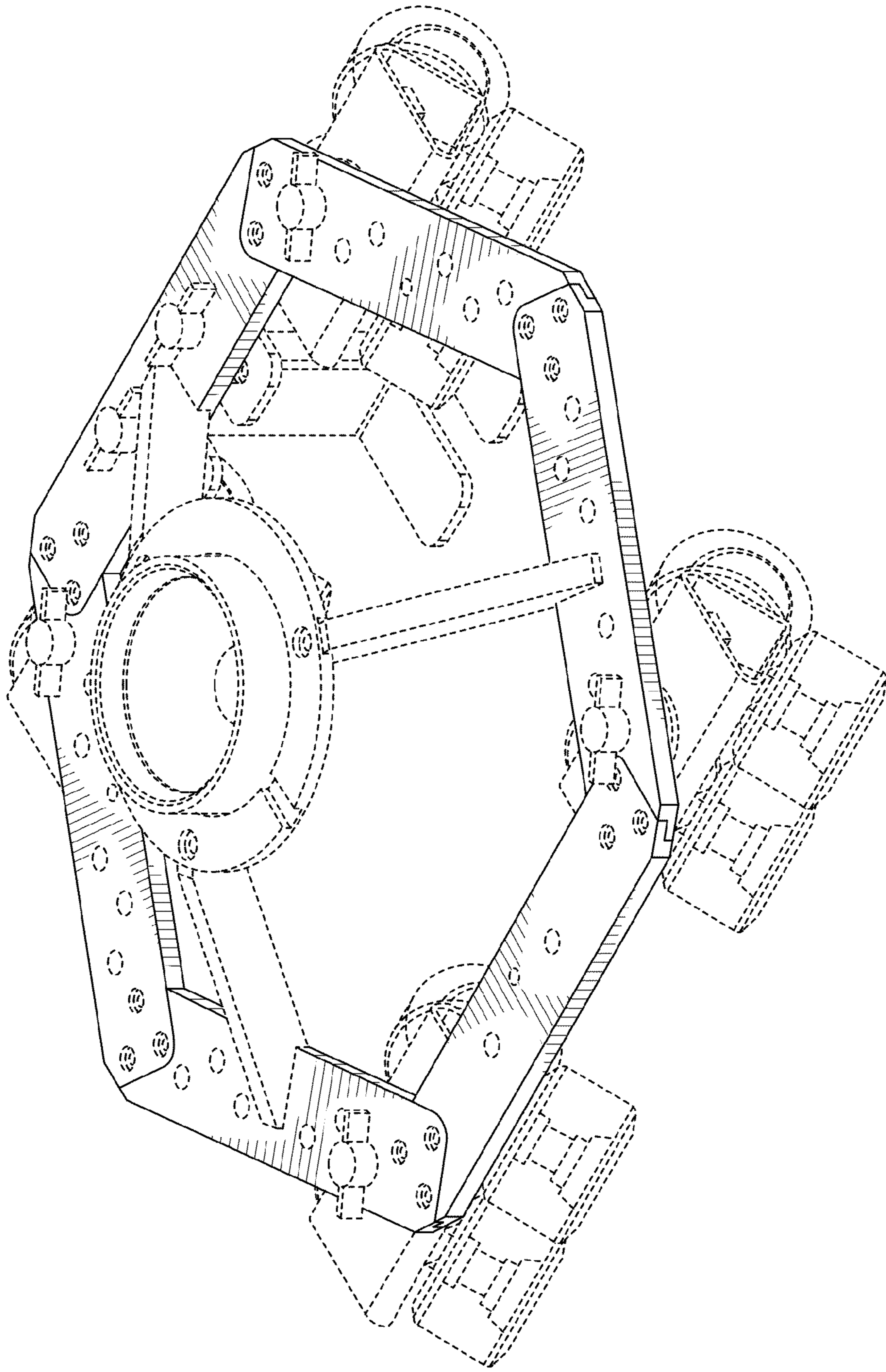


FIG. 1

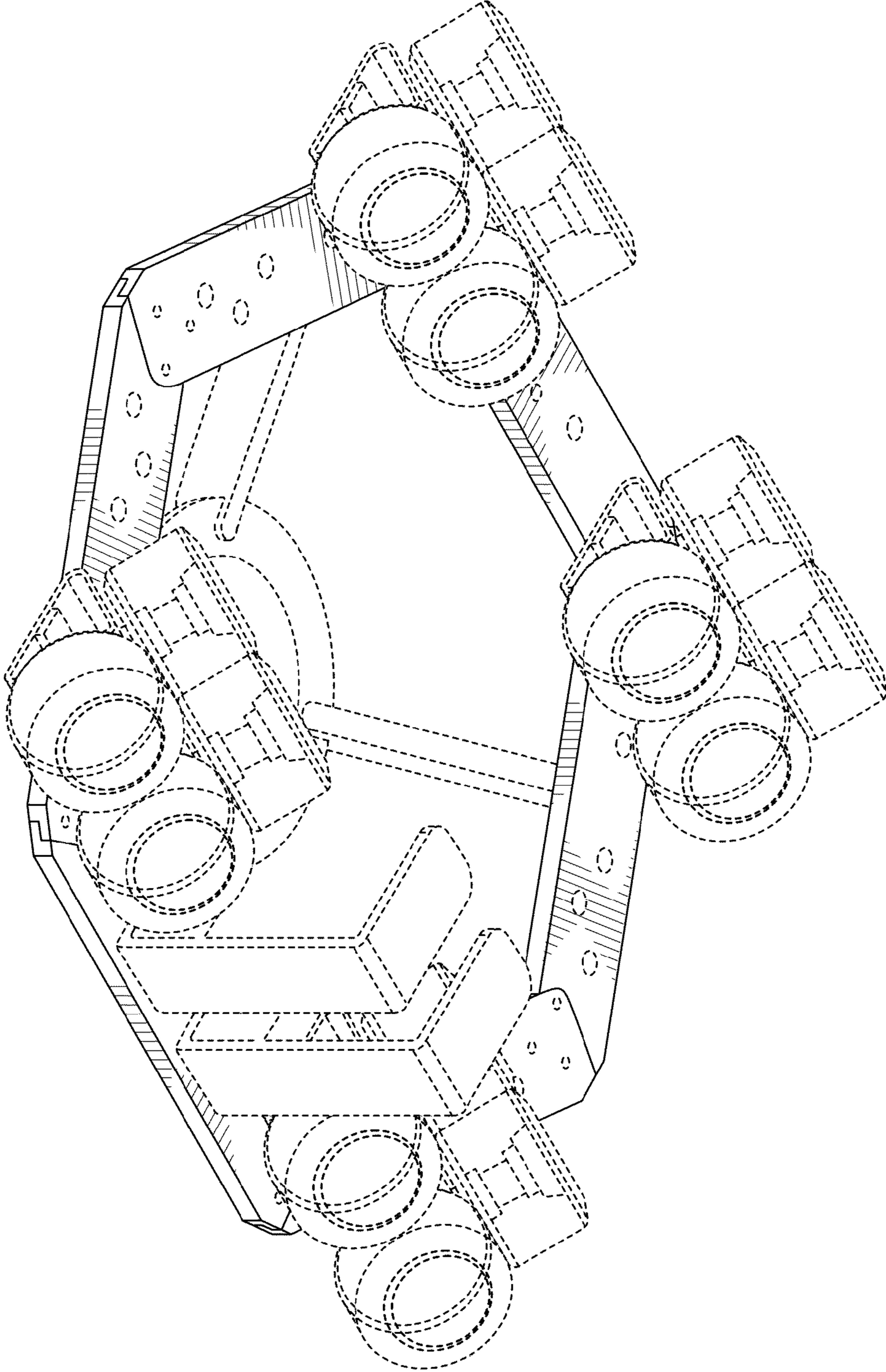


FIG. 2

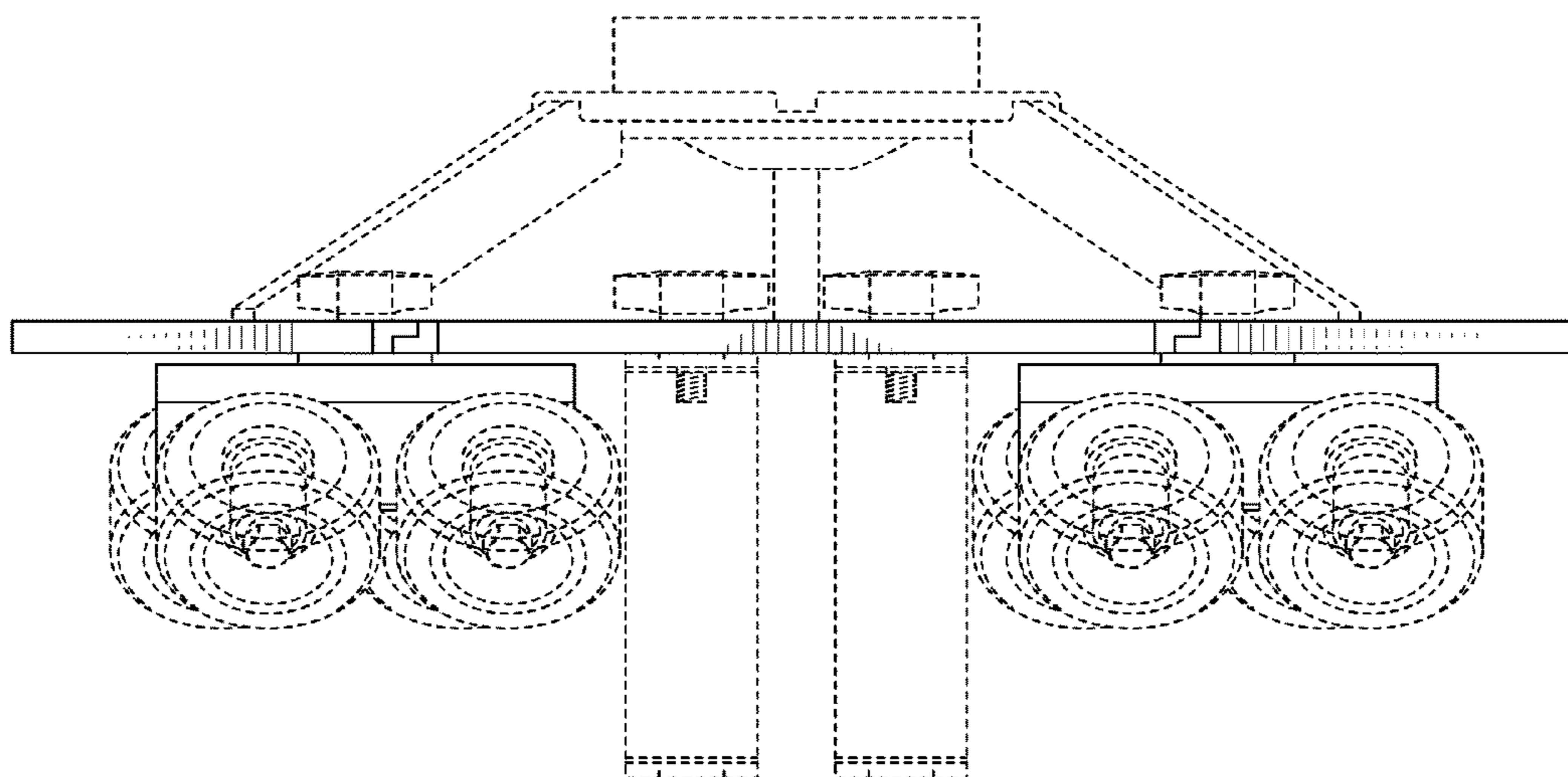


FIG. 3

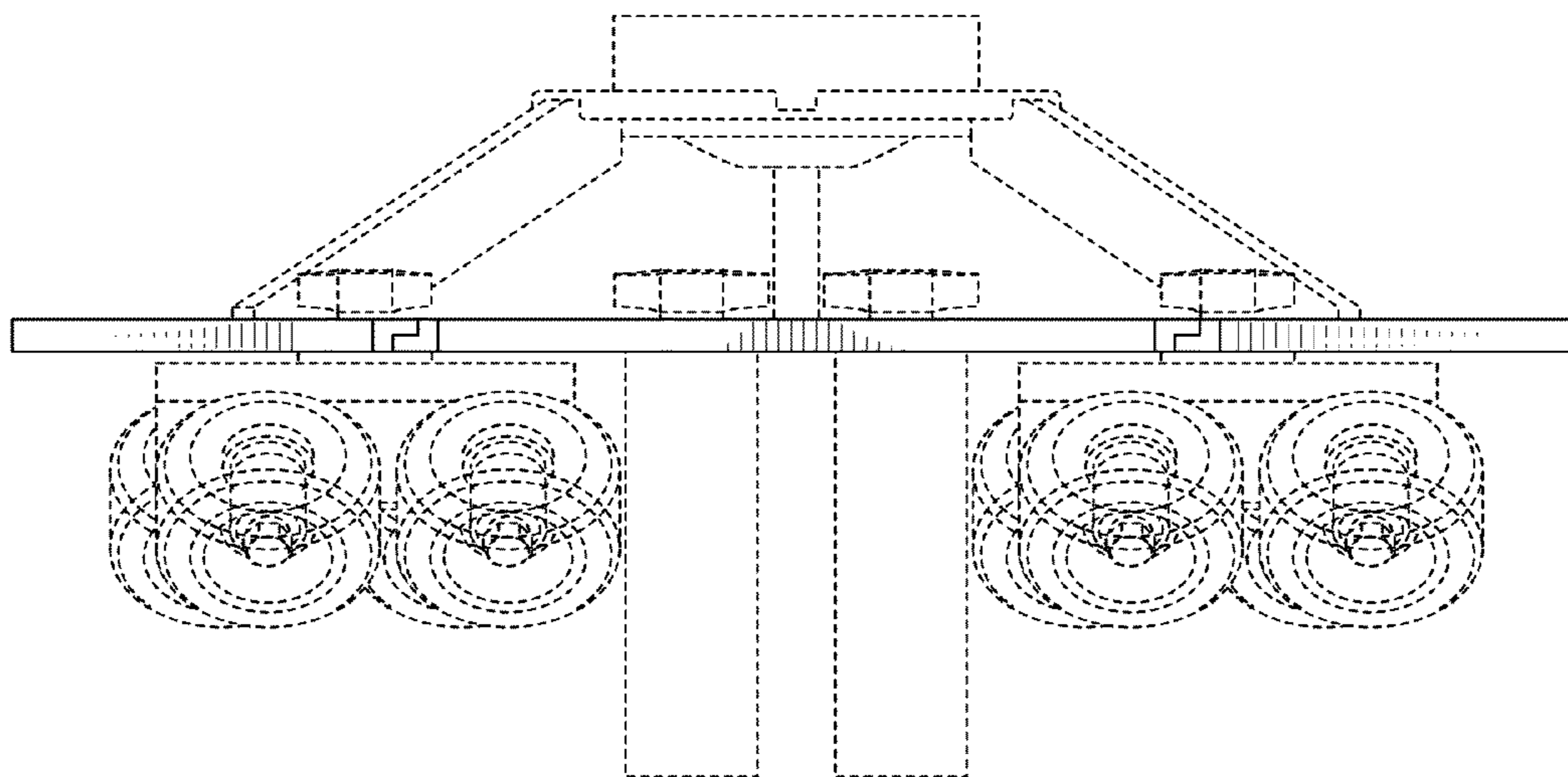


FIG. 4

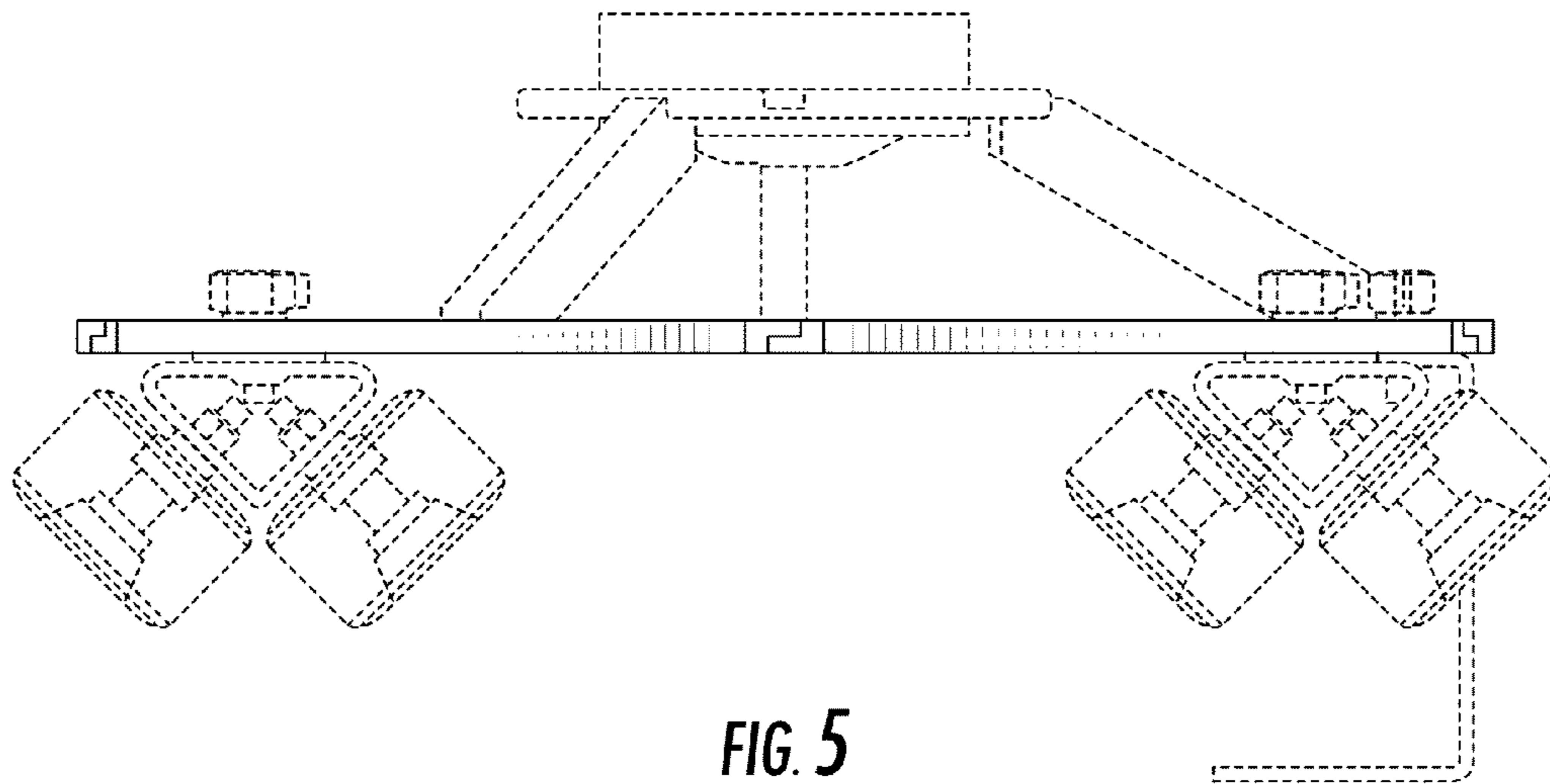


FIG. 5

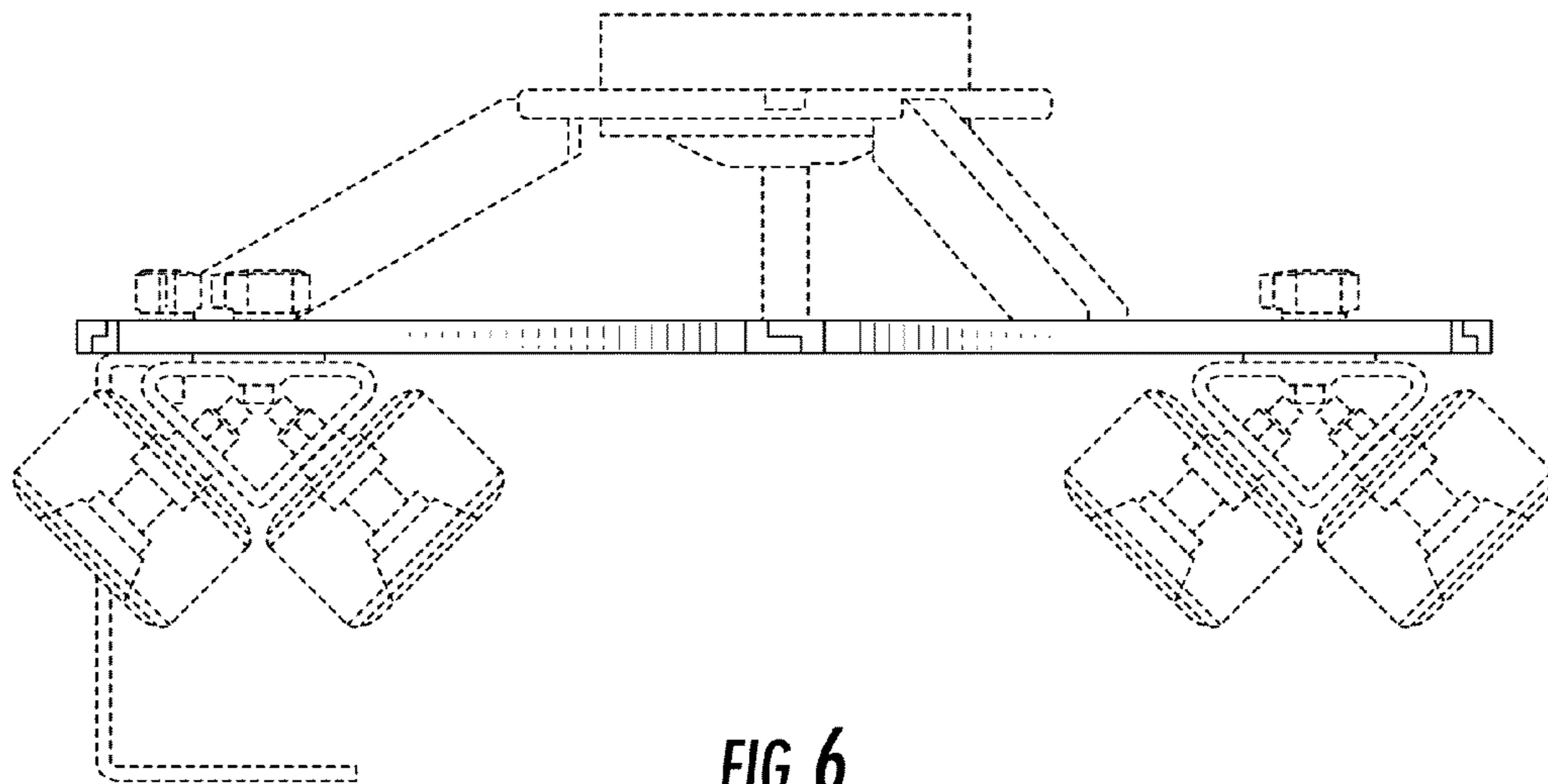


FIG. 6

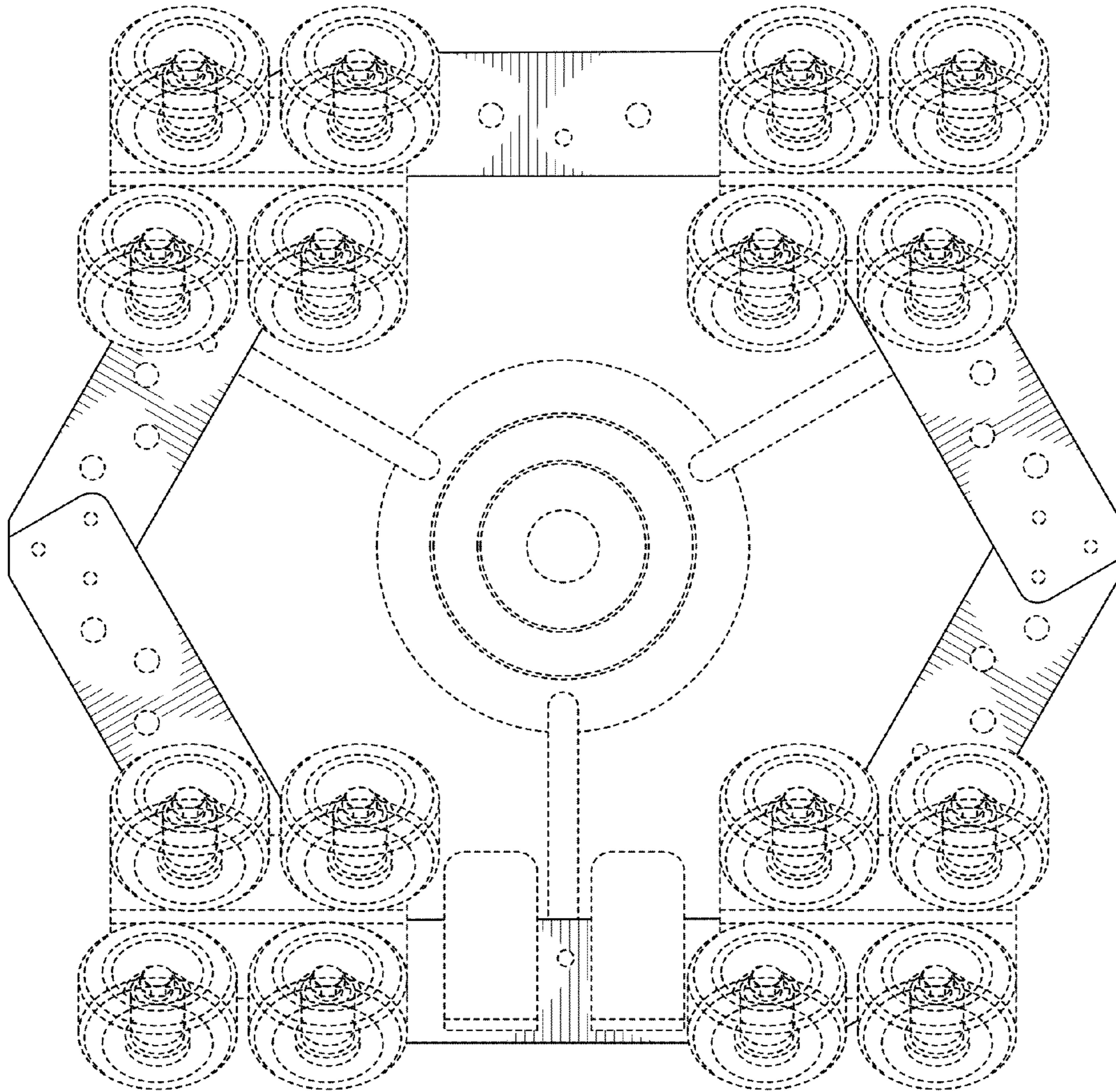


FIG. 7

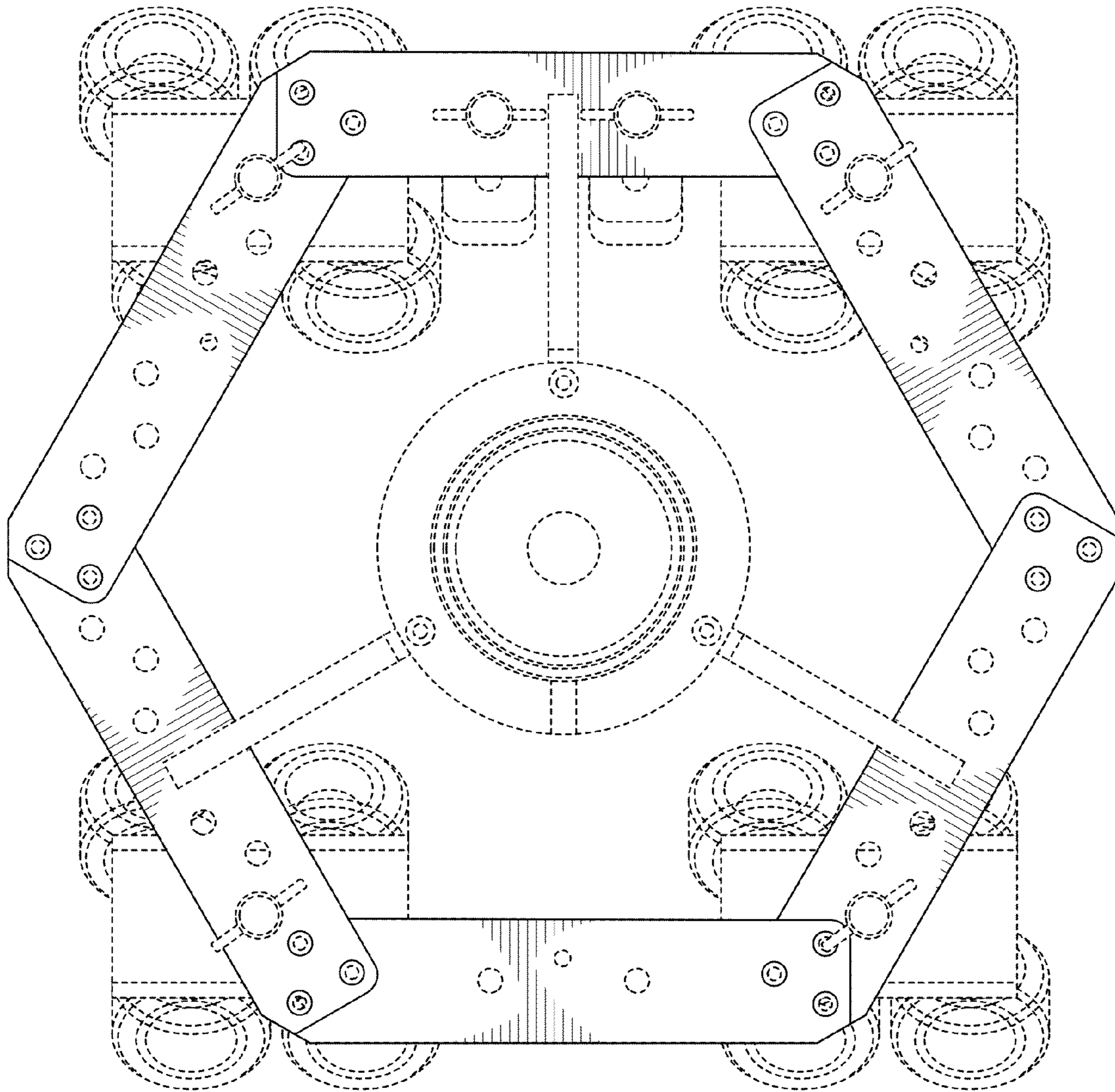


FIG. 8