



US00D726984S

(12) **United States Design Patent**  
**Lewison**

(10) **Patent No.:** **US D726,984 S**  
(45) **Date of Patent:** **\*\* Apr. 14, 2015**

(54) **BUCKET**

(71) Applicant: **Wesley Lewison**, Huntington Beach, CA (US)

(72) Inventor: **Wesley Lewison**, Huntington Beach, CA (US)

(\*\*) Term: **14 Years**

(21) Appl. No.: **29/484,166**

(22) Filed: **Mar. 6, 2014**

(51) **LOC (10) Cl.** ..... **07-07**

(52) **U.S. Cl.**  
USPC ..... **D32/53**

(58) **Field of Classification Search**  
USPC ..... D32/53, 53.1, 54; 15/260-264; 220/904, 659

See application file for complete search history.

(56) **References Cited**

**U.S. PATENT DOCUMENTS**

3,804,289 A \* 4/1974 Churan ..... 220/782  
D683,510 S \* 5/2013 Schick ..... D32/53

\* cited by examiner

*Primary Examiner* — Robin V Webster

(74) *Attorney, Agent, or Firm* — Mintz Levin Cohn Ferris Glovsky and Popeo, P.C.

(57) **CLAIM**

The ornamental design for a bucket, as shown and described.

**DESCRIPTION**

FIG. 1 is a first front perspective view of a bucket, showing the new design with a clear shield;

FIG. 2 is a second front perspective view of a bucket, showing the new design without the clear shield;

FIG. 3 is a front view of the bucket with the clear shield;

FIG. 4 is a right view of the bucket with the clear shield;

FIG. 5 is a back view of the bucket;

FIG. 6 is a left view of the bucket with the clear shield;

FIG. 7 is a top view of the bucket;

FIG. 8 is a bottom view of the bucket;

FIG. 9 is a third front perspective view of the bucket, showing the new design with a clear shield and with a lid element disposed thereon;

FIG. 10 is a fourth front perspective view of a bucket, showing the new design without the clear shield and with the lid element disposed thereon;

FIG. 11 is a front view of the bucket with the clear shield and with the lid element disposed thereon;

FIG. 12 is a right view of the bucket with the clear shield and with the lid element disposed thereon;

FIG. 13 is a left view of the bucket with the clear shield and with the lid element disposed thereon;

FIG. 14 is a back view of the bucket with the lid element disposed thereon;

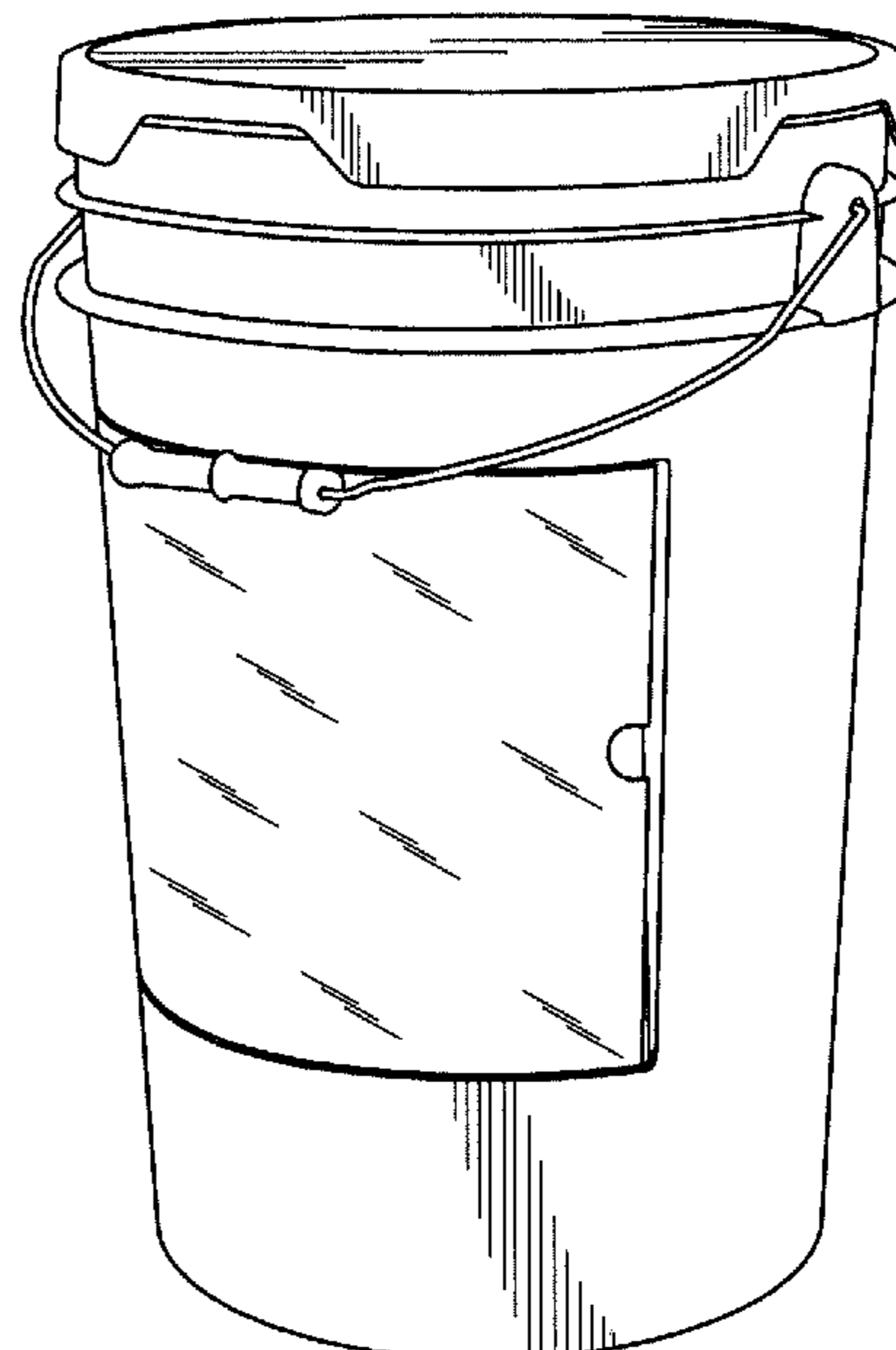
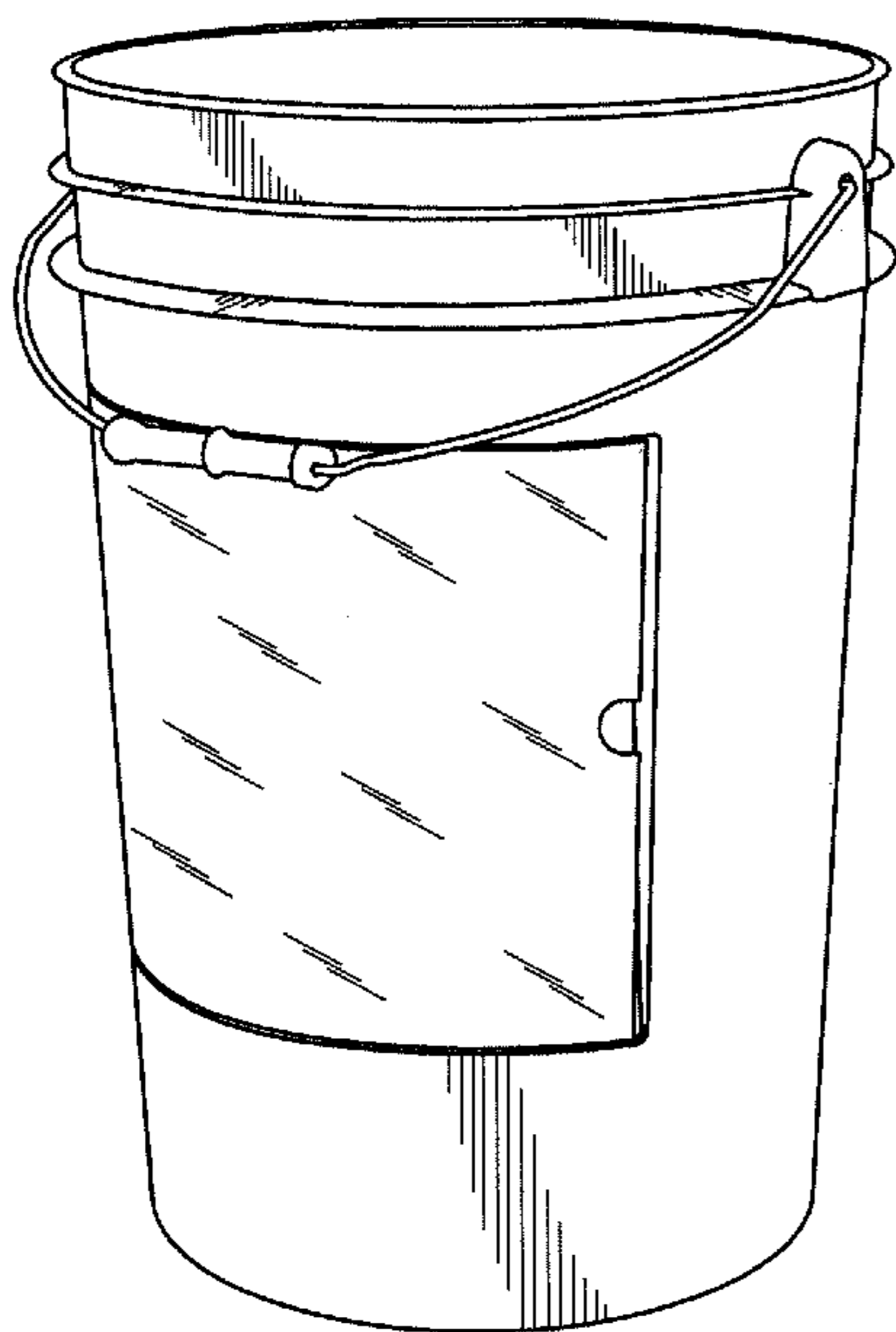
FIG. 15 is a top view of the bucket with the lid element disposed thereon;

FIG. 16 is a third front perspective view of the bucket illustrating the clear shield; and,

FIG. 17 is a fourth front perspective view of the bucket, showing the new design with the clear shield and insertable sheet placed thereunder with optional graphical elements disposed thereon.

The broken lines in the drawings are included for the purpose of illustrating environmental structure and form no part of the claimed design. The clear shield is meant to be at least partially transparent.

**1 Claim, 17 Drawing Sheets**



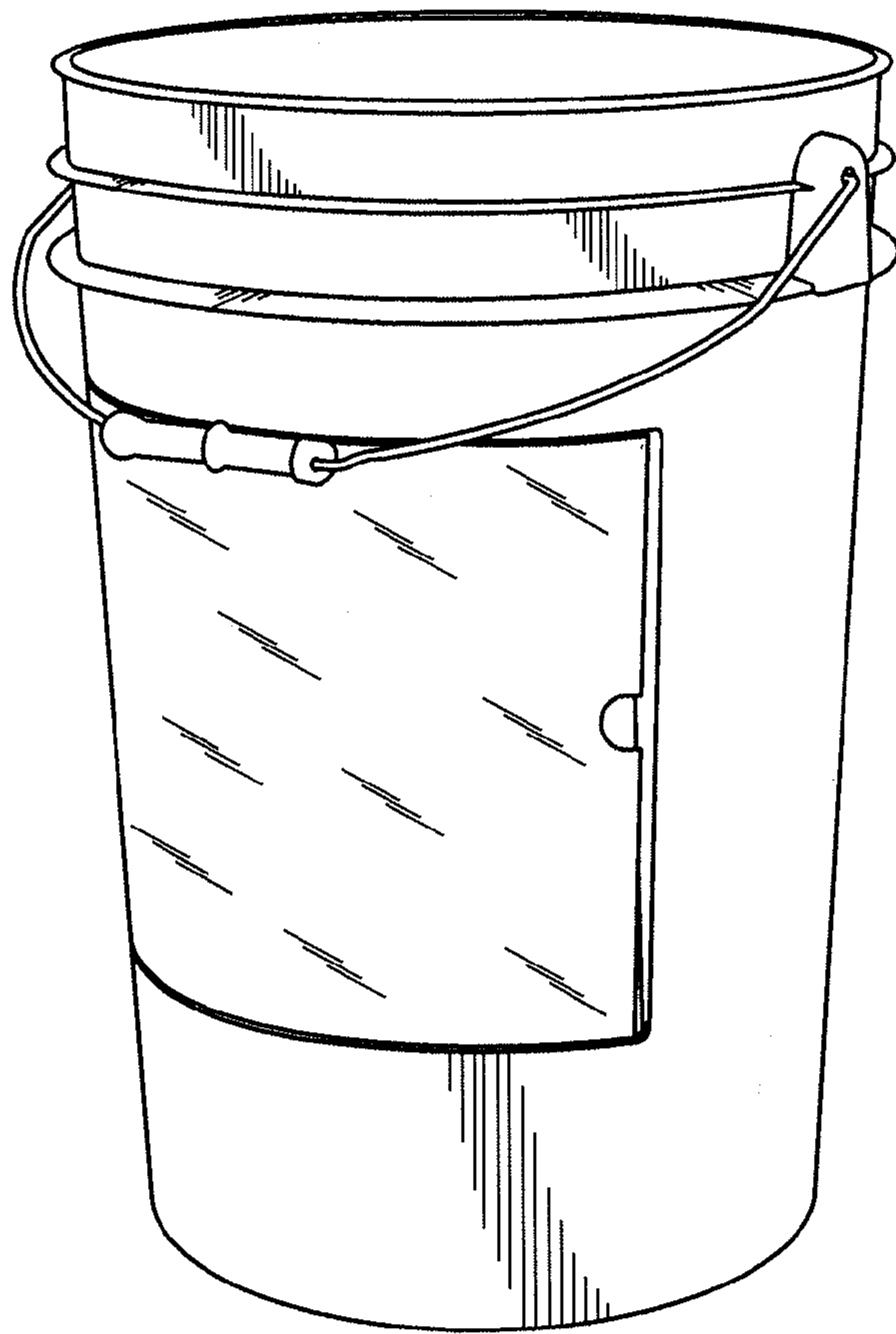


FIG. 1

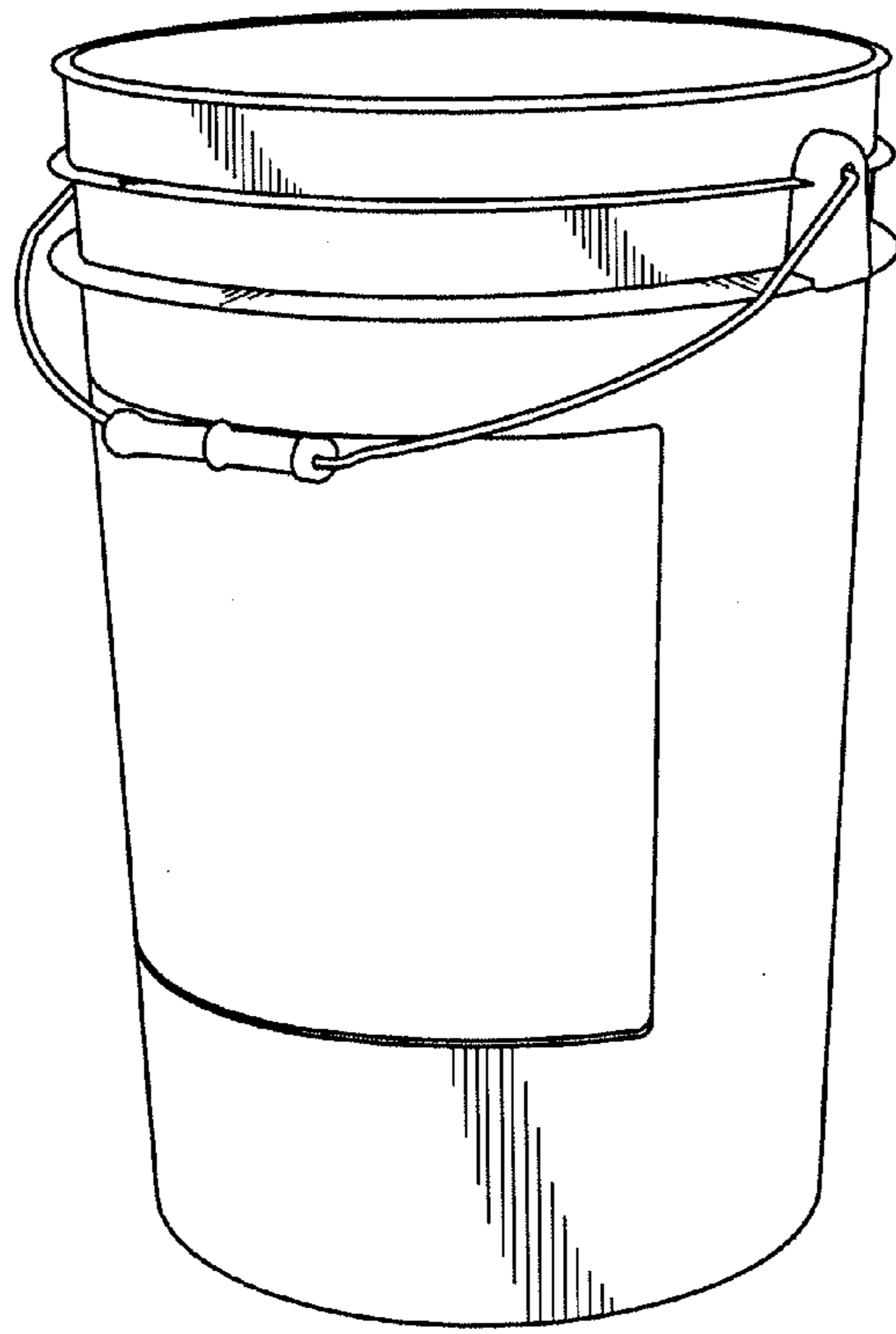


FIG. 2

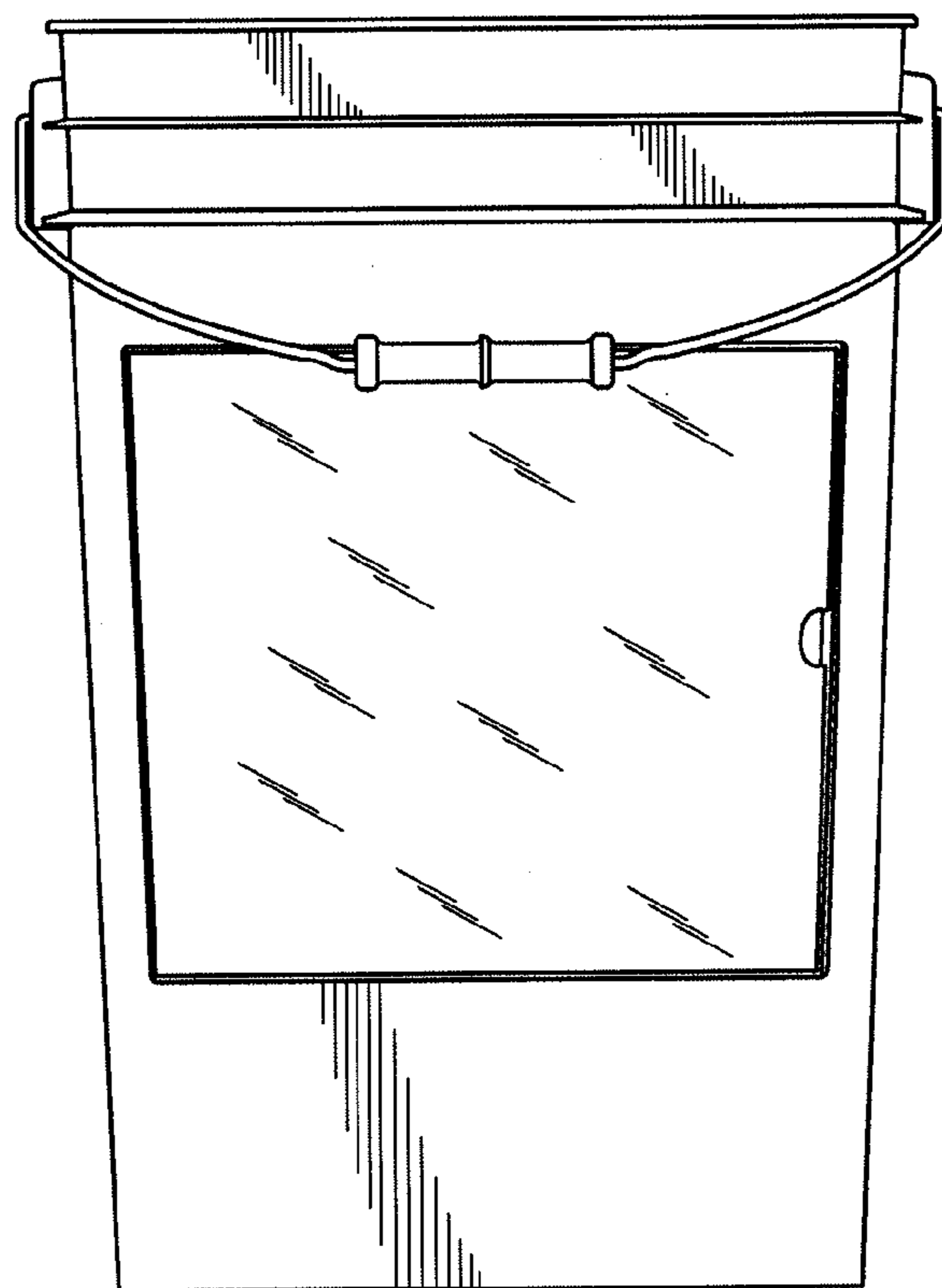


FIG. 3

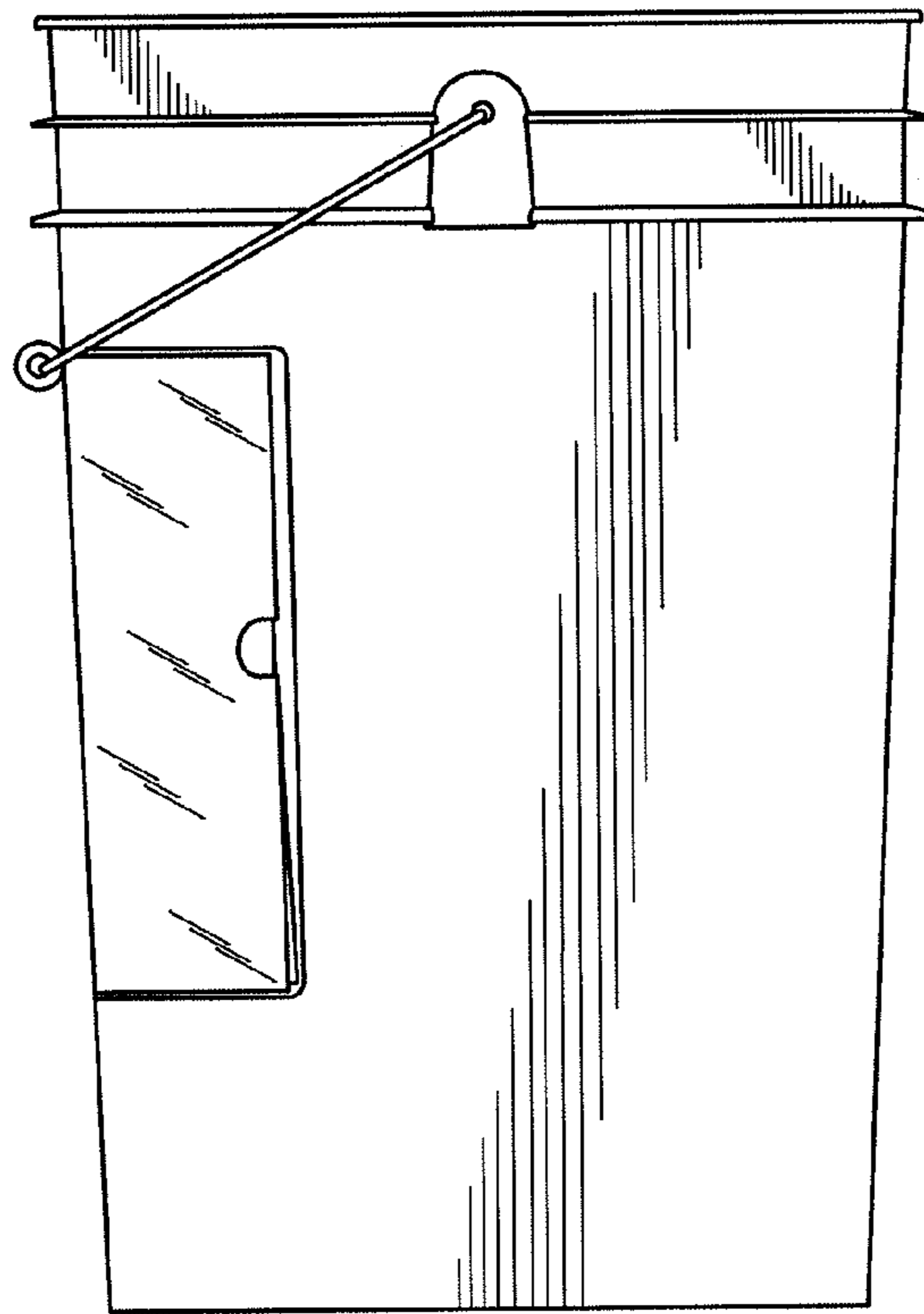


FIG. 4

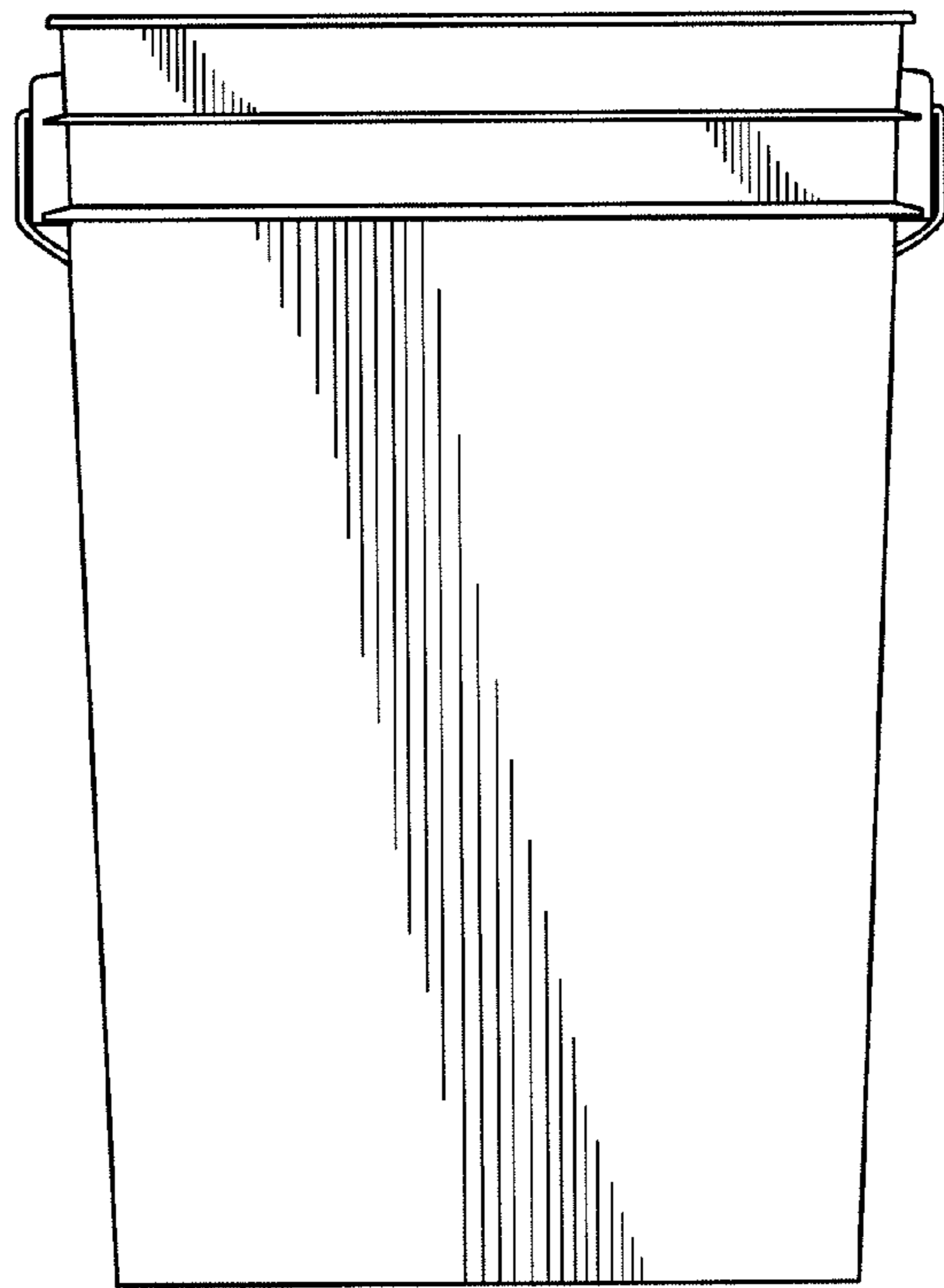


FIG. 5

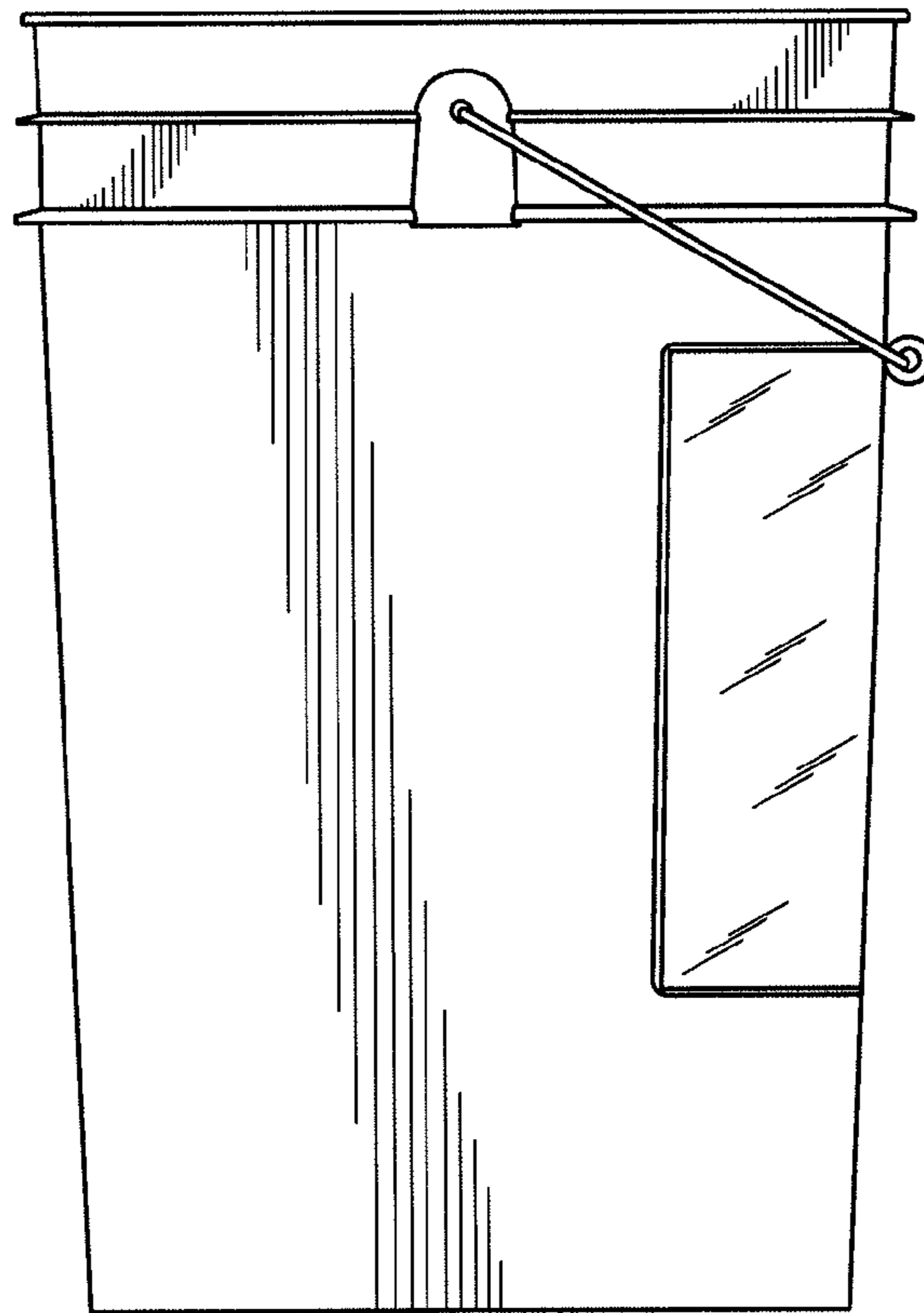


FIG. 6

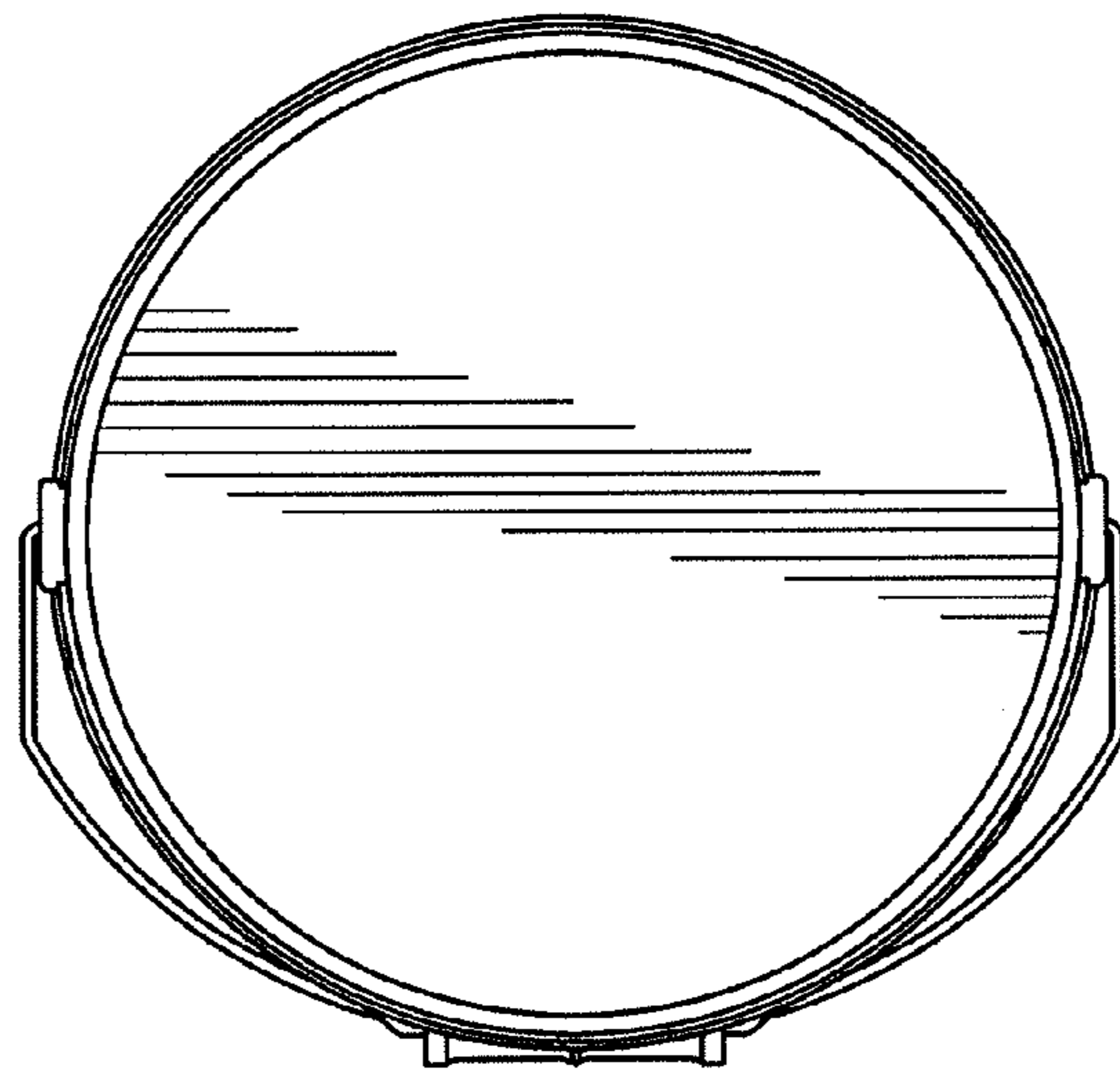


FIG. 7



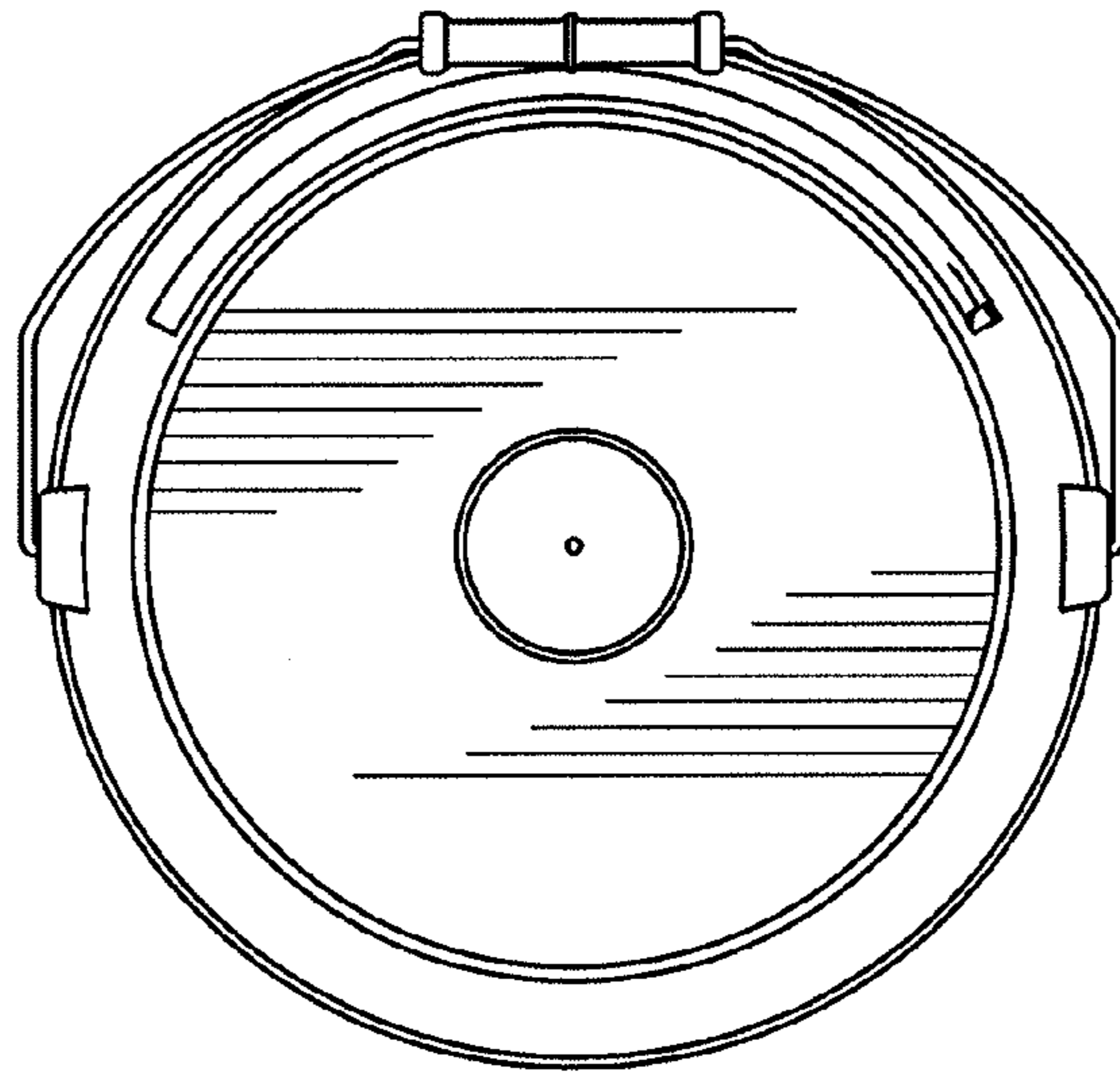


FIG. 8

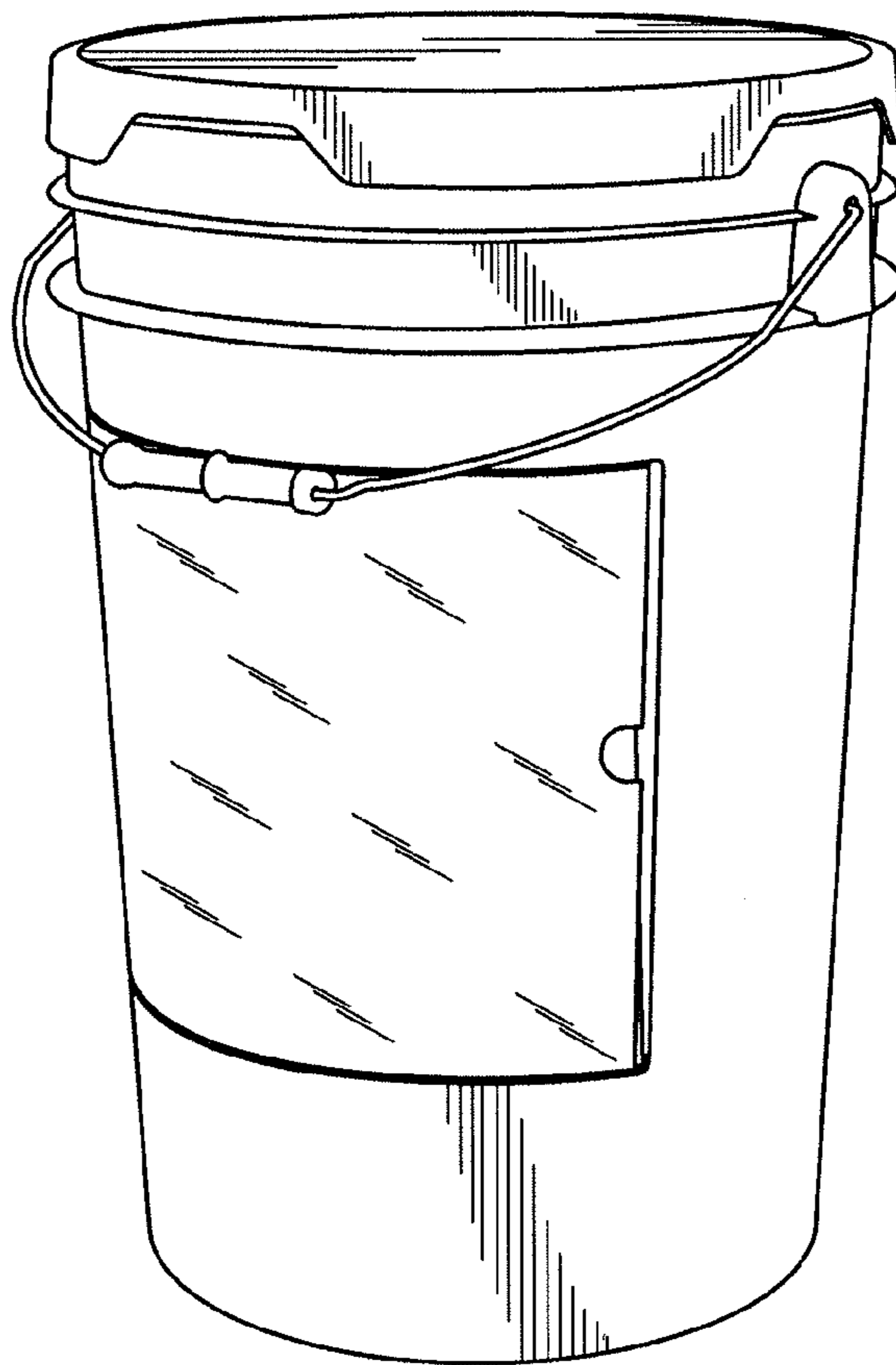


FIG. 9

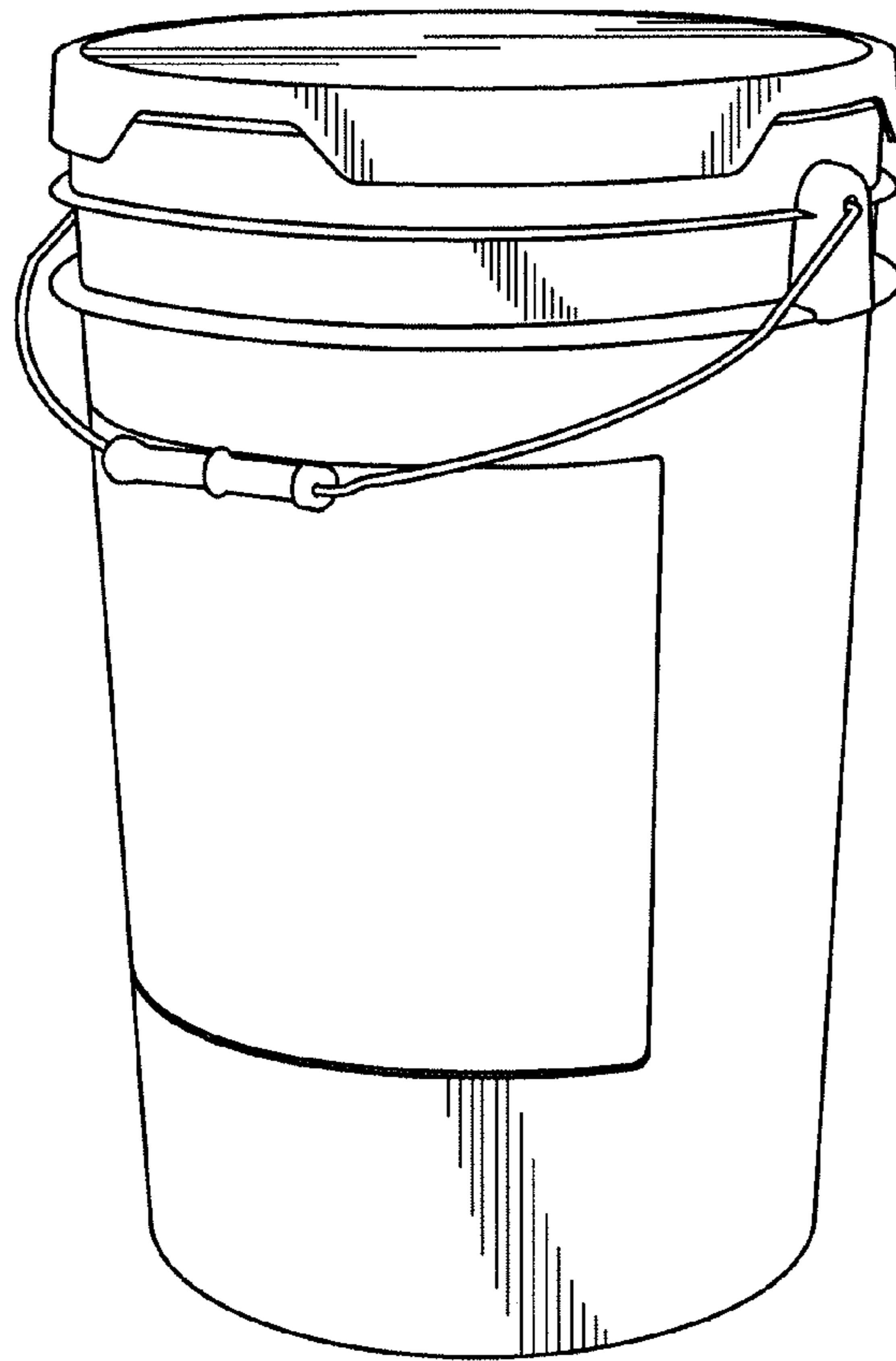


FIG. 10

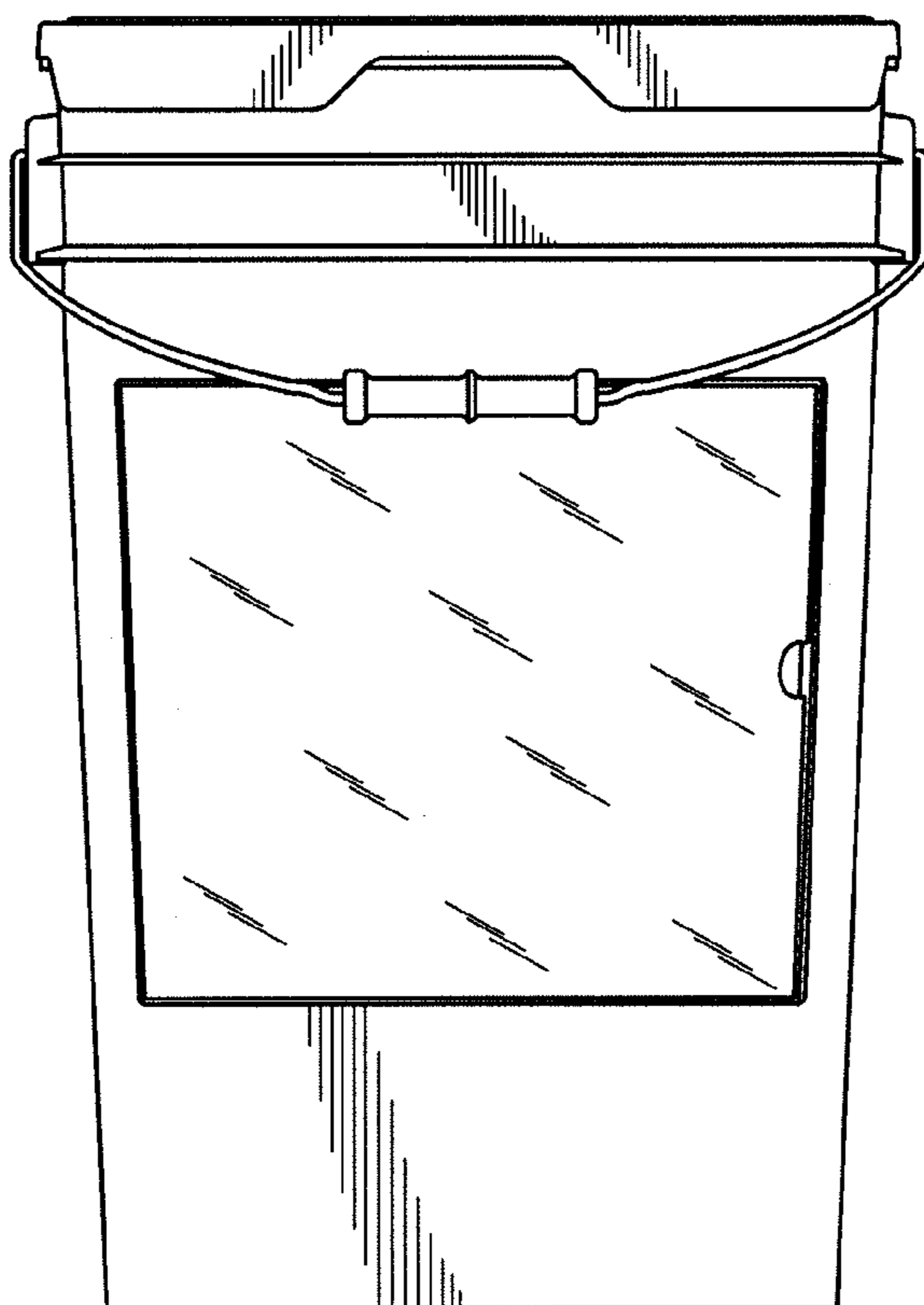


FIG. 11

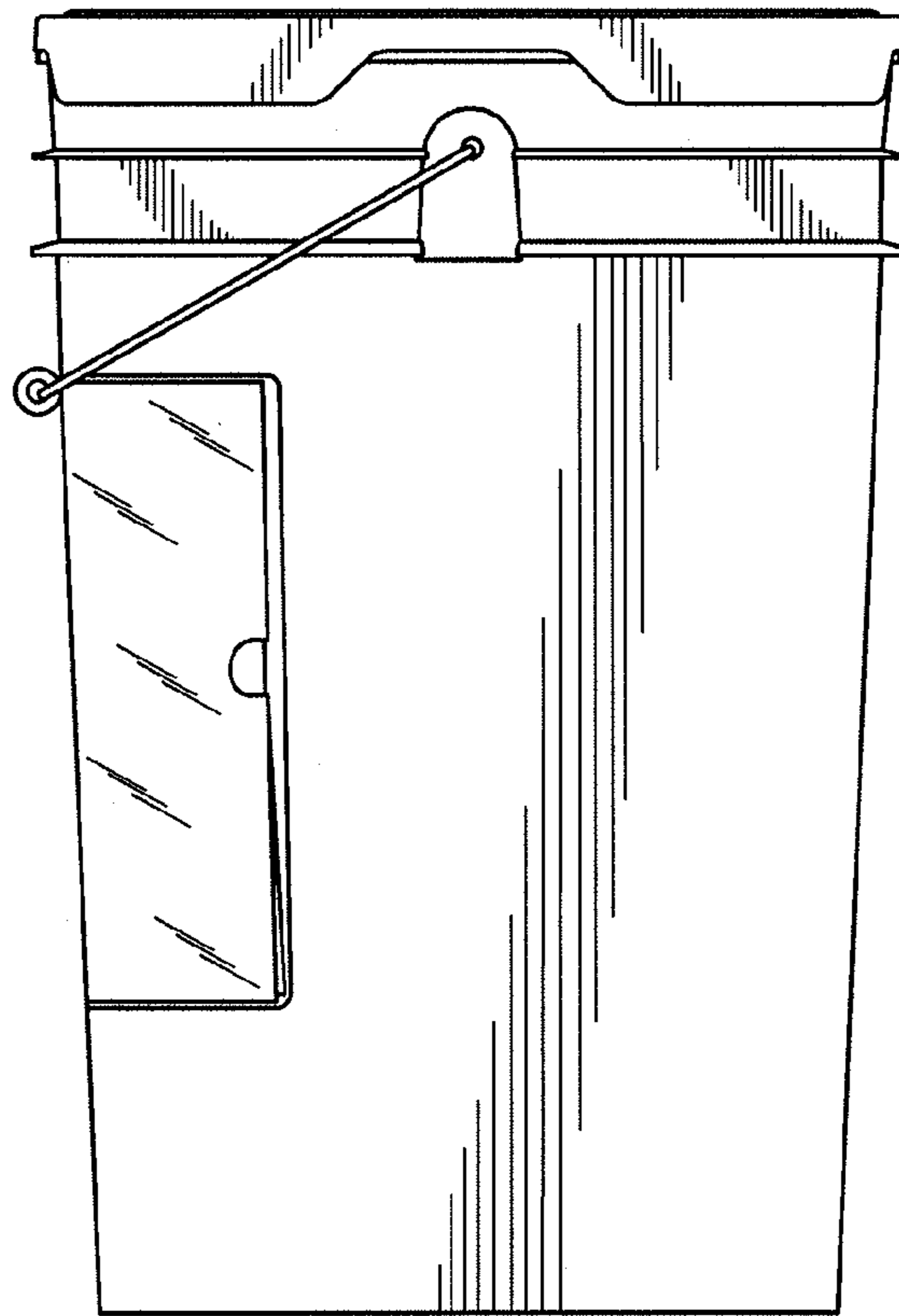


FIG. 12

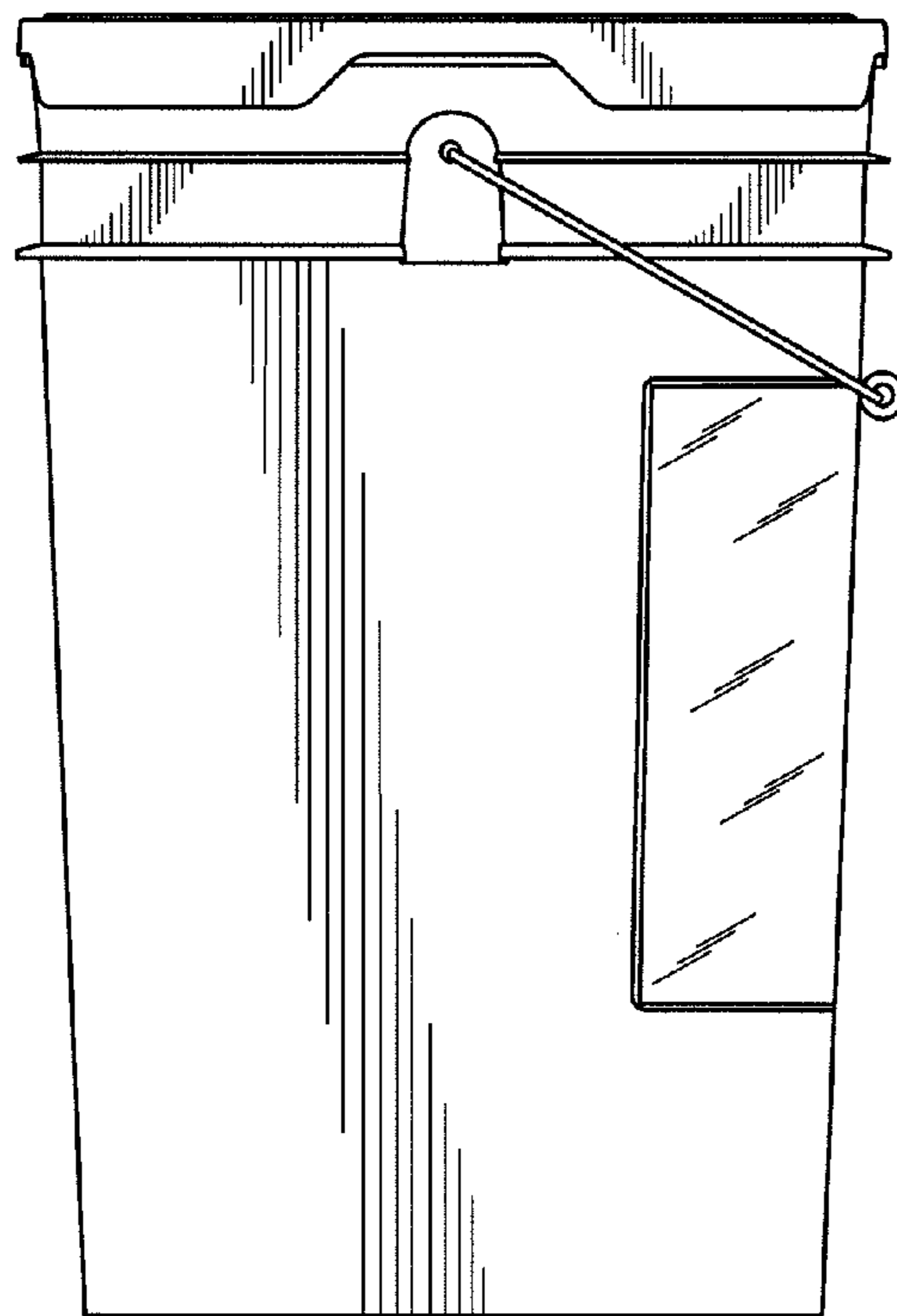


FIG. 13

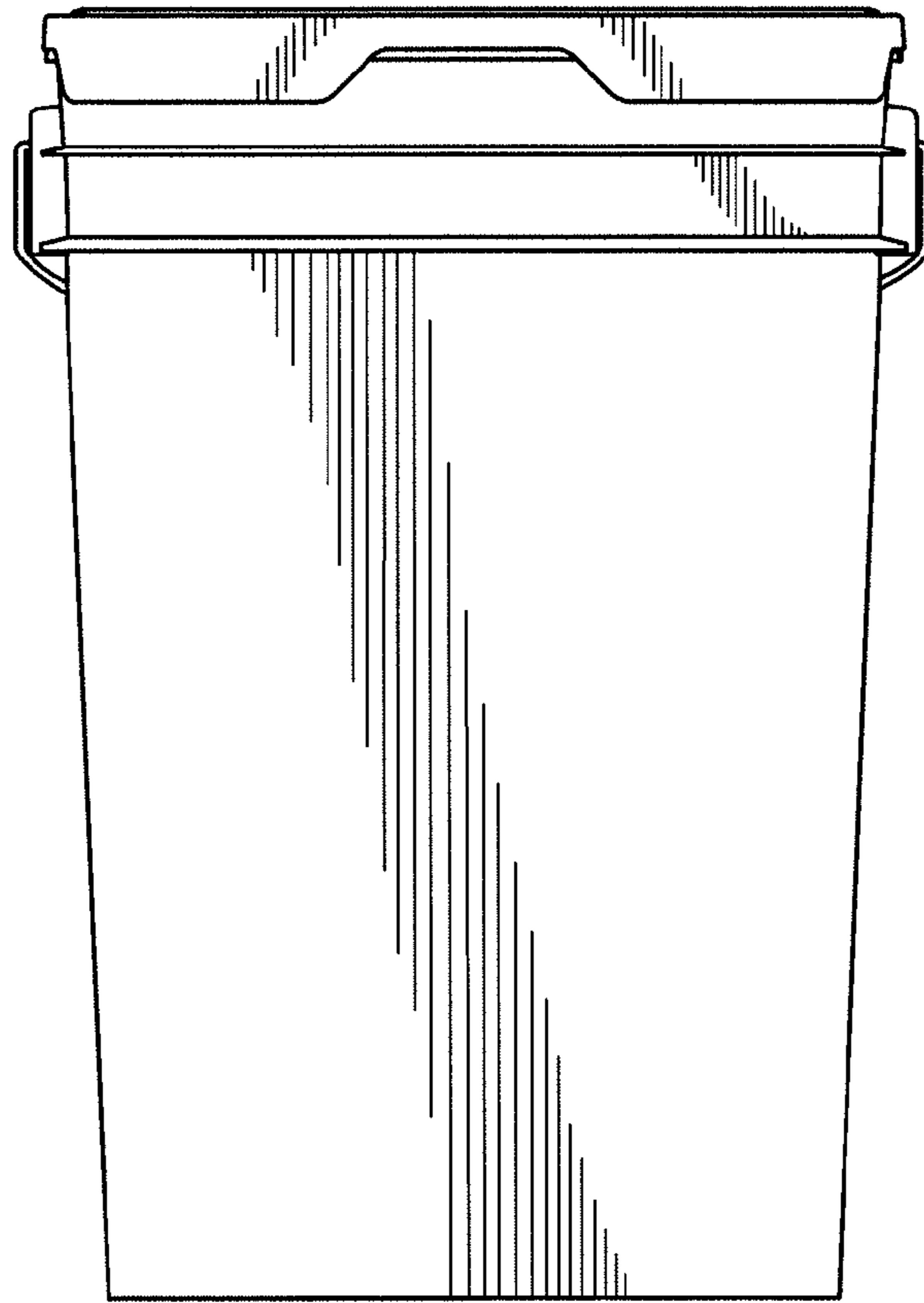


FIG. 14

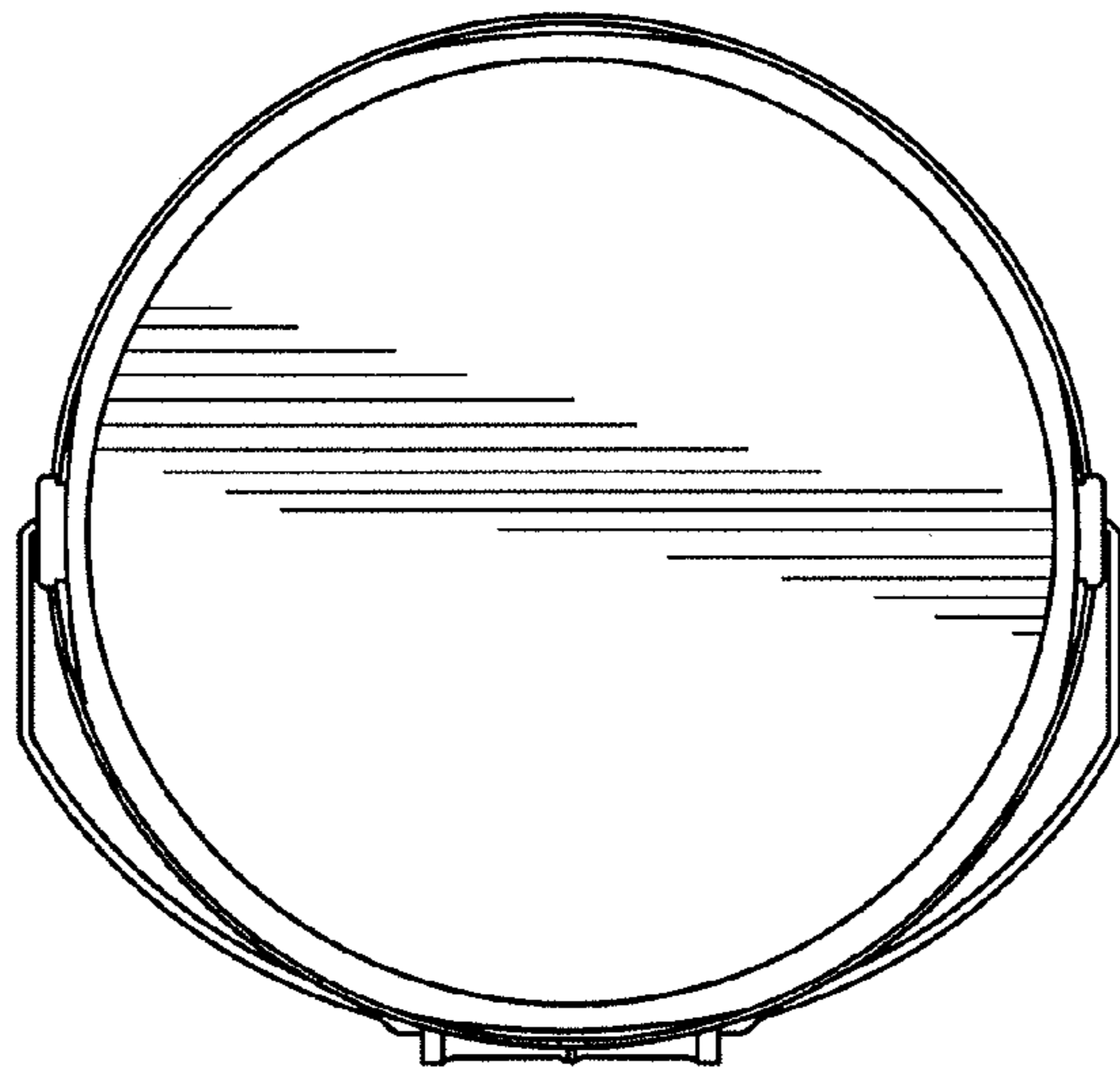


FIG. 15



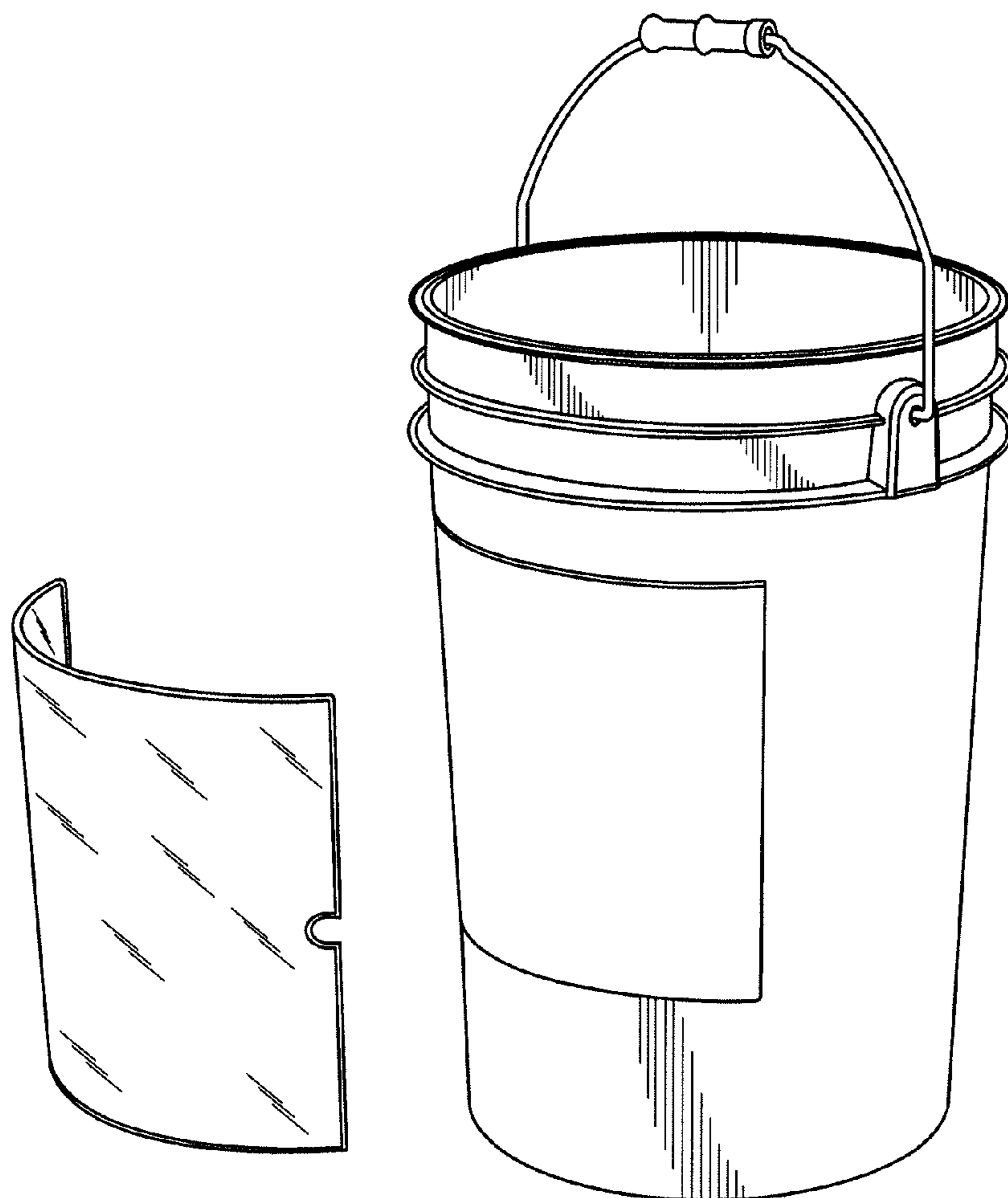


FIG. 16

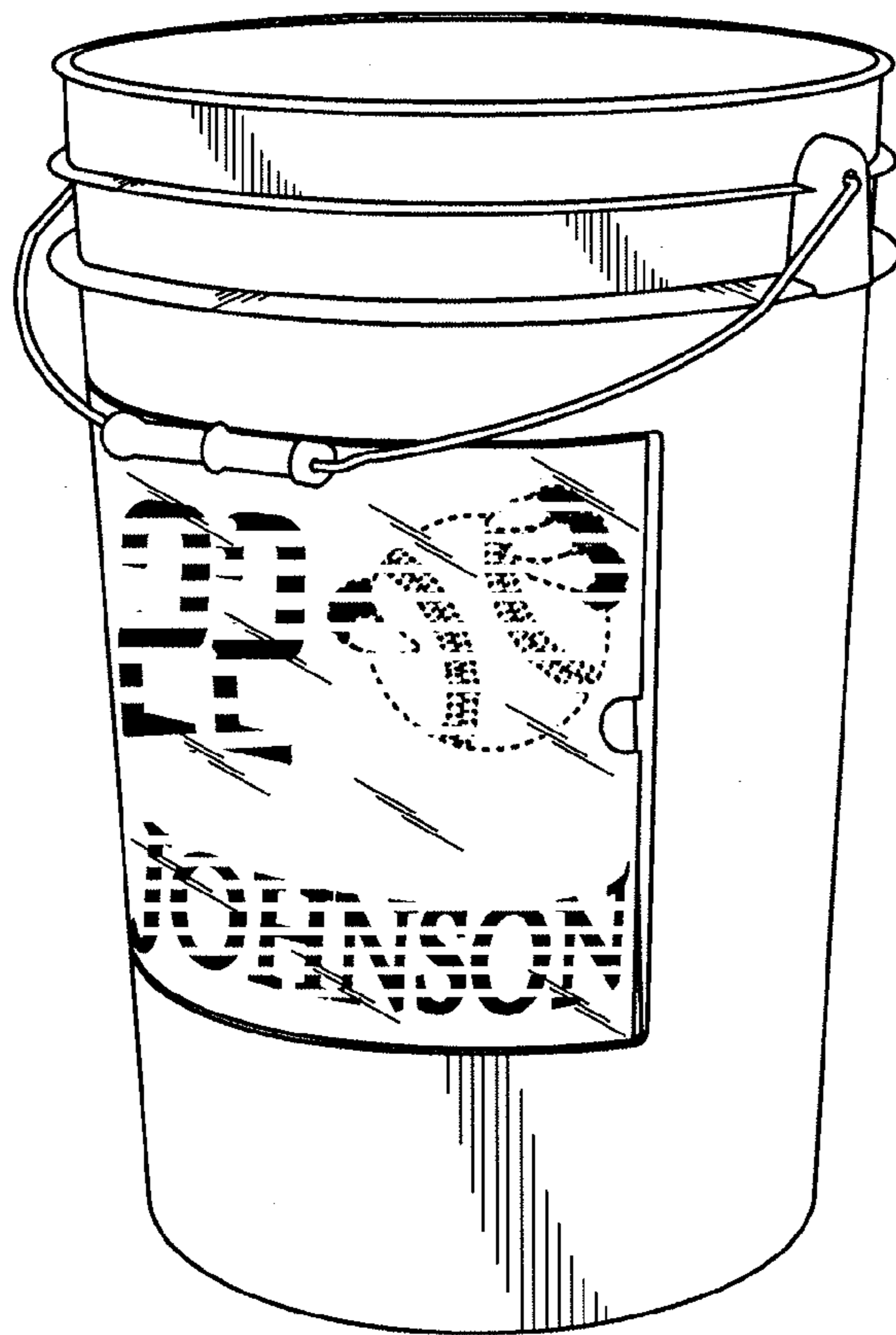


FIG. 17