

US00D726981S

(12) **United States Design Patent**  
**Yessin**

(10) **Patent No.:** **US D726,981 S**

(45) **Date of Patent:** **\*\* Apr. 14, 2015**

(54) **BOTTLE DRYER STAND**

(71) Applicant: **Dart Industries Inc.**, Orlando, FL (US)

(72) Inventor: **Julie L. Yessin**, Orlando, FL (US)

(73) Assignee: **Dart Industries Inc.**, Orlando, FL (US)

(\*\*) Term: **14 Years**

(21) Appl. No.: **29/437,867**

(22) Filed: **Nov. 21, 2012**

(51) **LOC (10) Cl.** ..... **15-05**

(52) **U.S. Cl.**

USPC ..... **D32/25**

(58) **Field of Classification Search**

USPC ..... D28/18; D8/71; D6/534; D30/129, 130;  
D7/396.1; 119/61.5; 220/212

See application file for complete search history.

(56) **References Cited**

**U.S. PATENT DOCUMENTS**

D199,046	S	*	9/1964	Felske	.....	D28/18
D290,221	S	*	6/1987	Wilson et al.	.....	D8/71
D370,147	S	*	5/1996	Petronio	.....	D6/534
D389,373	S	*	1/1998	Belue	.....	D7/354
D412,605	S	*	8/1999	Sharon	.....	D30/129
D415,854	S	*	10/1999	Marcus	.....	D28/18
D417,818	S		12/1999	Lillelund et al.		
D432,860	S	*	10/2000	Hamilton	.....	D7/396.1
D448,978	S		10/2001	Isbell		
D590,109	S	*	4/2009	Anderson et al.	.....	D30/129
D597,262	S	*	7/2009	Shamoon et al.	.....	D30/130
D625,885	S	*	10/2010	Bianchi	.....	D30/129
D648,904	S	*	11/2011	Tedaldi et al.	.....	D30/129
D655,054	S	*	2/2012	Lipscomb et al.	.....	D30/129
2005/0039689	A1	*	2/2005	Mossmer	.....	119/61.5
2005/0173434	A1	*	8/2005	O'Neal	.....	220/212
2007/0089678	A1	*	4/2007	Greenwood	.....	119/61.5

2009/0126641	A1	*	5/2009	Anderson et al.	.....	119/61.5
2010/0012042	A1	*	1/2010	Lee	.....	119/61.5
2010/0275852	A1	*	11/2010	Lipscomb et al.	.....	119/61.5
2012/0305598	A1		12/2012	Costello		

**FOREIGN PATENT DOCUMENTS**

CN 301628039 \* 7/2011

**OTHER PUBLICATIONS**

Slow Feed Dog Bowls, Announced Mar. 2, 2011, [ Site Visited Feb. 3, 2015] <https://richandrobin.wordpress.com/page/2/>.\*

Cixi City Zhouxiang Yuekai Pet Products Factory: Pet Bowls Announced 2009, [ Site Visited Feb. 3, 2015] [http://yuekai.petsglobal.com/en/p\\_productview.asp?productid=9363](http://yuekai.petsglobal.com/en/p_productview.asp?productid=9363).\*

\* cited by examiner

*Primary Examiner* — Eric Goodman

*Assistant Examiner* — Luqman McNeil

(74) *Attorney, Agent, or Firm* — Taylor J. Ross

(57) **CLAIM**

The ornamental design for a bottle dryer stand, as shown and described.

**DESCRIPTION**

FIG. 1 is a top, side and front perspective view of a bottle dryer stand showing my new design;

FIG. 2 is a top plan view thereof.

FIG. 3 is a bottom plan view thereof;

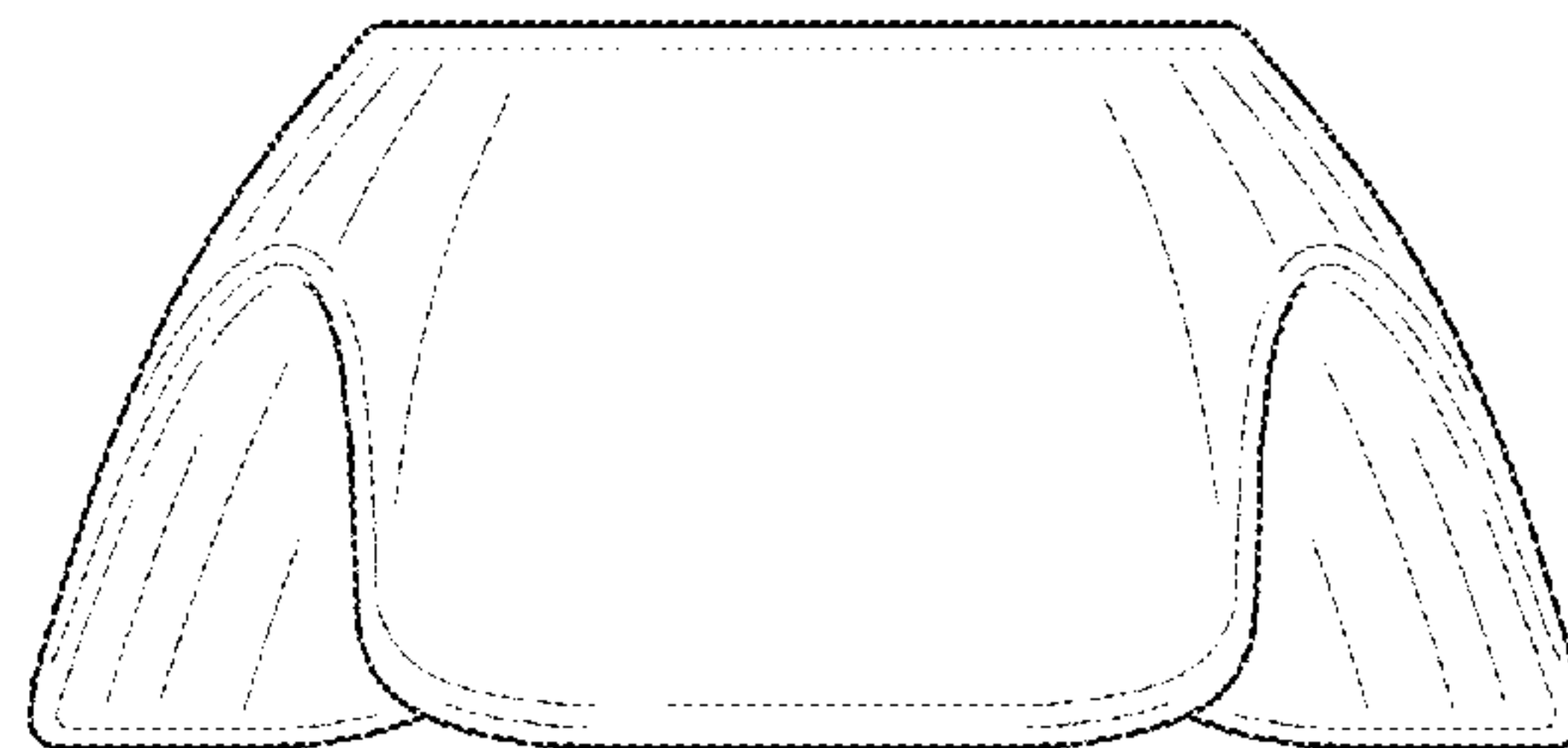
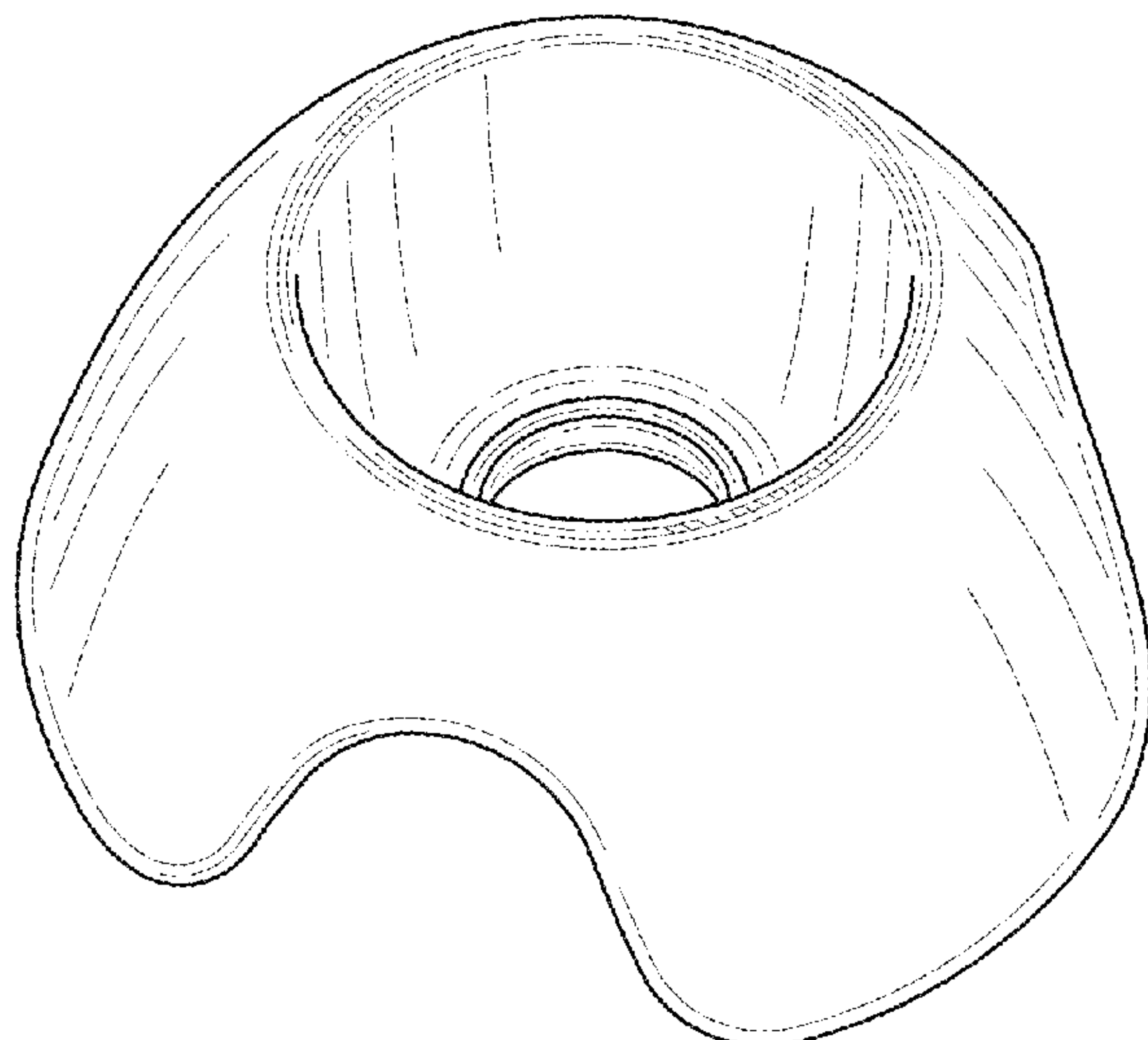
FIG. 4 is a front elevation view thereof;

FIG. 5 rear elevation view thereof;

FIG. 6 is a left side elevation view, the right side elevation being a mirror image thereof; and,

FIG. 7 is cross-sectional view taken along line 7-7 of FIG. 2.

**1 Claim, 3 Drawing Sheets**



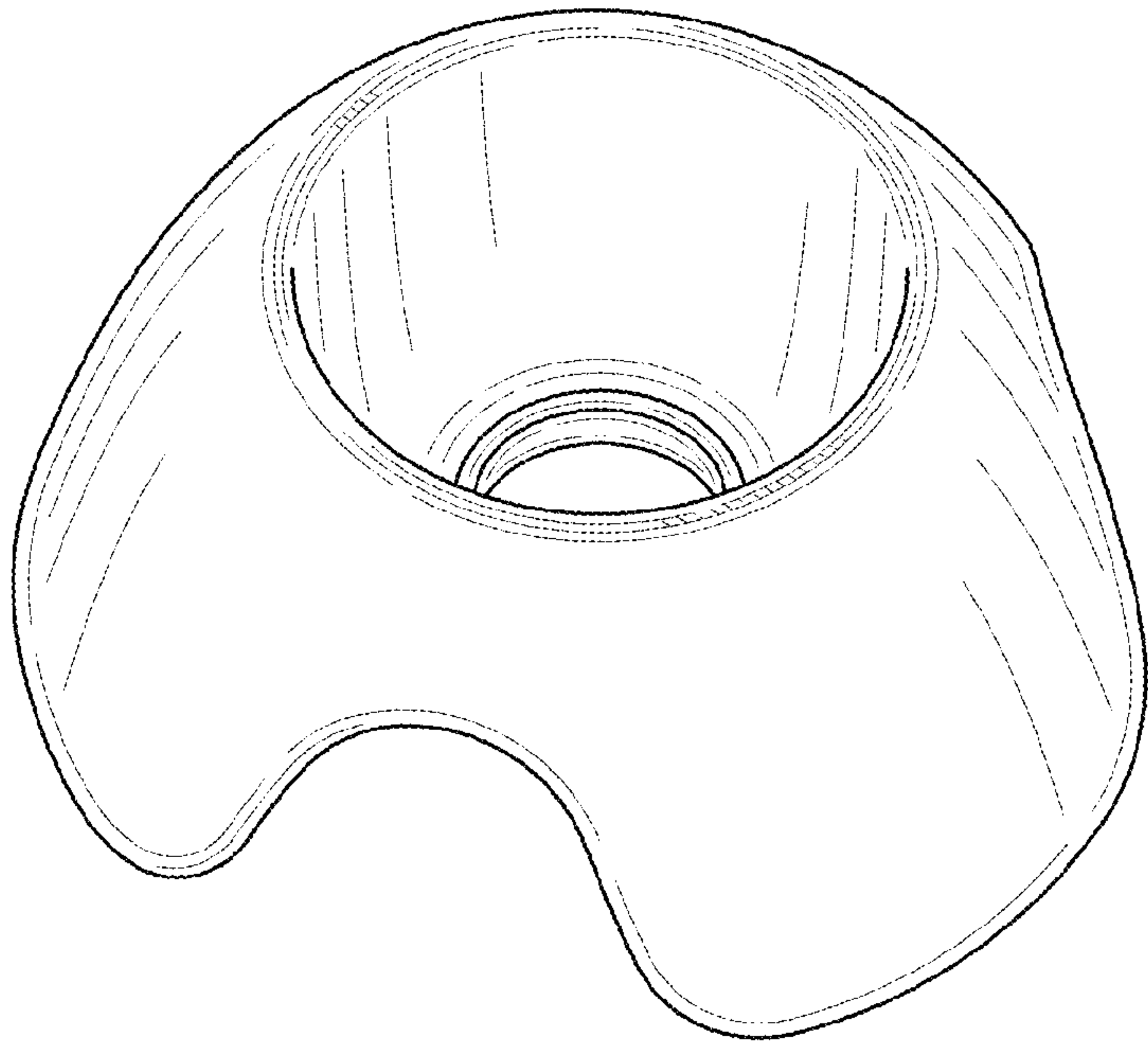


FIG. 1

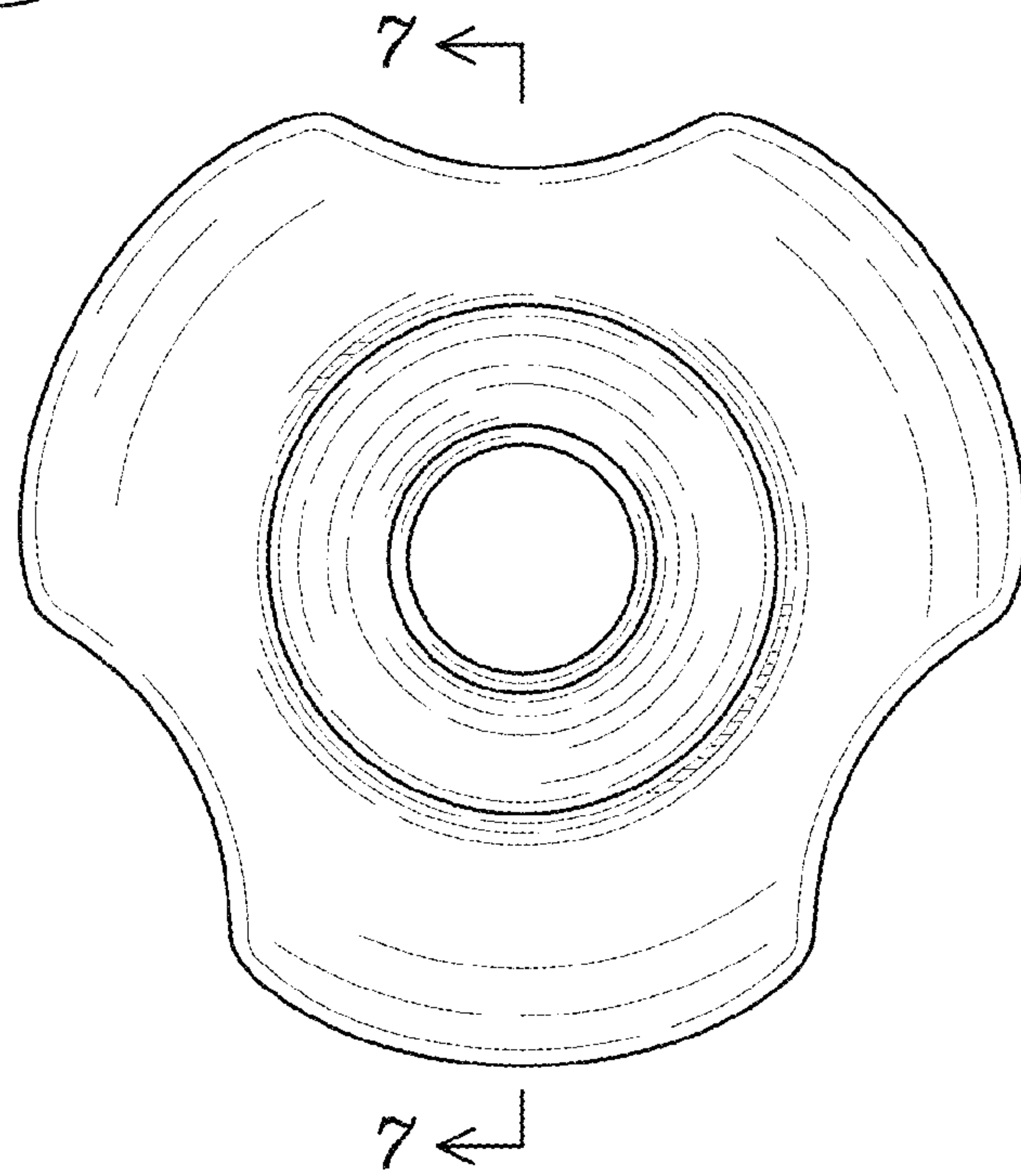


FIG. 2

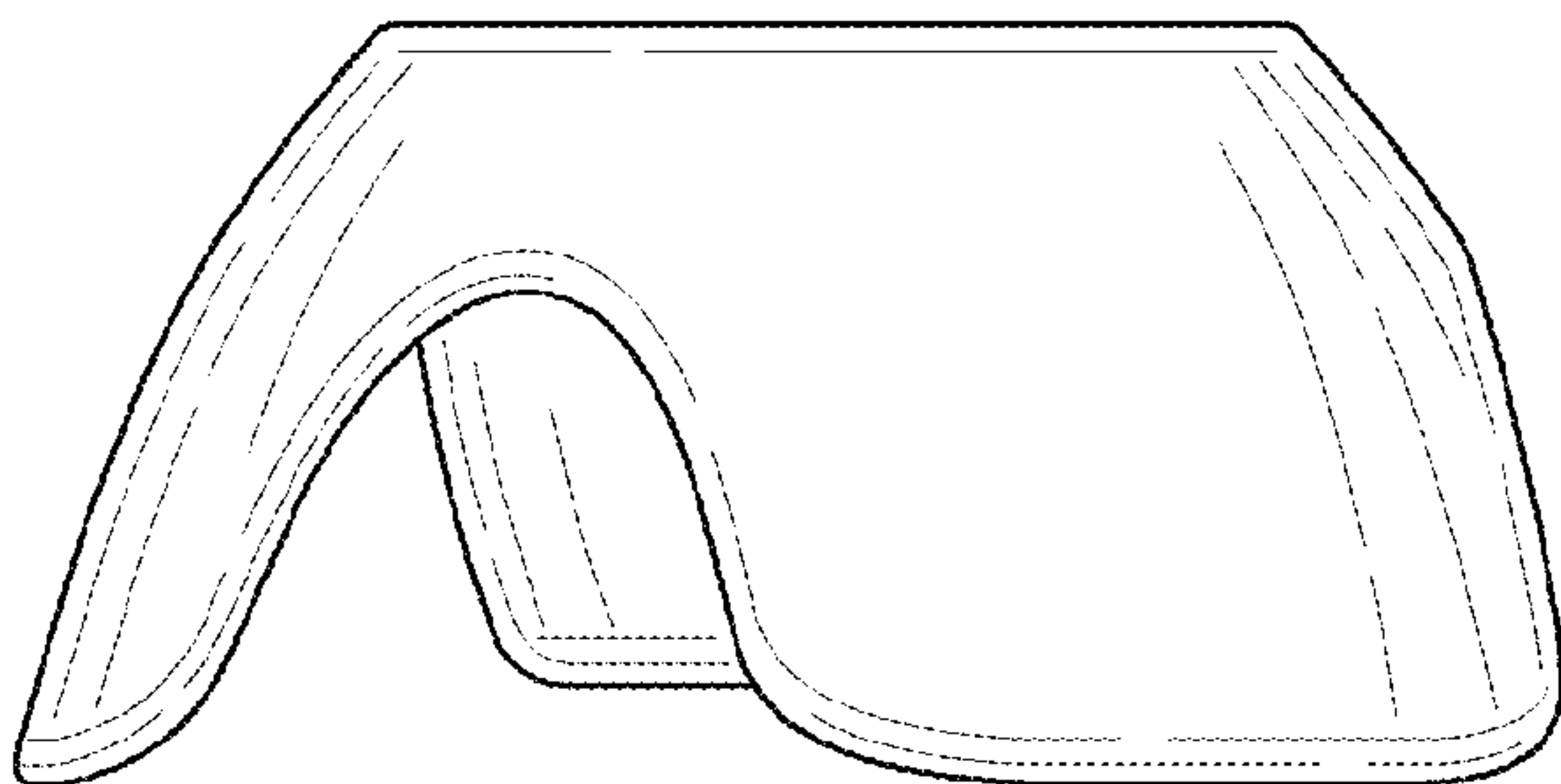


FIG. 6

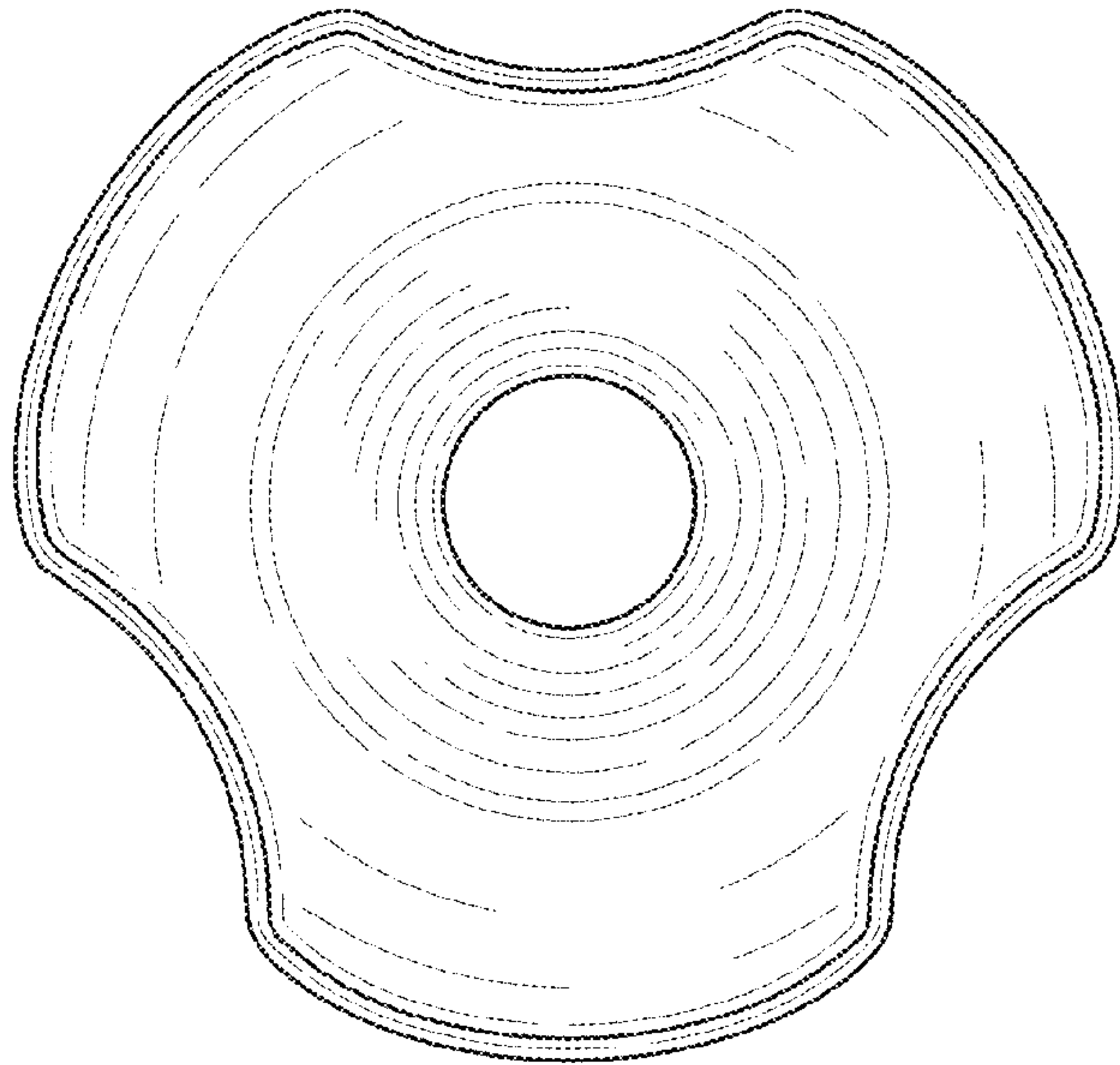


FIG. 3

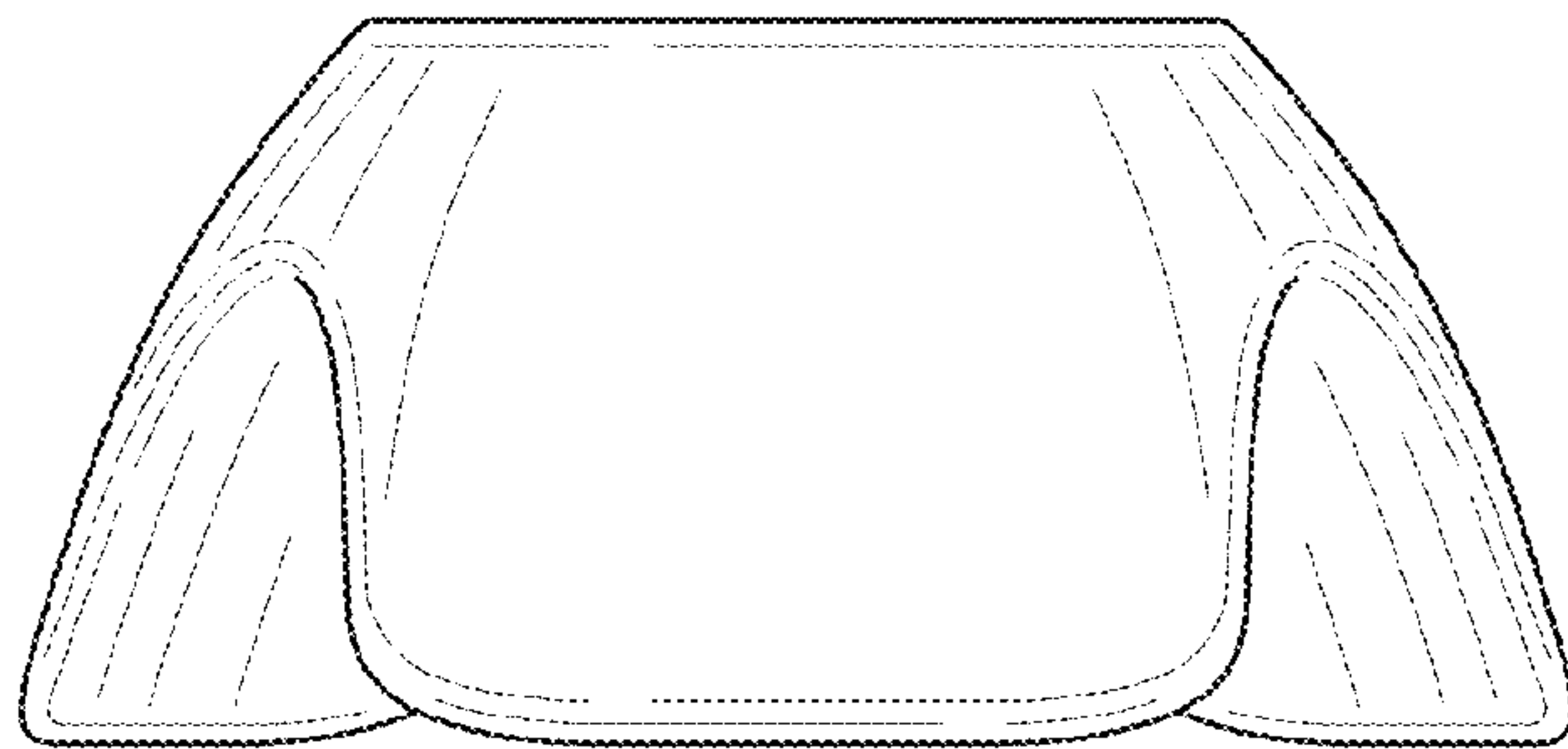


FIG. 4

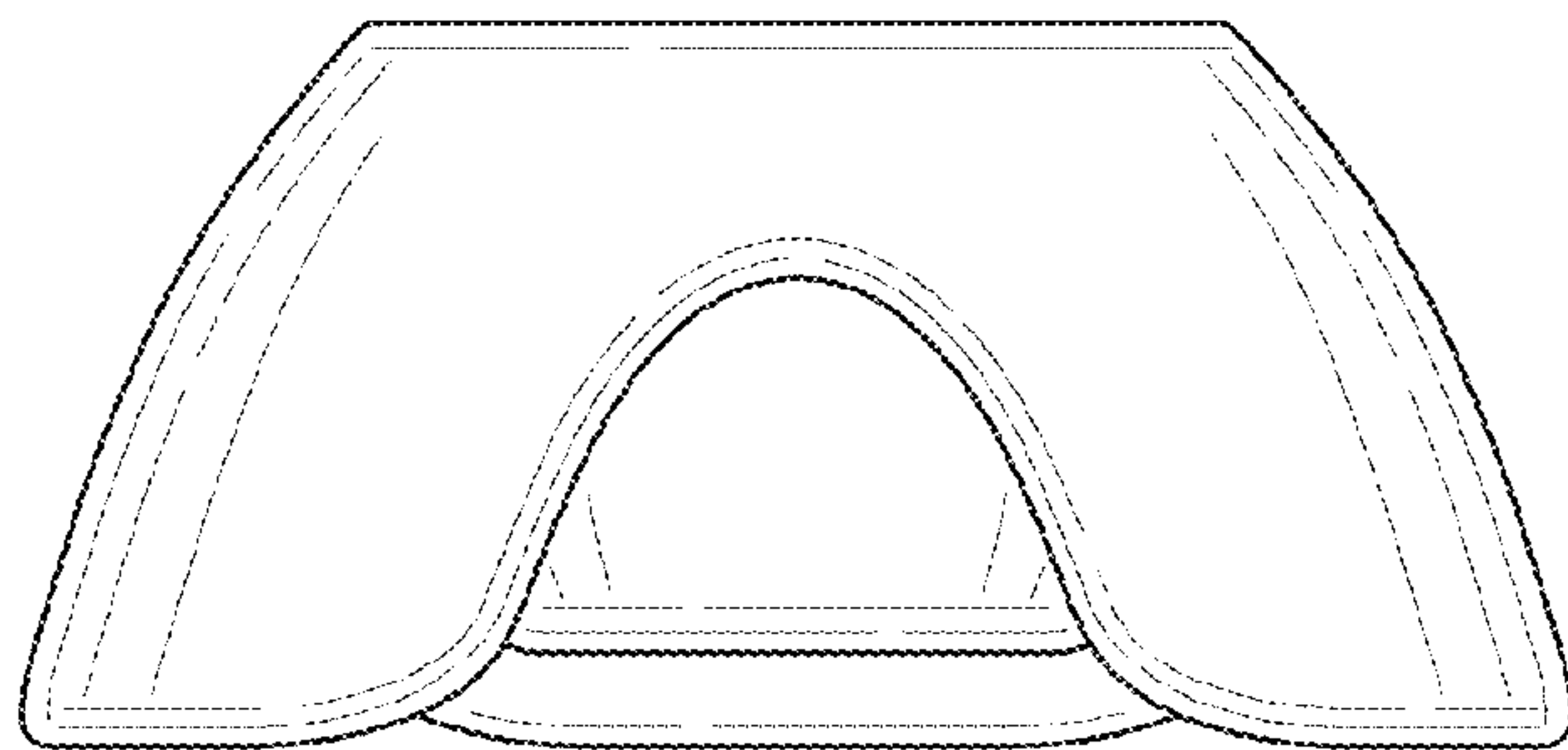
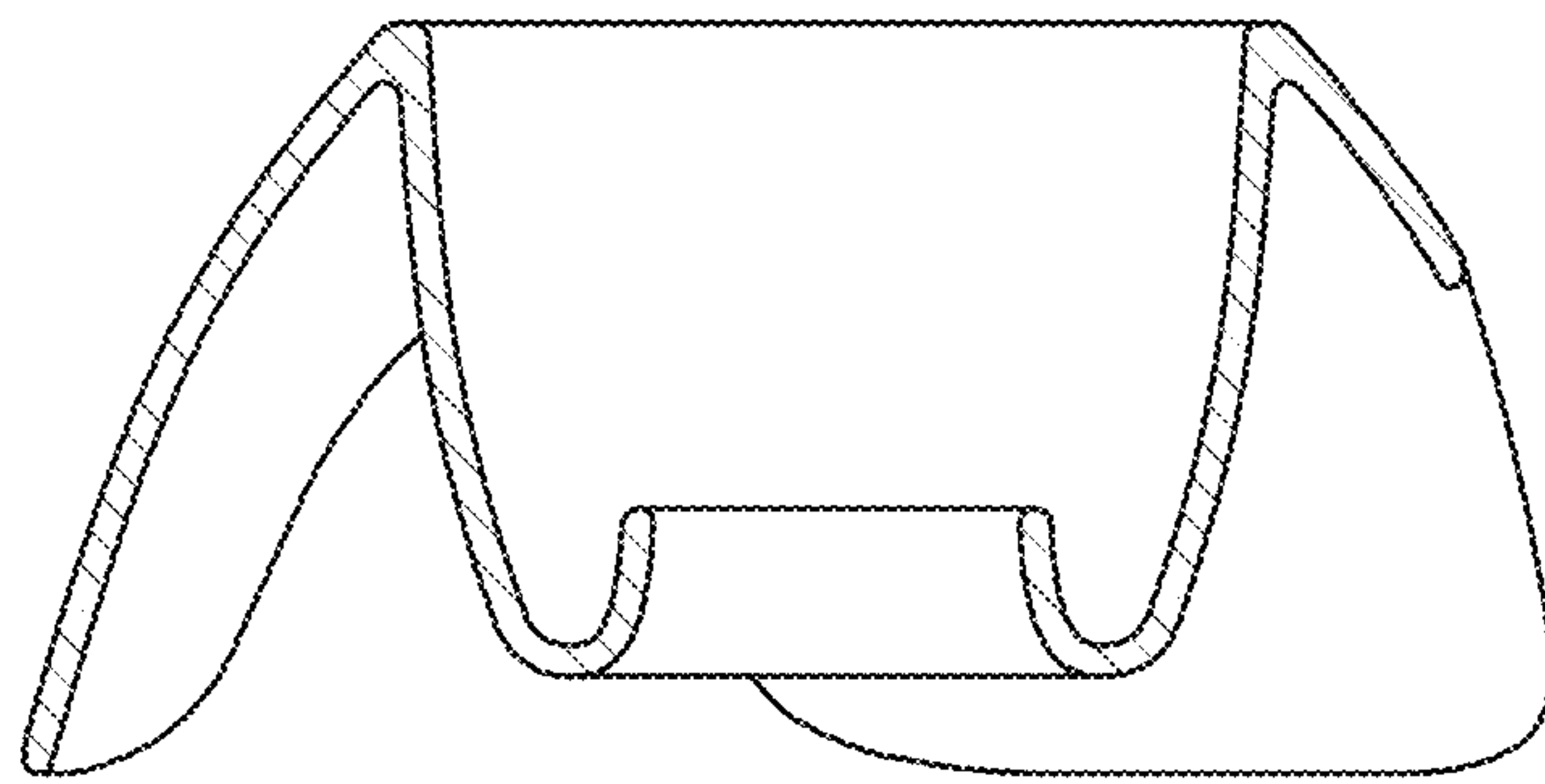


FIG. 5



*FIG. 7*