



US00D726979S

(12) **United States Design Patent**
Kim et al.

(10) **Patent No.:** **US D726,979 S**
(45) **Date of Patent:** **** Apr. 14, 2015**

- (54) **ELECTRIC VACUUM CLEANER**
- (71) Applicant: **LG Electronics Inc.**, Seoul (KR)
- (72) Inventors: **Hyosung Kim**, Seoul (KR); **Jaehun Chung**, Seoul (KR); **Seunghyun Song**, Bucheon-si (KR); **Seonil Yu**, Anyang-si (KR)
- (73) Assignee: **LG Electronics Inc.**, Seoul (KR)
- (**) Term: **14 Years**

(21) Appl. No.: **29/466,371**

(22) Filed: **Sep. 6, 2013**

(30) **Foreign Application Priority Data**

Mar. 7, 2013 (KR) 30-2013-0011708

(51) **LOC (10) Cl.** **15-05**

(52) **U.S. Cl.**
USPC **D32/22**

(58) **Field of Classification Search**
USPC D32/15-16, 18-21, 22, 30-34; D15/18;
D12/111, 114; 15/410-412, 246.2,
15/320, 329, 344, 350, 347, DIG. 10, 349,
15/351-353, 340.2, 361, 362; 55/DIG. 3,
55/323, 337, 429; D8/68-69
See application file for complete search history.

(56) **References Cited**

U.S. PATENT DOCUMENTS

D462,813 S *	9/2002	Nakano et al.	D32/22
D532,944 S *	11/2006	Choi	D32/22
D537,584 S *	2/2007	Greene et al.	D32/22
D587,870 S *	3/2009	Baek et al.	D32/22

D588,760 S *	3/2009	Chun et al.	D32/22
D607,160 S *	12/2009	Yu et al.	D32/22
D610,317 S *	2/2010	Lee et al.	D32/22
D610,318 S *	2/2010	Shin	D32/22
D633,264 S *	2/2011	Lee	D32/22
D652,589 S *	1/2012	Lee	D32/22
D659,313 S *	5/2012	Shin et al.	D32/22
D666,368 S *	8/2012	Ghim et al.	D32/22
D671,697 S *	11/2012	Kim et al.	D32/22
D684,326 S *	6/2013	Okabe et al.	D32/22
8,713,752 B2 *	5/2014	Kang	15/352
2011/0219578 A1 *	9/2011	Liu et al.	15/350
2012/0131760 A1 *	5/2012	Louis et al.	15/320
2014/0082883 A1 *	3/2014	Tran	15/353

* cited by examiner

Primary Examiner — Ruth McInroy

(74) *Attorney, Agent, or Firm* — Birch, Stewart, Kolasch & Birch, LLP

(57) **CLAIM**

The ornamental design for an electric vacuum cleaner, as shown and described.

DESCRIPTION

FIG. 1 is a perspective view of an electric vacuum cleaner showing our new design;
FIG. 2 is a front view thereof;
FIG. 3 is a rear view thereof;
FIG. 4 is a left side view thereof;
FIG. 5 is a right side view thereof;
FIG. 6 is a top plan view thereof;
FIG. 7 is a bottom plan view thereof; and,
FIG. 8 is a perspective view thereof in a detached position.
The broken lines shown are included for the purpose of illustrating the unclaimed portions of the article and form no part of the claim.

1 Claim, 7 Drawing Sheets

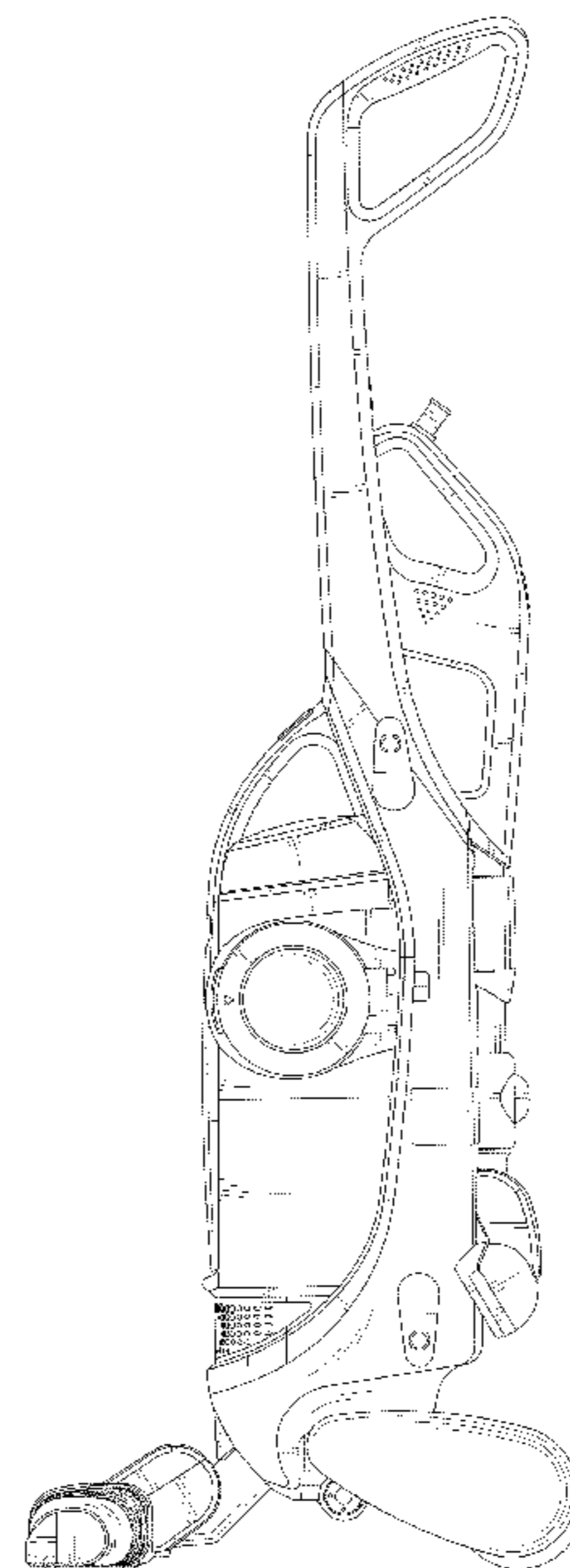
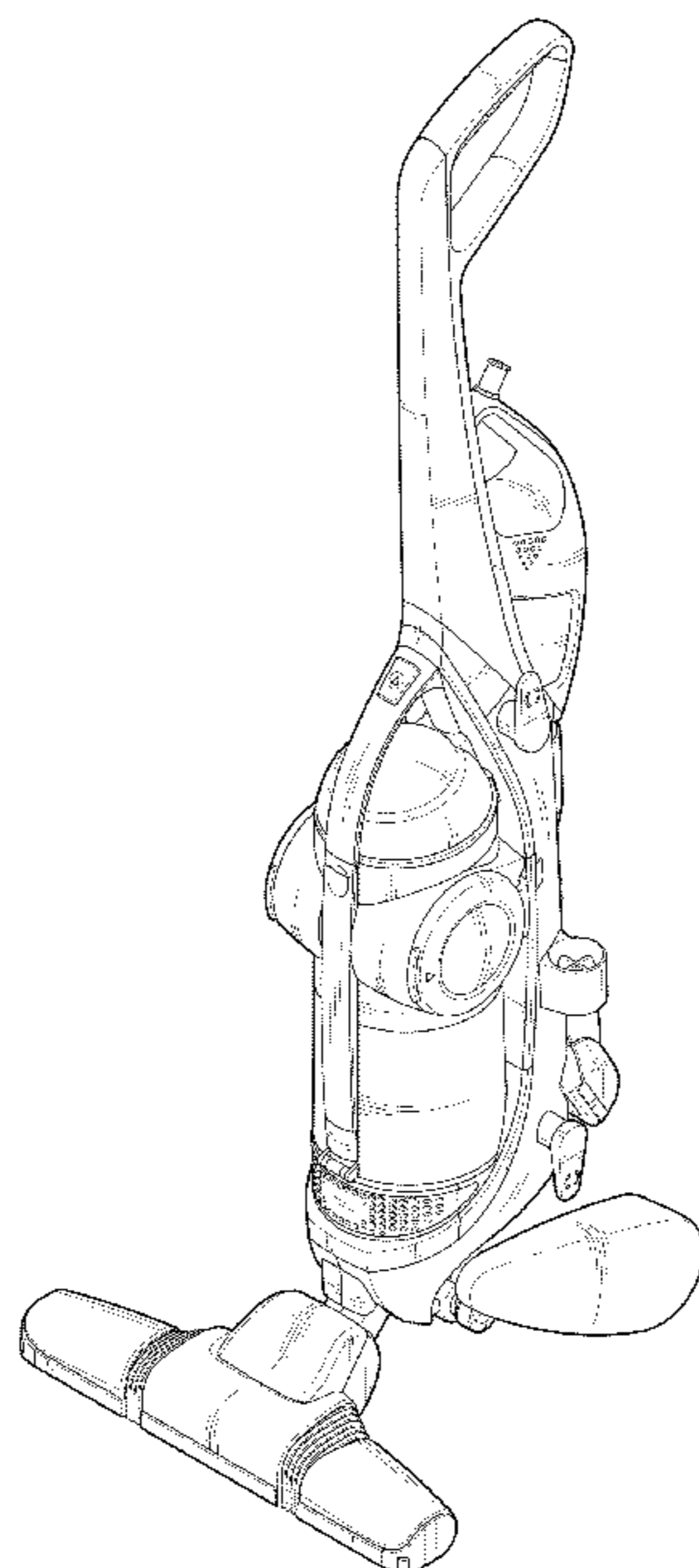


FIG. 1

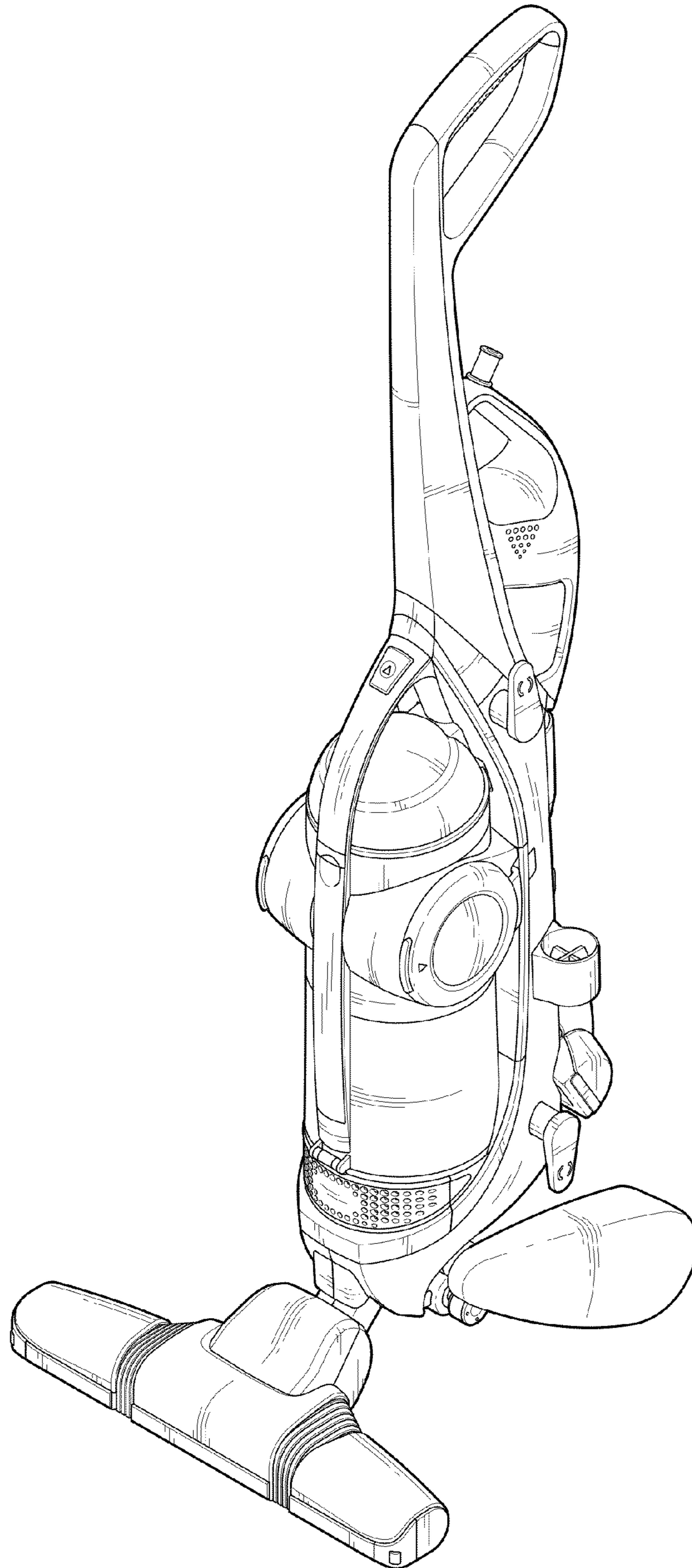


FIG. 2

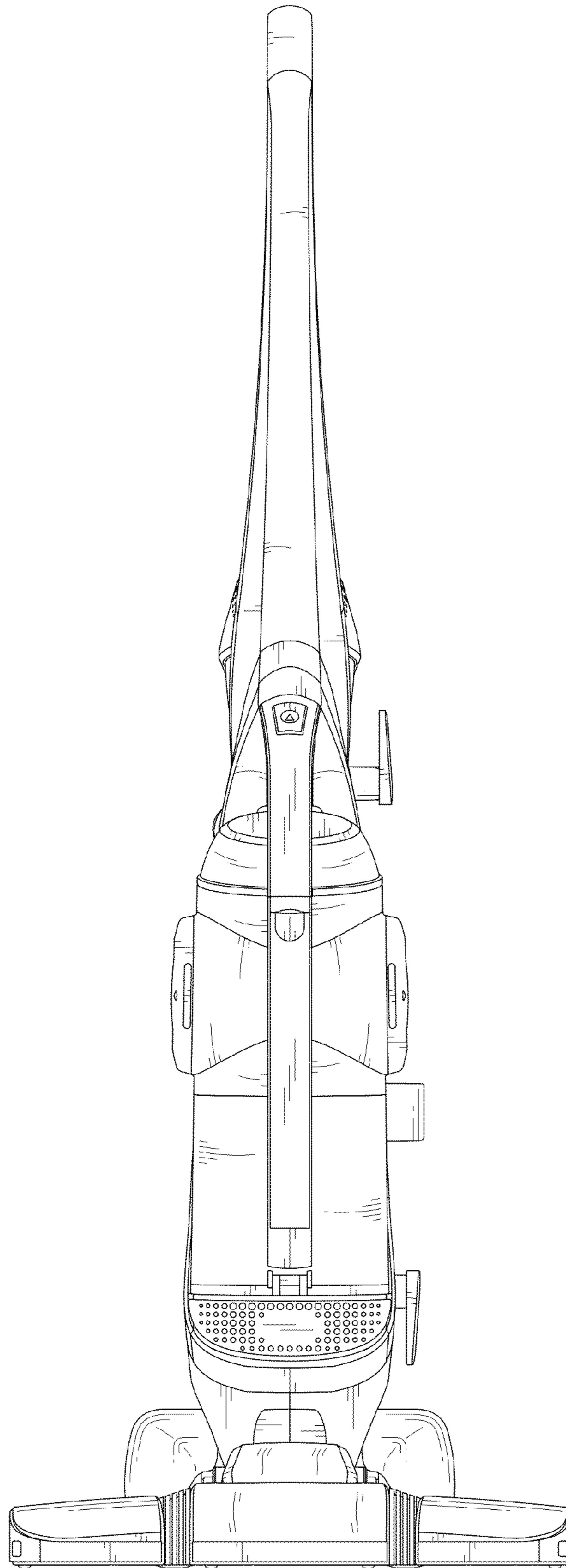


FIG. 3

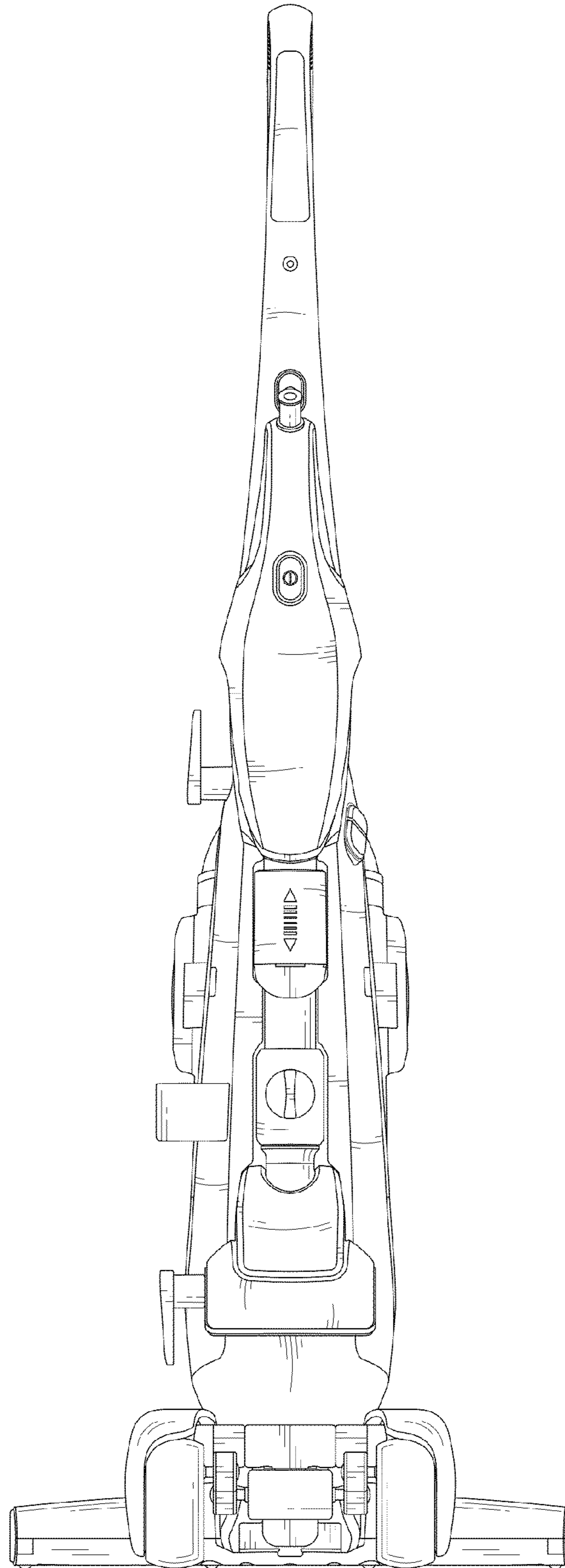


FIG. 4

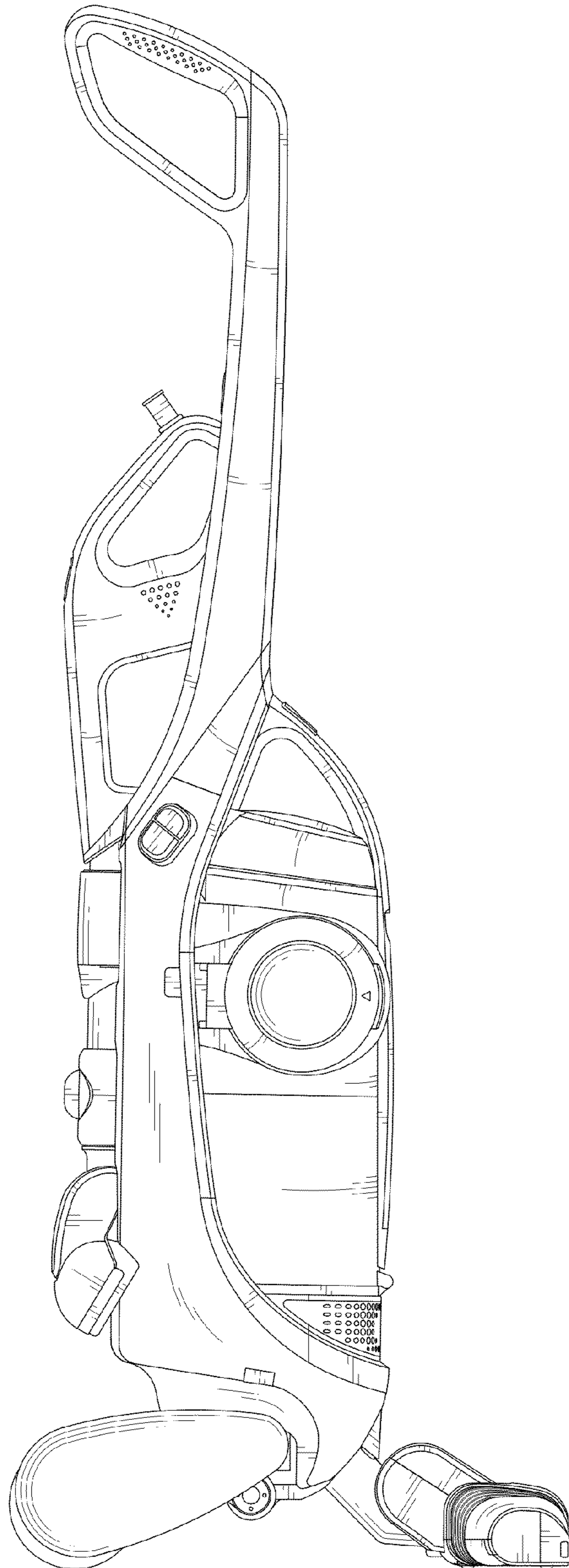


FIG. 5

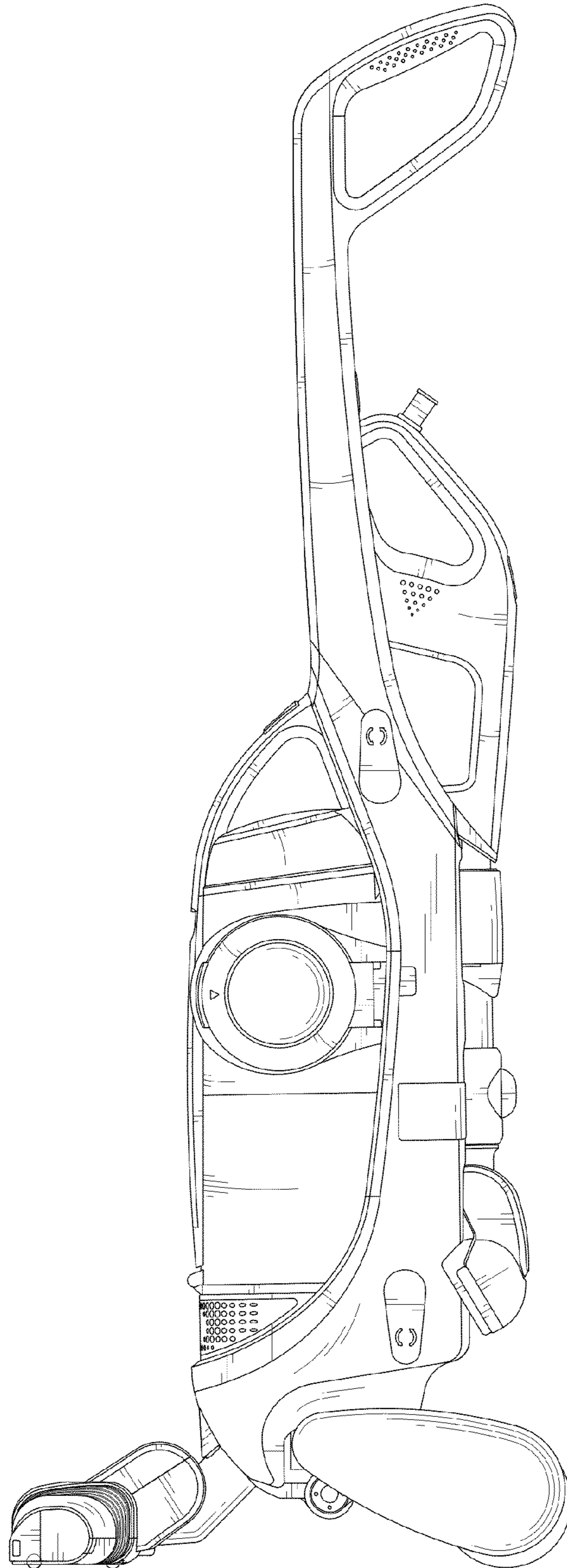


FIG. 6

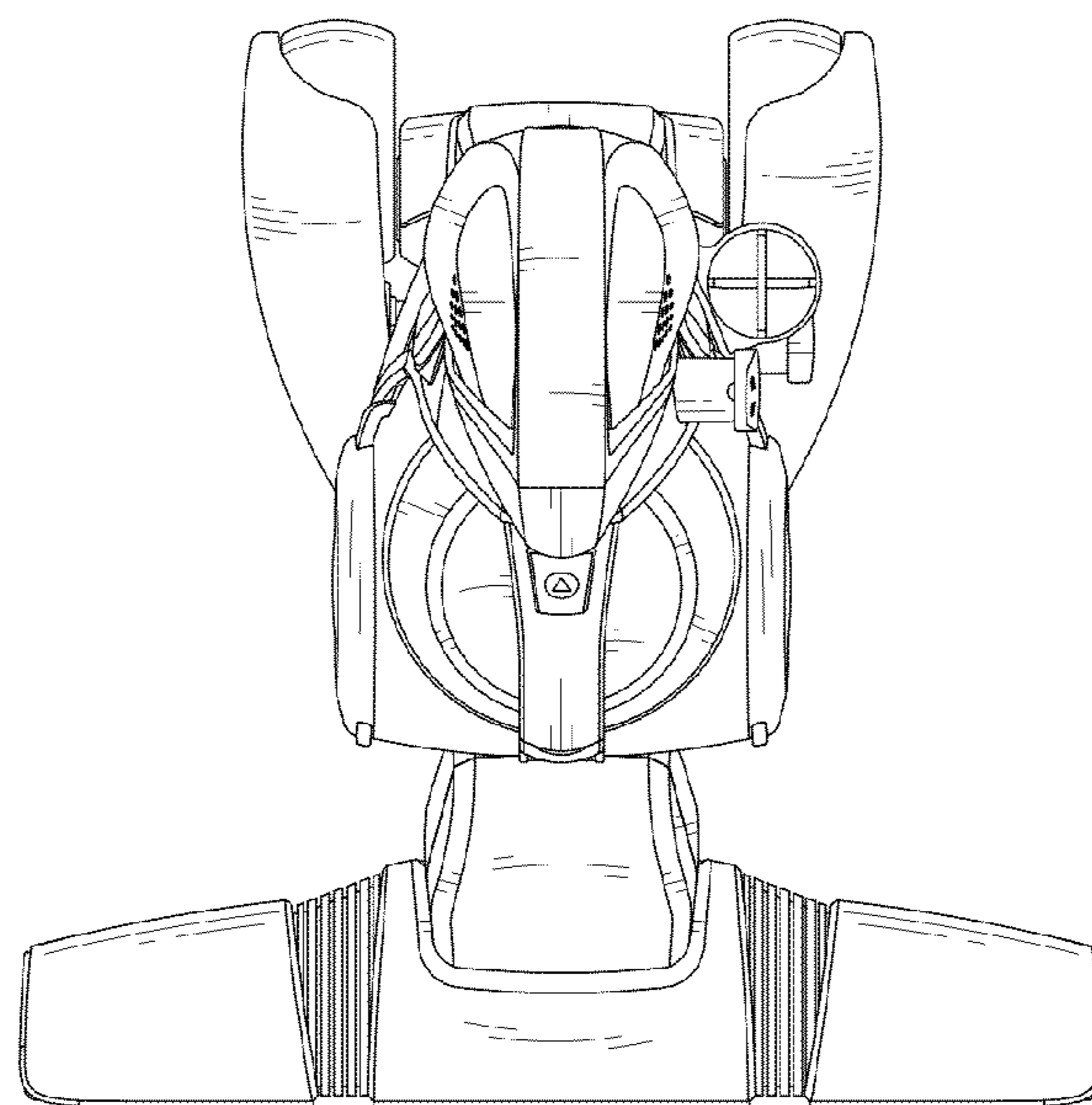


FIG. 7

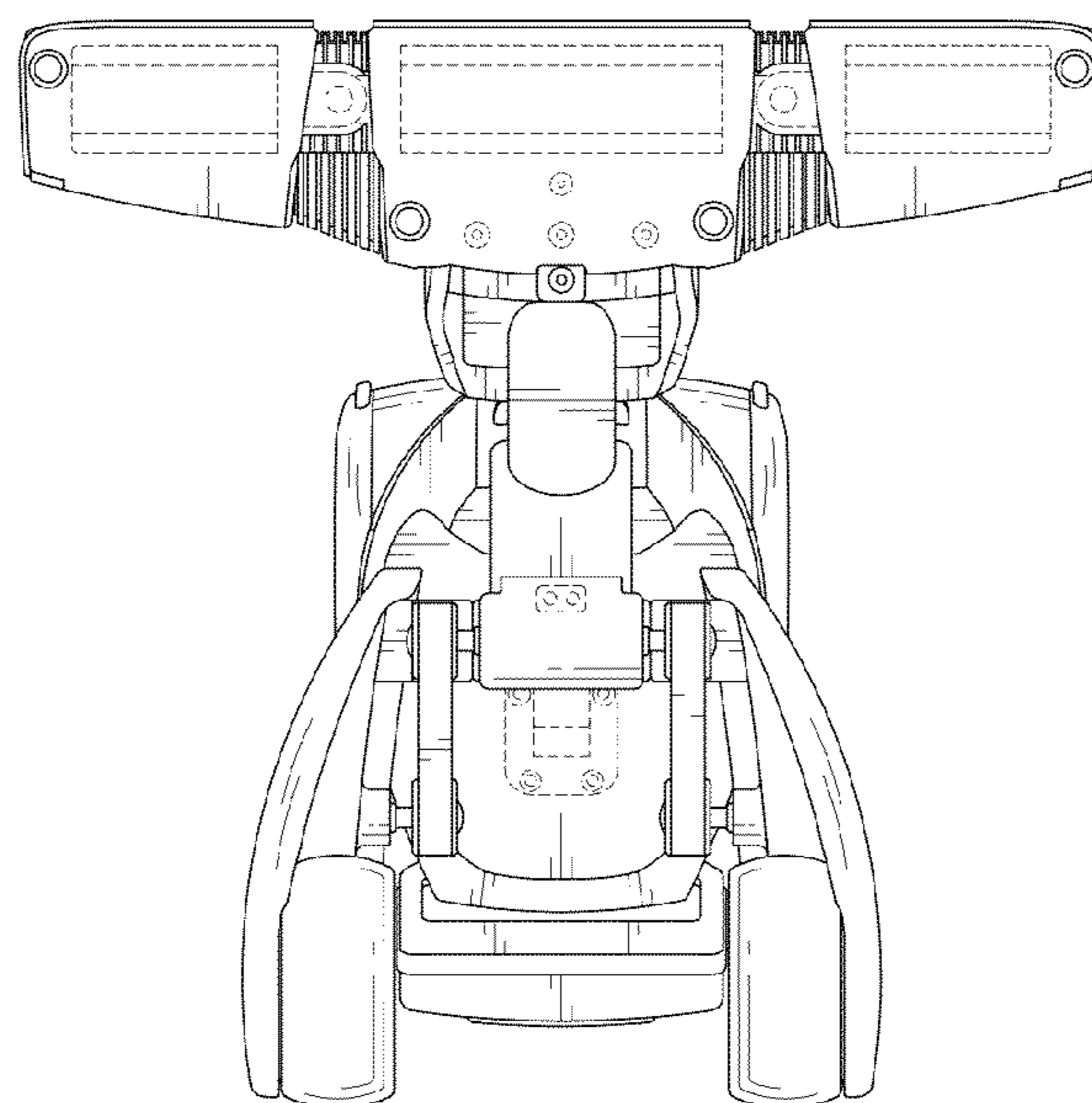


FIG. 8

