

US00D726974S

(12) **United States Design Patent**
Brennan

(10) **Patent No.:** **US D726,974 S**
(45) **Date of Patent:** **** Apr. 14, 2015**

(54) **TUBULAR CAT COLLAR COVER WITH PIPING TRIM**

(71) Applicant: **Nancy Smith Brennan**, Duxbury, VT (US)

(72) Inventor: **Nancy Smith Brennan**, Duxbury, VT (US)

(**) Term: **14 Years**

(21) Appl. No.: **29/463,101**

(22) Filed: **Jul. 25, 2013**

(51) **LOC (10) Cl.** **30-04**

(52) **U.S. Cl.**
USPC **D30/152; D30/145**

(58) **Field of Classification Search**
CPC ... A01K 27/00; A01K 27/001; A01K 27/002; A01K 27/006
USPC D30/144, 145, 151, 152, 153, 199; D2/500, 501, 502, 600, 602, 603, 609, D2/627, 629; 119/174, 654, 769, 772, 119/792-798, 815, 821, 850, 856, 858-860, 119/863-865, 907; 2/105, 129, 131, 133, 2/141.1, 242, 301, 311, 321, 322, 336, 2/338, 908, 910, 911, 912, 916, 919, 2/920; D11/1-6, 11, 86, 87, 200, 201, D11/215, 218, 231; 70/459; 63/1.2, 3, 3.1, 63/32, 35

See application file for complete search history.

(56) **References Cited**

U.S. PATENT DOCUMENTS

2,688,136 A * 9/1954 Freedman 2/105
4,266,511 A * 5/1981 Muench 119/858
5,109,803 A * 5/1992 Dunham et al. 119/654
5,133,295 A * 7/1992 Lippincott 119/821

D405,235 S * 2/1999 Dickie D2/602
5,878,698 A * 3/1999 Lyell 119/863
7,168,394 B2 * 1/2007 Berry 119/863
D542,481 S * 5/2007 Katz D30/145
D558,932 S * 1/2008 Farrar D30/152
D576,356 S * 9/2008 Jennings D30/152
D624,710 S * 9/2010 Moore D30/152
D643,160 S * 8/2011 Welles D30/152
D649,304 S * 11/2011 Cupples et al. D30/152
D691,332 S * 10/2013 Brennan D30/145
2009/0159016 A1 * 6/2009 Lang et al. 119/863
2009/0265836 A1 * 10/2009 Harrell 2/242
2010/0236287 A1 * 9/2010 Summerford 63/1.12
2011/0114033 A1 * 5/2011 Garrou 119/855

* cited by examiner

Primary Examiner — Martie K Holtje

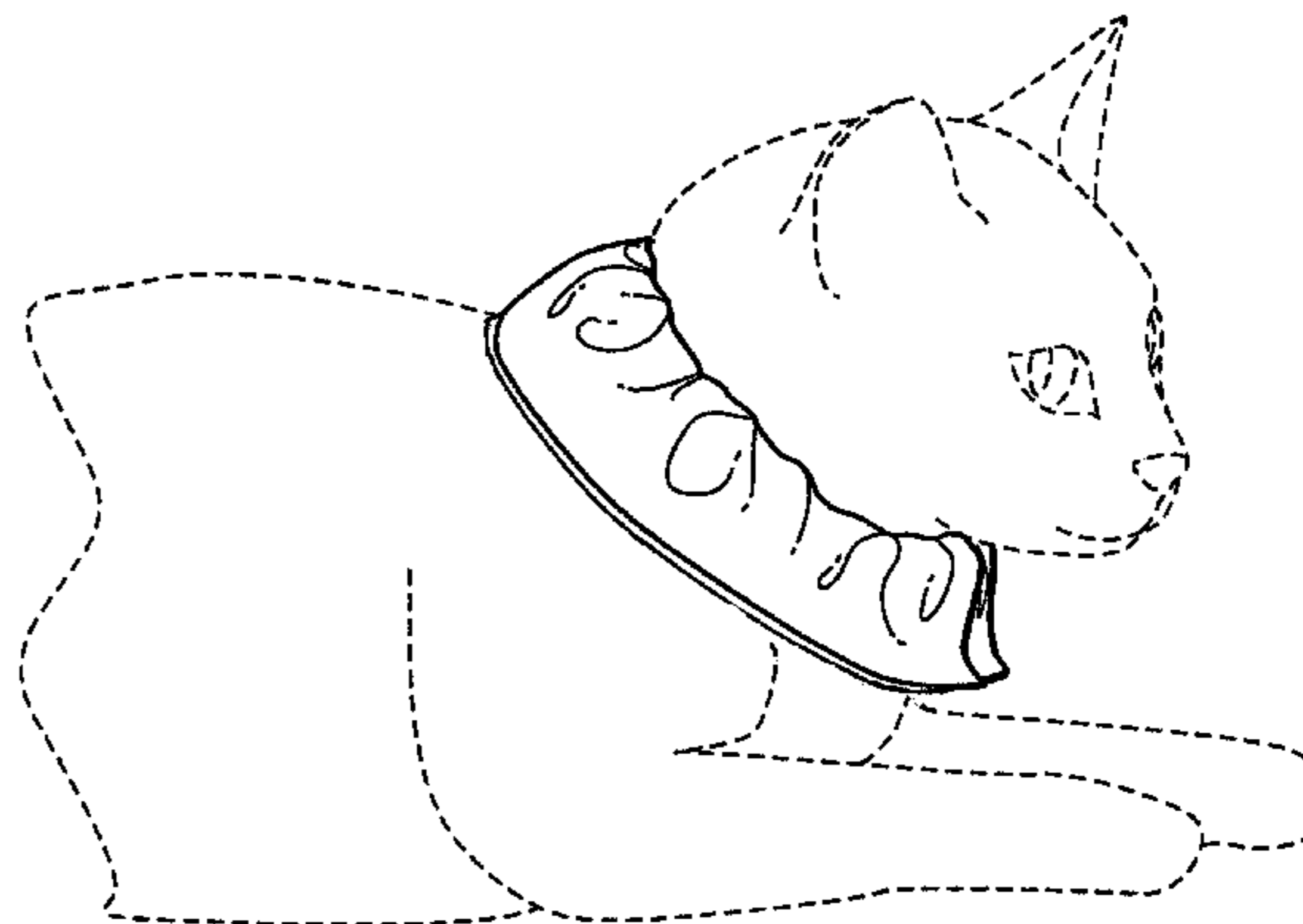
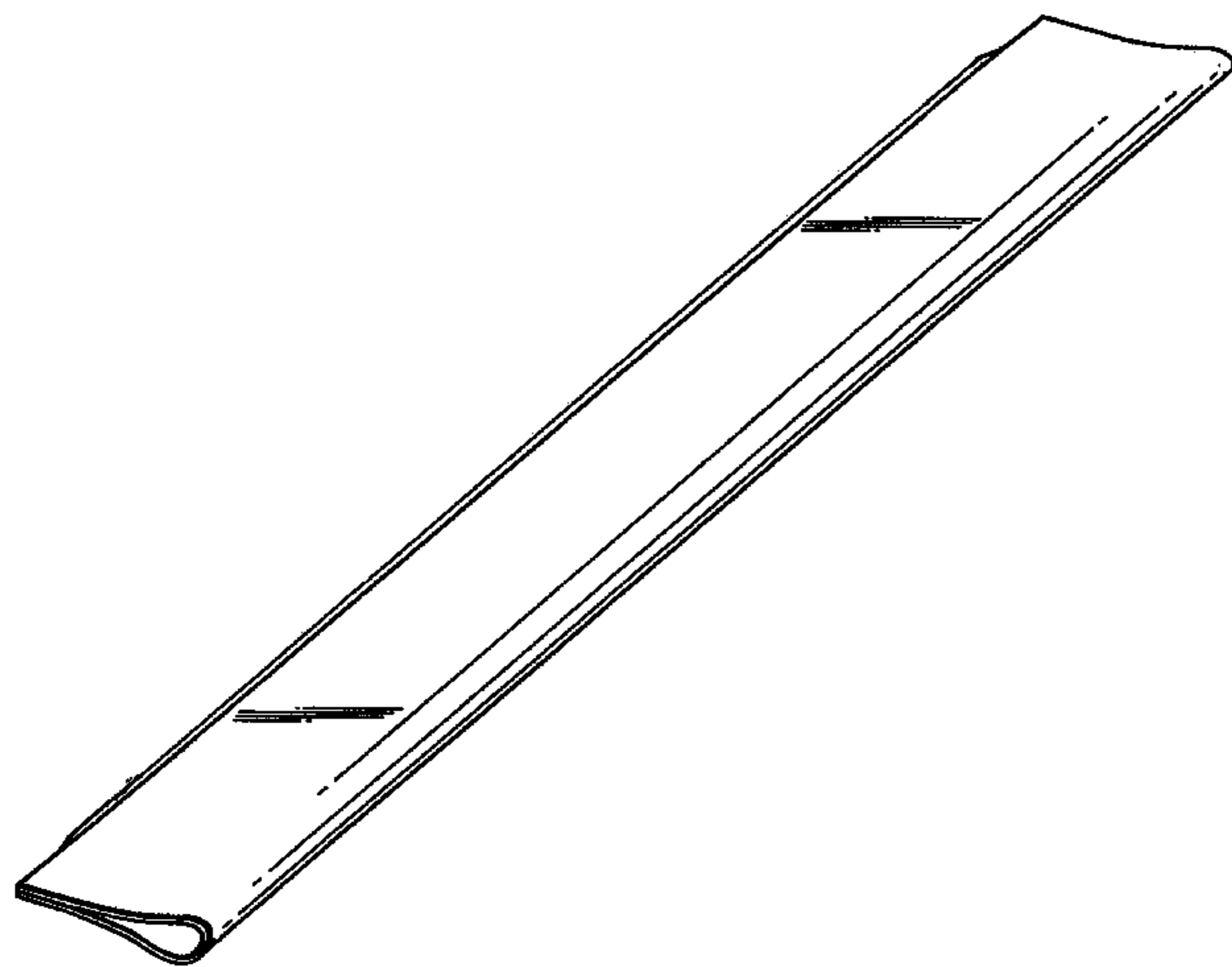
(57) **CLAIM**

I claim the ornamental design for a tubular cat collar cover with piping trim, as shown and described.

DESCRIPTION

FIG. 1 is a perspective view of the tubular cat collar cover with piping trim showing my new design;
FIG. 2 is a top plan view, the bottom plan view being the mirror image thereof;
FIG. 3 is a front elevational view thereof;
FIG. 4 is a rear elevational view thereof;
FIG. 5 is an end elevational view thereof, the opposite end view being the mirror image thereof; and,
FIG. 6 is a perspective view thereof shown in use.
The cat depicted by broken lines in FIG. 6 has been shown for the purpose of illustrating environment that forms no part of the claimed design.
The tubular cat collar cover with piping trim is a sleeve of fabric that is sewn together on the long edge and trimmed with piping. The ends are left open for the purpose of sliding the cover onto a cat's collar.

1 Claim, 3 Drawing Sheets



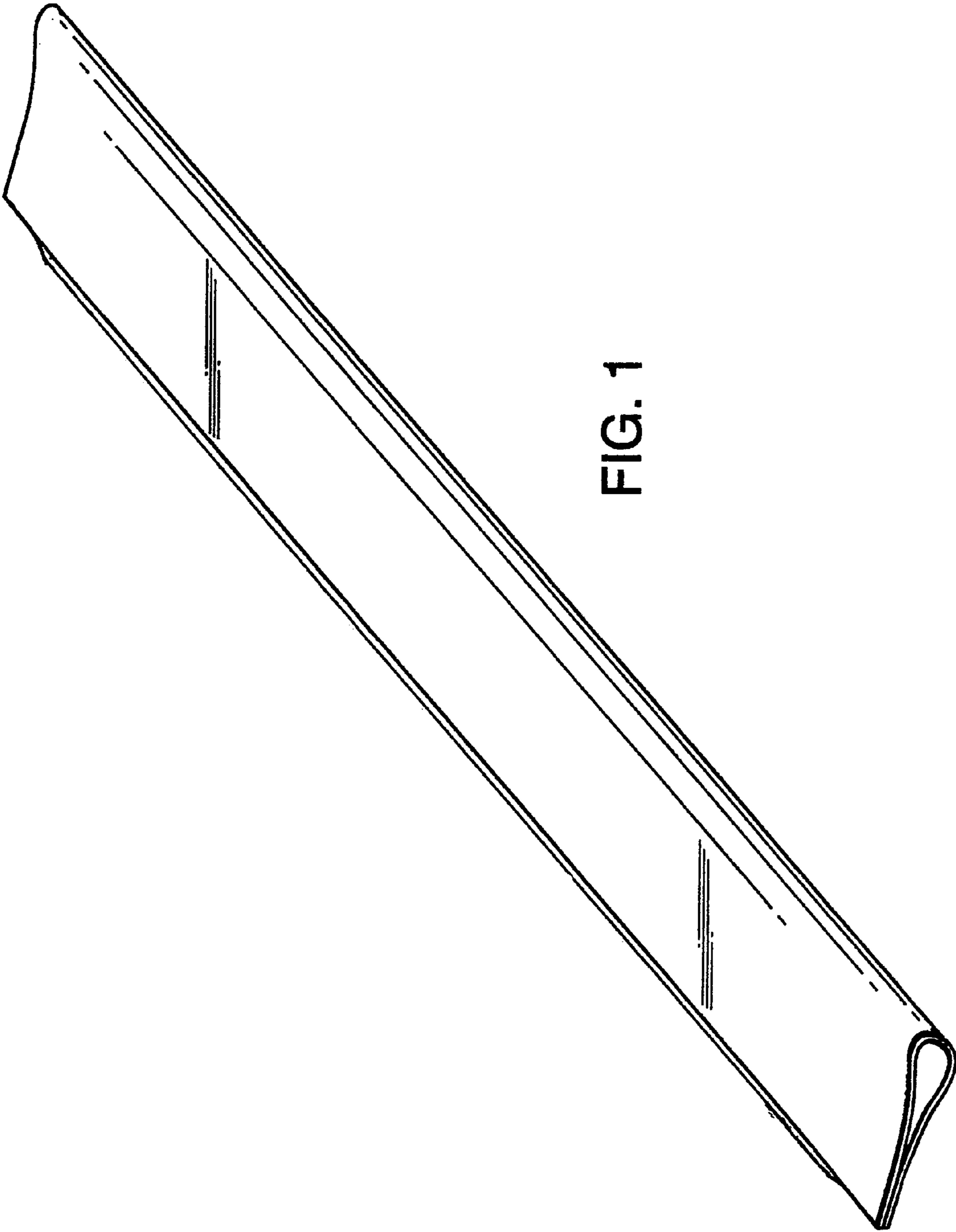


FIG. 1

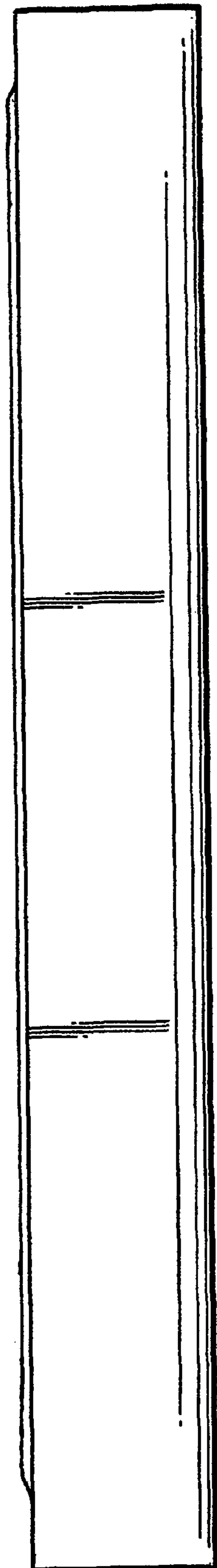


FIG. 2



FIG. 3



FIG. 4



FIG. 5

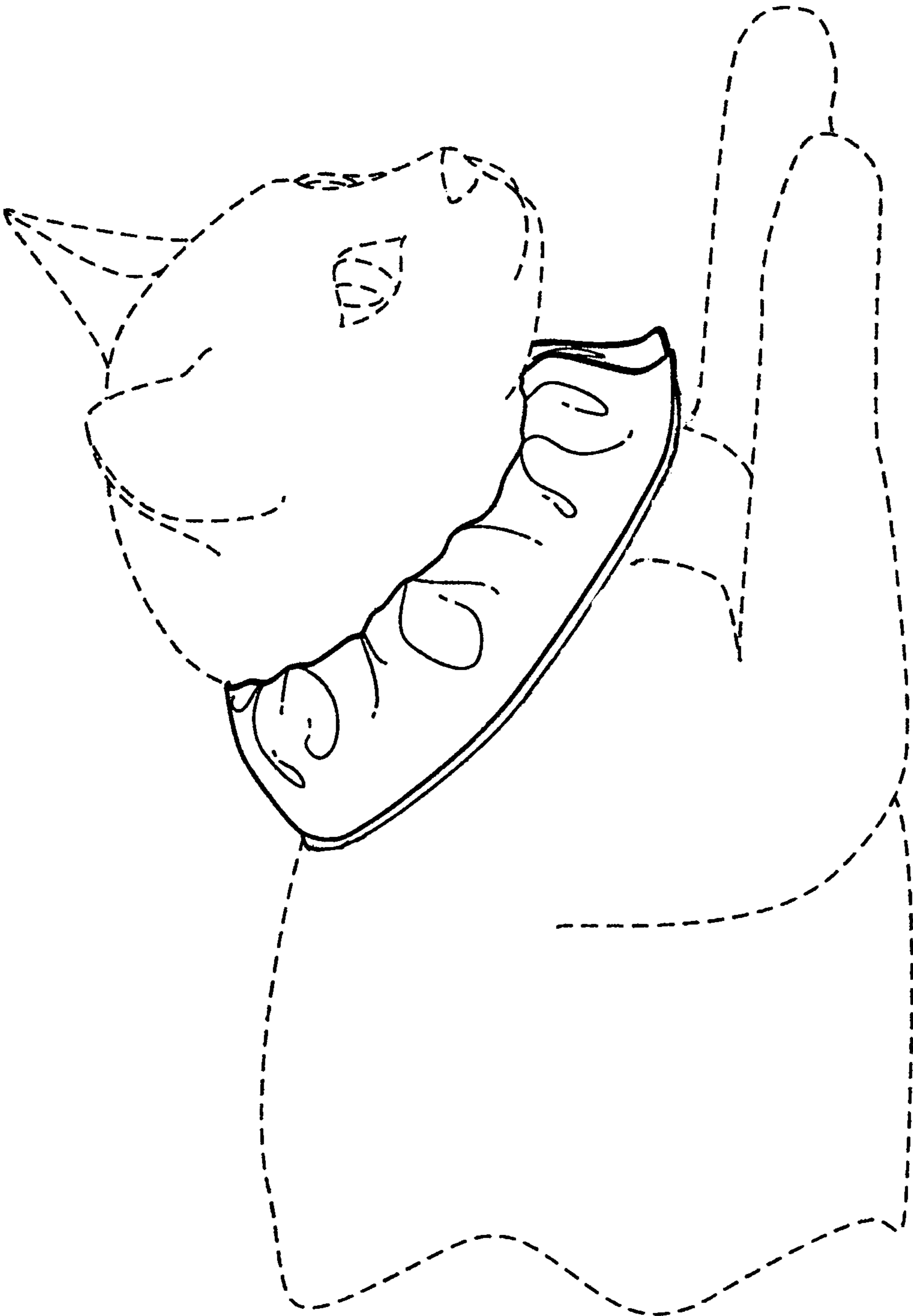


FIG. 6