



US00D726973S

(12) **United States Design Patent**
Ford

(10) **Patent No.:** **US D726,973 S**
(45) **Date of Patent:** **** Apr. 14, 2015**

(54) **HORSE SHOE**

(71) Applicant: **Garrett N. Ford**, Durango, CO (US)

(72) Inventor: **Garrett N. Ford**, Durango, CO (US)

(73) Assignee: **Easycare, Inc.**, Tucson, AZ (US)

(**) Term: **14 Years**

(21) Appl. No.: **29/485,909**

(22) Filed: **Mar. 24, 2014**

Related U.S. Application Data

(63) Continuation of application No. 14/165,646, filed on Jan. 28, 2014.

(51) **LOC (10) Cl.** **30-01**

(52) **U.S. Cl.**
USPC **D30/147**

(58) **Field of Classification Search**
USPC D30/146-150; 119/814; 54/82;
168/1-5, 11-18, 22-33; 473/591;
D9/650; D21/387
See application file for complete search history.

(56) **References Cited**

U.S. PATENT DOCUMENTS

D230,284 S *	2/1974	Shenton	D30/148
D257,693 S *	12/1980	Poust et al.	D30/148
6,694,713 B1 *	2/2004	MacDonald	54/82
D603,108 S *	10/2009	Lander	D30/149
D612,550 S *	3/2010	Justis	D30/147
D629,166 S *	12/2010	Lander	D30/149

D629,573 S *	12/2010	Lander	D30/146
8,151,546 B2 *	4/2012	Ford	54/82
2005/0034877 A1 *	2/2005	Bergeleen	168/6
2007/0033909 A1 *	2/2007	Lustgarten	54/82
2009/0100808 A1 *	4/2009	Ford	54/82
2010/0083624 A1 *	4/2010	Ford	54/82
2010/0229508 A1 *	9/2010	Gola	54/82
2011/0000173 A1 *	1/2011	Lander	54/82
2012/0227364 A1 *	9/2012	Ford	54/82
2014/0231100 A1 *	8/2014	Ford	168/12
2014/0231101 A1 *	8/2014	Ford	168/12

* cited by examiner

Primary Examiner — George D Kirschbaum

Assistant Examiner — Jennifer Watkins

(74) *Attorney, Agent, or Firm* — Antonio R. Durando

(57) **CLAIM**

The ornamental design for a horse shoe, as shown and described.

DESCRIPTION

FIG. 1 is a perspective view of a horse shoe showing my Design;

FIG. 2 is a front elevational view thereof;

FIG. 3 is a rear elevational view thereof;

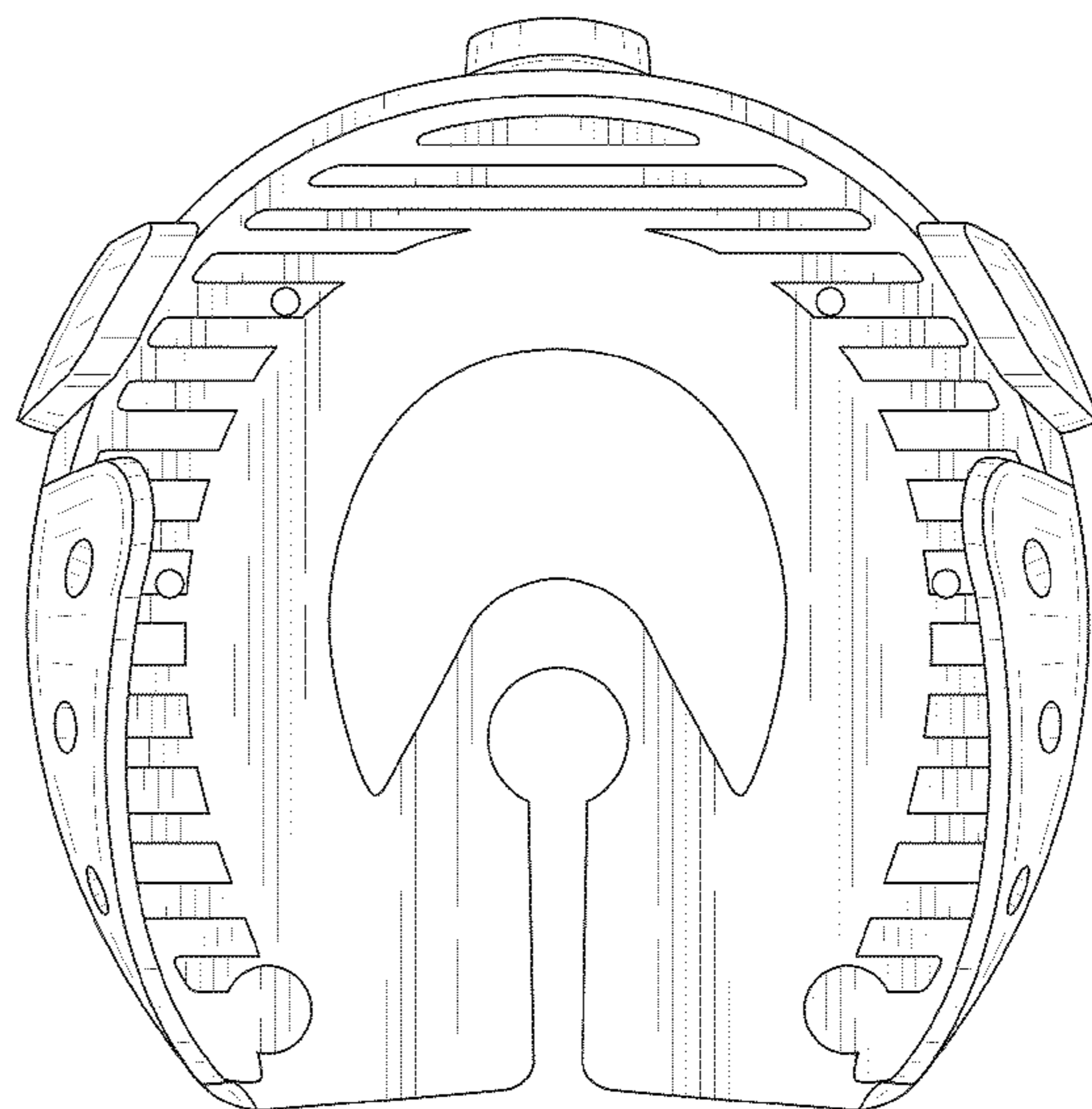
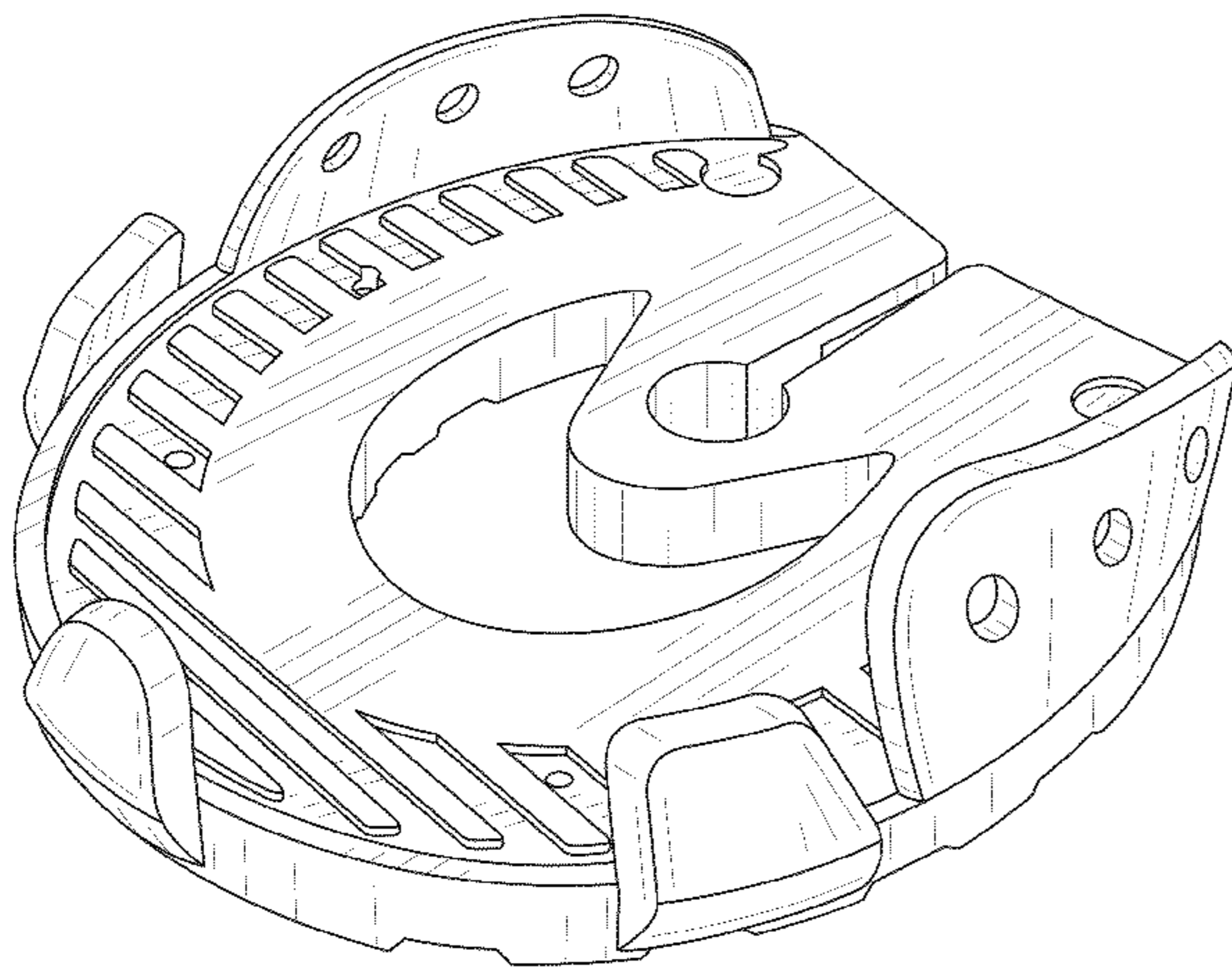
FIG. 4 is a left-side elevational view thereof, the right-side view being a mirror image of the left side; and,

FIG. 5 is a top plan view thereof.

The bottom of the sole of the horse shoe on the drawing disclosure forms no part of the claimed design.

The broken lines in the drawings are for the purpose of illustrating portions of the horse shoe that form no part of the claimed design.

1 Claim, 3 Drawing Sheets



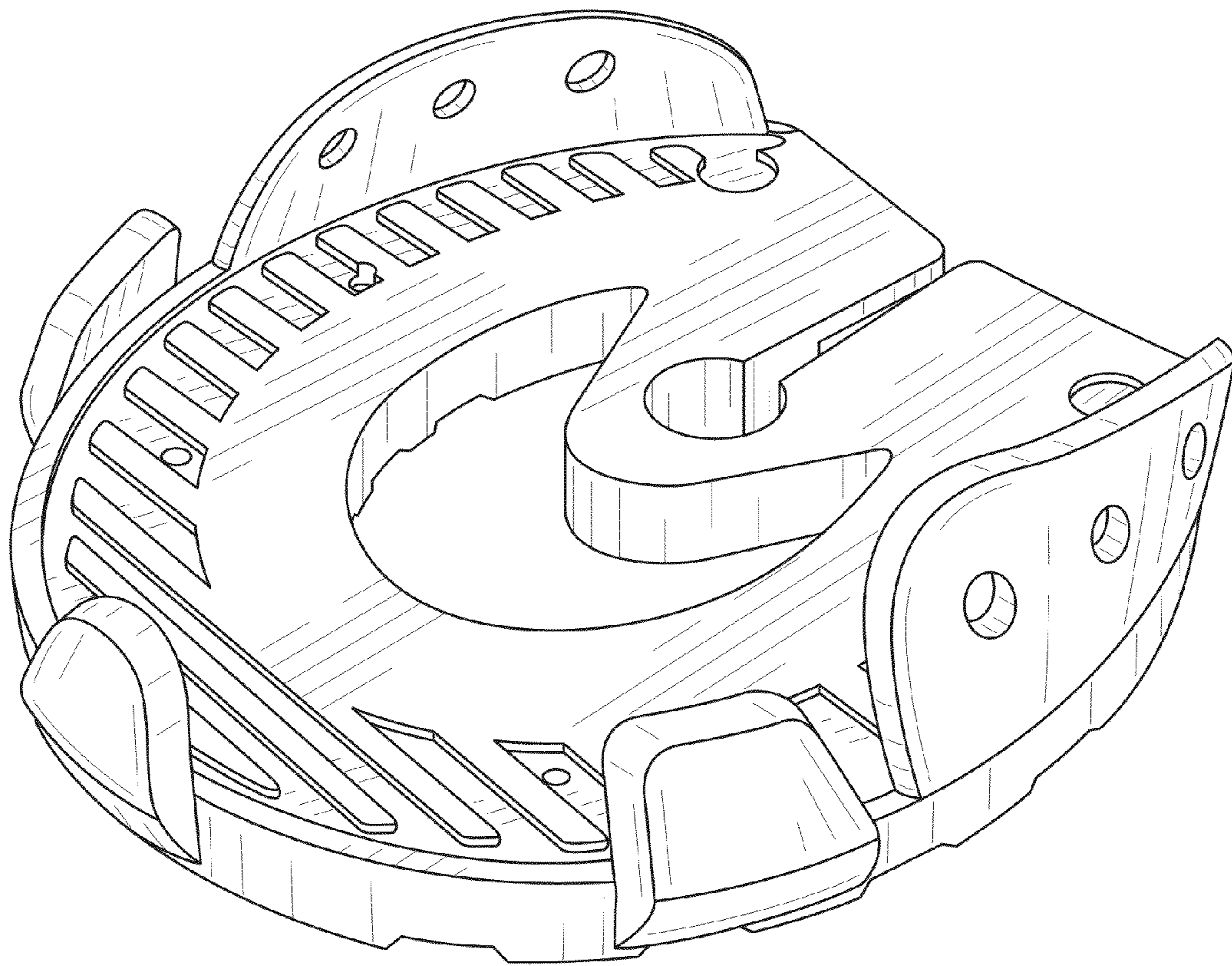


FIG. 1

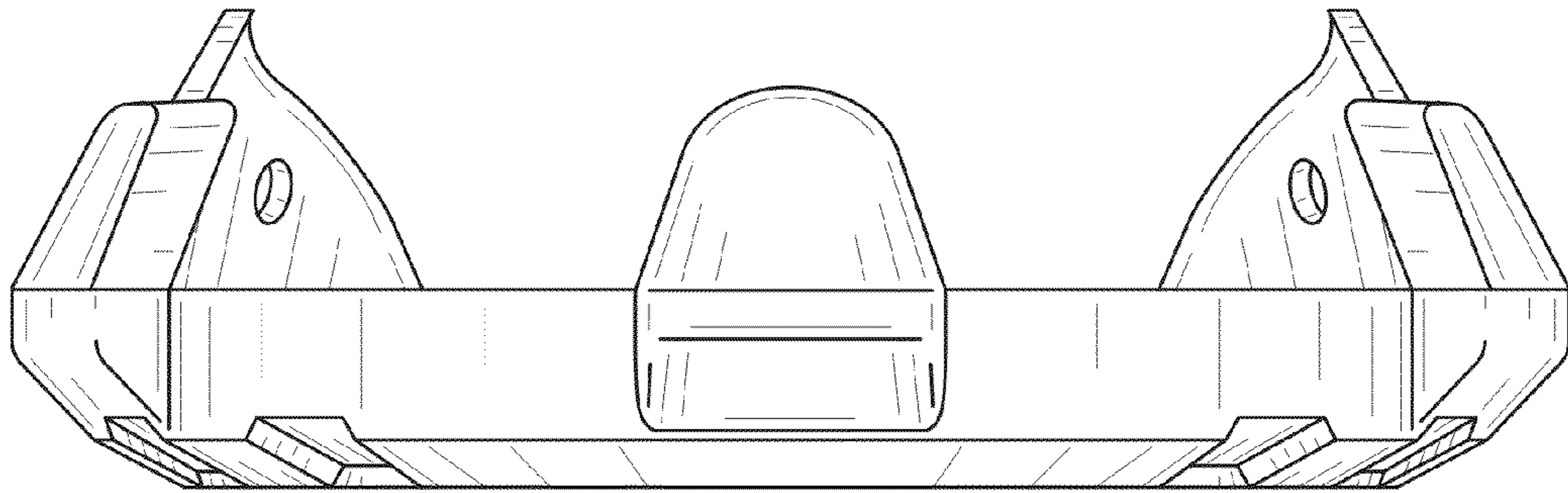


FIG. 2

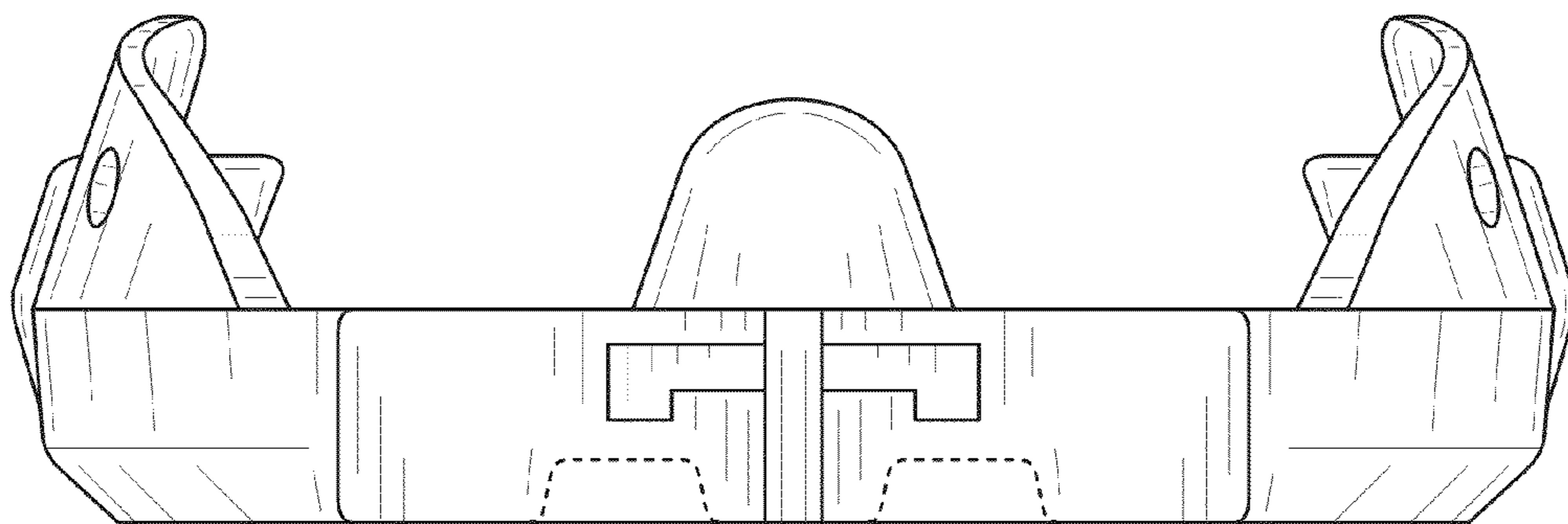


FIG. 3

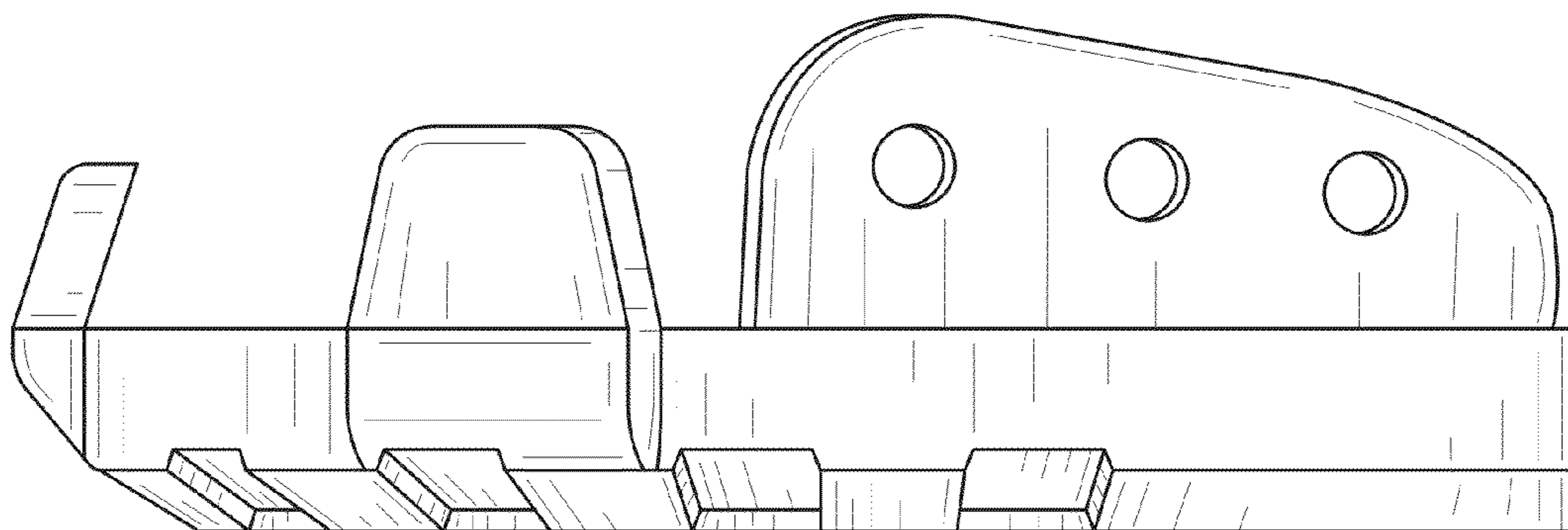


FIG. 4

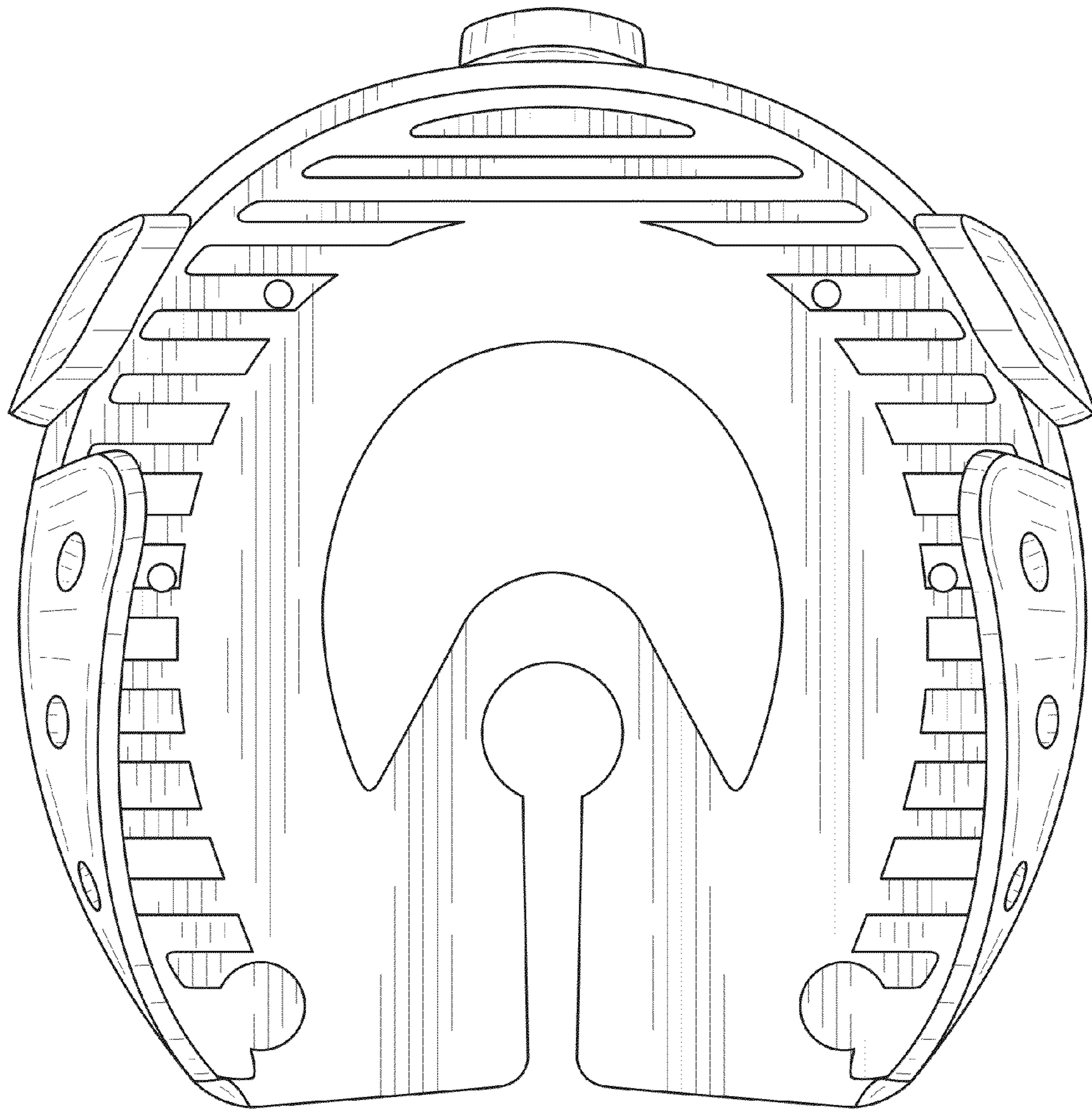


FIG. 5