



US00D726965S

(12) **United States Design Patent**  
**Smith et al.**

(10) **Patent No.:** **US D726,965 S**  
(45) **Date of Patent:** **\*\* Apr. 14, 2015**

(54) **HEATING PLATE FOR HAIR STRAIGHTENER**

(71) Applicant: **Koninklijke Philips N.V.**, Eindhoven (NL)

(72) Inventors: **Anthony John Smith**, Lausanne (CH);  
**Suzette Van Maanen**, Utrecht (NL);  
**Kim Helmbold**, Amsterdam (NL)

(73) Assignee: **Koninklijke Philips N.V.**, Eindhoven (NL)

(\*\*) Term: **14 Years**

(21) Appl. No.: **29/499,762**

(22) Filed: **Aug. 19, 2014**

(30) **Foreign Application Priority Data**

Feb. 28, 2014 (EM) ..... 002415778-0002

(51) **LOC (10) Cl.** ..... **28-03**

(52) **U.S. Cl.**  
USPC ..... **D28/38**

(58) **Field of Classification Search**  
CPC ..... A45D 1/00–1/18; A45D 2/00–2/002  
USPC ..... D28/35–38; 219/222–226  
See application file for complete search history.

(56) **References Cited**

U.S. PATENT DOCUMENTS

D629,157 S *	12/2010	Ko	.....	D28/38
2003/0071027 A1 *	4/2003	Lo	.....	219/225
2004/0163661 A1 *	8/2004	Carlucci	.....	132/222
2006/0108344 A1 *	5/2006	Kim et al.	.....	219/225
2008/0041408 A1 *	2/2008	Shepherd et al.	.....	132/224
2008/0110871 A1 *	5/2008	Wu et al.	.....	219/222
2008/0173630 A1 *	7/2008	Ceva	.....	219/222
2010/0101599 A1 *	4/2010	Choi	.....	132/269
2013/0220360 A1 *	8/2013	Sharon	.....	132/269

FOREIGN PATENT DOCUMENTS

EP 2524617 A2 \* 11/2012

\* cited by examiner

*Primary Examiner* — Jennifer Rivard

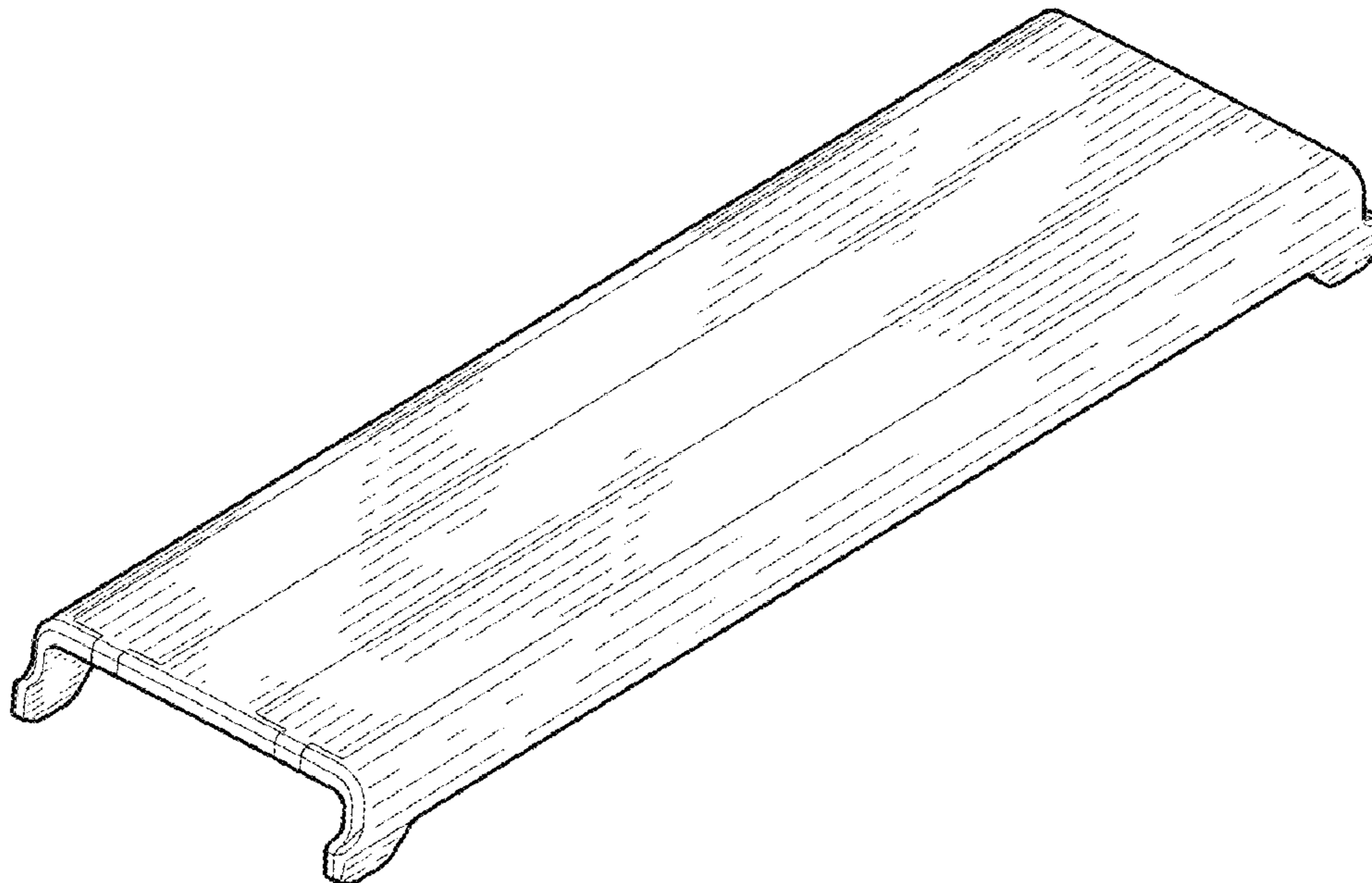
(57) **CLAIM**

The ornamental design for a heating plate for hair straightener, as shown.

**DESCRIPTION**

FIG. 1 is a perspective view showing my design;  
FIG. 2 is a front elevational view thereof;  
FIG. 3 is a rear elevational view thereof;  
FIG. 4 is a right side elevational view thereof;  
FIG. 5 is a left side elevational view thereof;  
FIG. 6 is a top plan view thereof; and,  
FIG. 7 is a bottom plan view thereof.

**1 Claim, 2 Drawing Sheets**



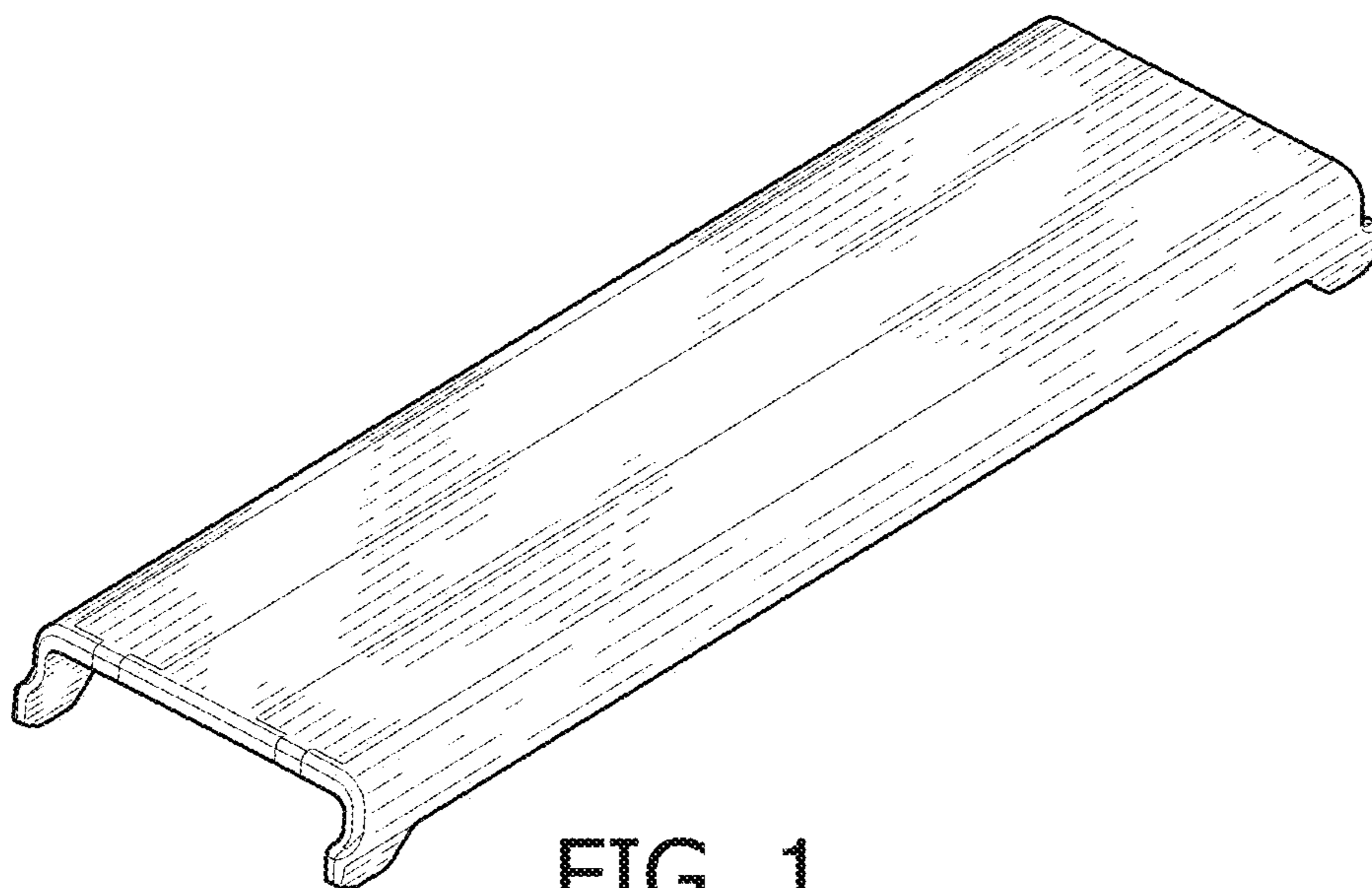


FIG. 1

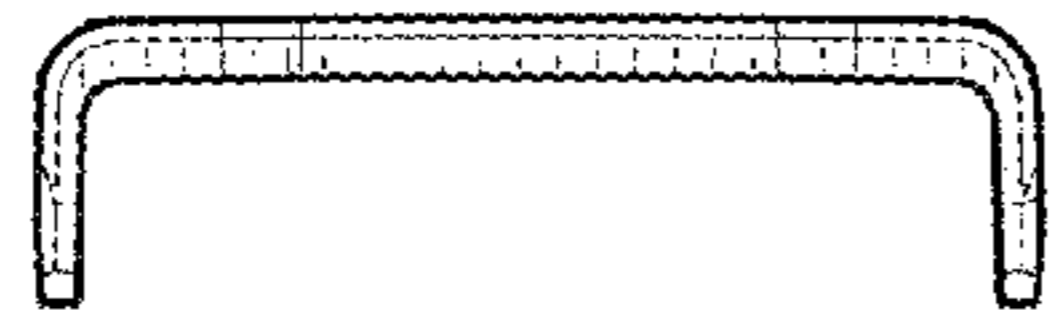


FIG. 2



FIG. 3

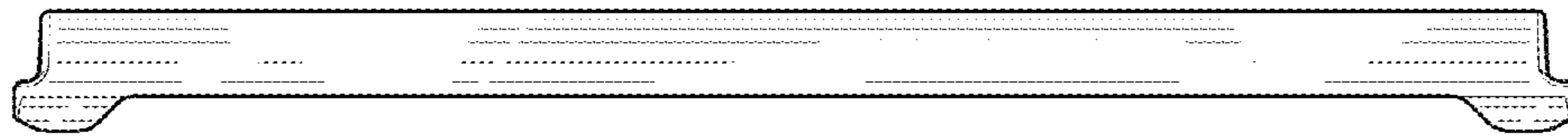


FIG. 4

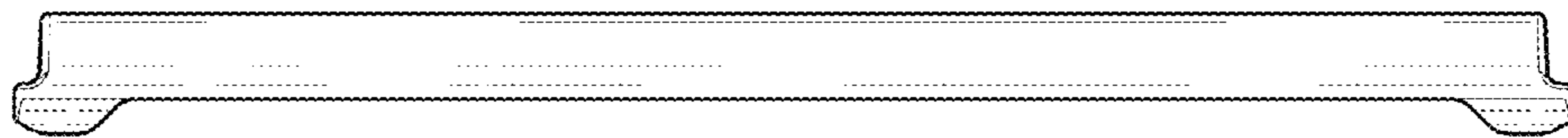


FIG. 5

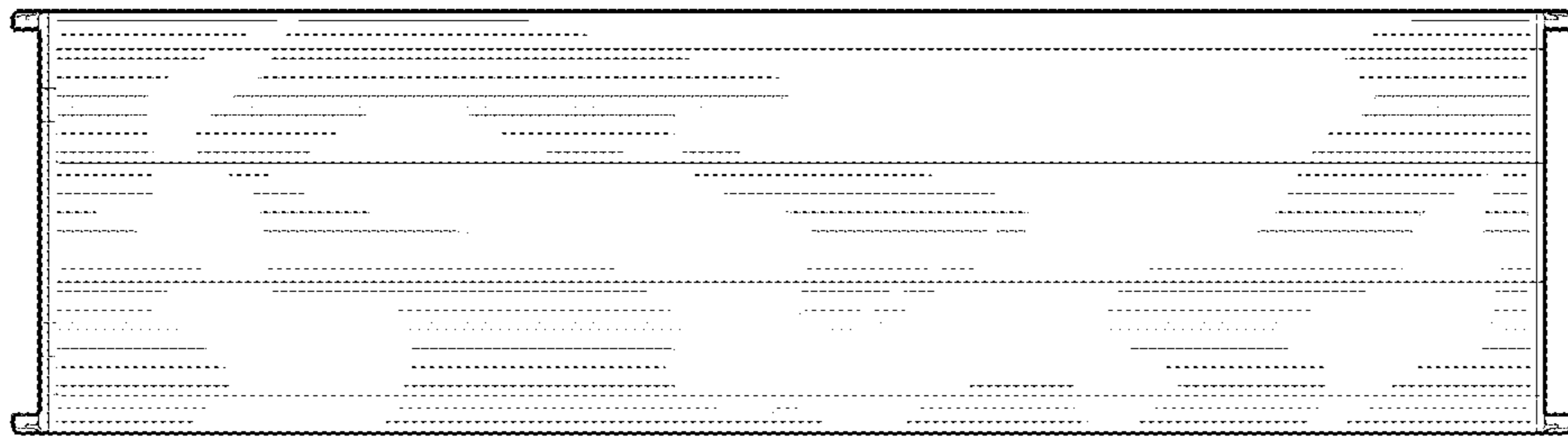


FIG. 6

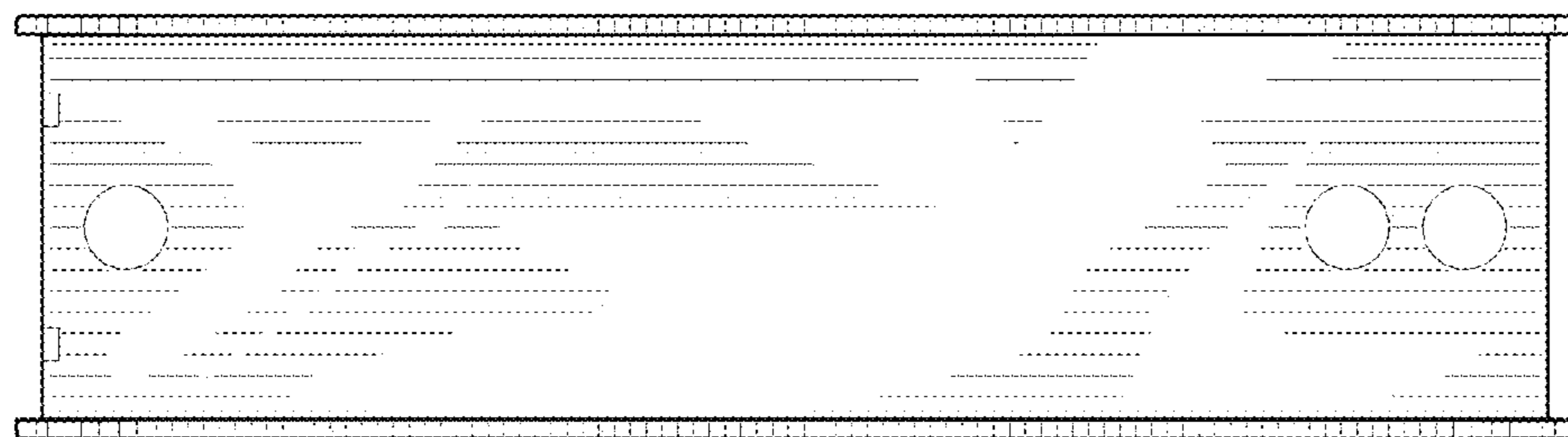


FIG. 7