



US00D726963S

(12) **United States Design Patent**
Sayers et al.

(10) **Patent No.:** **US D726,963 S**

(45) **Date of Patent:** **** Apr. 14, 2015**

(54) **TAPERED STYLING WAND**

(71) Applicant: **Jemella Group Limited**, Leeds (GB)

(72) Inventors: **Stephen Anthony Sayers**,
Buckinghamshire (GB); **Daniel Brady**,
Berkshire (GB)

(73) Assignee: **Jemella Group Limited**, Leeds (GB)

(**) Term: **14 Years**

(21) Appl. No.: **29/493,296**

(22) Filed: **Jun. 6, 2014**

(30) **Foreign Application Priority Data**

Dec. 19, 2013 (EM) 001395230-0001

(51) **LOC (10) Cl.** **28-03**

(52) **U.S. Cl.**
USPC **D28/35**

(58) **Field of Classification Search**
CPC A45D 1/00–1/18; A45D 2/00–2/002
USPC D28/35–38; 219/222–226
See application file for complete search history.

(56) **References Cited**

U.S. PATENT DOCUMENTS

D651,343	S	*	12/2011	Robson	D28/35
D658,330	S	*	4/2012	Yue	D28/35
D672,501	S	*	12/2012	Kim	D28/35
D698,489	S	*	1/2014	Byun	D28/35
2008/0135537	A1	*	6/2008	Suber et al.	219/225
2011/0259356	A1	*	10/2011	Barton et al.	132/227
2013/0263883	A1	*	10/2013	Story	132/229
2014/0076349	A1	*	3/2014	Deng	132/211

* cited by examiner

Primary Examiner — Jennifer Rivard

(74) *Attorney, Agent, or Firm* — Michael J. Brown

(57) **CLAIM**

The ornamental design for a tapered styling wand, as shown and described.

DESCRIPTION

FIG. 1 is a front perspective view of the new ornamental tapered styling wand of the present invention.

FIG. 2 is a left side view thereof.

FIG. 3 is a right side view thereof.

FIG. 4 is a rear perspective view thereof.

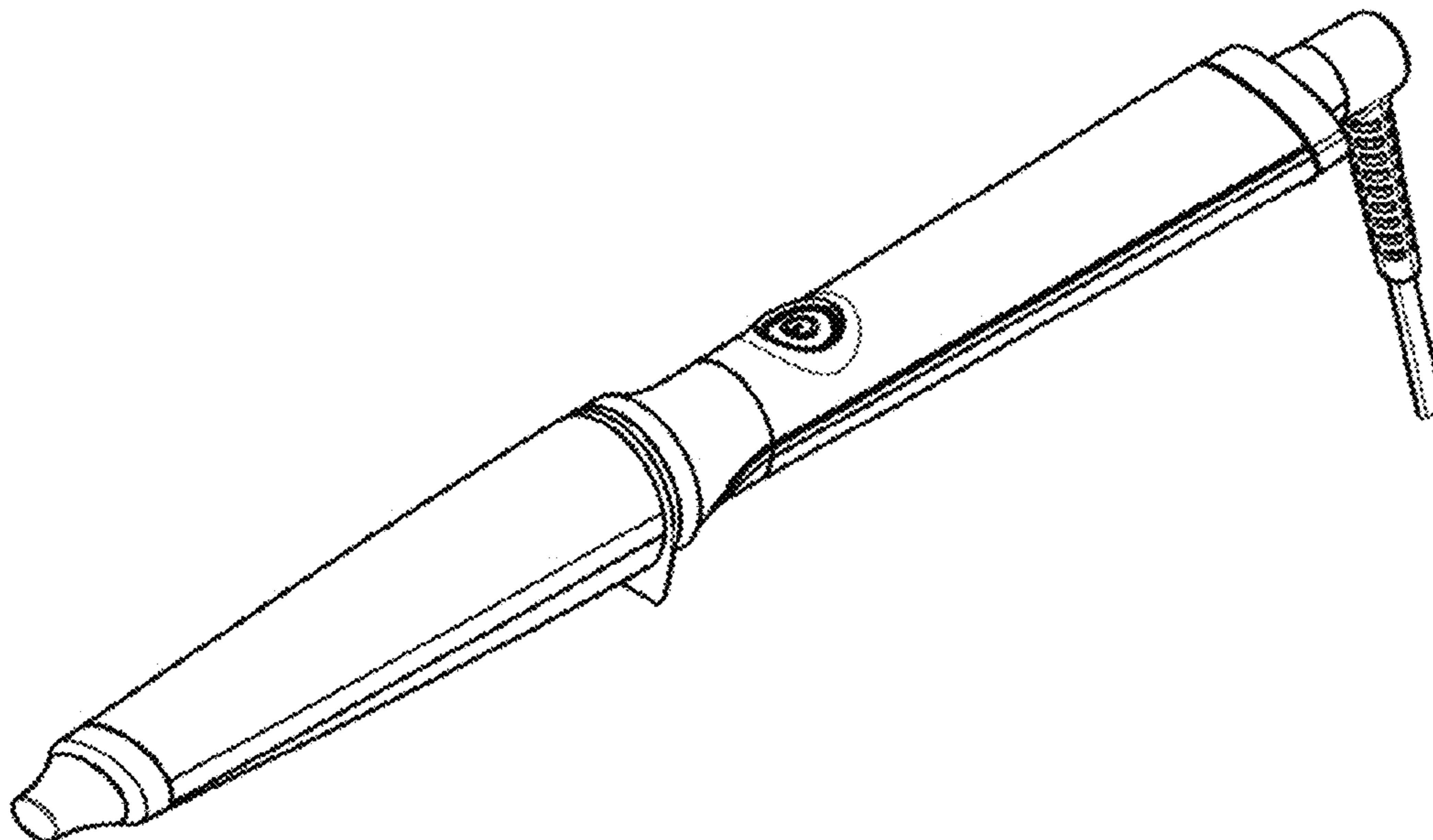
FIG. 5 is a front view thereof.

FIG. 6 is a rear view thereof.

FIG. 7 is a bottom view thereof; and,

FIG. 8 is a top view thereof.

1 Claim, 4 Drawing Sheets



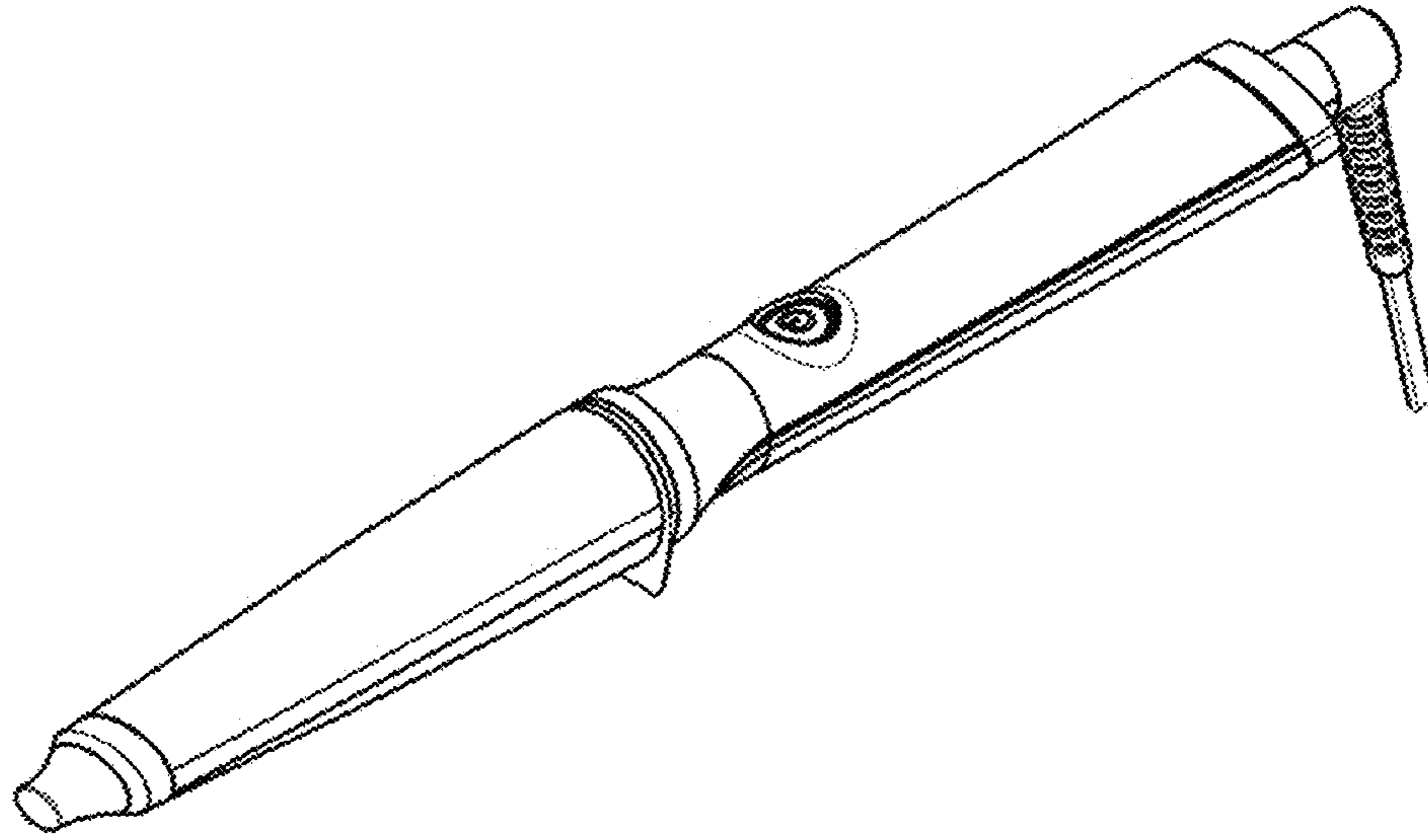


Fig. 1

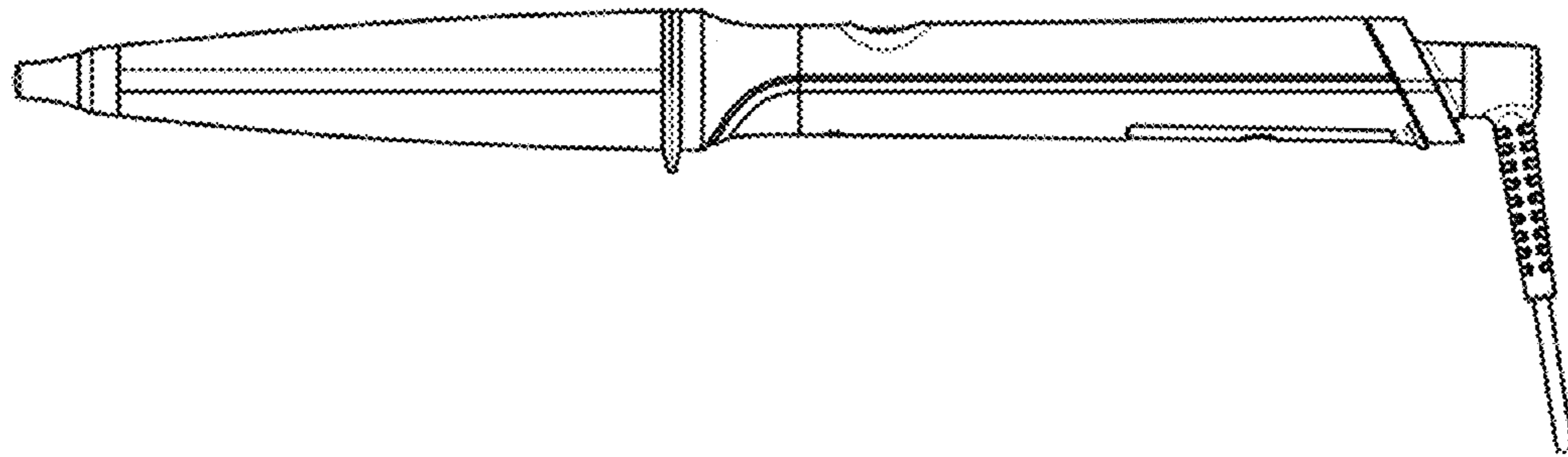


Fig. 2

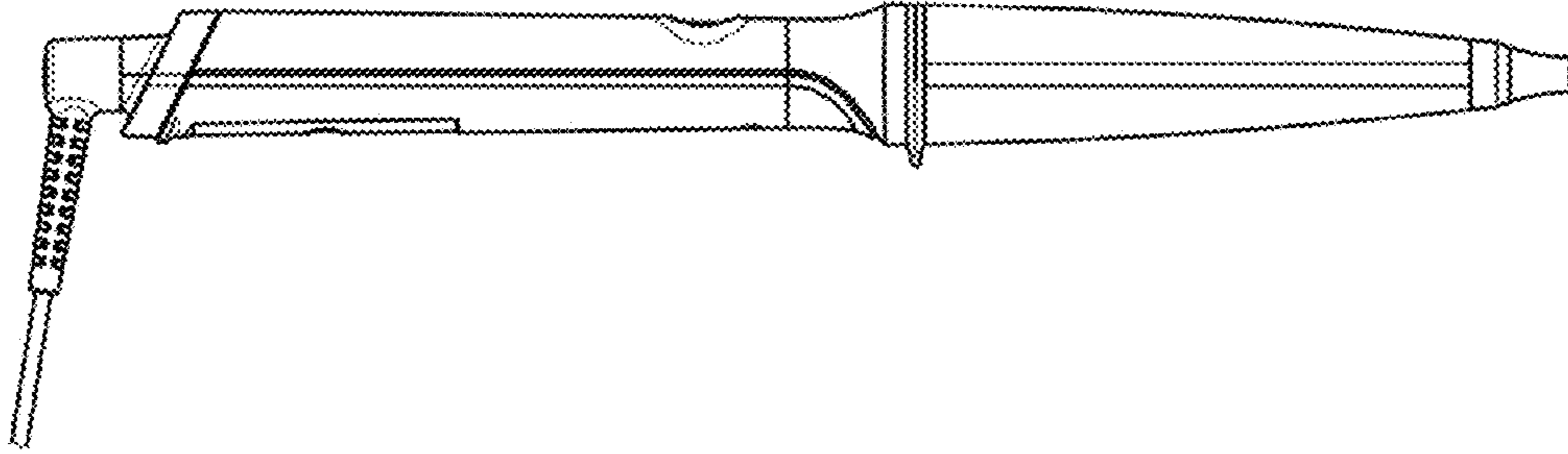


Fig. 3

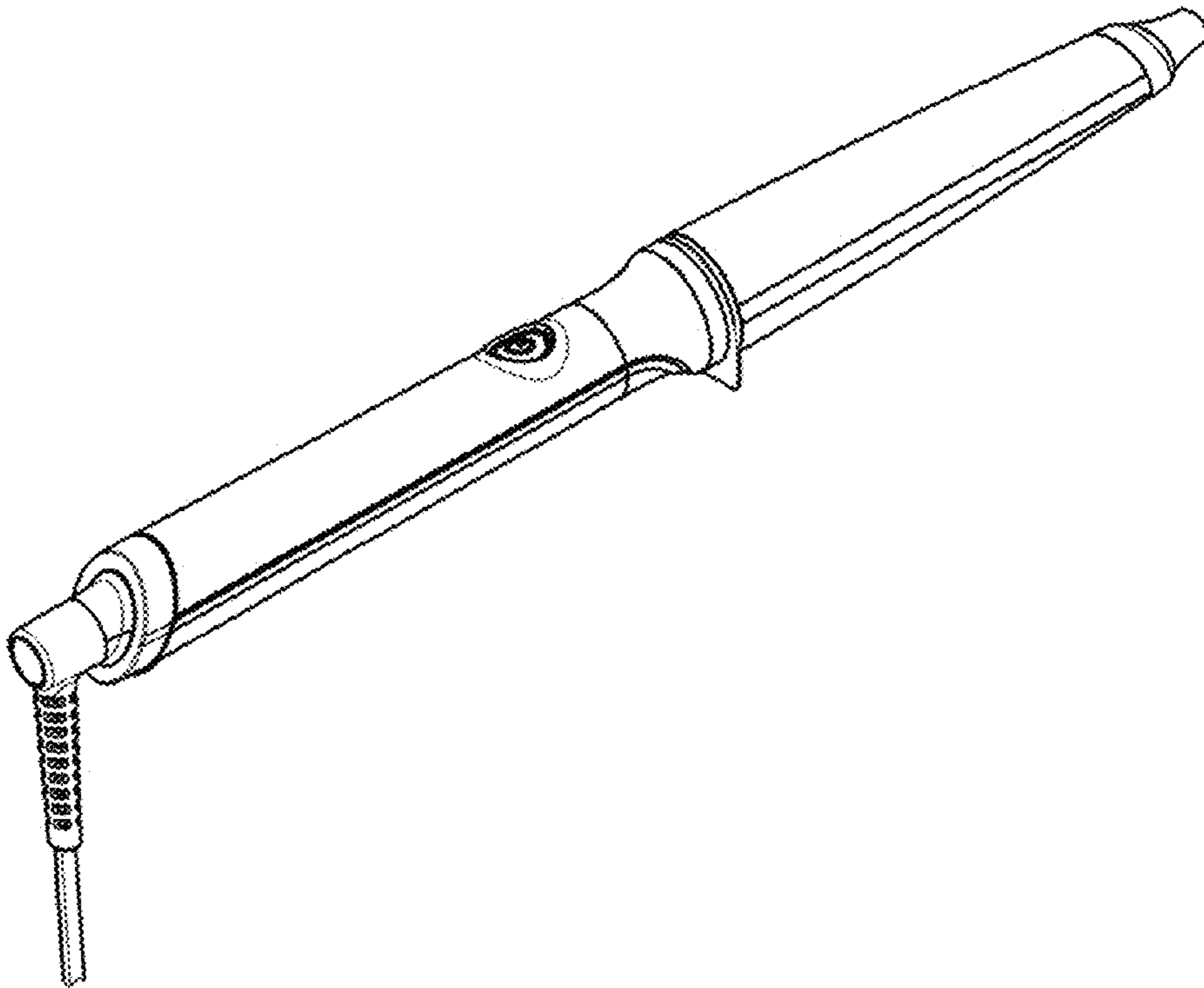


Fig. 4

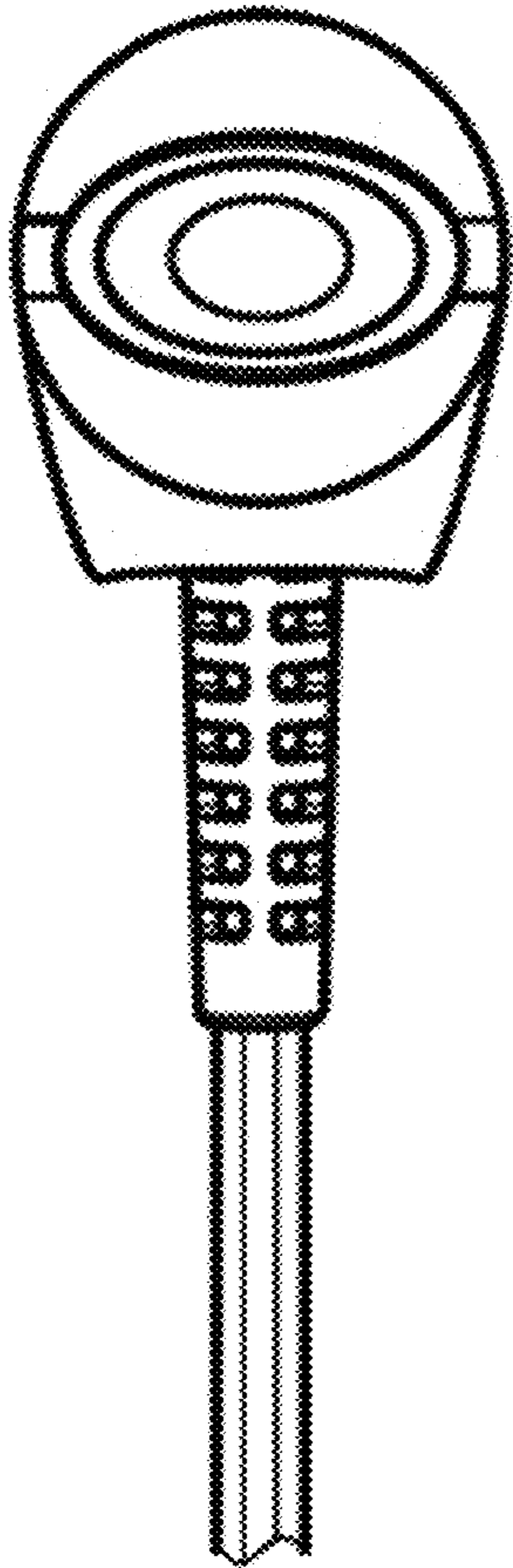


Fig. 5

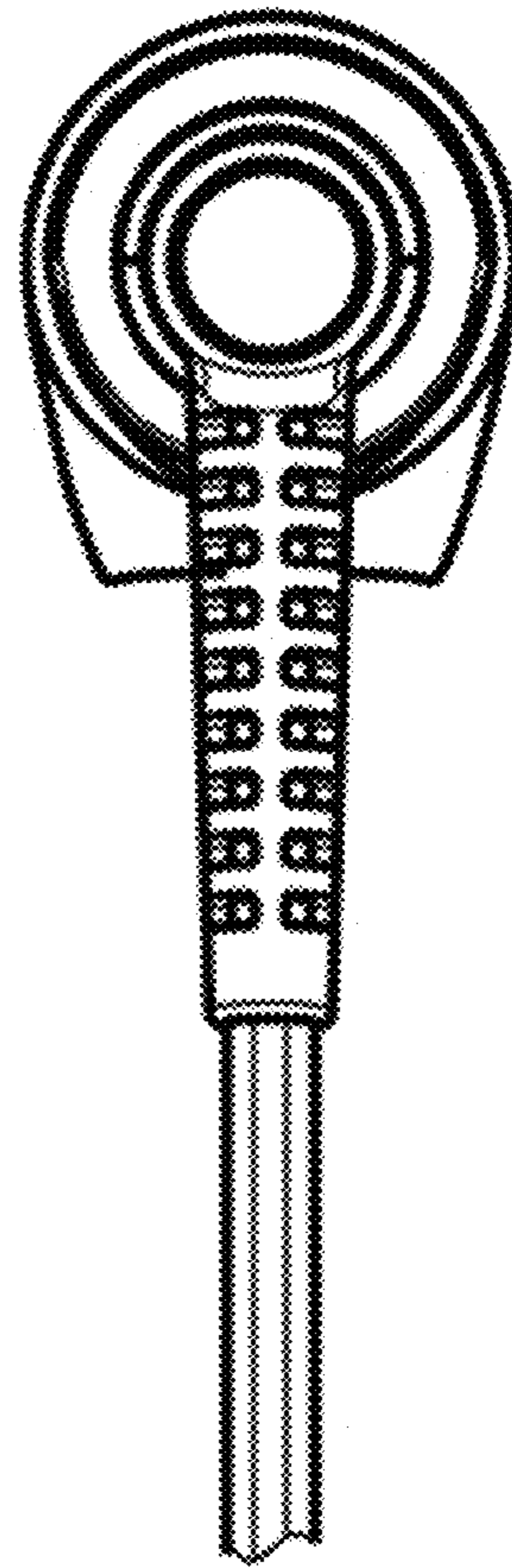


Fig. 6

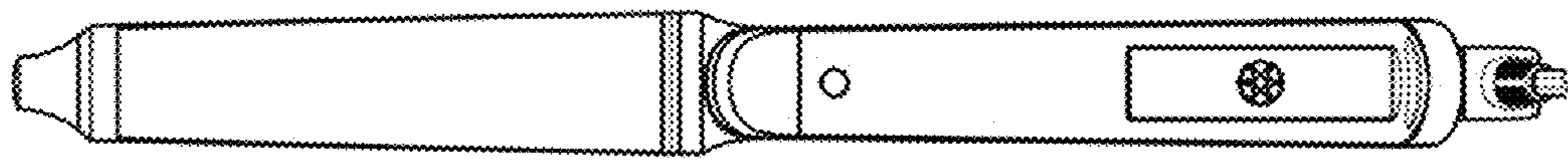


Fig. 7

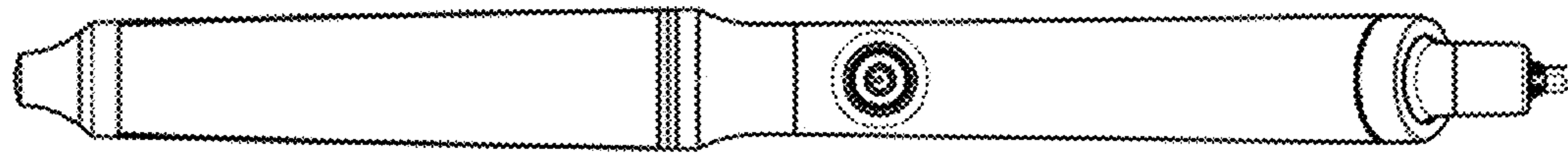


Fig. 8