



US00D726962S

(12) **United States Design Patent**
Sayers et al.

(10) **Patent No.:** **US D726,962 S**
(45) **Date of Patent:** **** Apr. 14, 2015**

- (54) **OVAL STYLING WAND**
- (71) Applicant: **Jemella Group Limited**, Leeds (GB)
- (72) Inventors: **Stephen Anthony Sayers**,
Buckinghamshire (GB); **Daniel Brady**,
Berkshire (GB)
- (73) Assignee: **Jemella Group Limited**, Leeds (GB)
- (**) Term: **14 Years**
- (21) Appl. No.: **29/493,295**
- (22) Filed: **Jun. 6, 2014**
- (30) **Foreign Application Priority Data**

Dec. 19, 2013 (EM) 001395016-0001

- (51) **LOC (10) Cl.** **28-03**
- (52) **U.S. Cl.**
USPC **D28/35**
- (58) **Field of Classification Search**
CPC A45D 1/00–1/18; A45D 2/00–2/002
USPC D28/35–38; 219/222–226
See application file for complete search history.

(56) **References Cited**

U.S. PATENT DOCUMENTS

D646,023 S * 9/2011 Kim D28/35

D672,499 S *	12/2012	Kim	D28/35
D713,096 S *	9/2014	Kim	D28/35
2011/0203606 A1 *	8/2011	Recchion et al.	132/269
2012/0017933 A1 *	1/2012	Gold	132/227

* cited by examiner

Primary Examiner — Jennifer Rivard

(74) *Attorney, Agent, or Firm* — Michael J. Brown

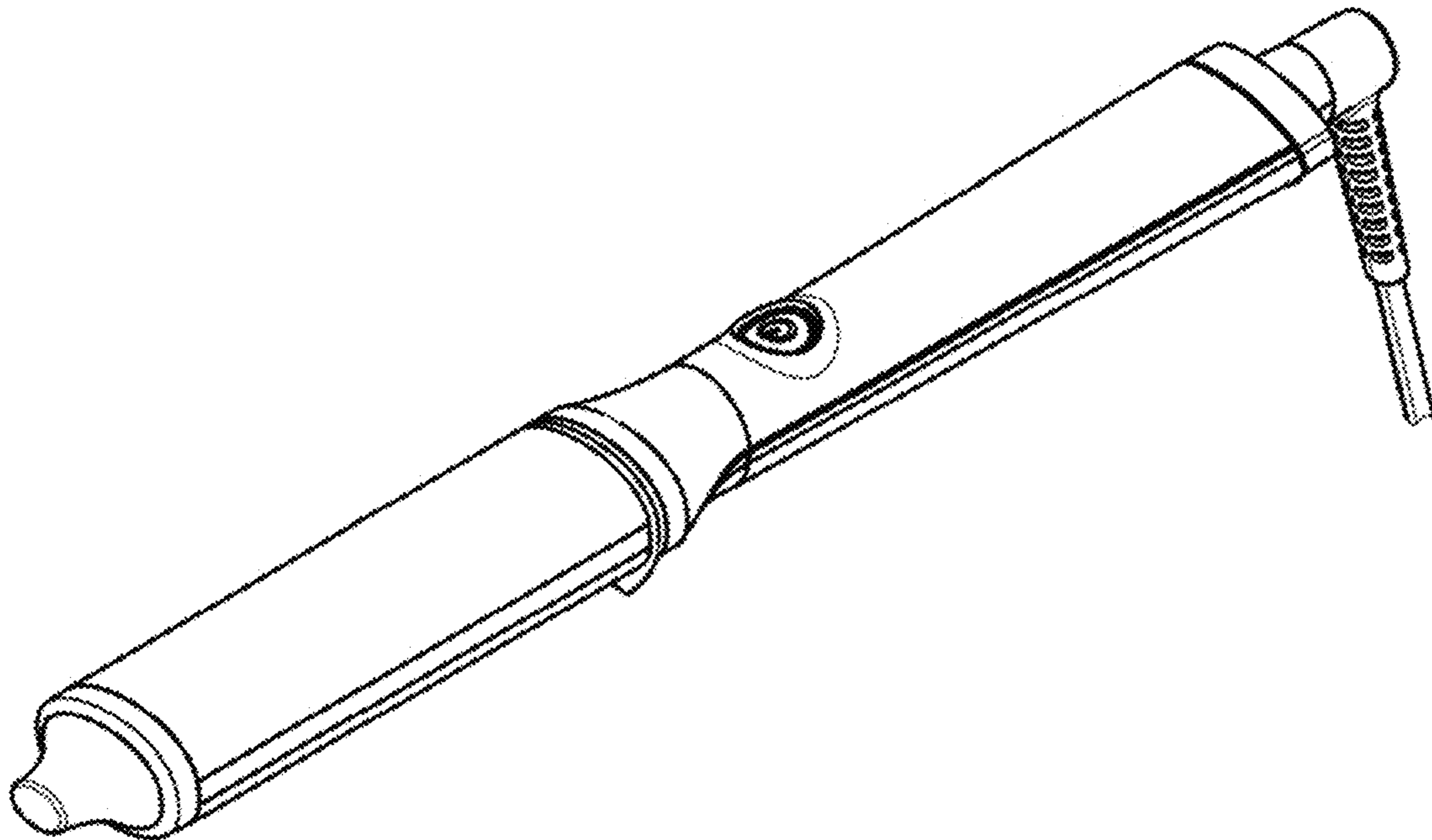
(57) **CLAIM**

The ornamental design for an oval styling wand, as shown and described.

DESCRIPTION

FIG. 1 is a front perspective view of the new ornamental oval styling wand of the present invention.
 FIG. 2 is a left side view thereof.
 FIG. 3 is a right side view thereof.
 FIG. 4 is a rear perspective view thereof.
 FIG. 5 is a front view thereof.
 FIG. 6 is a rear view thereof.
 FIG. 7 is a bottom view thereof; and,
 FIG. 8 is a top view thereof.

1 Claim, 4 Drawing Sheets



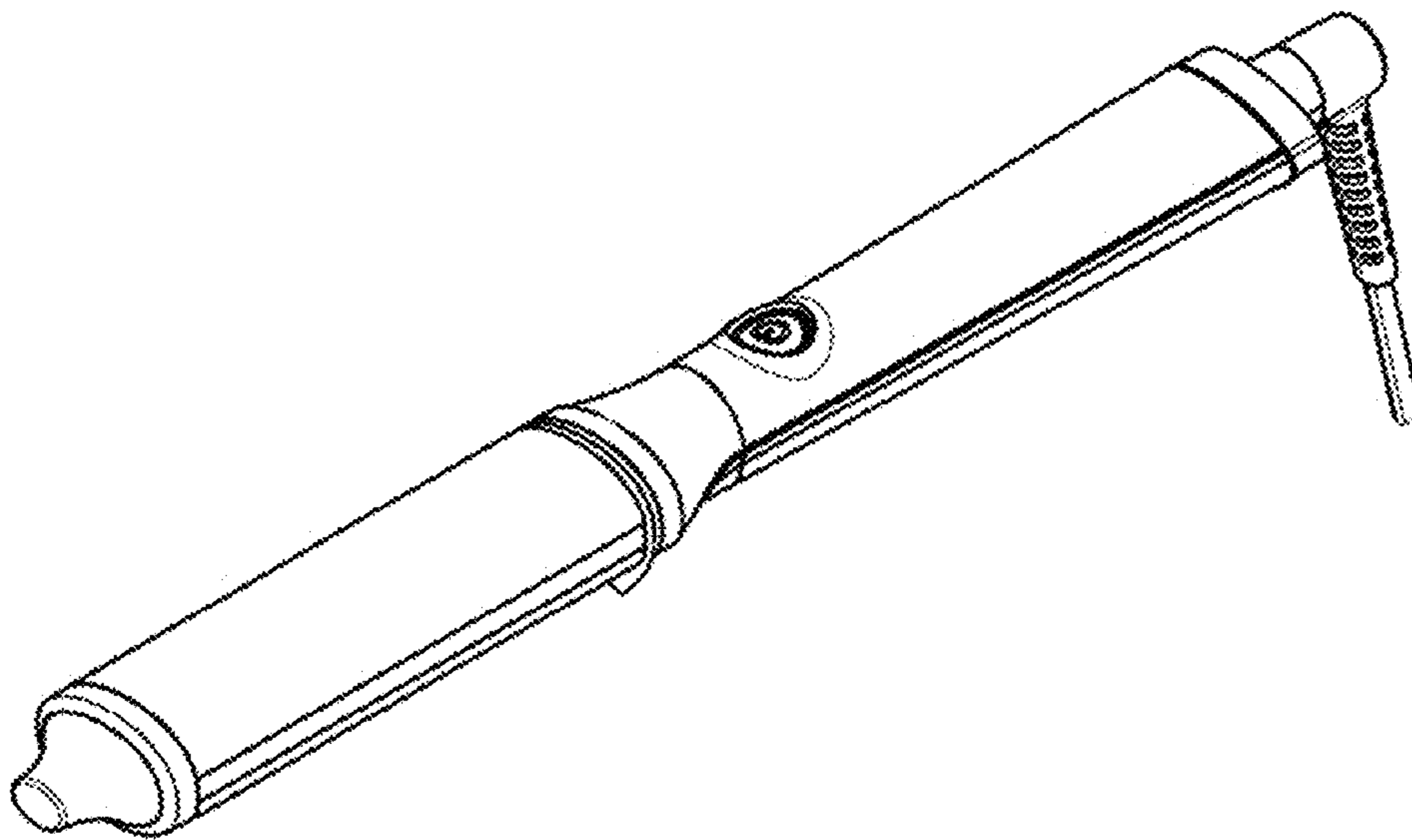


Fig. 1

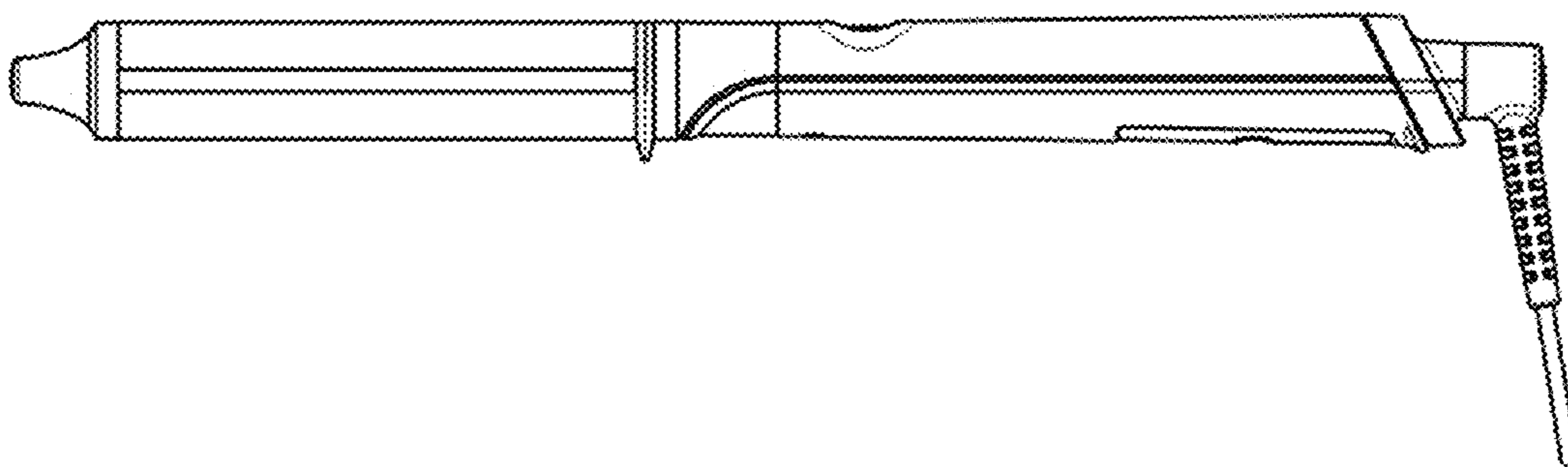


Fig. 2

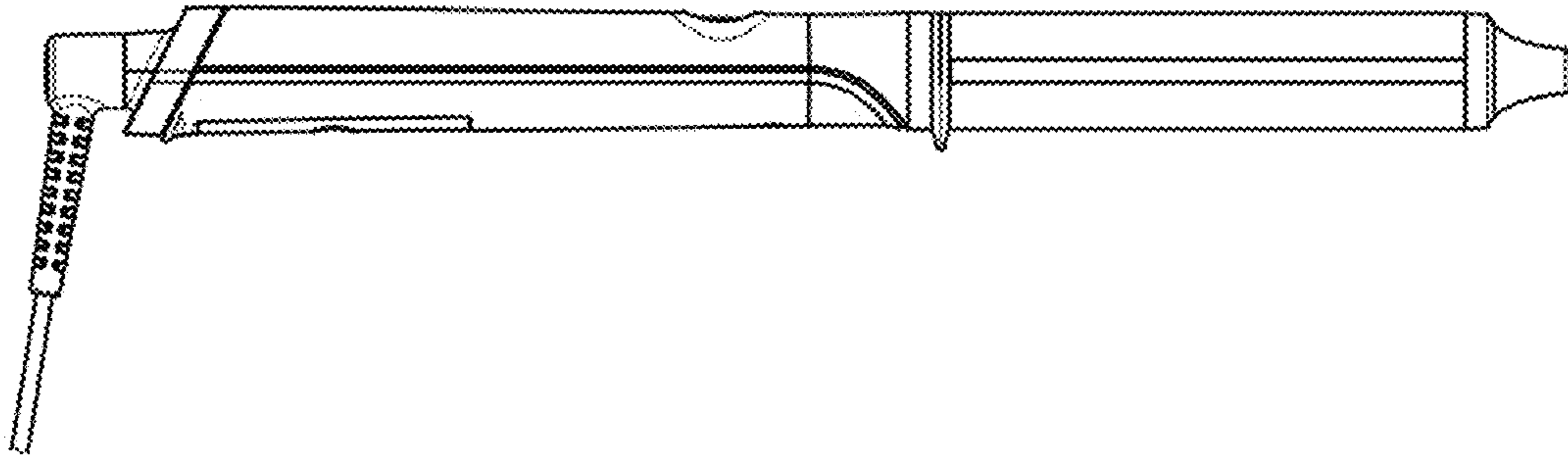


Fig. 3

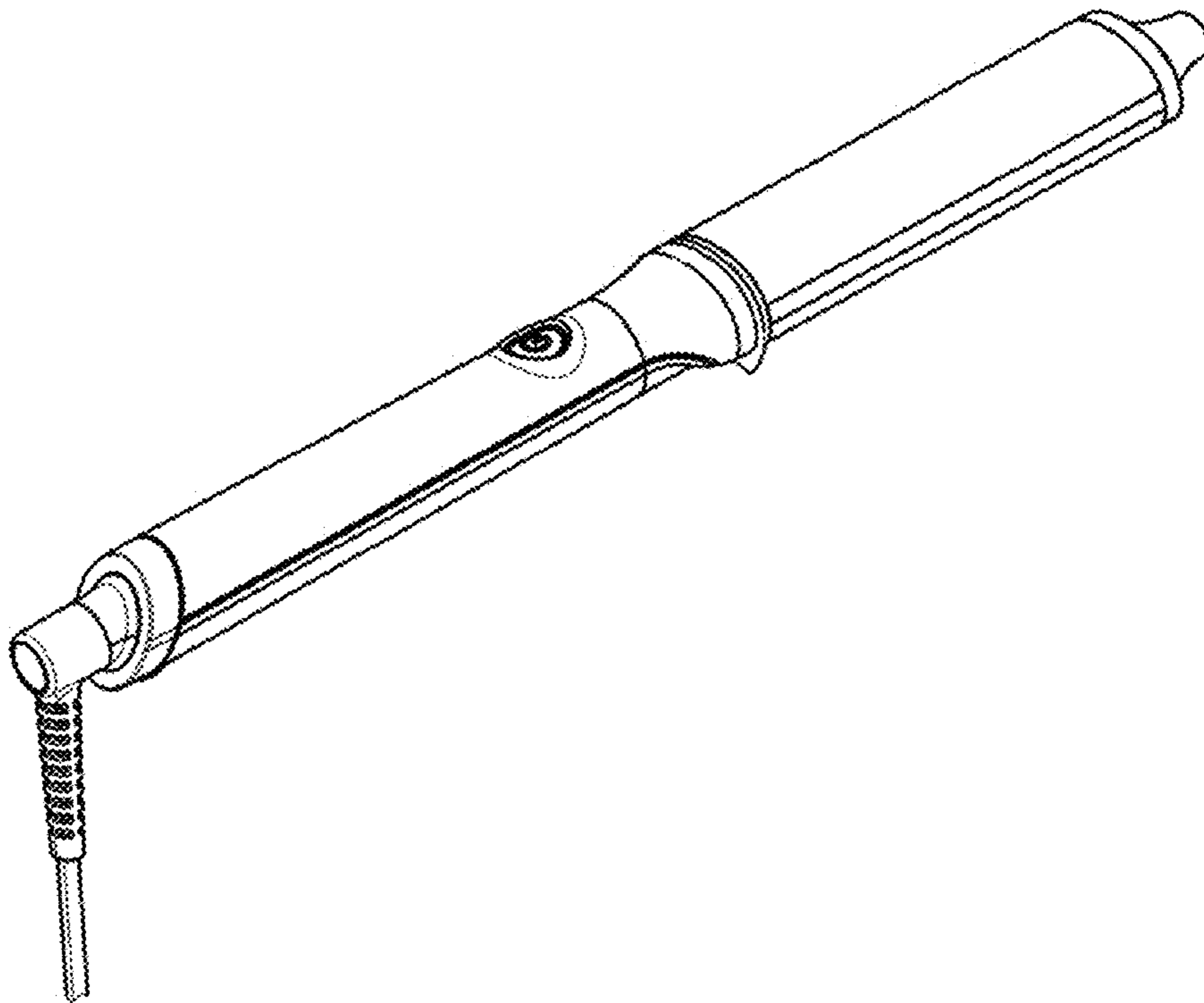


Fig. 4

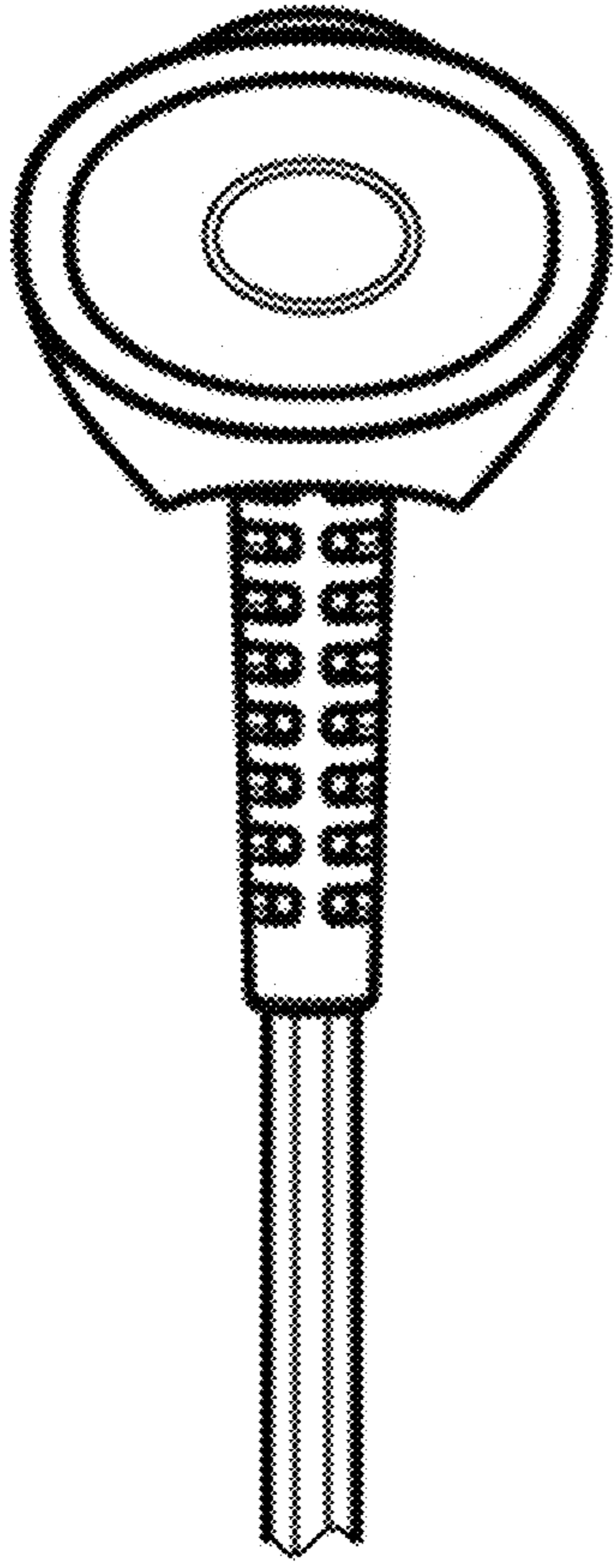


Fig. 5

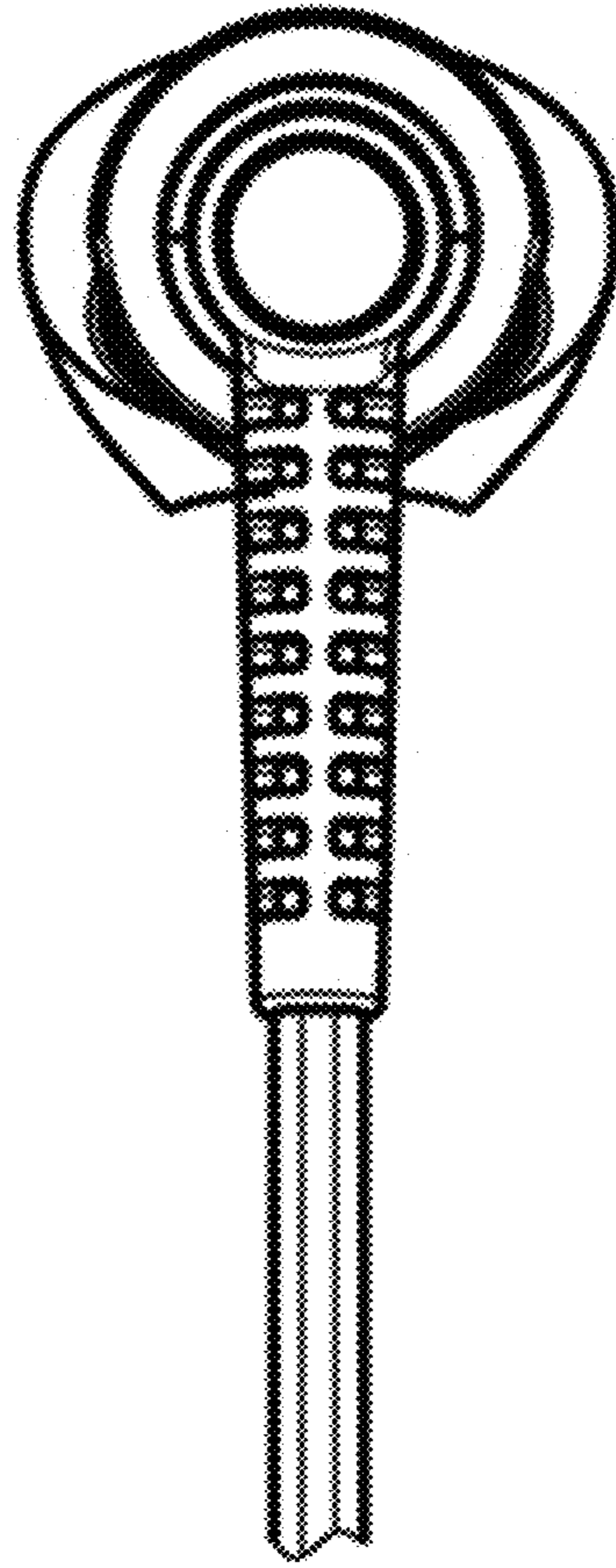


Fig. 6

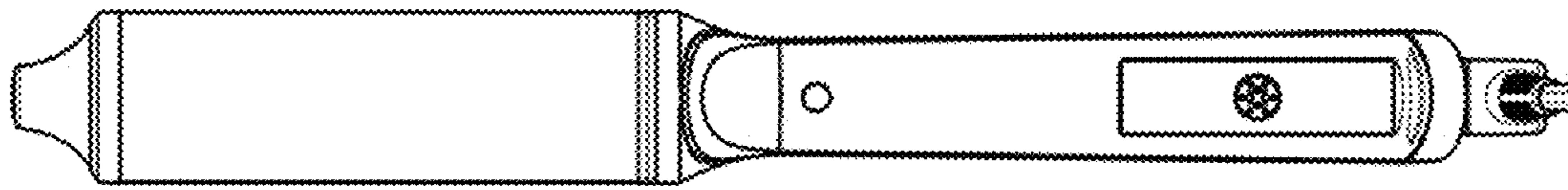


Fig. 7

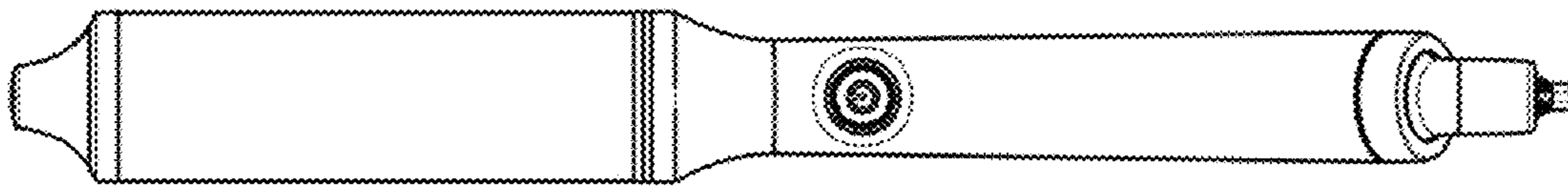


Fig. 8