



US00D726961S

(12) **United States Design Patent**
Sayers et al.

(10) **Patent No.:** **US D726,961 S**

(45) **Date of Patent:** **** Apr. 14, 2015**

(54) **CURLING IRON**

D629,563 S * 12/2010 Mau D28/35
2011/0203606 A1* 8/2011 Recchion et al. 132/269

(71) Applicant: **Jemella Group Limited**, Leeds (GB)

* cited by examiner

(72) Inventors: **Stephen Anthony Sayers**,
Buckinghamshire (GB); **Daniel Brady**,
Berkshire (GB)

Primary Examiner — Jennifer Rivard

(73) Assignee: **Jemella Group Limited**, Leeds (GB)

(74) *Attorney, Agent, or Firm* — Michael J. Brown

(**) Term: **14 Years**

(57) **CLAIM**

(21) Appl. No.: **29/493,294**

The ornamental design for a curling iron, as shown and described.

(22) Filed: **Jun. 6, 2014**

(30) **Foreign Application Priority Data**

DESCRIPTION

Dec. 19, 2013 (EM) 001394993-0001

(51) **LOC (10) Cl.** **28-03**

(52) **U.S. Cl.**
USPC **D28/35**

(58) **Field of Classification Search**
CPC A45D 1/00–1/18; A45D 2/00–2/002
USPC D28/35–38; 219/222–226
See application file for complete search history.

FIG. 1 is a front perspective view of the new ornamental curling iron of the present invention.

FIG. 2 is a left side view thereof.

FIG. 3 is a right side view thereof.

FIG. 4 is a rear perspective view thereof.

FIG. 5 is a front view thereof.

FIG. 6 is a rear view thereof.

FIG. 7 is a bottom view thereof; and,

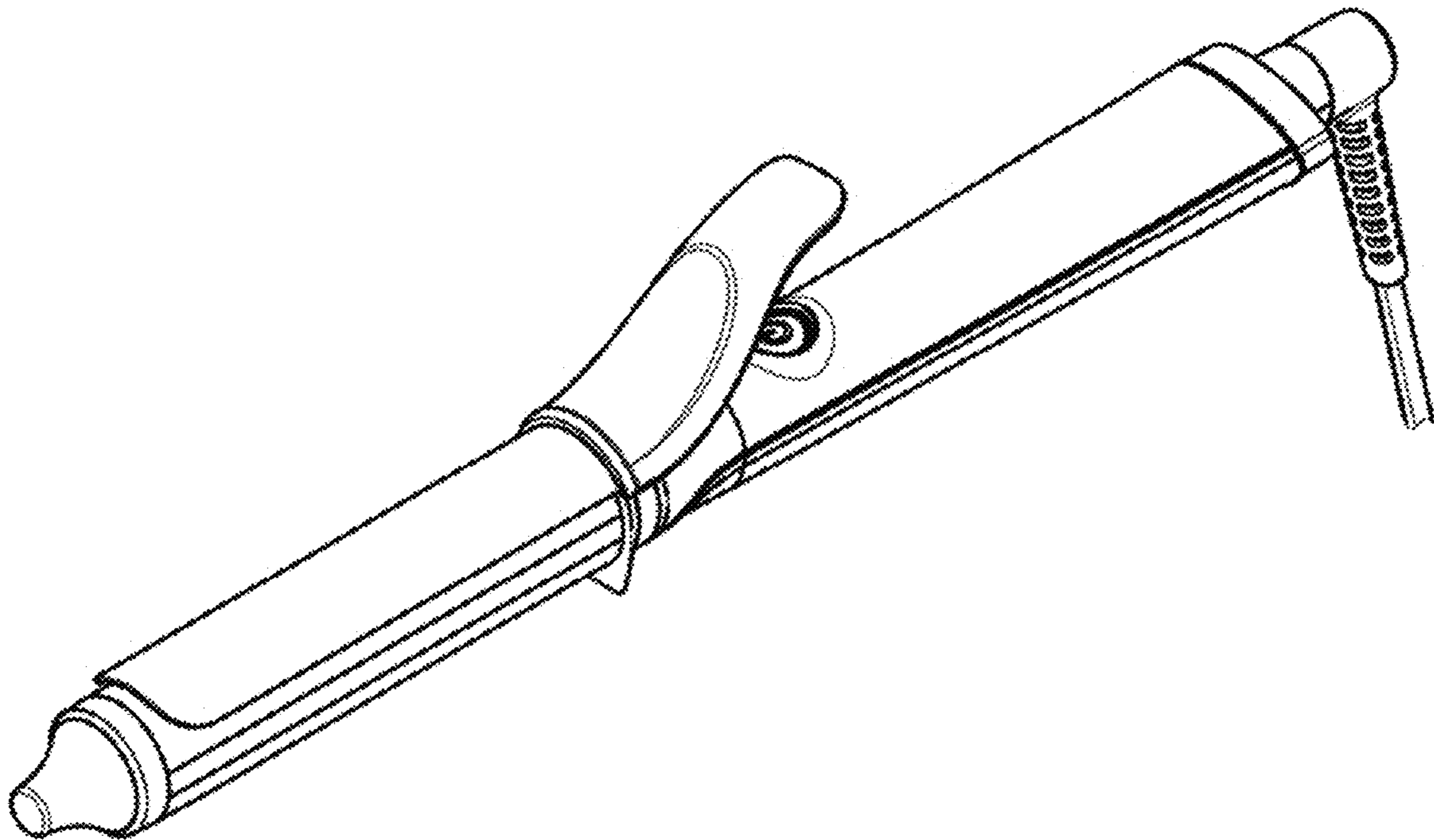
FIG. 8 is a top view thereof.

(56) **References Cited**

U.S. PATENT DOCUMENTS

D331,296 S * 11/1992 Smal D28/35
D618,394 S * 6/2010 Keong D28/35

1 Claim, 4 Drawing Sheets



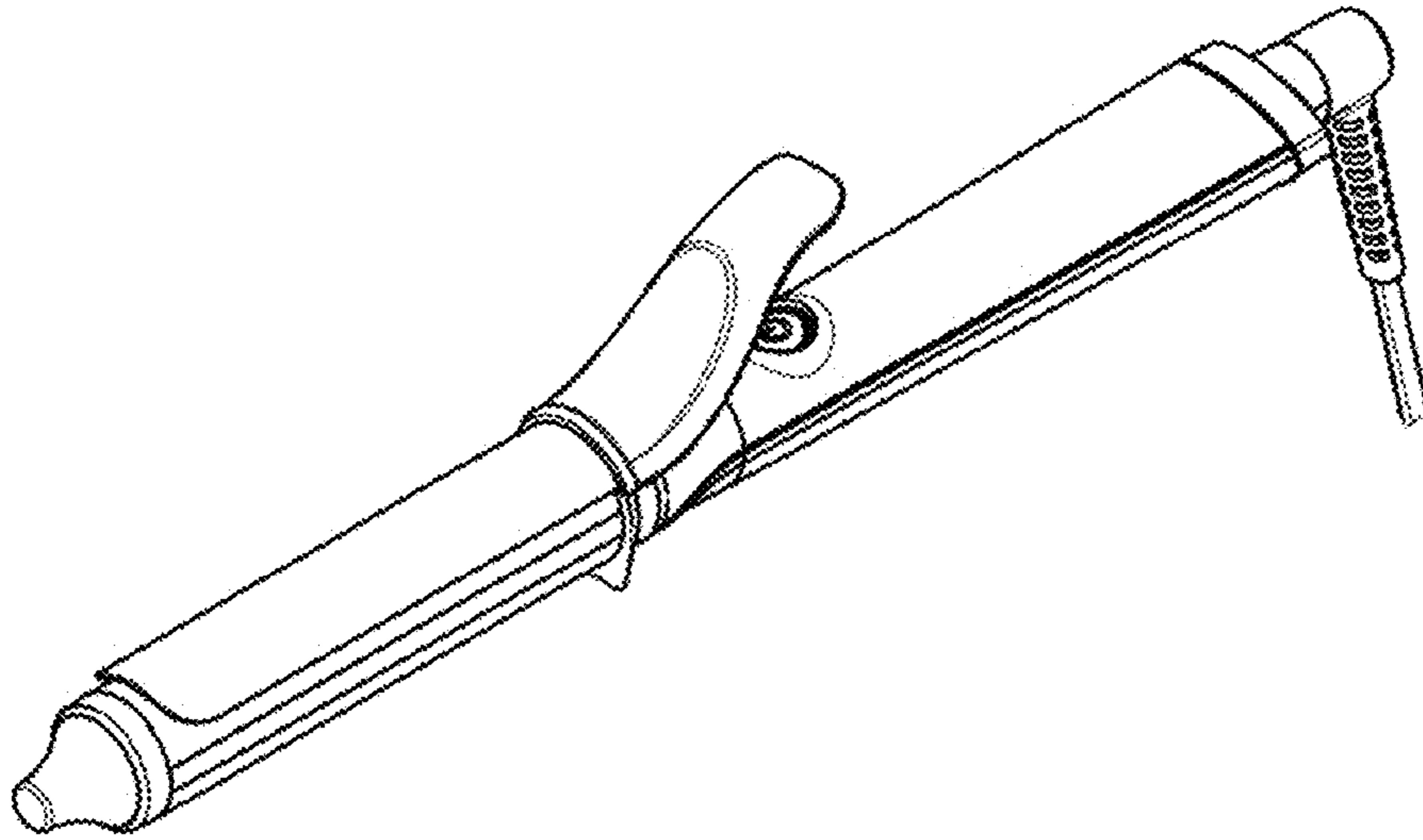


Fig. 1

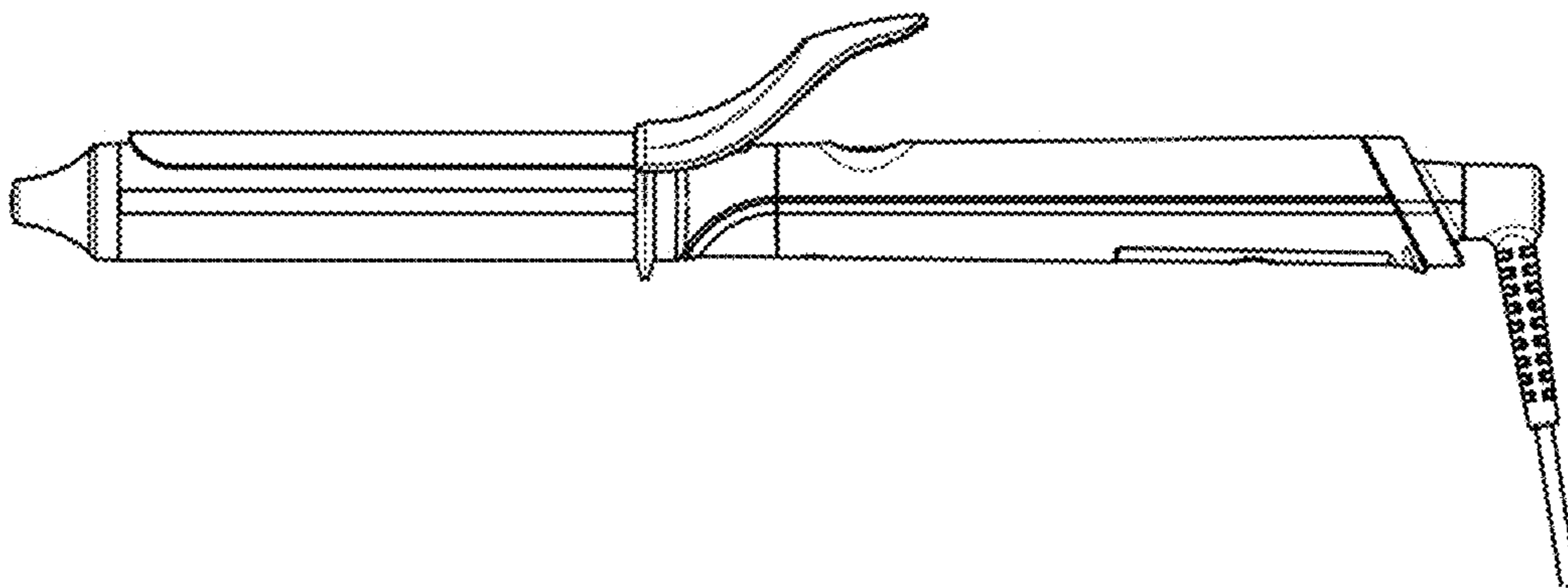


Fig. 2

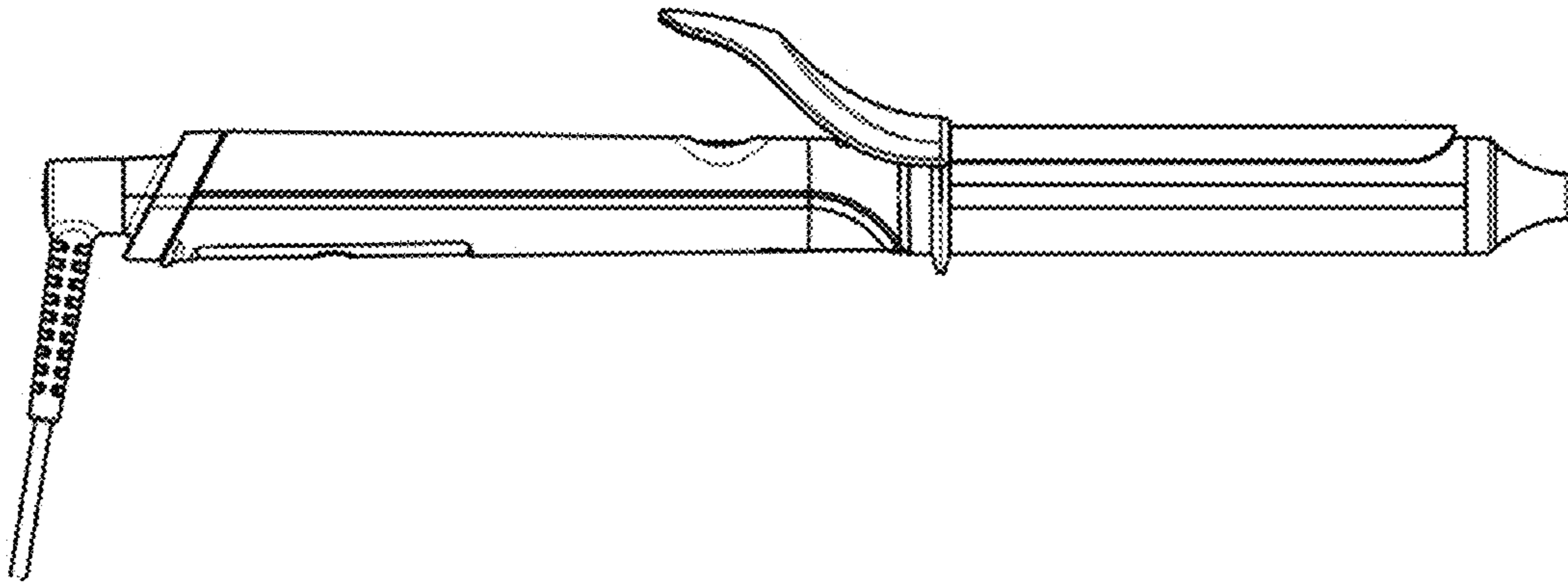


Fig. 3

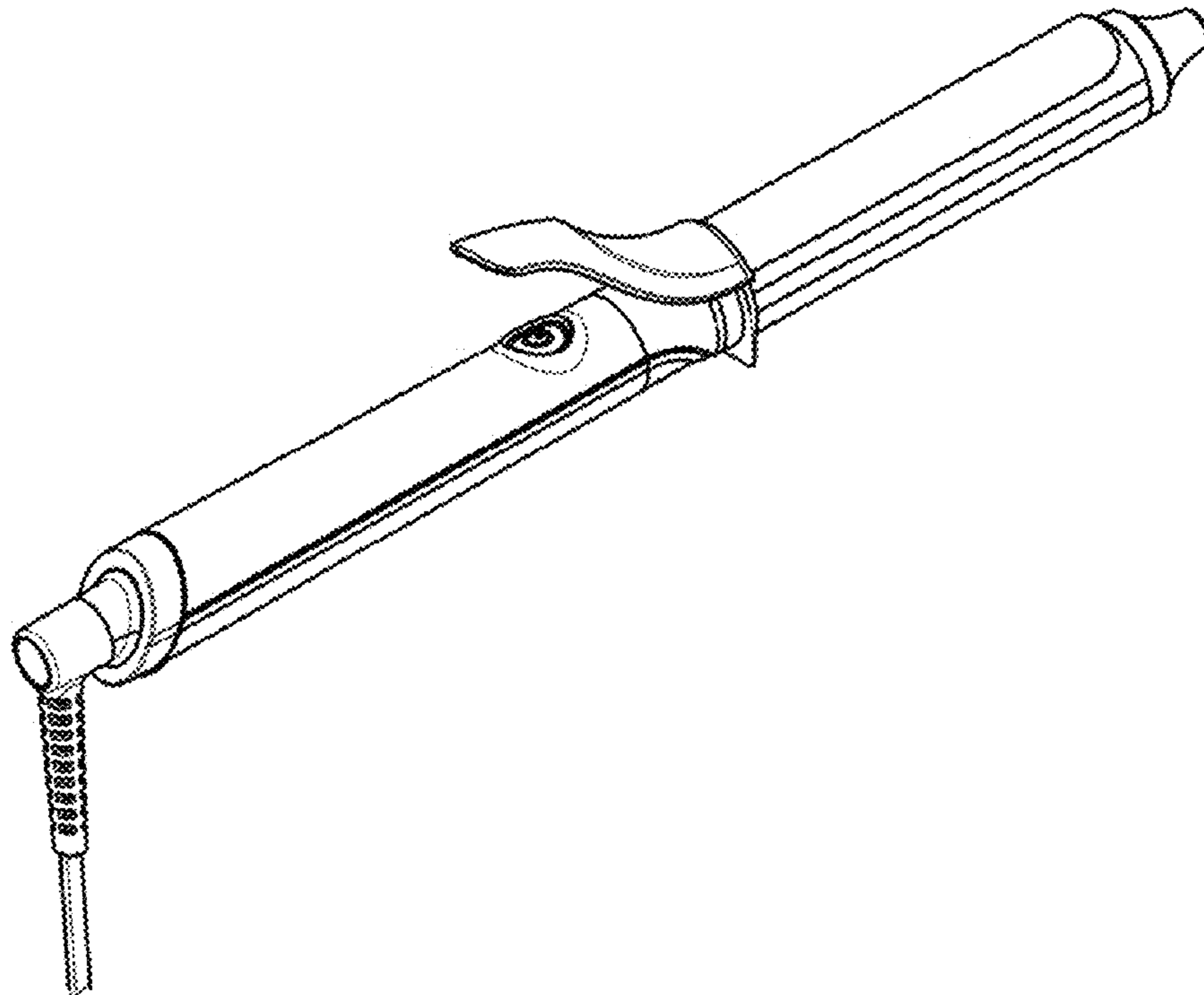


Fig. 4

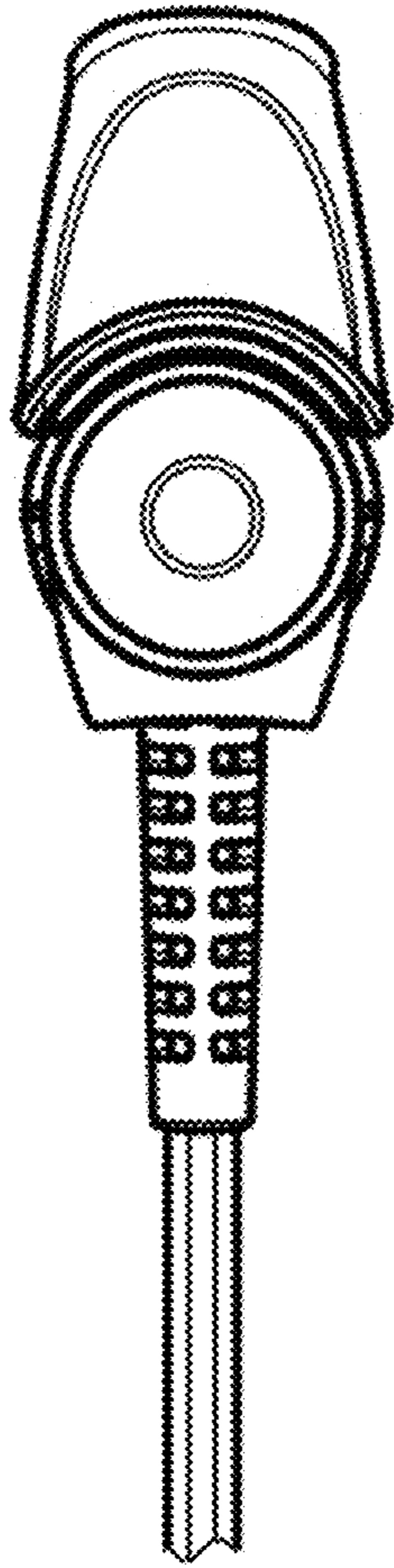


Fig. 5

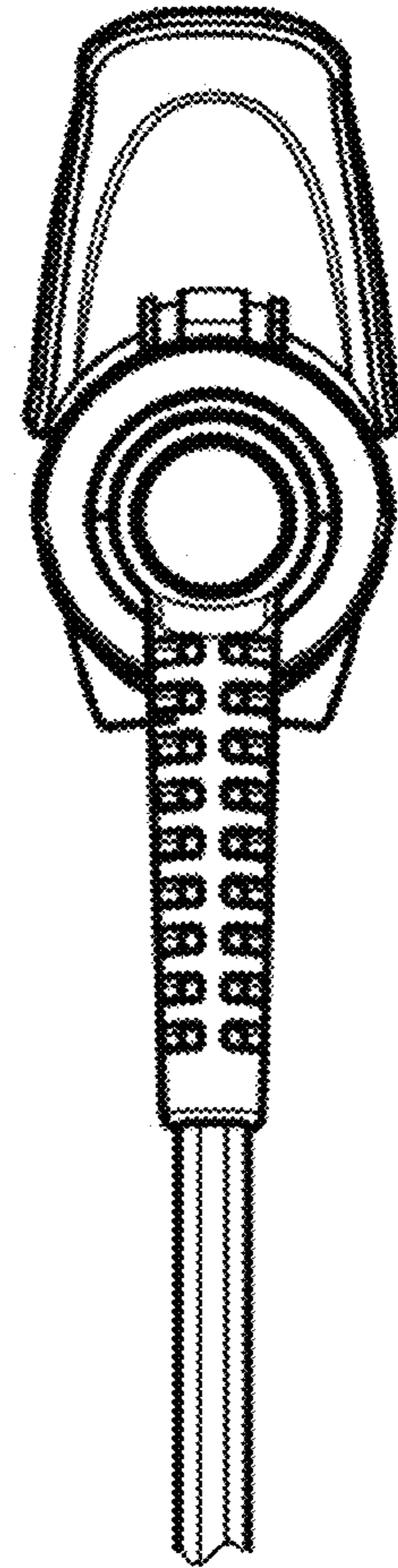


Fig. 6

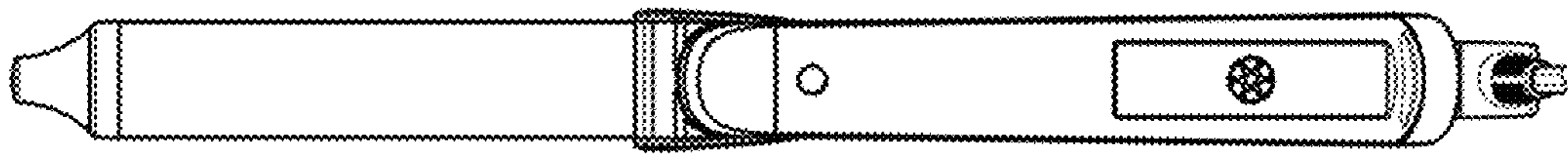


Fig. 7



Fig. 8