



US00D726960S

(12) **United States Design Patent**
Fernandes da Costa

(10) **Patent No.:** **US D726,960 S**
(45) **Date of Patent:** **** Apr. 14, 2015**

(54) **NOISE REDUCING FILTER END CAP FOR A HAIR DRYER**

(71) Applicant: **Conair Corporation**, Stamford, CT (US)

(72) Inventor: **Sergio Lopes Fernandes da Costa**, Danbury, CT (US)

(73) Assignee: **Conair Corporation**, Stamford, CT (US)

(**) Term: **14 Years**

(21) Appl. No.: **29/475,231**

(22) Filed: **Dec. 2, 2013**

(51) **LOC (10) Cl.** **28-03**

(52) **U.S. Cl.**
USPC **D28/18**

(58) **Field of Classification Search**
CPC A45D 20/00
USPC D28/12-19; 34/96-101; 392/380-385;
219/222
See application file for complete search history.

(56) **References Cited**

U.S. PATENT DOCUMENTS

4,658,511	A *	4/1987	Mahlich et al.	34/97
5,216,822	A	6/1993	Madiedo	
5,433,017	A	7/1995	Brauchli et al.	
5,490,336	A	2/1996	Smick et al.	
5,555,637	A	9/1996	Montagnino	
D393,926	S	4/1998	Kling	
5,810,911	A	9/1998	Behrendt et al.	
5,841,943	A	11/1998	Nosenchuck	
5,875,562	A	3/1999	Fogarty	
6,011,903	A	1/2000	Nosenchuck	
D454,411	S	3/2002	Yeung	
D455,227	S	4/2002	Micinilio	
6,367,162	B2 *	4/2002	Fukumoto et al.	34/97
D460,214	S	7/2002	Parodi	
D472,672	S	4/2003	Altamore et al.	

D494,710	S	8/2004	Parodi	
D496,754	S	9/2004	Parodi	
6,798,982	B2	9/2004	Ryu et al.	
D499,209	S	11/2004	Ikesaki	
6,829,805	B2 *	12/2004	Yang	15/347
D518,919	S	4/2006	Parodi	
D528,698	S	9/2006	Rizzuto, Jr.	
D537,565	S	2/2007	Shin	
7,204,038	B2	4/2007	Santhouse	

(Continued)

Primary Examiner — Zenia Bennett

(74) *Attorney, Agent, or Firm* — Carter, DeLuca, Farrell & Schmidt, LLP

(57) **CLAIM**

The ornamental design for the noise reducing filter end cap for a hair dryer, as shown and described.

DESCRIPTION

FIG. 1 is a perspective view of the noise reducing filter end cap for a hair dryer in accordance with the principles of the present disclosure illustrated mounted to a hair styler apparatus;

FIG. 2 is a front perspective view of the noise reducing filter end cap for a hair dryer;

FIG. 3 is a rear perspective view of the noise reducing filter end cap for a hair dryer;

FIG. 4 is a front axial view of the noise reducing filter end cap for a hair dryer;

FIG. 5 is a first side elevation view of noise reducing filter end cap for a hair dryer;

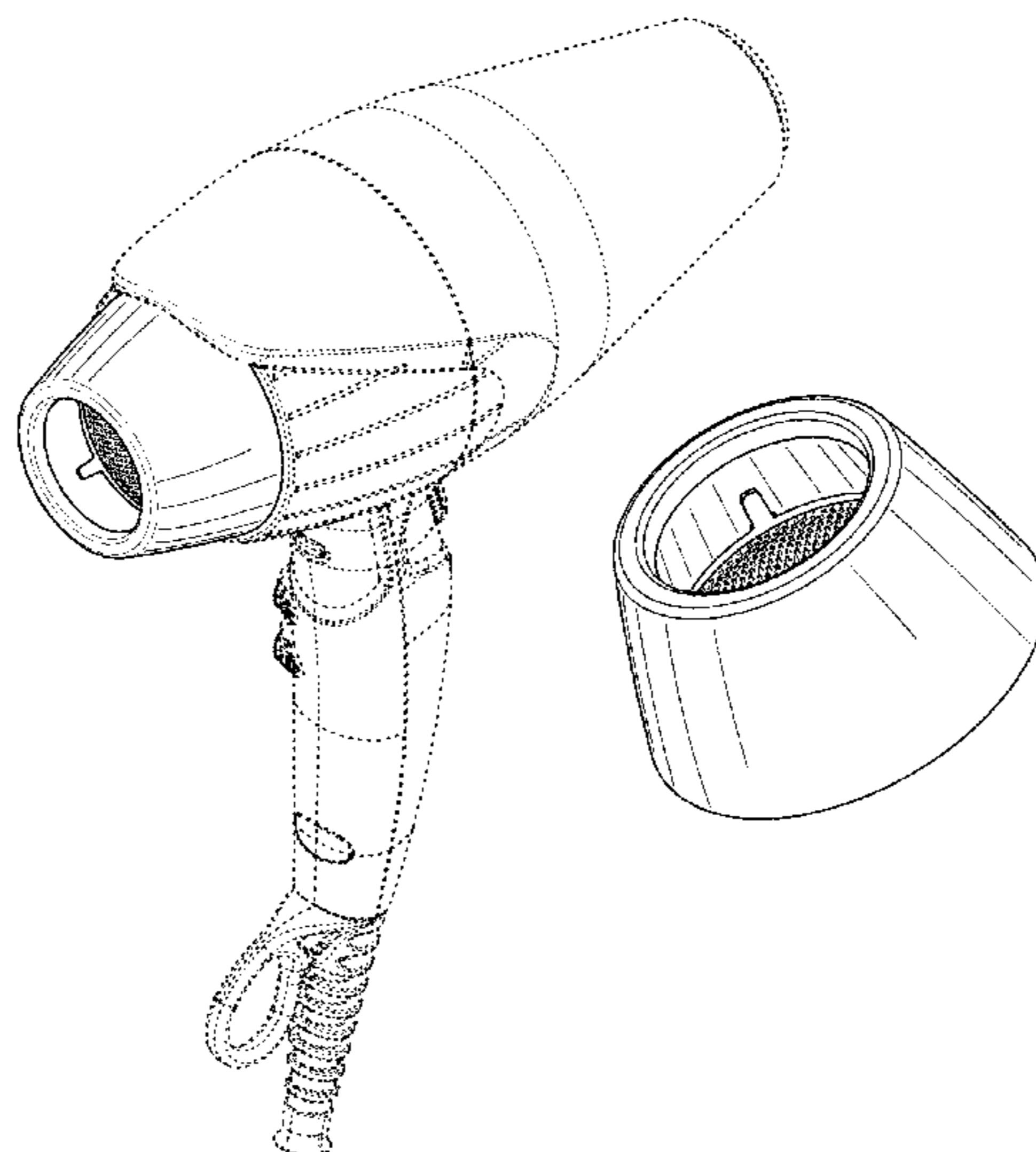
FIG. 6 is a second side elevation view of noise reducing filter end cap for a hair dryer;

FIG. 7 is a third side elevation view of the noise reducing filter end cap for a hair dryer; and,

FIG. 8 is a rear axial view of the noise reducing filter end cap for a hair dryer.

Any portions of the figures shown in broken lines are for illustrative purposes only and form no part of the claimed design.

1 Claim, 8 Drawing Sheets



(56)

References Cited

U.S. PATENT DOCUMENTS

D543,313 S	5/2007	Petrucelli, Jr.	D671,261 S	11/2012	Parodi
D544,147 S	6/2007	Baudouin	8,307,948 B2	11/2012	Parodi
D544,645 S	6/2007	Ceva	D677,834 S	3/2013	Sayers et al.
RE40,196 E *	4/2008	Sullivan 119/600	D678,607 S	3/2013	Parodi
D600,404 S	9/2009	Leung	D681,274 S	4/2013	Huang
D604,898 S *	11/2009	Parodi D28/13	D681,275 S	4/2013	Huang
D629,967 S	12/2010	Mayo et al.	2004/0093756 A1	5/2004	Carlucci et al.
D641,521 S	7/2011	Parodi	2008/0271337 A1	11/2008	Chan
8,256,132 B2	9/2012	Gaillard et al.	2009/0188126 A1	7/2009	Gaillard et al.
8,272,142 B2	9/2012	Hall	2010/0064542 A1	3/2010	Mulvaney et al.
			2011/0016737 A1	1/2011	Gaillard et al.
			2011/0203128 A1 *	8/2011	Rodrigues 34/96
			2012/0266484 A1	10/2012	Carne

* cited by examiner

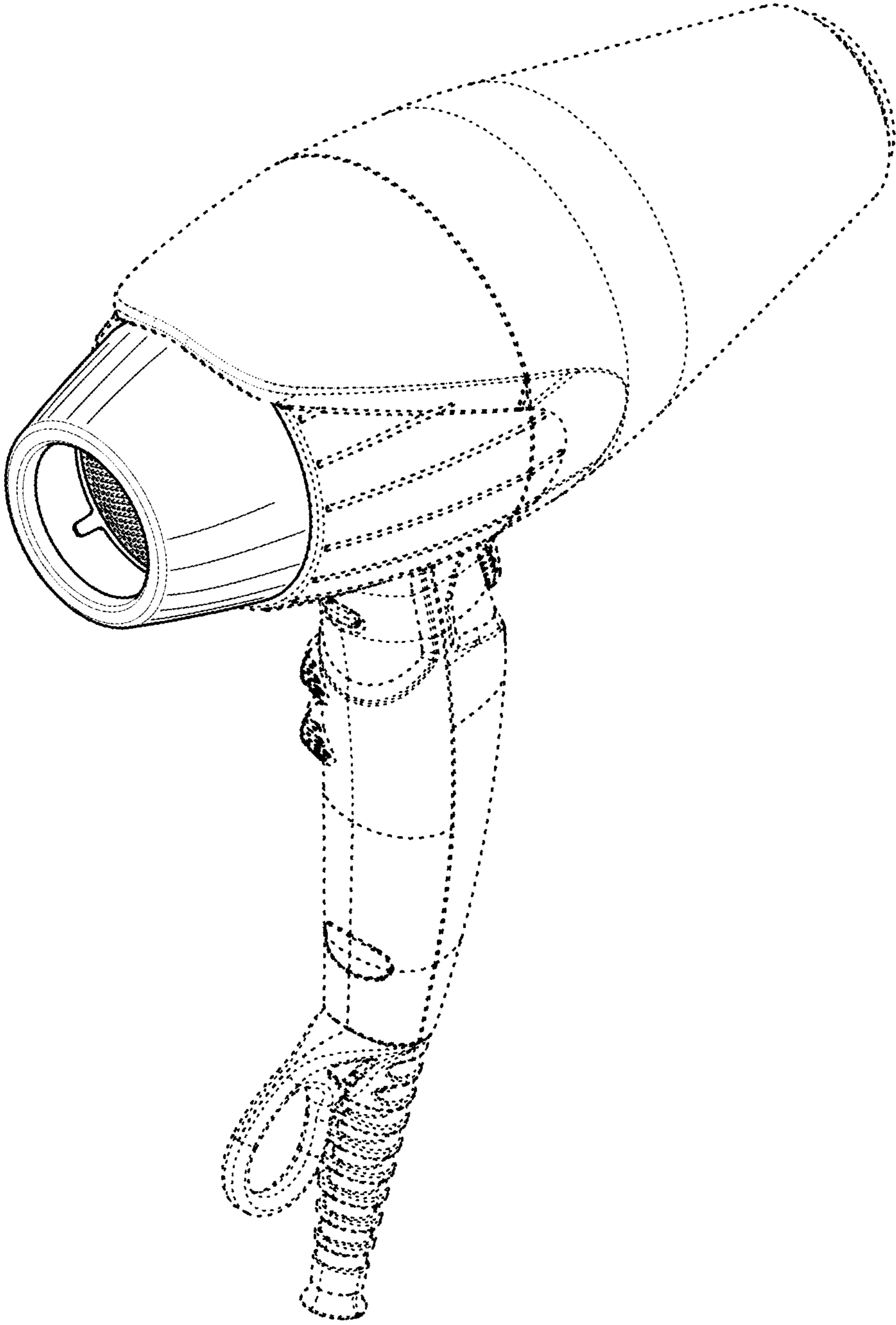


FIG. 1

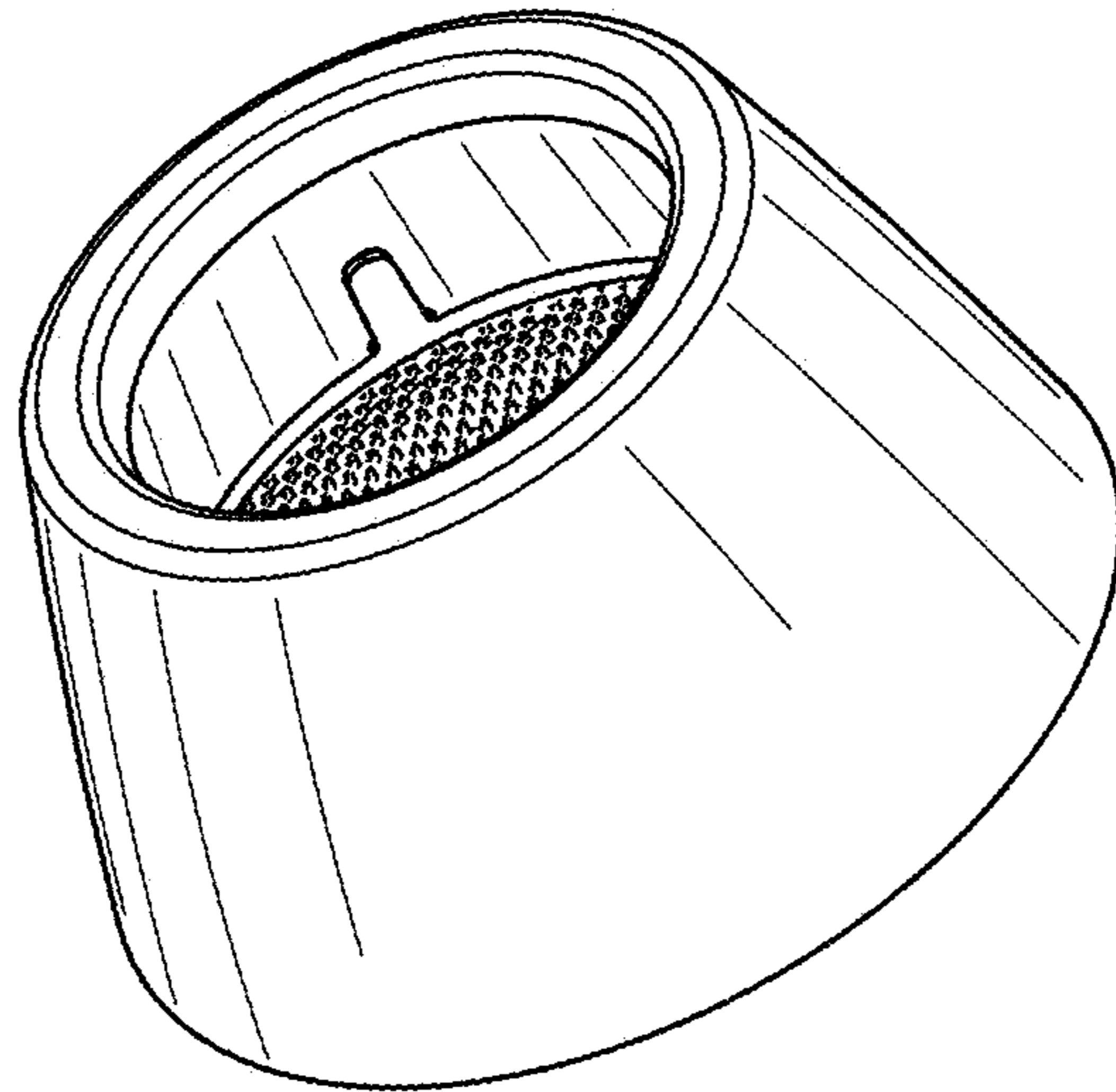


FIG. 2

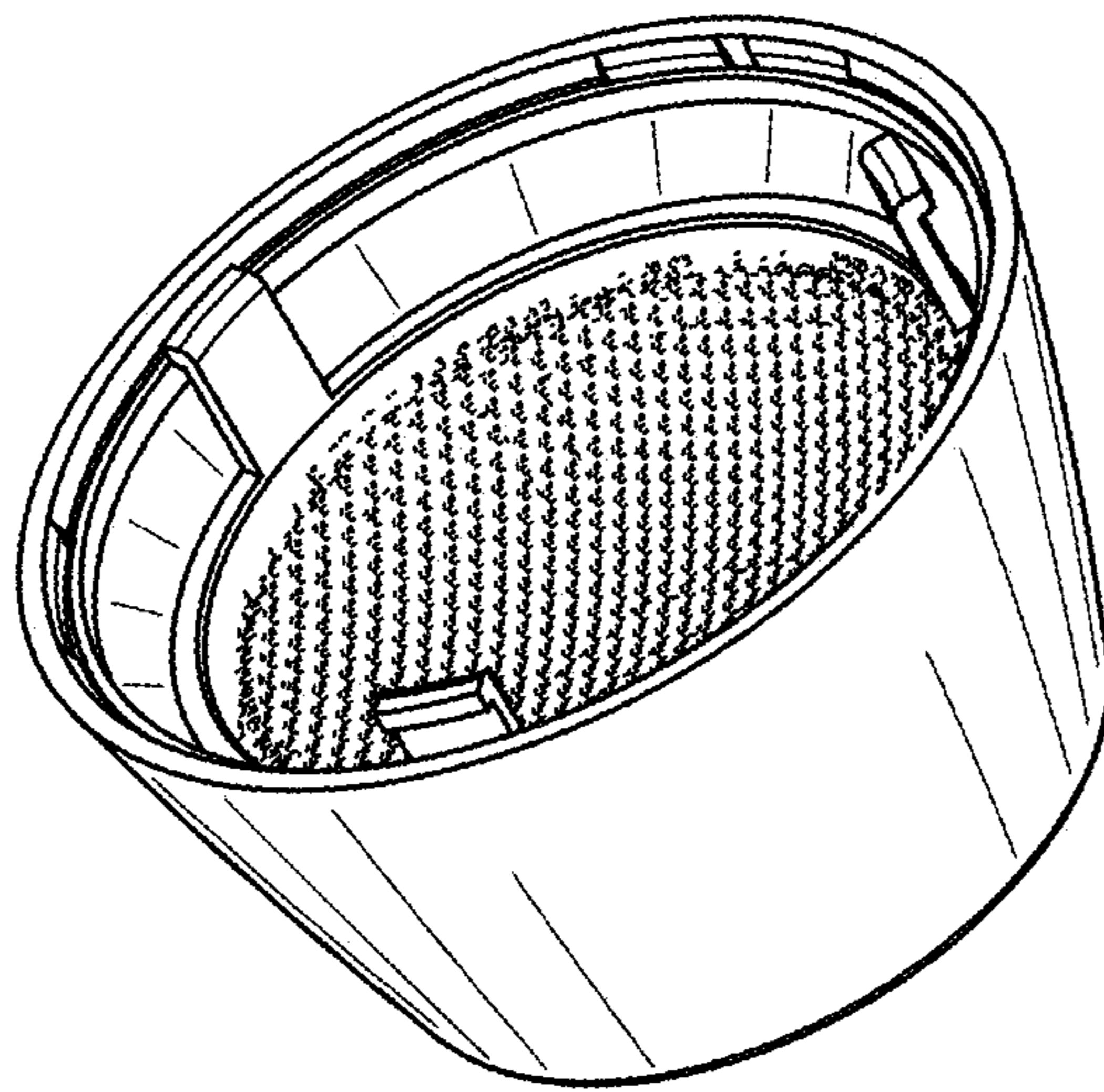


FIG. 3

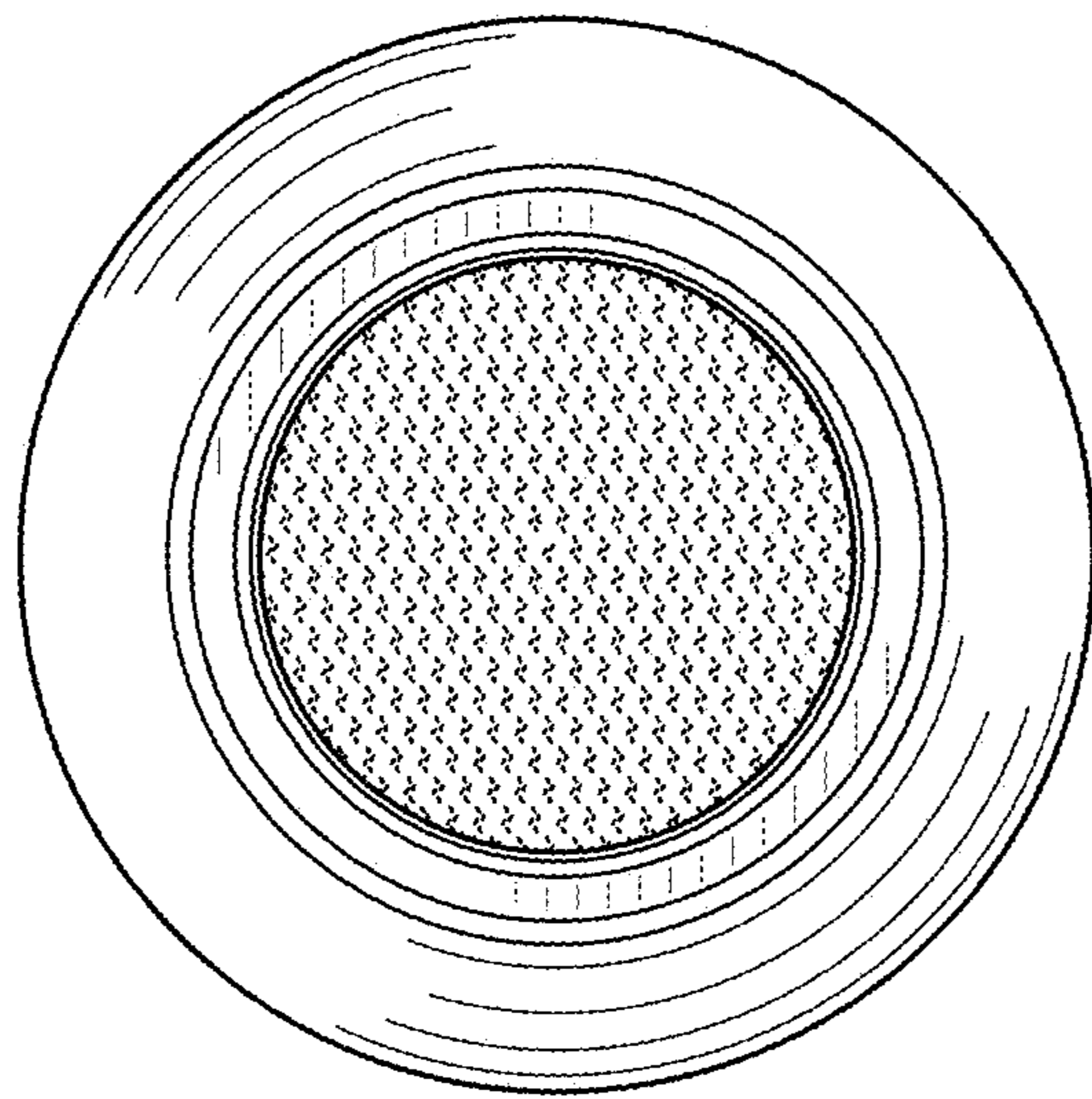


FIG. 4

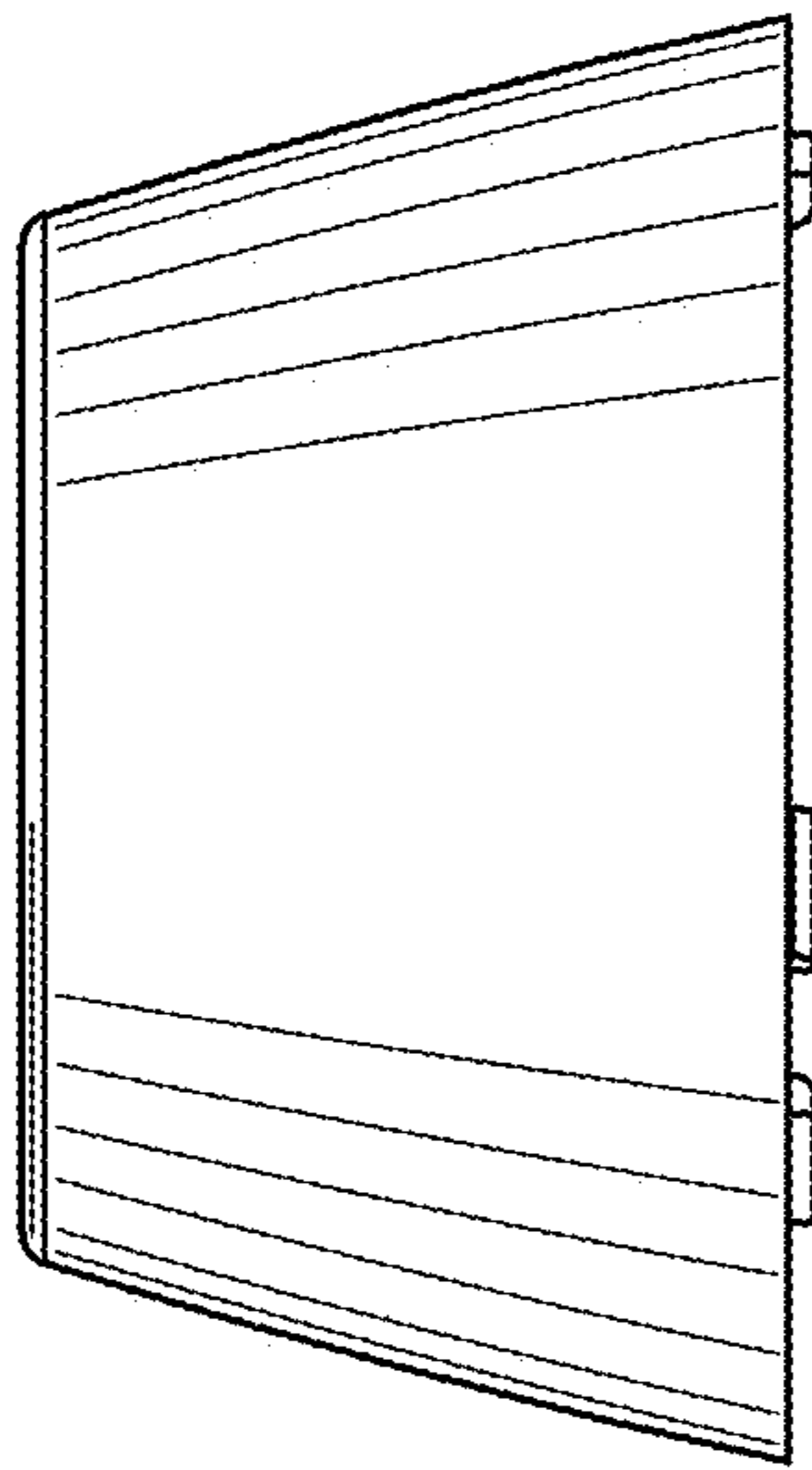


FIG. 5

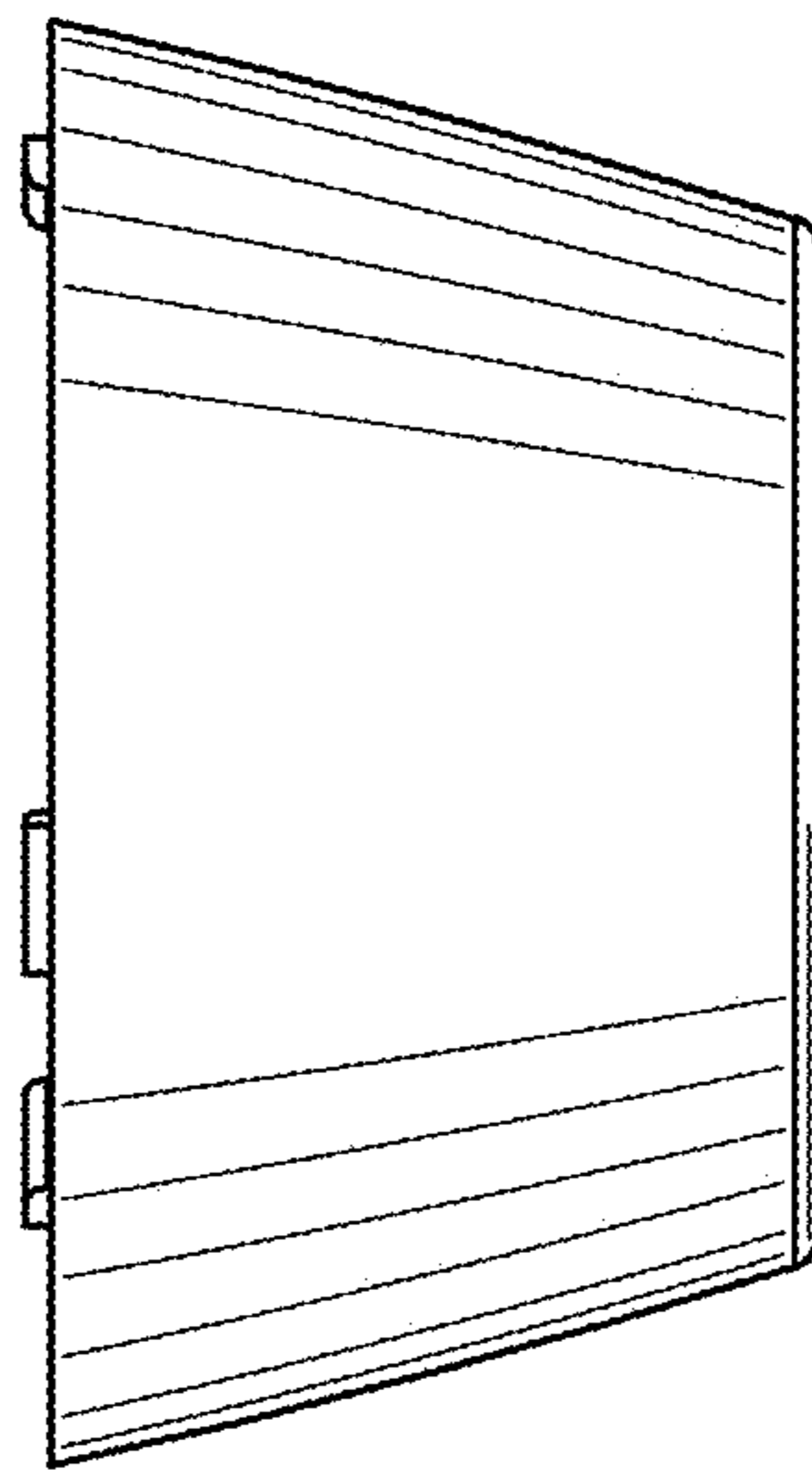


FIG. 6

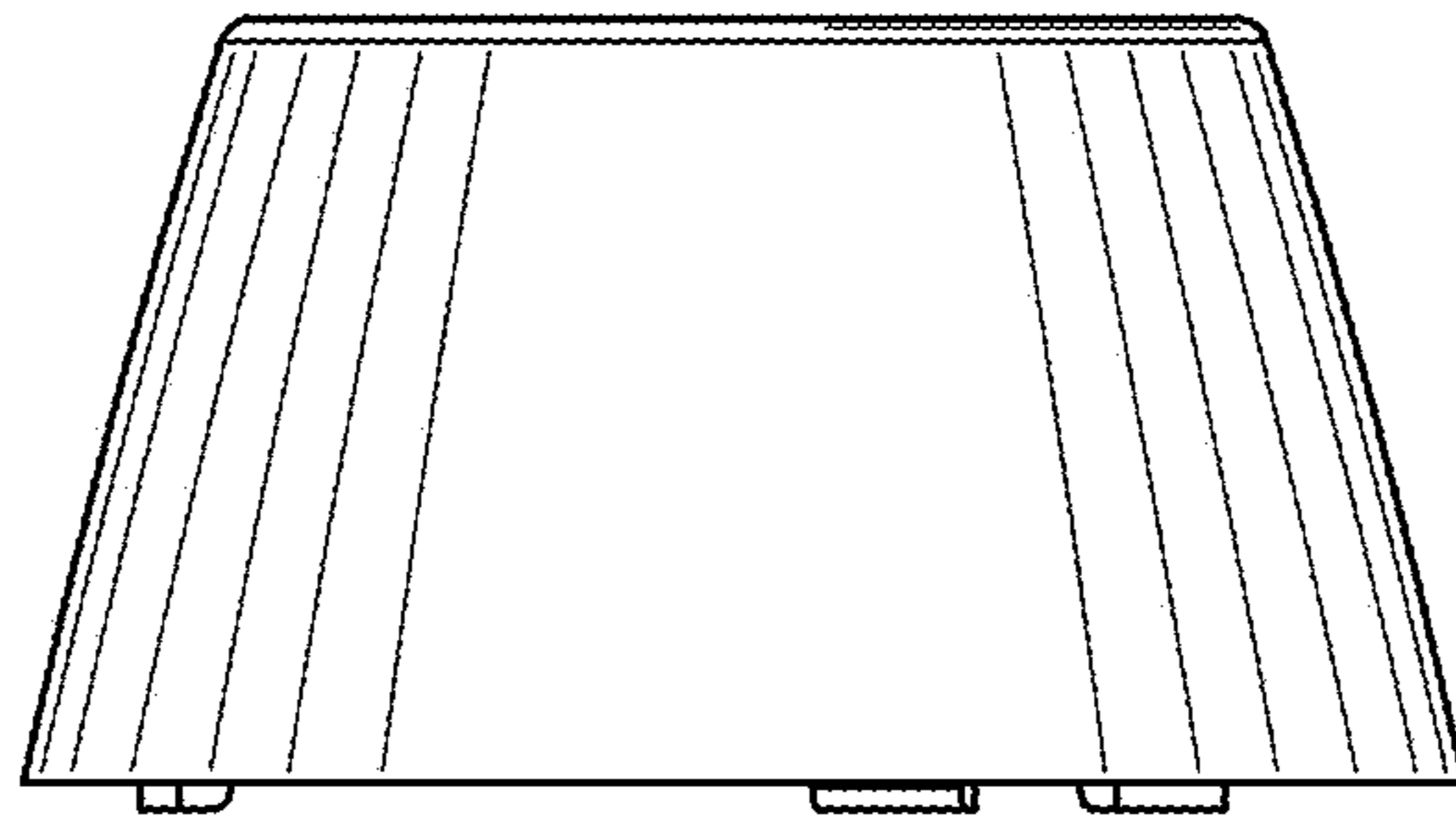


FIG. 7

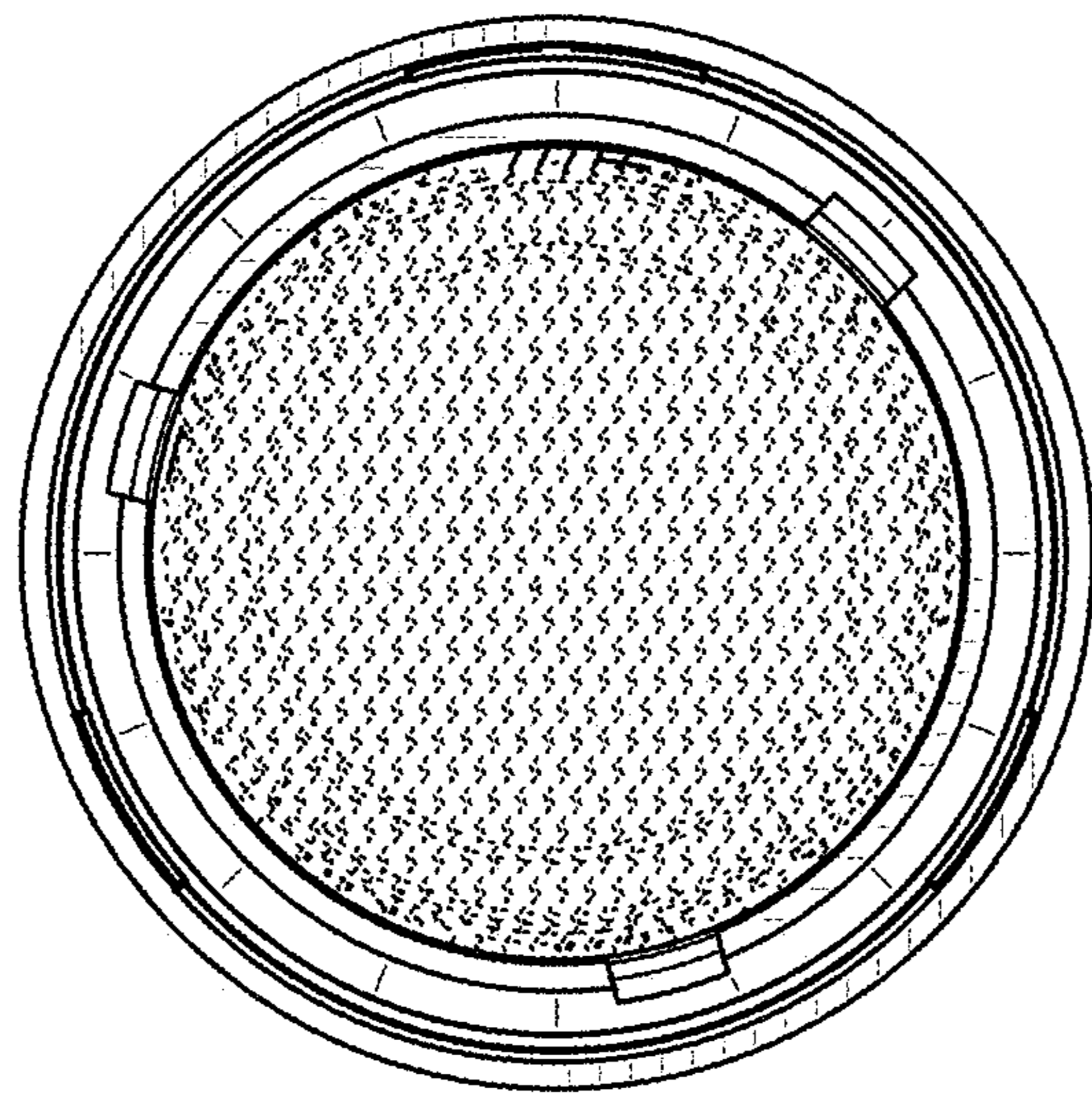


FIG. 8