



US00D726958S

(12) **United States Design Patent**  
**Spagnolo**

(10) **Patent No.:** **US D726,958 S**

(45) **Date of Patent:** **\*\* Apr. 14, 2015**

(54) **HAIR DRYER**

(71) Applicant: **Conair Corporation**, Stamford, CT  
(US)

(72) Inventor: **Pino Spagnolo**, Turin (IT)

(73) Assignee: **Conair Corporation**, Stamford, CT  
(US)

(\*\*) Term: **14 Years**

(21) Appl. No.: **29/475,227**

(22) Filed: **Dec. 2, 2013**

(51) **LOC (10) Cl.** ..... **28-03**

(52) **U.S. Cl.**  
USPC ..... **D28/13**

(58) **Field of Classification Search**  
CPC ..... A45D 20/00  
USPC ..... D28/12-19; 34/96-101; 392/380-385;  
219/222

See application file for complete search history.

(56) **References Cited**

**U.S. PATENT DOCUMENTS**

5,216,822	A	6/1993	Madiedo	
5,433,017	A	7/1995	Brauchli et al.	
5,490,336	A	2/1996	Smick et al.	
5,555,637	A	9/1996	Montagnino	
D393,926	S	4/1998	Kling	
5,810,911	A	9/1998	Behrendt et al.	
5,841,943	A	11/1998	Nosenchuck	
5,875,562	A	3/1999	Fogarty	
6,011,903	A	1/2000	Nosenchuck	
D429,028	S *	8/2000	Muller et al.	D28/13
D454,411	S	3/2002	Yeung	
D455,227	S	4/2002	Micinilio	
D456,562	S *	4/2002	Micinilio et al.	D28/13

D460,214	S	7/2002	Parodi	
D469,216	S *	1/2003	Lai	D28/13
D472,672	S	4/2003	Altamore et al.	
D473,341	S *	4/2003	Bokelman-Dumas	D28/13
D479,358	S *	9/2003	Yeung	D28/13
D494,710	S	8/2004	Parodi	
D496,754	S	9/2004	Parodi	
6,798,982	B2	9/2004	Ryu et al.	
D499,209	S	11/2004	Ikesaki	
D518,919	S	4/2006	Parodi	
D528,698	S	9/2006	Rizzuto, Jr.	
D537,565	S	2/2007	Shin	
7,204,038	B2	4/2007	Santhouse	
D543,313	S	5/2007	Petruccelli, Jr.	
D544,147	S	6/2007	Baudouin	
D544,645	S	6/2007	Ceva	

(Continued)

*Primary Examiner* — Zenia Bennett

(74) *Attorney, Agent, or Firm* — Cater, DeLuca, Farrell & Schmidt, LLP

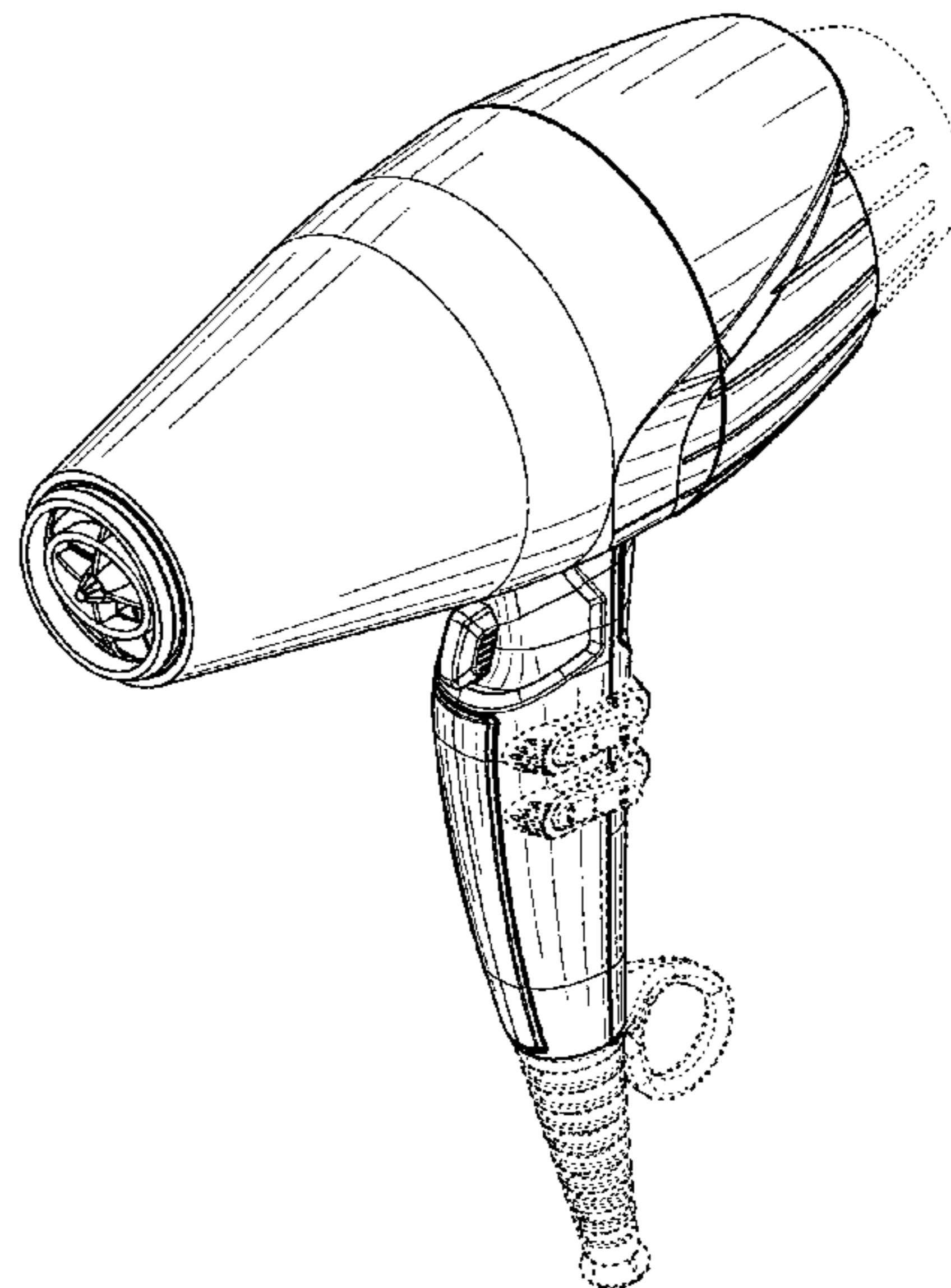
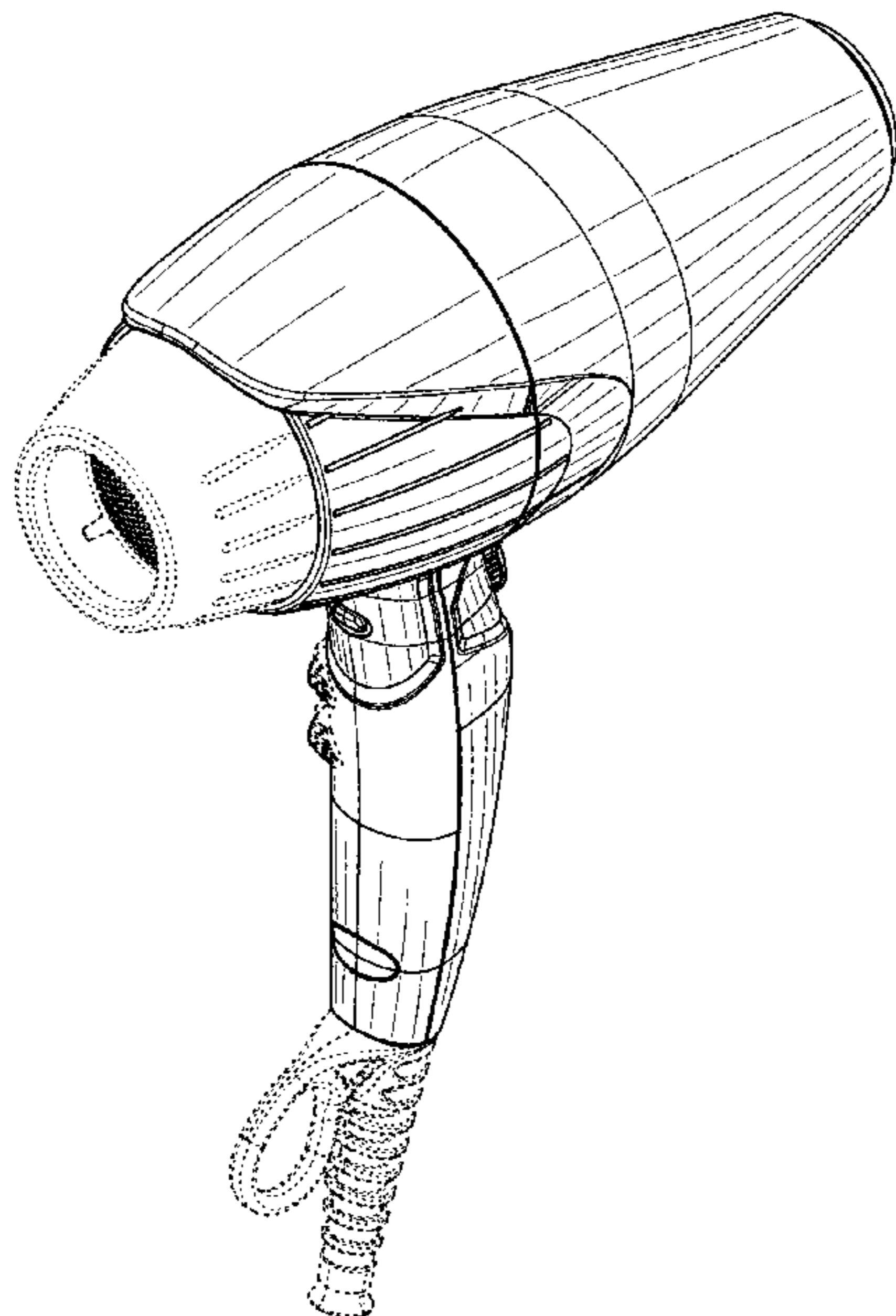
(57) **CLAIM**

The ornamental design for the hair dryer, as shown and described.

**DESCRIPTION**

FIG. 1 is a first perspective view of the hair dryer in accordance with the principles of the present disclosure; FIG. 2 is a second perspective view of the hair dryer; FIG. 3 is a rear axial view of the hair dryer; FIG. 4 is a first side elevation view of hair dryer; FIG. 5 is a front axial view of the hair dryer; FIG. 6 is a second side elevation view of the hair dryer; FIG. 7 is a top plan view of the hair dryer; and, FIG. 8 is a bottom plan view of the hair dryer. Any portions of the figures shown in broken lines are for illustrative purposes only and form no part of the claimed design.

**1 Claim, 8 Drawing Sheets**



(56)

**References Cited**

U.S. PATENT DOCUMENTS

D600,404 S 9/2009 Leung  
D629,967 S 12/2010 Mayo et al.  
D641,521 S 7/2011 Parodi  
8,256,132 B2 9/2012 Gaillard et al.  
8,272,142 B2 9/2012 Hall  
D671,261 S 11/2012 Parodi  
8,307,948 B2 11/2012 Parodi

D677,834 S 3/2013 Sayers et al.  
D678,607 S 3/2013 Parodi  
D681,274 S 4/2013 Huang  
D681,275 S 4/2013 Huang  
2004/0093756 A1 5/2004 Carlucci et al.  
2008/0271337 A1 11/2008 Chan  
2009/0188126 A1 7/2009 Gaillard et al.  
2010/0064542 A1 3/2010 Mulvaney et al.  
2011/0016737 A1 1/2011 Gaillard et al.  
2012/0266484 A1 10/2012 Carne

\* cited by examiner

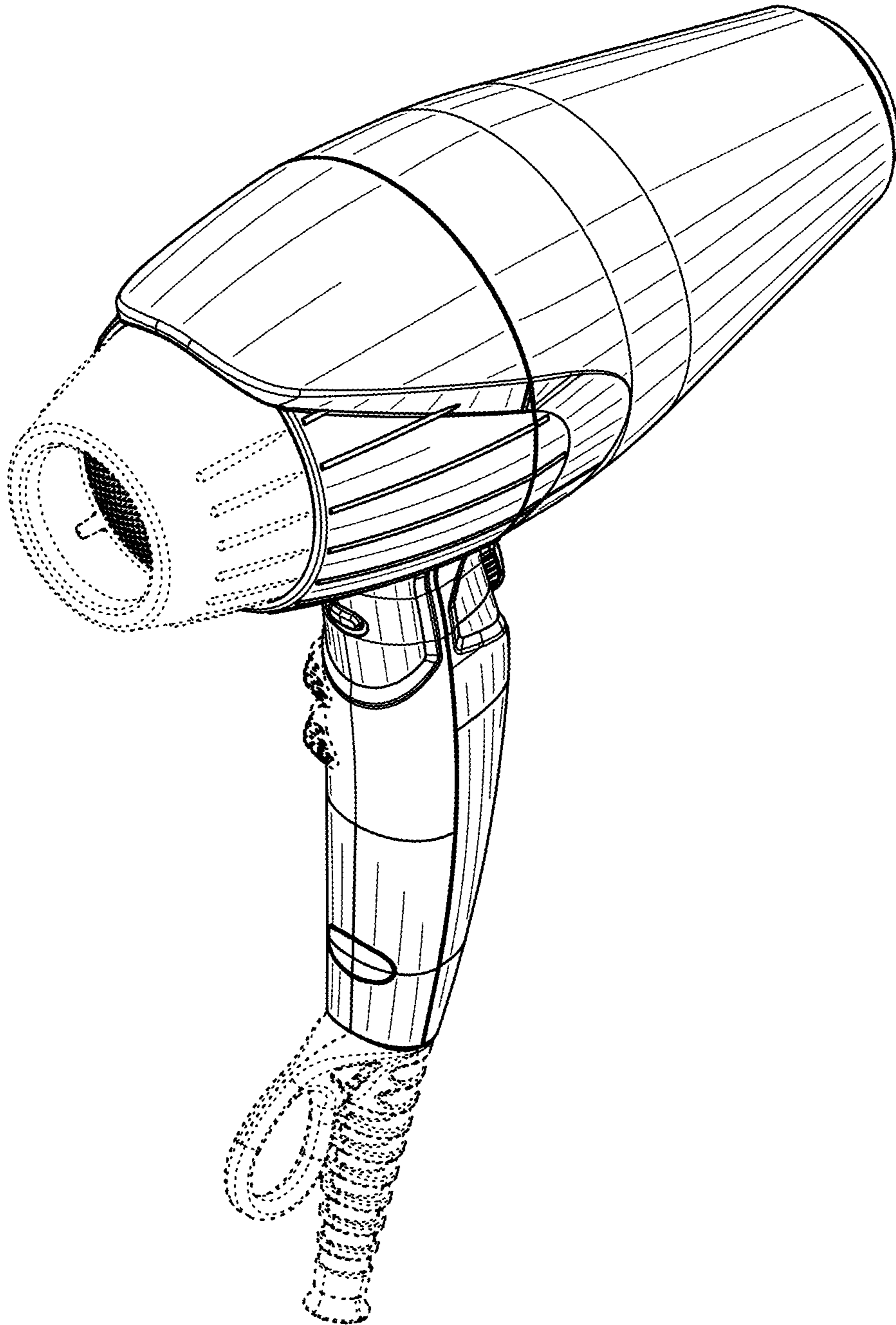


FIG. 1

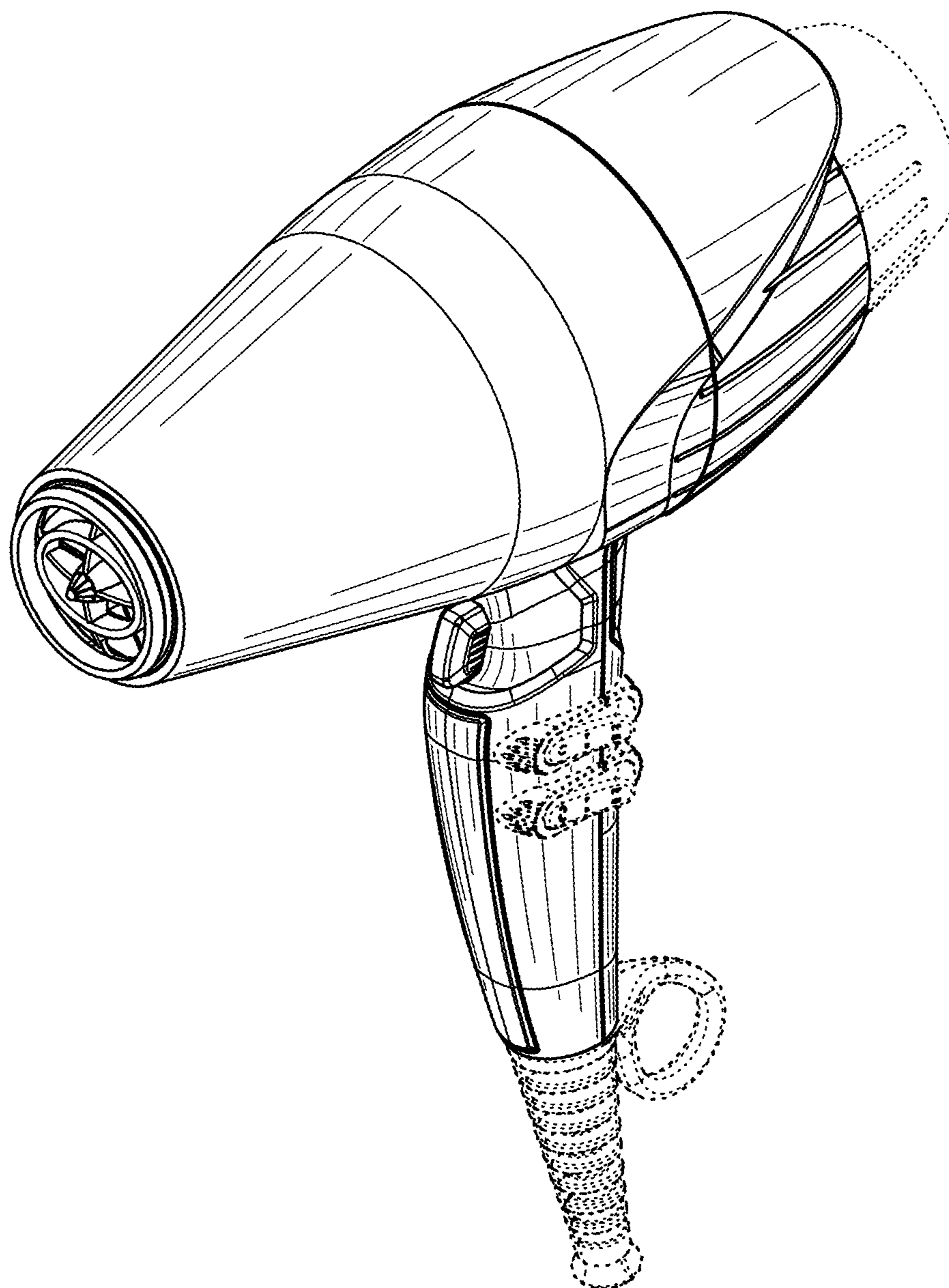


FIG. 2

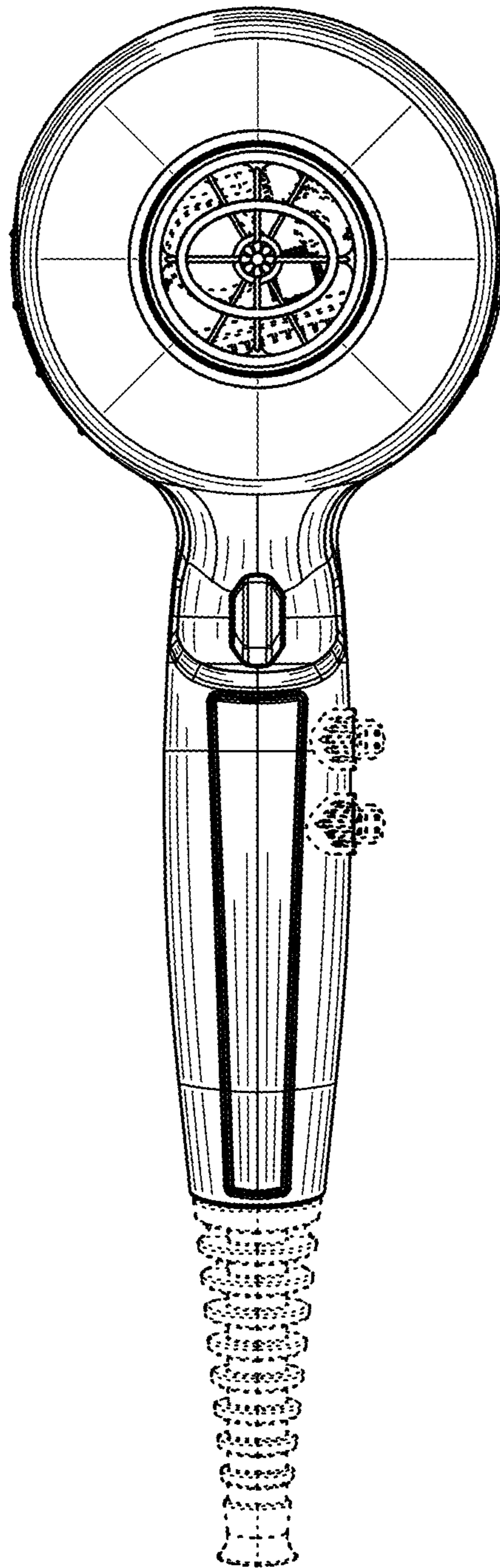


FIG. 3

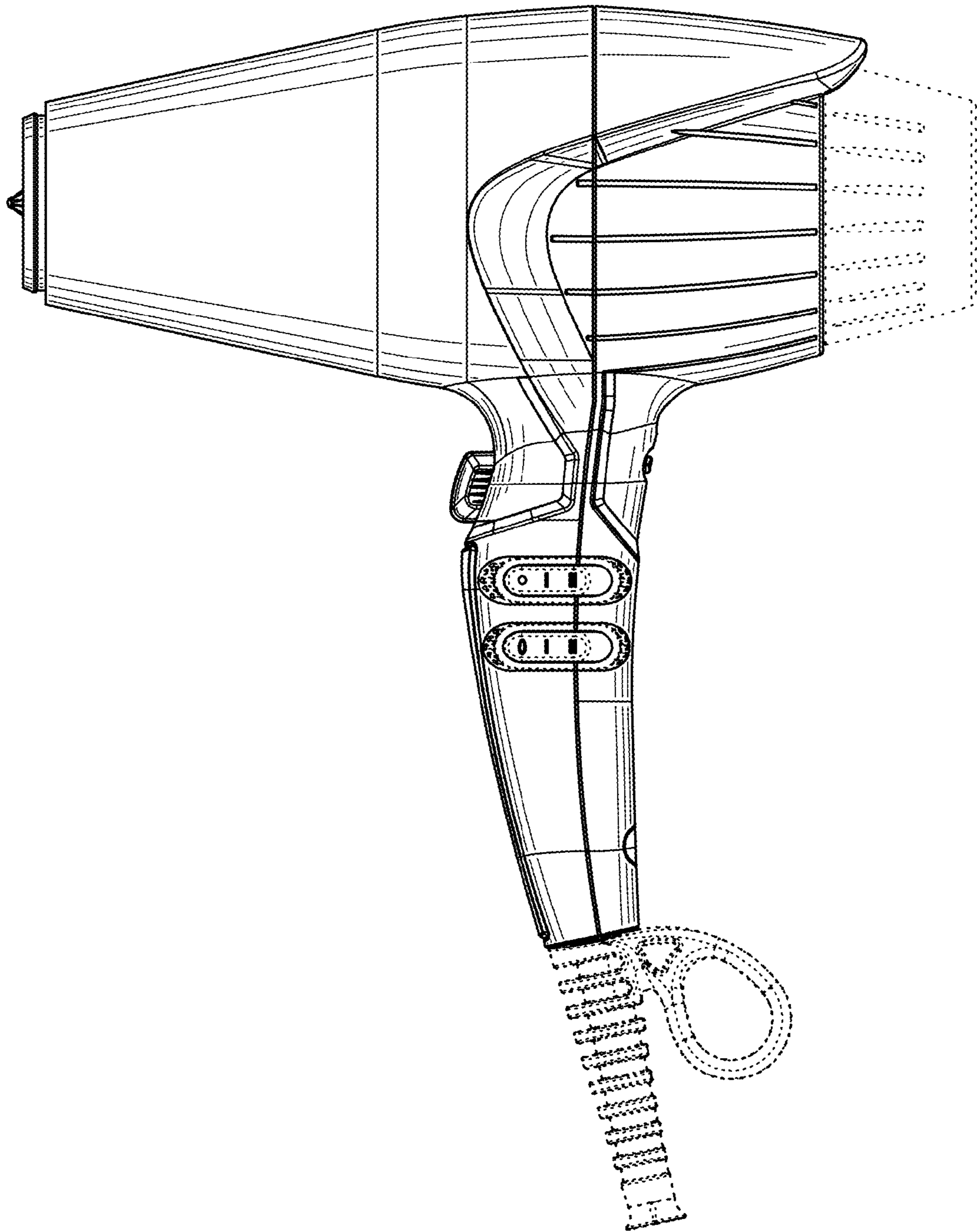


FIG. 4

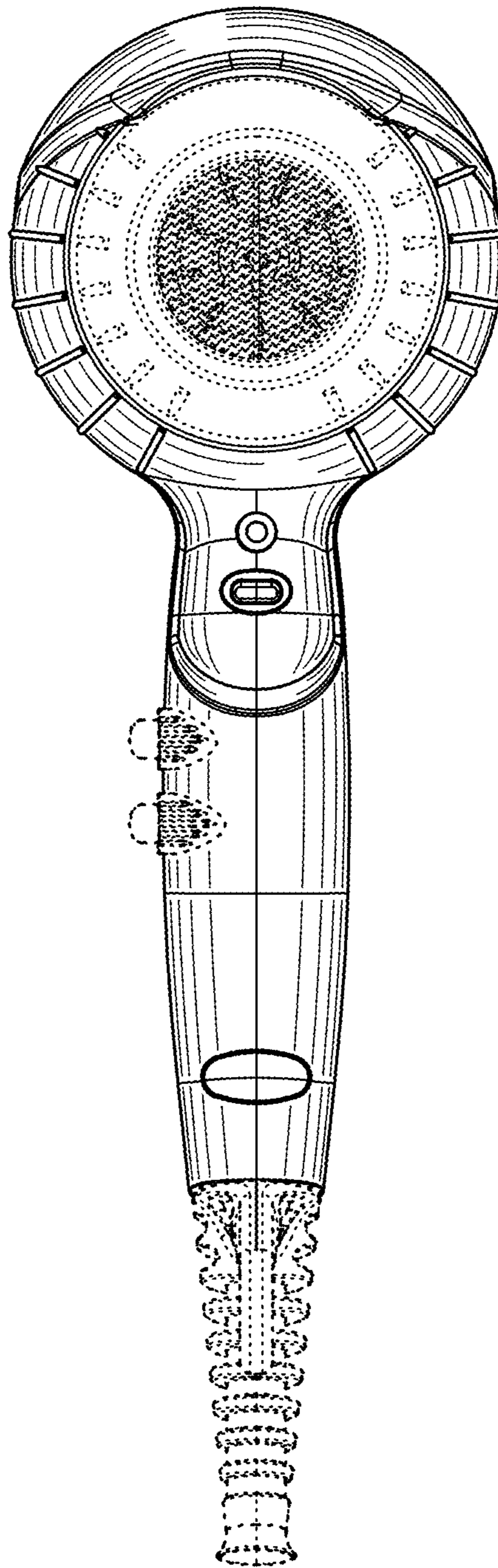


FIG. 5

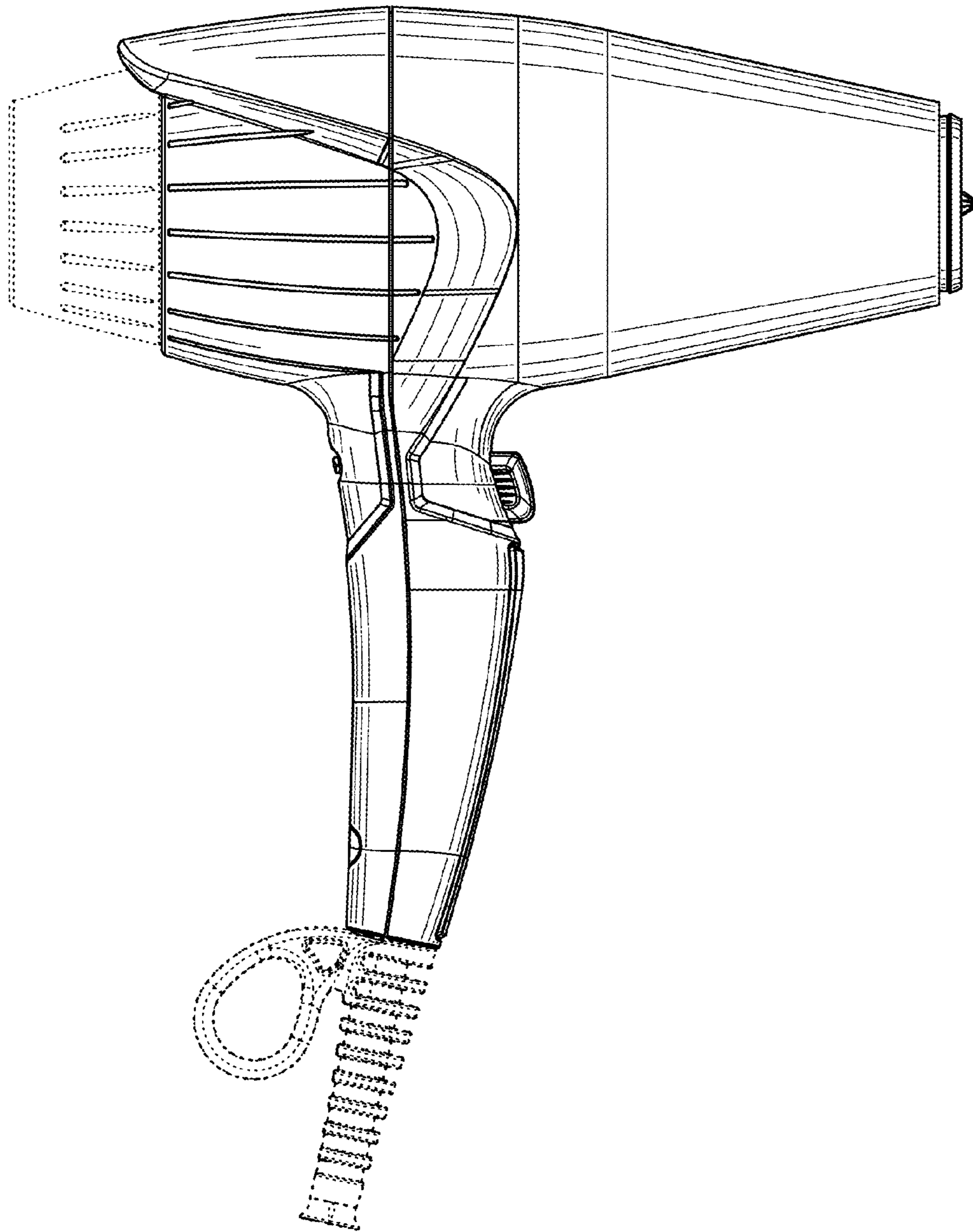


FIG. 6



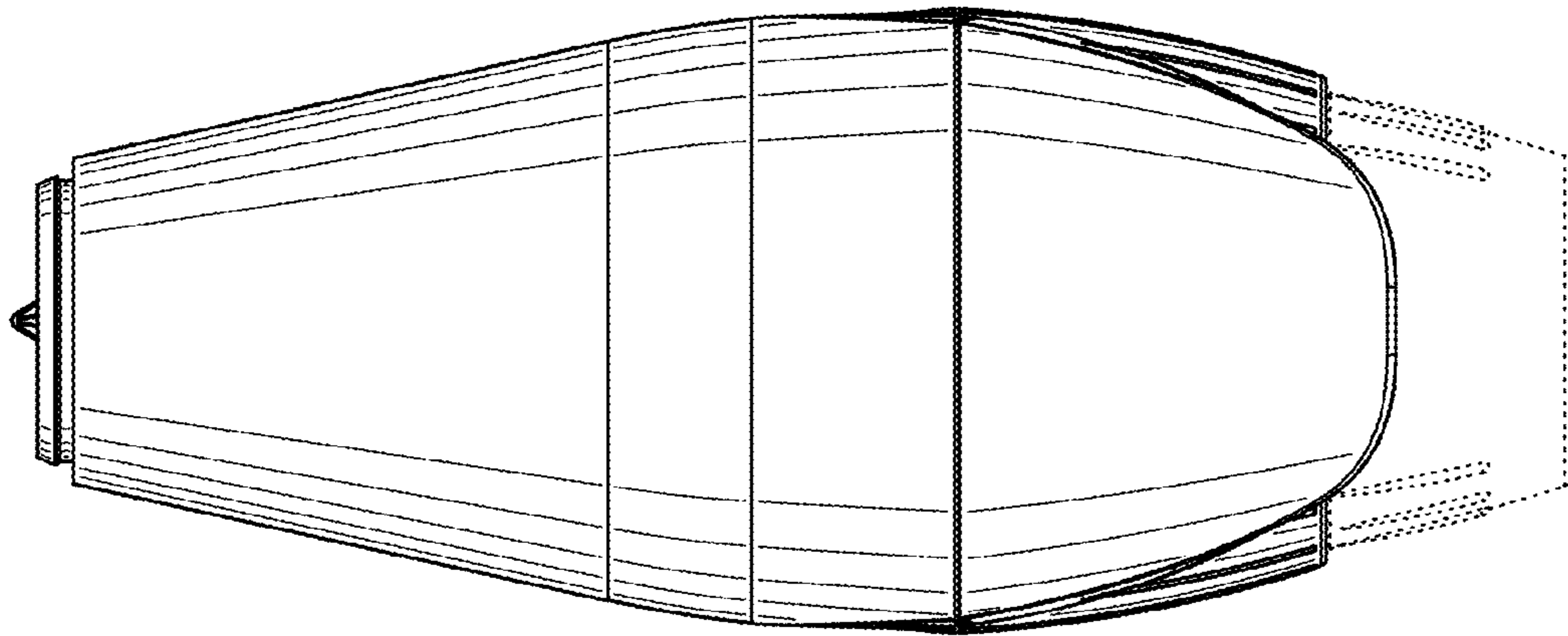


FIG. 7

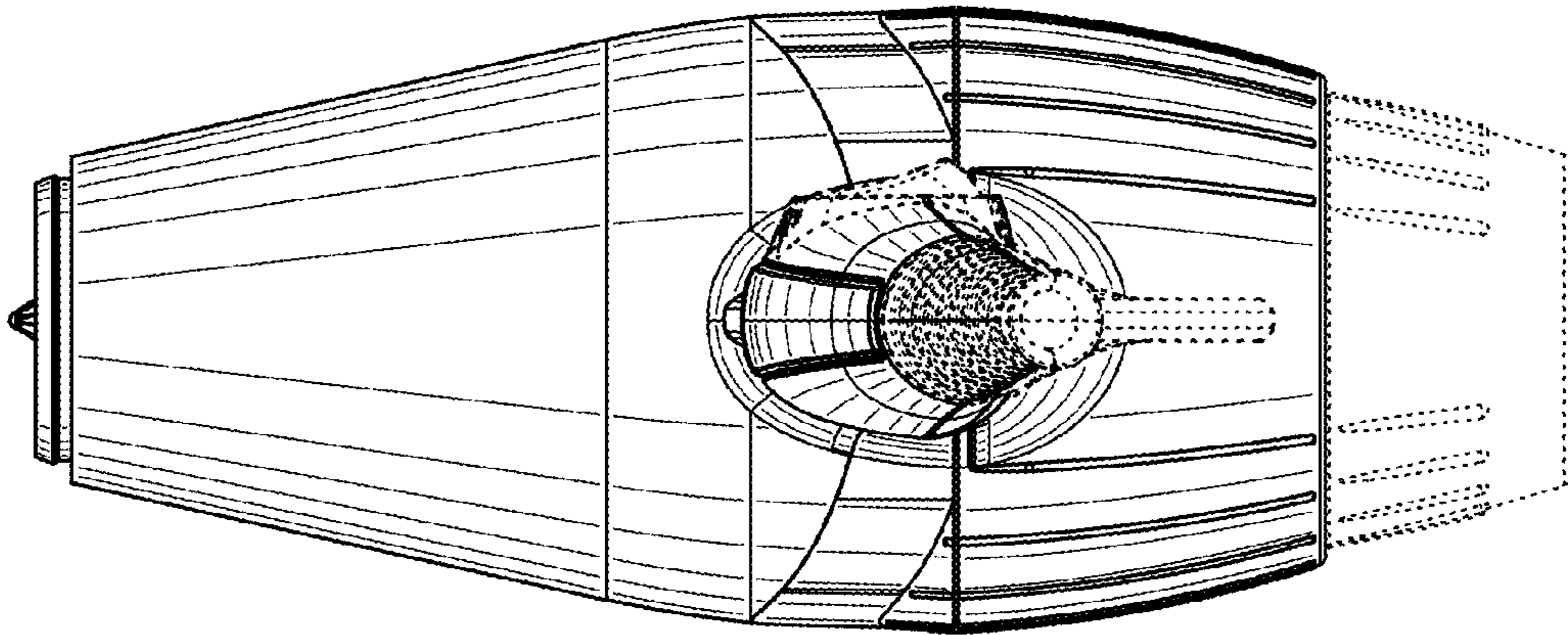


FIG. 8