

US00D726955S

(12) **United States Design Patent**
Martin

(10) **Patent No.:** **US D726,955 S**

(45) **Date of Patent:** **** Apr. 14, 2015**

(54) **ELECTRONIC CIGARETTE HOLDER**

(71) Applicant: **Matthew H. Martin**, Lomita, CA (US)

(72) Inventor: **Matthew H. Martin**, Lomita, CA (US)

(73) Assignee: **Matthew H. Martin**, Lomita, CA (US)

(**) Term: **14 Years**

(21) Appl. No.: **29/451,472**

(22) Filed: **Apr. 2, 2013**

(51) **LOC (10) Cl.** **27-06**

(52) **U.S. Cl.**
USPC **D27/172**

(58) **Field of Classification Search**

USPC D27/144, 162, 164, 170, 172, 174, 175,
D27/183, 184, 186, 187, 188, 189, 194,
D27/195; D30/129, 130, 131, 132;
248/311.3; 131/235.1, 270, 271, 272,
131/273, 329; D23/229, 262, 367; D7/505,
D7/543, 545, 566

See application file for complete search history.

(56) **References Cited**

U.S. PATENT DOCUMENTS

D313,487 S * 1/1991 Conner D30/129
D419,716 S * 1/2000 Parrochia D26/118

D443,395 S * 6/2001 Suns D30/129
D457,279 S * 5/2002 Ingram et al. D32/35
6,382,579 B1 * 5/2002 Kenniston 248/311.3
D487,589 S * 3/2004 Zaragoza D23/367
7,387,082 B1 * 6/2008 Fried 119/61.5
D718,004 S * 11/2014 Stovall D30/129
2008/0022937 A1 * 1/2008 Shirley et al. 119/72
2011/0253054 A1 * 10/2011 Hargrove 119/61.54

* cited by examiner

Primary Examiner — Sheryl Lane

Assistant Examiner — Chelsea Sealey

(57) **CLAIM**

The ornamental design for a electronic cigarette holder, as shown and described.

DESCRIPTION

FIG. 1 is a front elevational view of a electronic cigarette holder showing my new design;

FIG. 2 is a perspective view of FIG. 1;

FIG. 3 is a perspective view of FIG. 1 with electronic cigarette inserted; and,

FIG. 4 is a top plan view thereof.

The bottom of the electronic cigarette holder is flat and unornamented. The broken line showing the electronic cigarette is included for the purpose of illustrating the environment and forms no part of the claimed design.

1 Claim, 2 Drawing Sheets

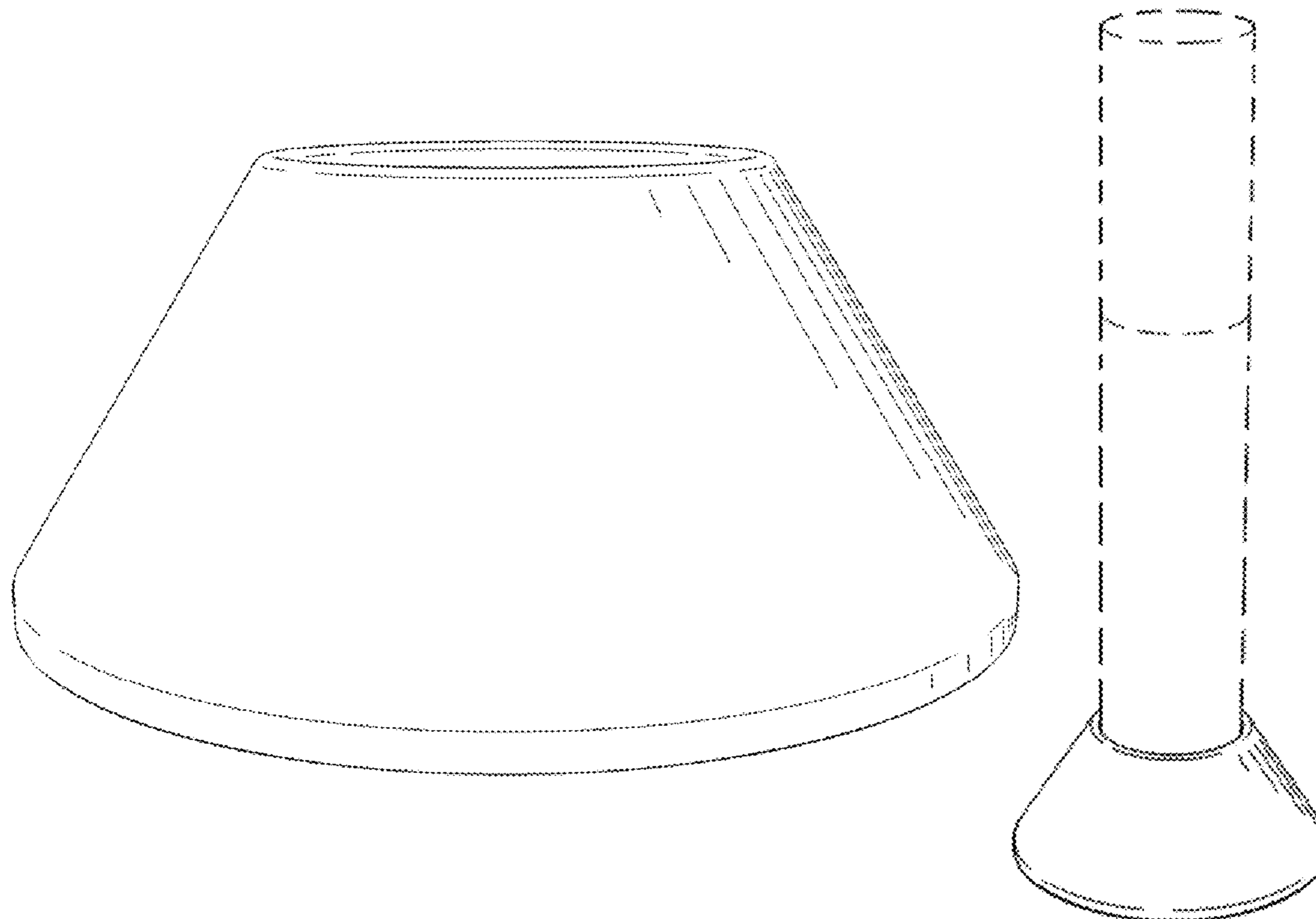


Fig. 1

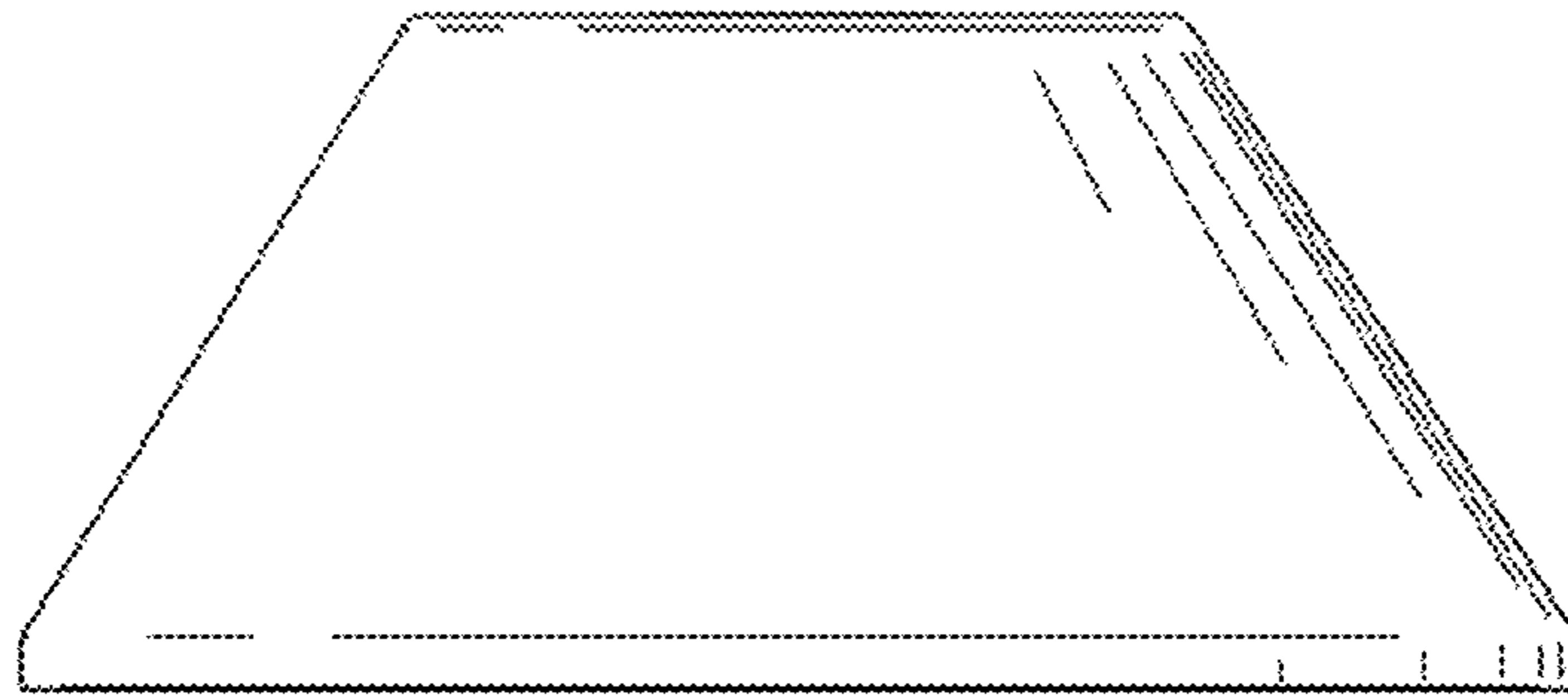


Fig. 2

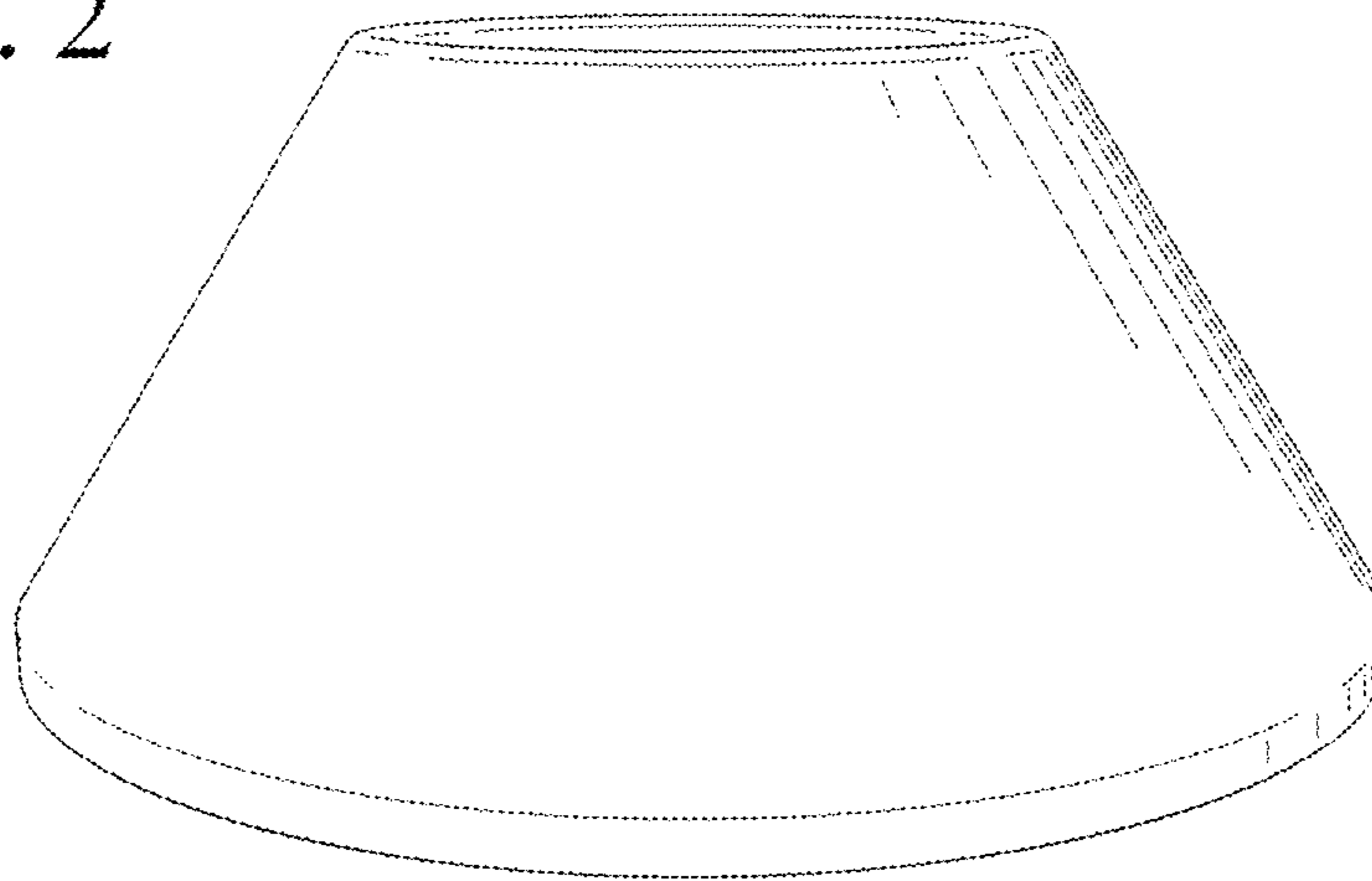


Fig. 3

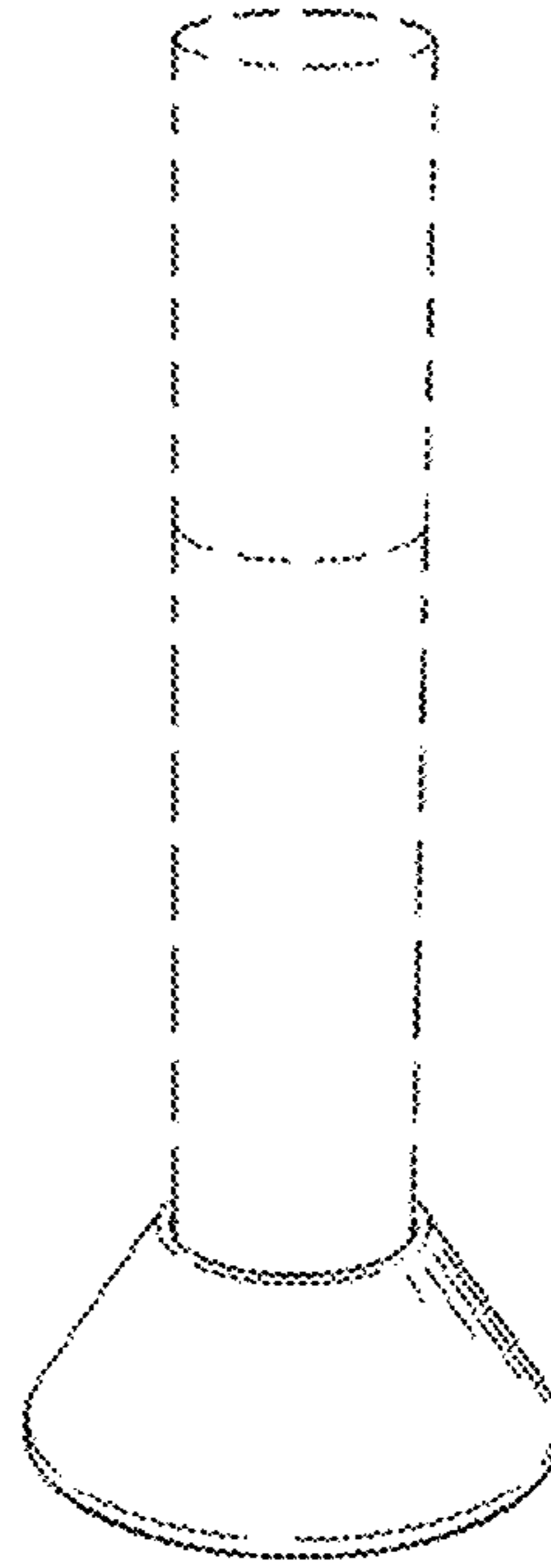


Fig. 4

