



US00D726954S

(12) **United States Design Patent**  
**Wang et al.**

(10) **Patent No.:** **US D726,954 S**  
(45) **Date of Patent:** **\*\* Apr. 14, 2015**

- (54) **HEXAGONAL LAMP PANEL**
- (71) Applicant: **General Luminaire Co., Ltd.**, Taipei (TW)
- (72) Inventors: **Yung-Hong Wang**, Taipei (TW); **Qin Zhou**, Shanghai (CN)
- (\*\*) Term: **14 Years**
- (21) Appl. No.: **29/498,490**
- (22) Filed: **Aug. 5, 2014**
- (51) **LOC (10) Cl.** ..... **26-99**
- (52) **U.S. Cl.**  
USPC ..... **D26/120**
- (58) **Field of Classification Search**  
USPC ..... D26/9, 10, 12, 13, 15, 16, 24, 51, 61,  
D26/72, 76, 80, 81, 85, 86, 88, 90, 113, 118,  
D26/119, 120, 122, 128, 129, 138, 143, 144  
See application file for complete search history.

(56) **References Cited**  
U.S. PATENT DOCUMENTS

3,695,455	A *	10/1972	Larson	.....	211/78
4,089,705	A *	5/1978	Rubin	.....	136/244
4,126,366	A *	11/1978	Handler et al.	.....	312/249.2
4,221,070	A *	9/1980	Swindell	.....	43/100
4,295,307	A *	10/1981	Jensen	.....	52/236.1
4,811,034	A *	3/1989	Kaminskas	.....	343/915
4,930,680	A *	6/1990	Hanus	.....	229/110
5,016,405	A *	5/1991	Lee	.....	52/36.1
5,123,588	A *	6/1992	Harris	.....	229/117.13
5,500,271	A *	3/1996	Pasch et al.	.....	428/135
5,997,985	A *	12/1999	Clarke et al.	.....	428/116
6,026,963	A *	2/2000	Gray et al.	.....	206/710
6,274,216	B1 *	8/2001	Gonidec et al.	.....	428/116
6,318,674	B1 *	11/2001	Simburger	.....	244/159.5
6,536,556	B2 *	3/2003	Porte et al.	.....	181/292
6,631,603	B2 *	10/2003	Zornes	.....	52/782.1
6,827,349	B2 *	12/2004	Huang	.....	273/309
7,290,801	B2 *	11/2007	Silverman	.....	281/29

7,331,147	B2 *	2/2008	Kalisiak et al.	.....	52/385
D600,200	S *	9/2009	Dimov et al.	.....	D13/102
8,037,967	B2 *	10/2011	Mercat	.....	181/292
8,141,876	B2 *	3/2012	Humphreys et al.	.....	273/156
8,171,601	B1 *	5/2012	Yurkon	.....	19/200
8,240,427	B2 *	8/2012	Jangili et al.	.....	181/224
D694,160	S *	11/2013	Chou et al.	.....	D12/194
8,683,759	B2 *	4/2014	Lythgoe	.....	52/169.6
8,846,553	B2 *	9/2014	Goering	.....	442/253
2002/0073651	A1 *	6/2002	Muller	.....	53/399
2004/0240979	A1 *	12/2004	Beavers et al.	.....	414/788

(Continued)

**OTHER PUBLICATIONS**

LED Bulb Types, image post date Nov. 12, 2011, site visited Dec. 23, 2014, (online), <[http://www.ledlightsavings.net/LED\\_Bulb\\_Types.htm](http://www.ledlightsavings.net/LED_Bulb_Types.htm)>.\*

(Continued)

*Primary Examiner* — Kevin Rudzinski  
*Assistant Examiner* — Sean D Lough

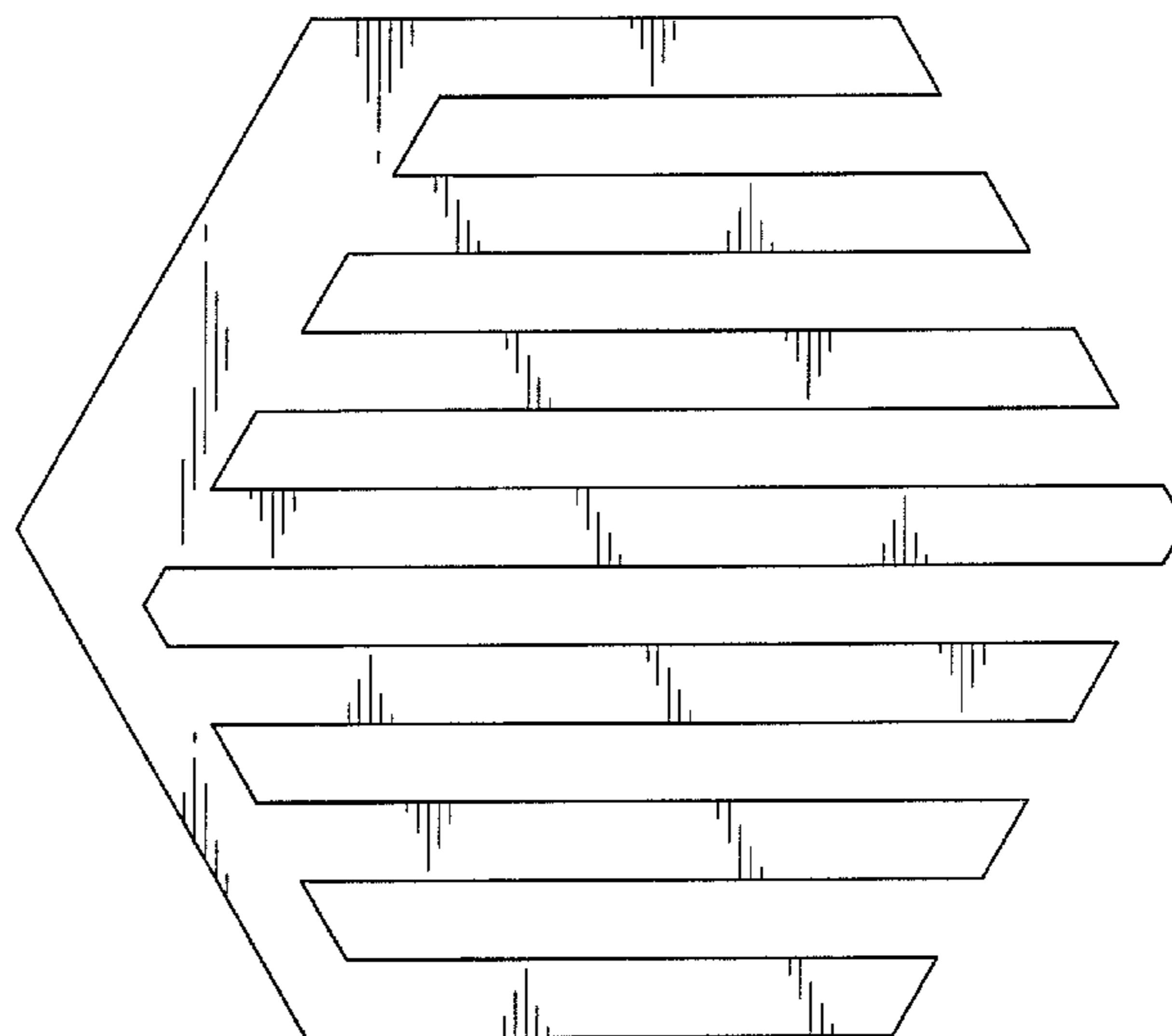
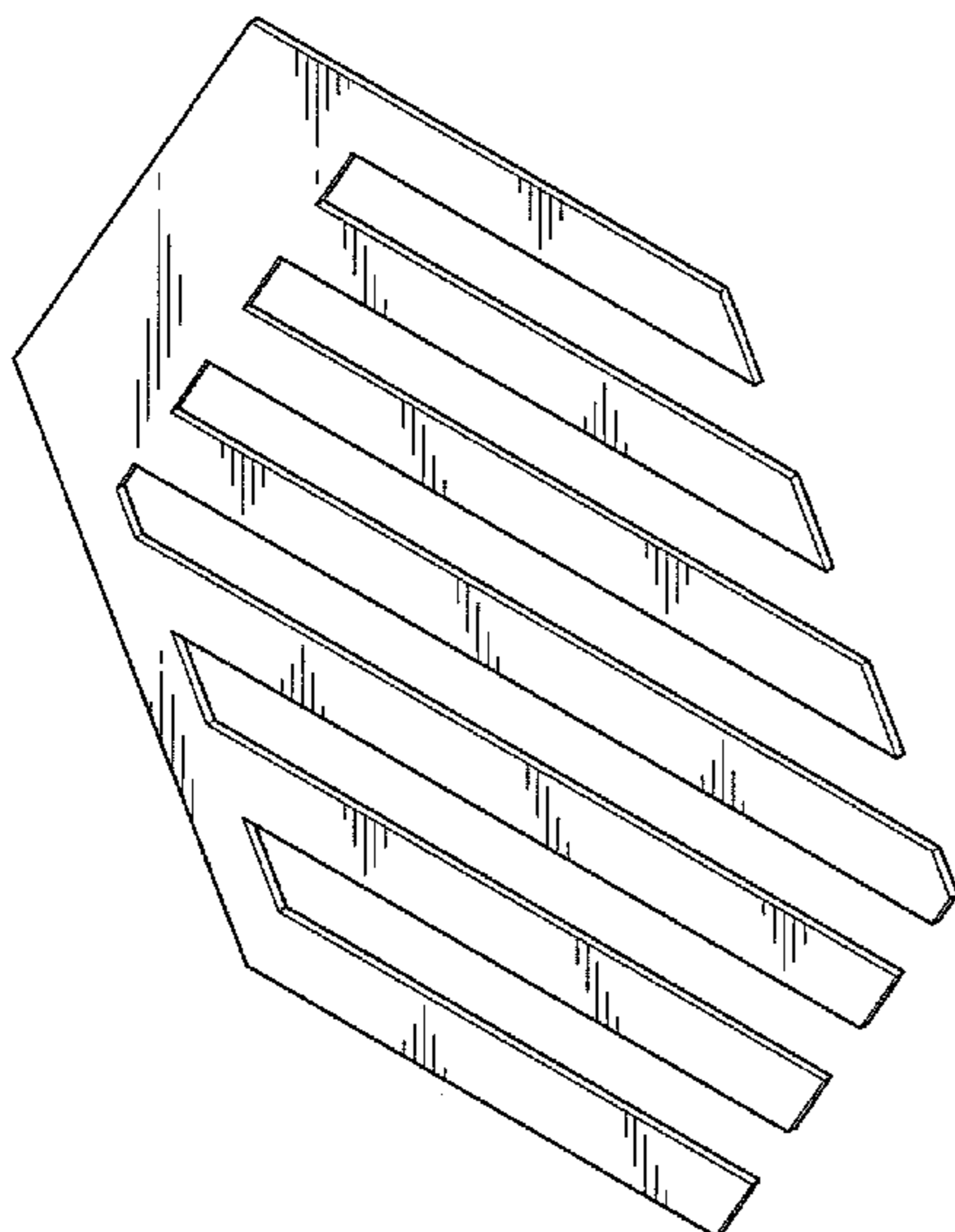
(57) **CLAIM**

The ornamental design for a hexagonal lamp panel, as shown and described.

**DESCRIPTION**

FIG. 1 is a perspective view of a hexagonal lamp panel showing our new design;  
FIG. 2 is a front elevational view thereof;  
FIG. 3 is a rear elevational view thereof;  
FIG. 4 is a left side view thereof;  
FIG. 5 is a right side view thereof;  
FIG. 6 is a top plan view thereof;  
FIG. 7 is a bottom plan view thereof; and,  
FIG. 8 is another perspective view thereof.  
The broken lines shown in FIG. 6 illustrate portions of the hexagonal lamp panel that form no part of the claimed design.

**1 Claim, 6 Drawing Sheets**



(56)

**References Cited**

U.S. PATENT DOCUMENTS

2005/0030765 A1\* 2/2005 Southard et al. .... 362/559  
 2005/0053448 A1\* 3/2005 Lat et al. .... 411/470  
 2005/0199008 A1\* 9/2005 Boland ..... 63/37  
 2006/0201035 A1\* 9/2006 Signori ..... 36/131  
 2007/0057000 A1\* 3/2007 Webster ..... 224/521  
 2007/0062992 A1\* 3/2007 Hepworth et al. .... 224/406  
 2008/0025366 A1\* 1/2008 McBurney ..... 374/44  
 2008/0077089 A1\* 3/2008 Nowlin et al. .... 604/116  
 2008/0216611 A1\* 9/2008 Resnick ..... 81/124.2  
 2009/0043342 A1\* 2/2009 Freedland ..... 606/313  
 2009/0306659 A1\* 12/2009 Buysse ..... 606/50  
 2010/0155553 A1\* 6/2010 Langley et al. .... 248/220.43  
 2011/0167649 A1\* 7/2011 Reed et al. .... 30/371  
 2012/0032554 A1\* 2/2012 Martin et al. .... 310/313 A  
 2012/0080979 A1\* 4/2012 Martin et al. .... 310/313 D  
 2012/0151995 A1\* 6/2012 Schade et al. .... 73/24.02

2013/0154292 A1\* 6/2013 Savran et al. .... 294/183  
 2013/0277182 A1\* 10/2013 Studer ..... 198/850  
 2013/0295548 A1\* 11/2013 Brazier ..... 434/365  
 2014/0077918 A1\* 3/2014 Bockholt et al. .... 336/208  
 2014/0140800 A1\* 5/2014 Inoue et al. .... 414/744.5  
 2014/0140801 A1\* 5/2014 Sueyoshi et al. .... 414/744.6  
 2014/0276699 A1\* 9/2014 McKay ..... 606/21

OTHER PUBLICATIONS

LED Bulb Types—Wayback Machine, image post date Dec. 23, 2014, site visited Dec. 23, 2014, (online), <[http://web.archive.org/web/20110901000000\\*/http://www.ledlightsavings.net/LED\\_Bulb\\_Types.htm](http://web.archive.org/web/20110901000000*/http://www.ledlightsavings.net/LED_Bulb_Types.htm)>.\*  
 Leeds Arena, image post date Apr. 25, 2013, site visited Dec. 23, 2014, (online), <<http://www.theguardian.com/artanddesign/architecture-design-blog/2013/apr/25/leeds-arena-architecture-bling-budget>>.\*

\* cited by examiner

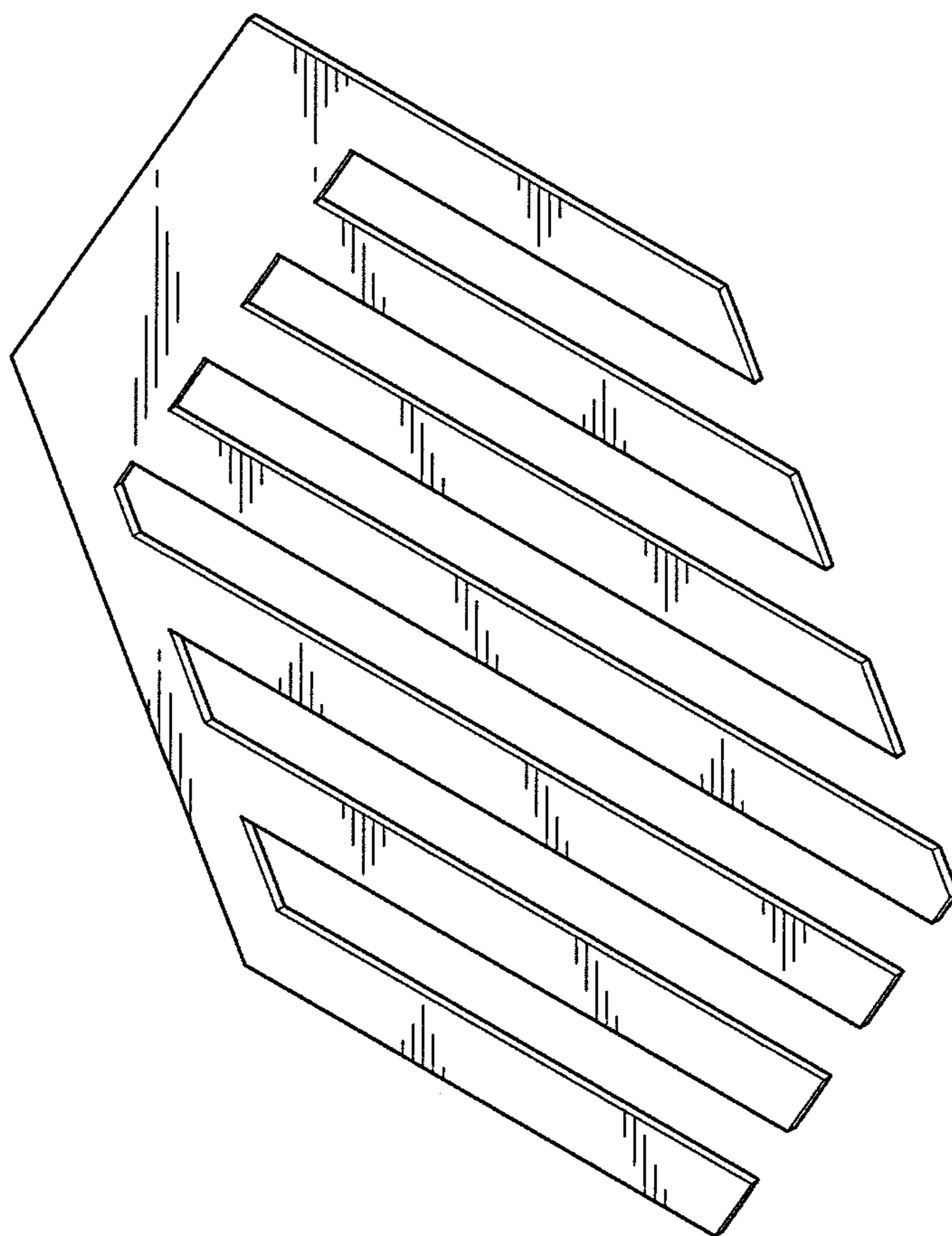


FIG. 1

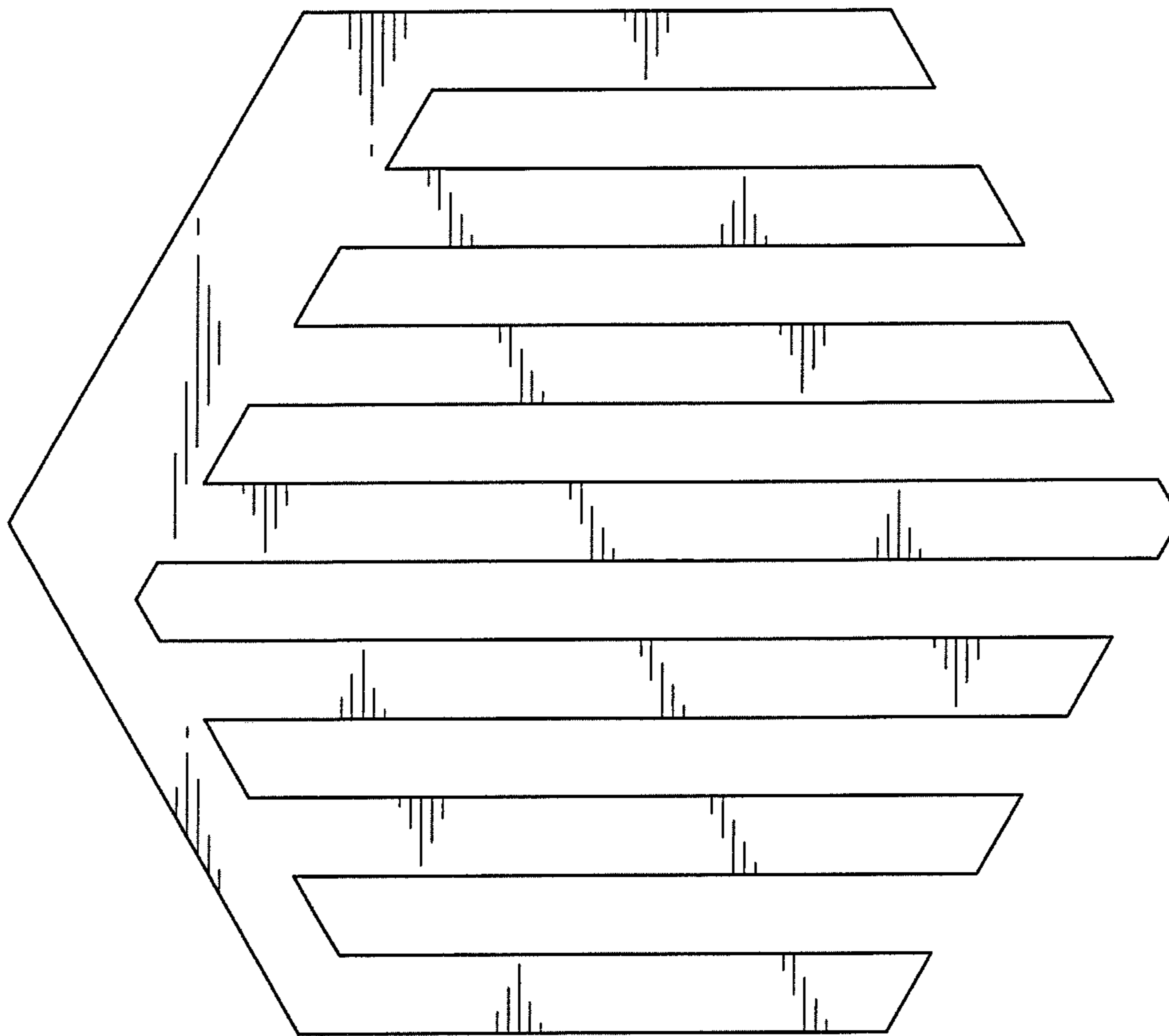


FIG. 2

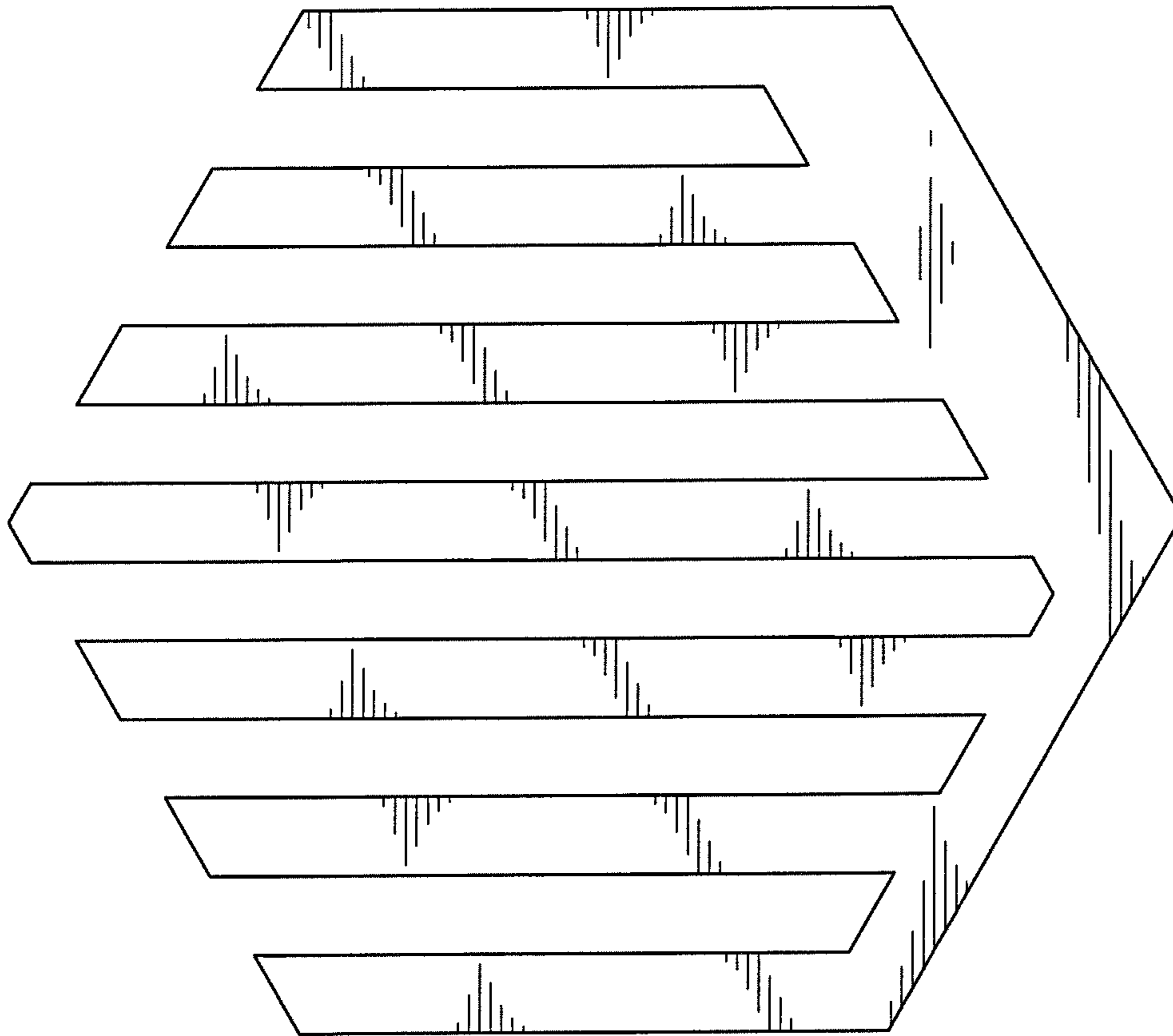


FIG. 3



FIG. 4

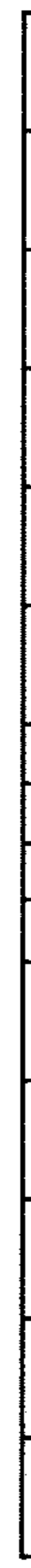


FIG. 5



FIG. 6



FIG. 7

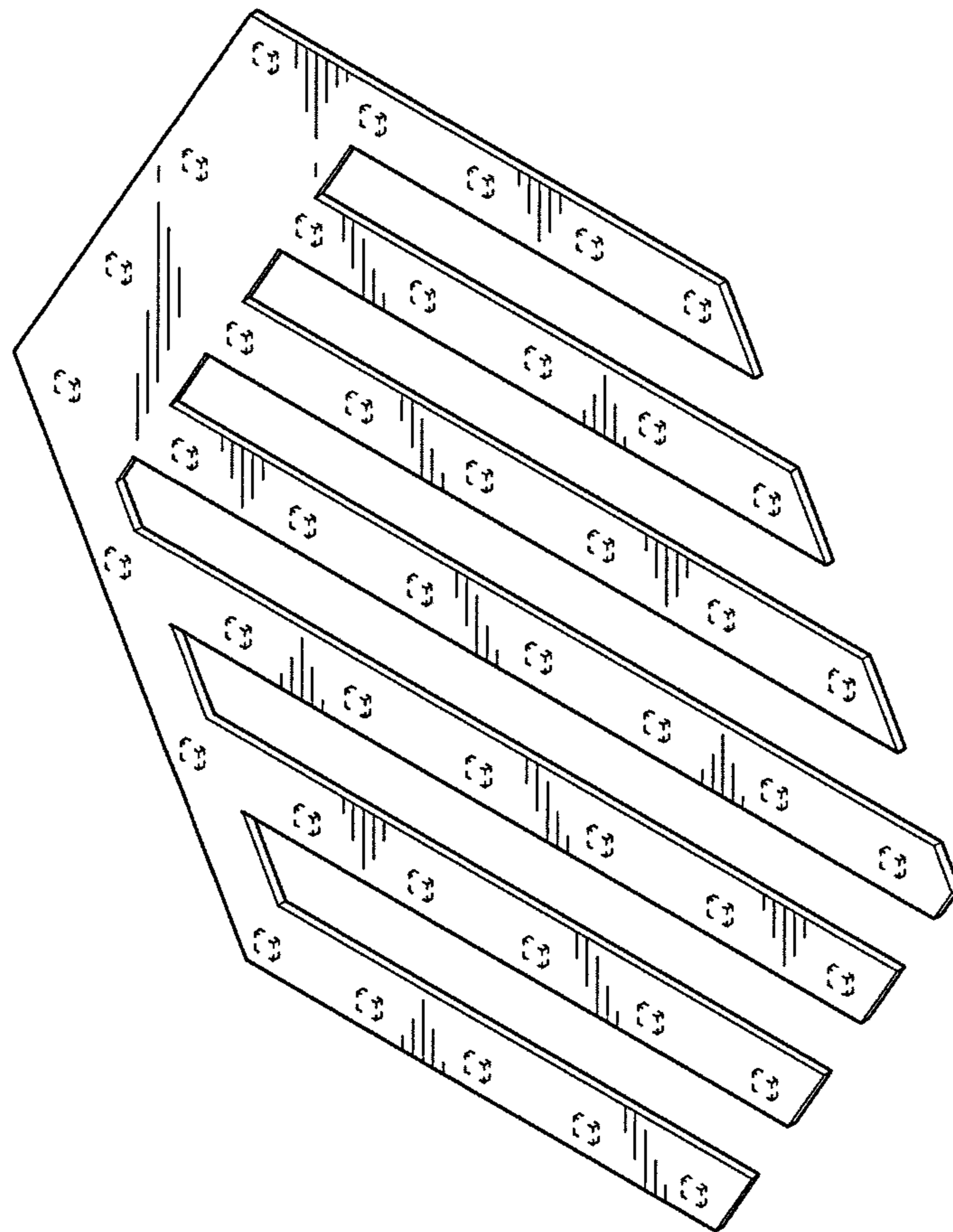


FIG. 8