



US00D726952S

(12) **United States Design Patent**
Kitts

(10) **Patent No.:** **US D726,952 S**
(45) **Date of Patent:** **** Apr. 14, 2015**

(54) **LAMP**

(71) Applicant: **Hubbardton Forge LLC**, Castleton, VT (US)

(72) Inventor: **David Kitts**, Rutland, VT (US)

(73) Assignee: **Hubbardton Forge LLC VT** (US)

(**) Term: **14 Years**

(21) Appl. No.: **29/502,943**

(22) Filed: **Sep. 22, 2014**

(51) **LOC (10) Cl.** **26-03**

(52) **U.S. Cl.**
USPC **D26/85; D26/87**

(58) **Field of Classification Search**
CPC F21W 2121/00; F21S 8/00; F21S 4/00
USPC D26/67, 68, 72, 80-92, 118, 128-134;
362/147, 404-408, 350, 356, 361, 431,
362/432

See application file for complete search history.

(56) **References Cited**

U.S. PATENT DOCUMENTS

RE295 E *	1/1855	Booth	362/180
D37,742 S *	12/1905	Davis	D26/68
D315,612 S *	3/1991	Hughes et al.	D26/85
D343,471 S *	1/1994	Belisle et al.	D26/85
D347,486 S *	5/1994	Gruber et al.	D26/85
D390,994 S *	2/1998	Ewing et al.	D26/67
D391,383 S *	2/1998	Ewing et al.	D26/67

D400,277 S *	10/1998	Ewing et al.	D26/67
D461,267 S *	8/2002	Arumugasaamy	D26/85
D461,577 S *	8/2002	Cheong	D26/67
D461,580 S *	8/2002	Hsu	D26/85
D478,184 S *	8/2003	DiPasquale et al.	D26/67
D509,312 S *	9/2005	Chen	D26/67
D521,167 S *	5/2006	Krieger et al.	D26/40
D529,656 S *	10/2006	Wen	D26/68
D565,226 S *	3/2008	Gou	D26/67
D697,249 S *	1/2014	Pyle	D26/85

* cited by examiner

Primary Examiner — Clare E Heflin

(74) *Attorney, Agent, or Firm* — Bourque and Associates, PA

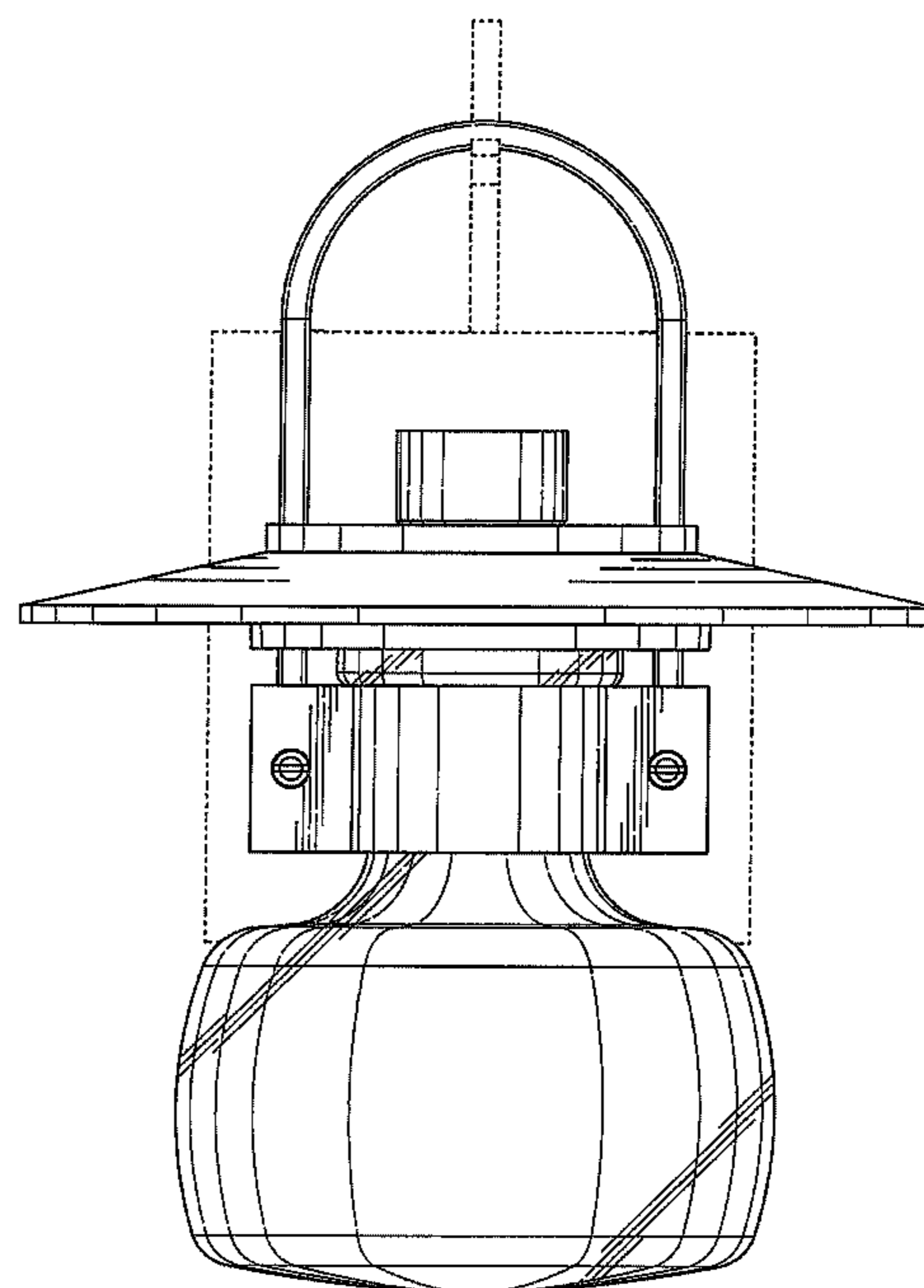
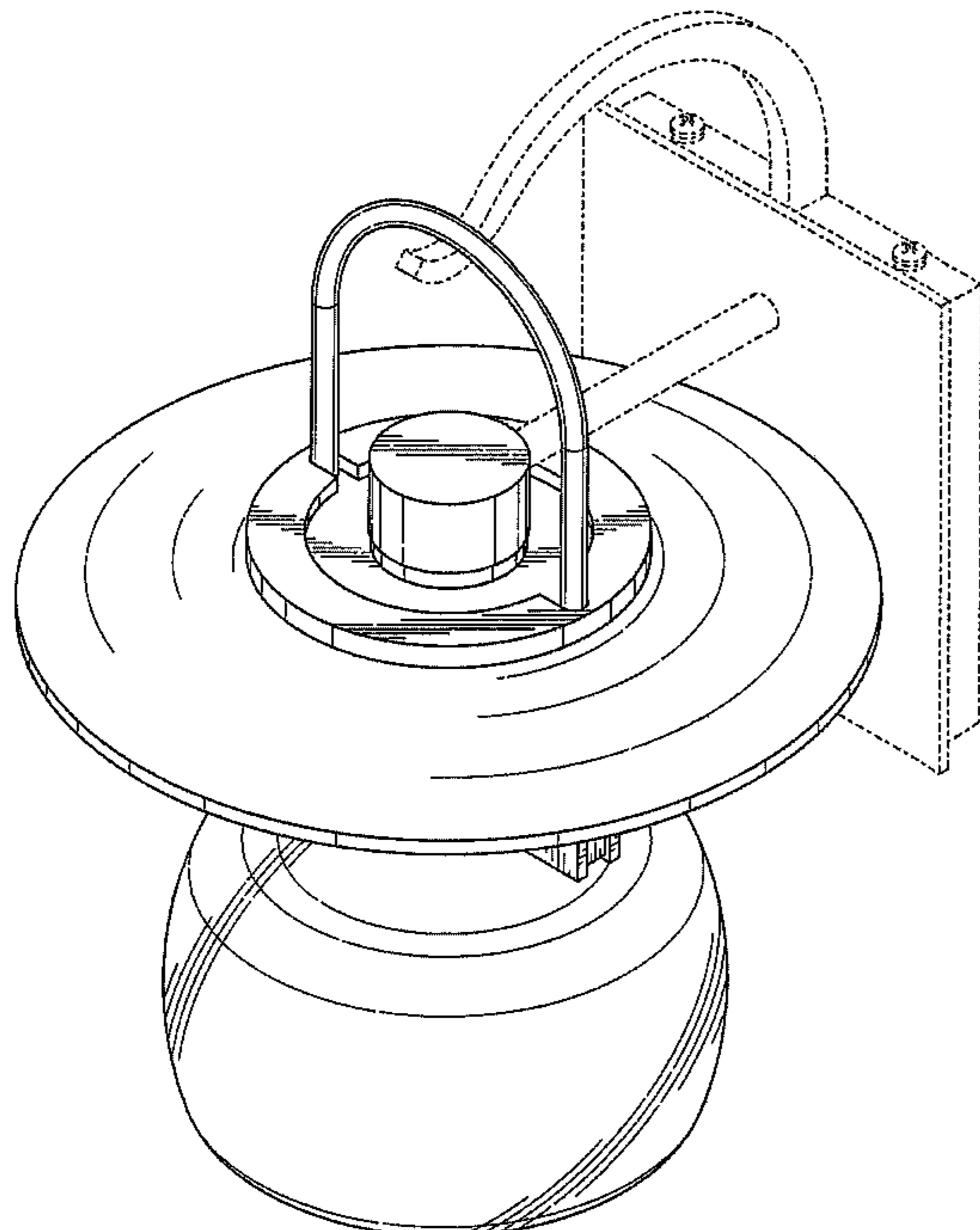
(57) **CLAIM**

The ornamental design for a lamp, as shown and described.

DESCRIPTION

FIG. 1 is a perspective view of the lamp according to the present invention;
FIG. 2 is a front view of the lamp thereof;
FIG. 3 is a back view of the lamp thereof;
FIG. 4 is a right view of the lamp thereof;
FIG. 5 is a left view of the lamp thereof;
FIG. 6 is a top view of the lamp thereof; and,
FIG. 7 is a bottom view of the lamp thereof.
The broken lines shown on the drawings depict portions of the lamp that form no part of the claimed design.

1 Claim, 7 Drawing Sheets



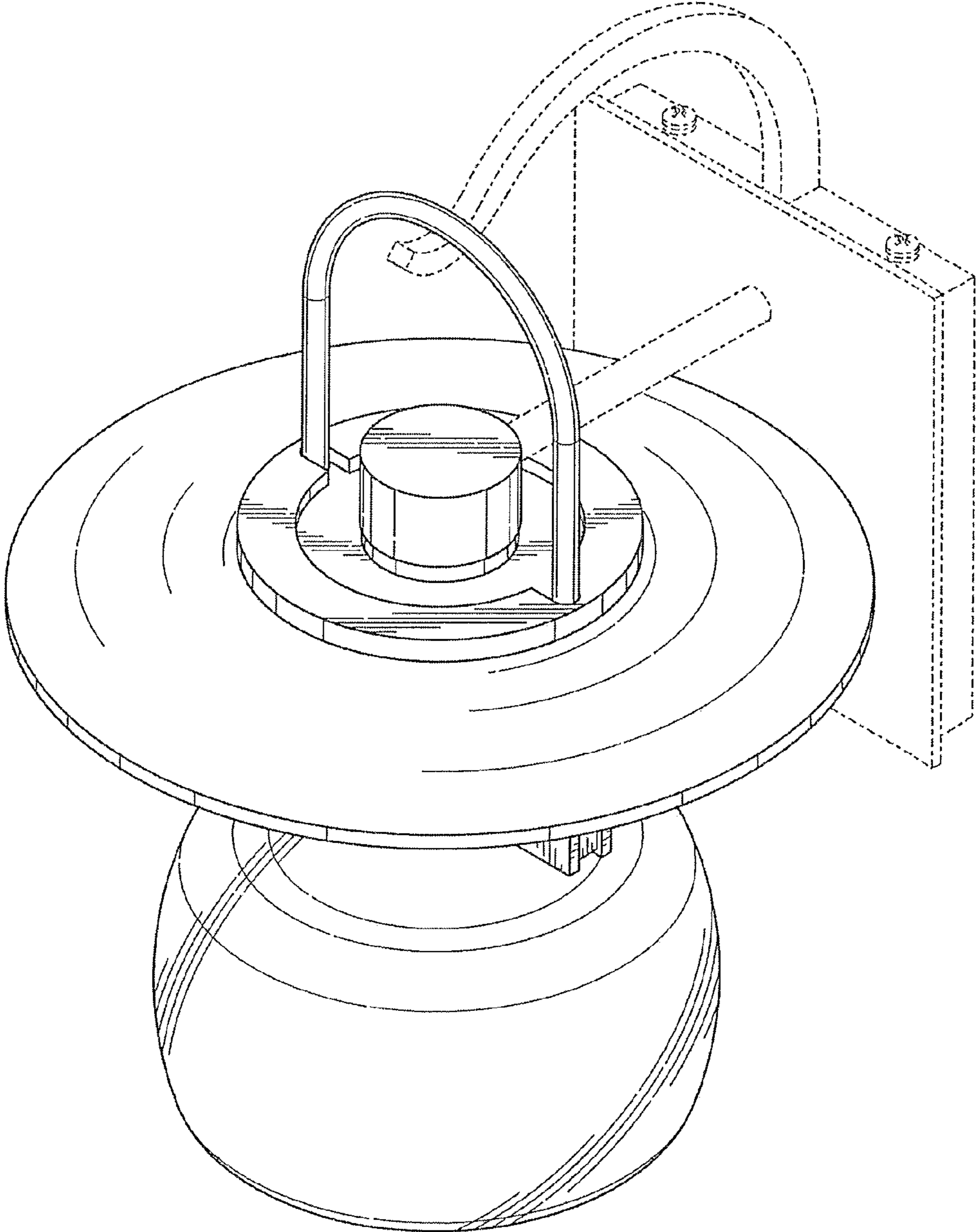


FIG. 1

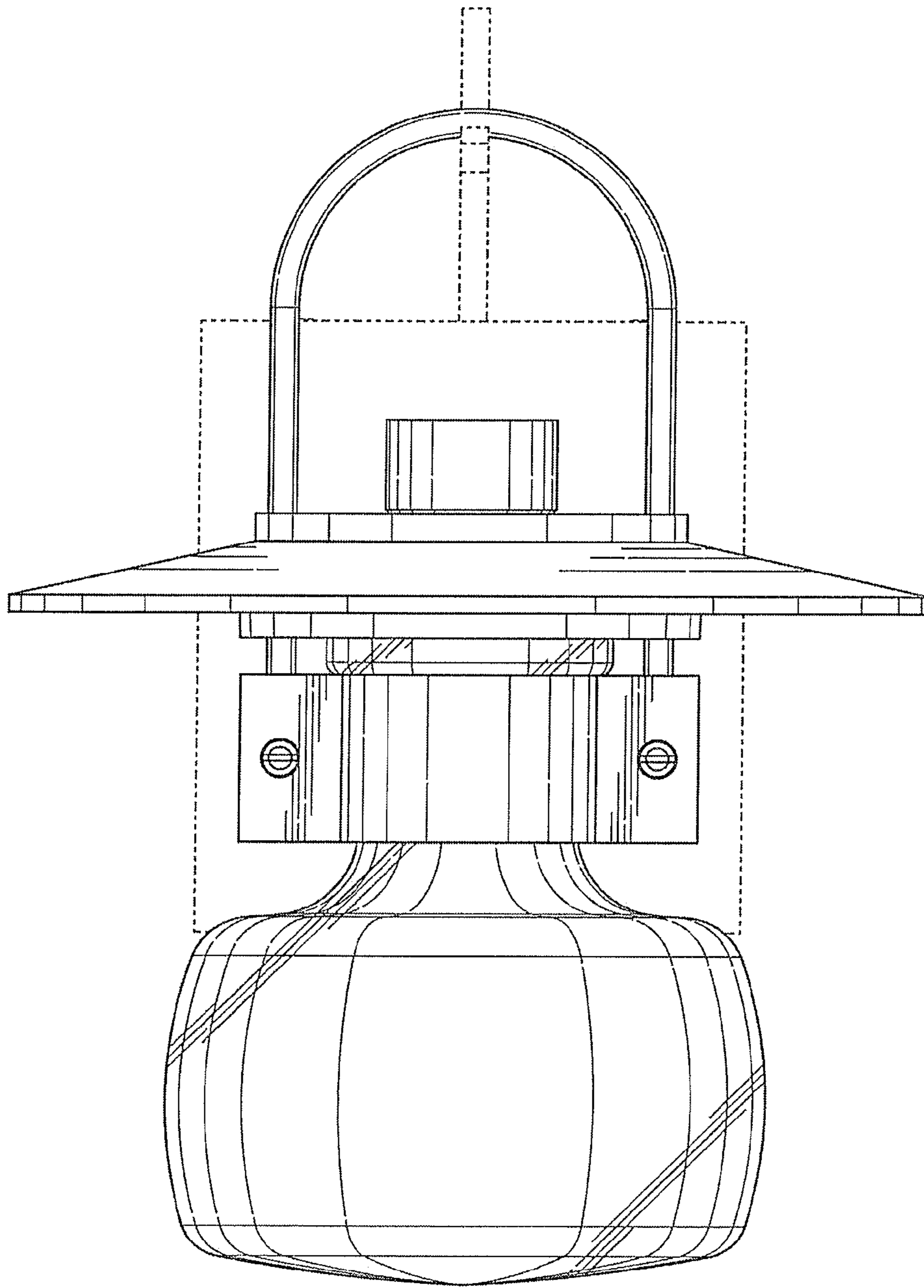


FIG. 2

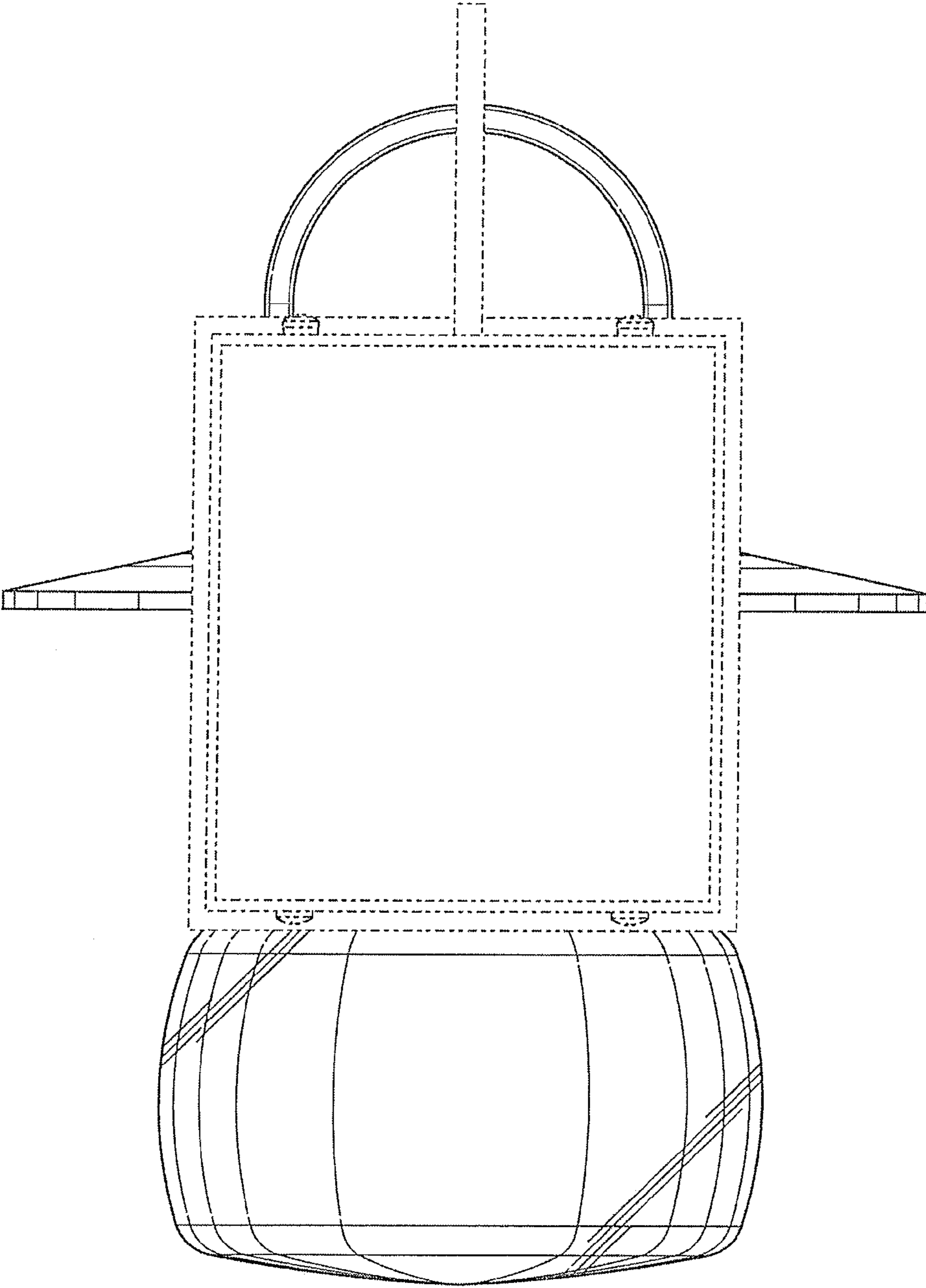


FIG. 3

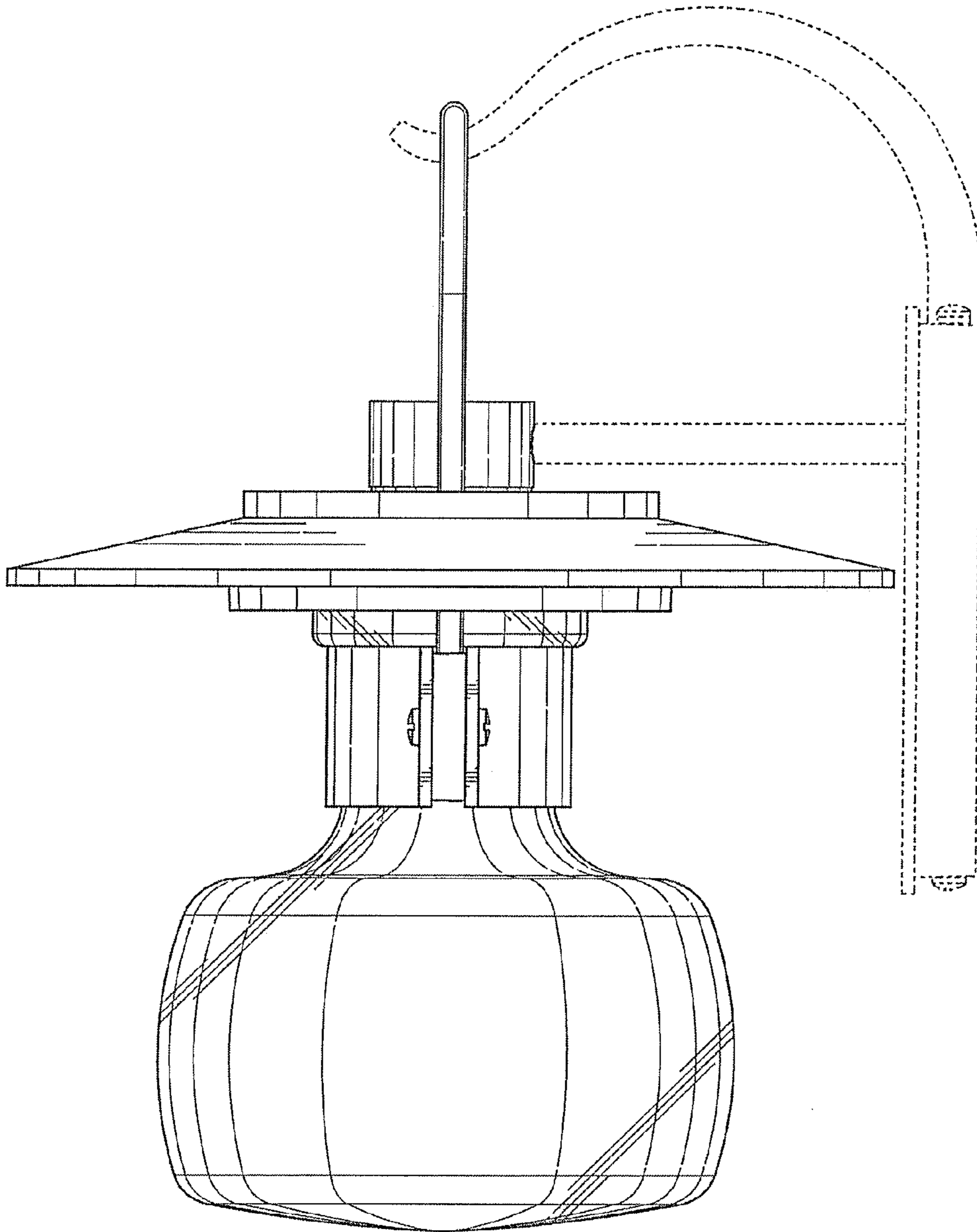


FIG. 4

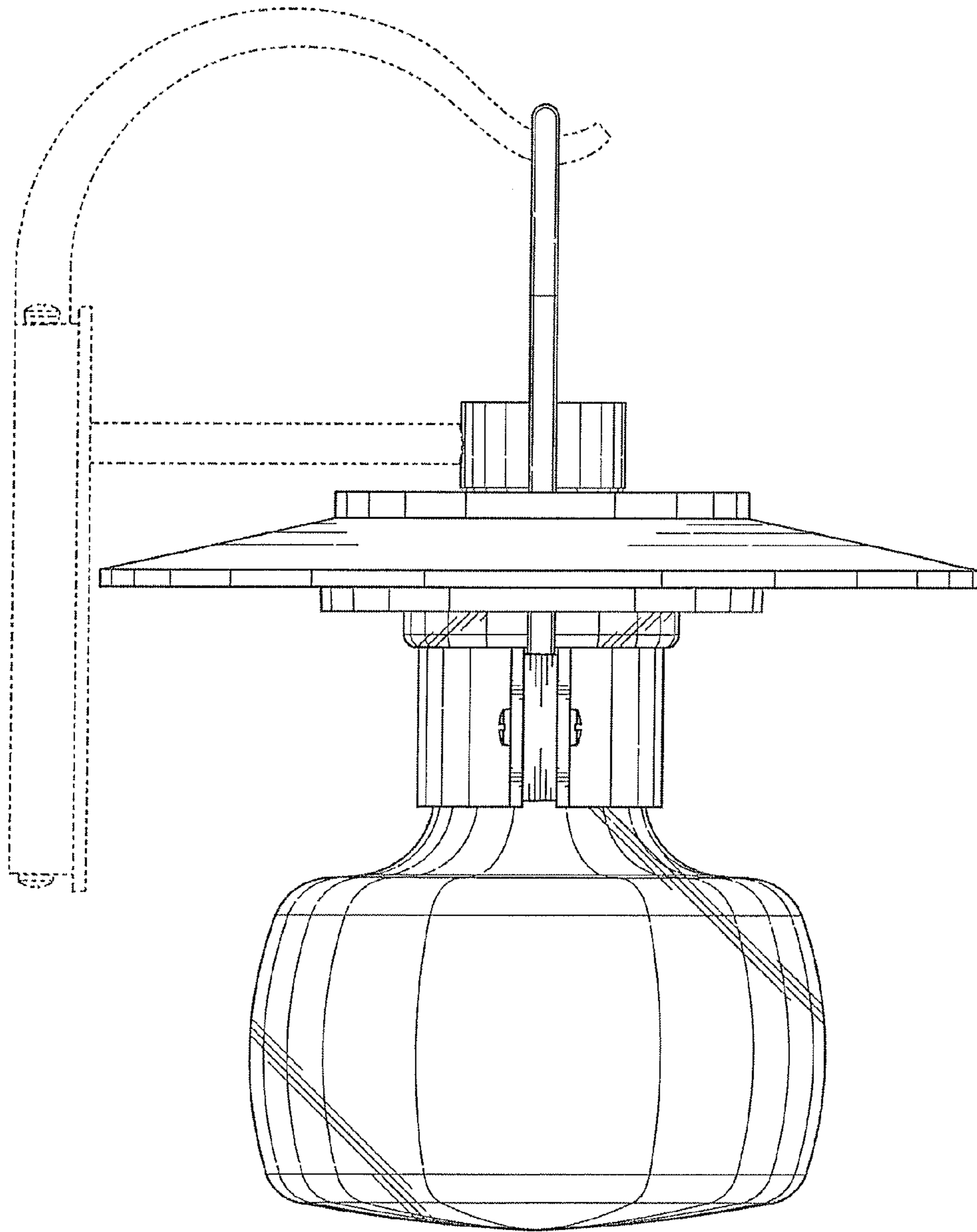


FIG. 5

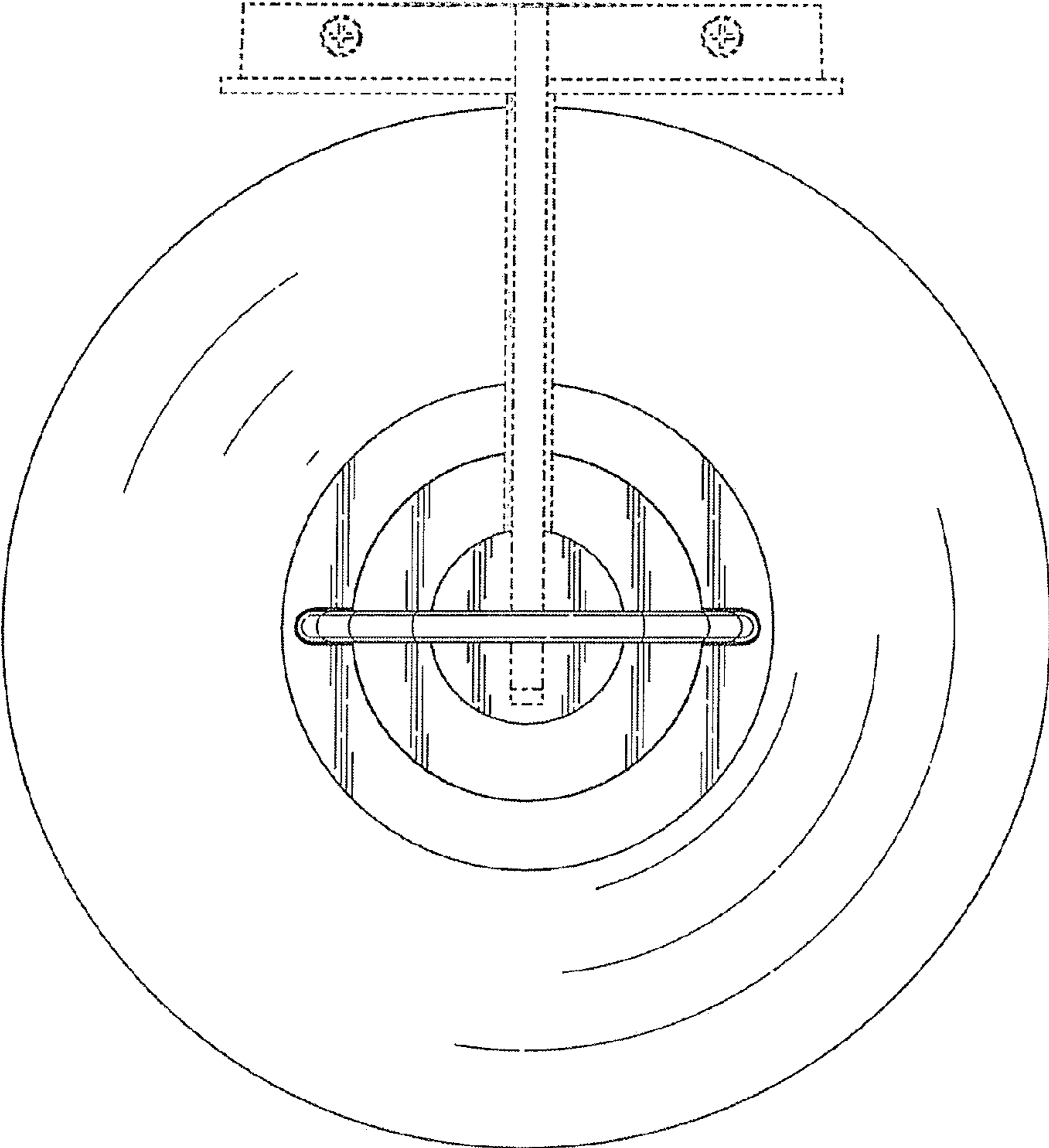


FIG. 6

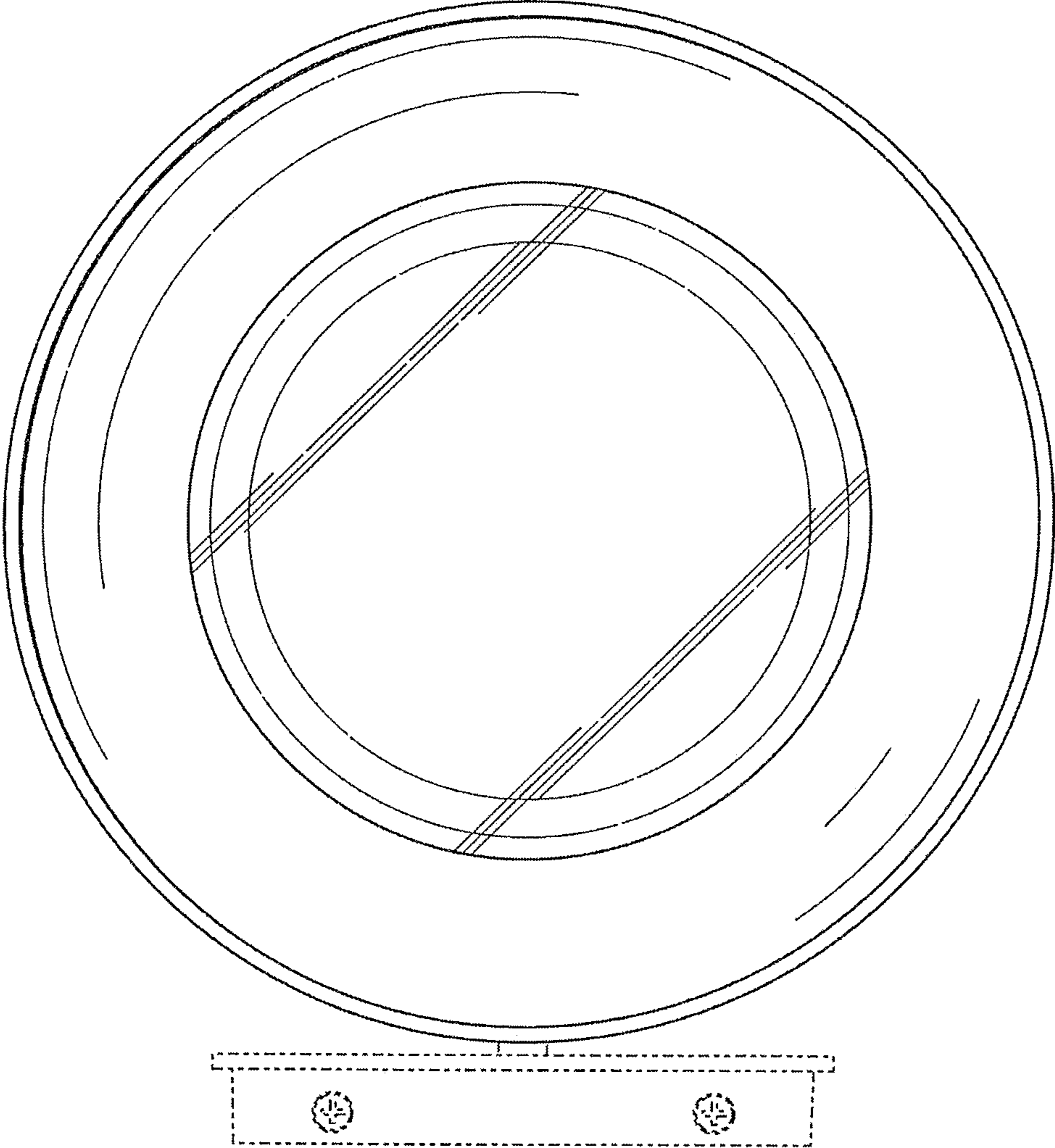


FIG. 7