

US00D726950S

(12) **United States Design Patent**  
**Serwacki et al.**

(10) **Patent No.:** **US D726,950 S**  
(45) **Date of Patent:** **\*\* Apr. 14, 2015**

(54) **LIGHTING ASSEMBLY**

(71) Applicant: **Molex Incorporated**, Lisle, IL (US)

(72) Inventors: **Megan Serwacki**, Oswego, IL (US);  
**Victor Zaderej**, St. Charles, IL (US);  
**Michael Picini**, Aurora, IL (US);  
**Gregory Kuchuris**, Wheaton, IL (US);  
**Daniel McGowan**, Glen Ellyn, IL (US);  
**Timothy Canzano**, Glen Ellyn, IL (US)

(73) Assignee: **Molex Incorporated**, Lisle, IL (US)

(\*\*) Term: **14 Years**

(21) Appl. No.: **29/483,557**

(22) Filed: **Feb. 28, 2014**

(51) **LOC (10) Cl.** ..... **26-05**

(52) **U.S. Cl.**  
USPC ..... **D26/74**

(58) **Field of Classification Search**  
CPC ..... F21V 29/2262; F21V 7/06; F21V 21/044;  
F21V 21/047; F21V 29/2212; F21V 29/2225;  
F21V 29/2256; F21V 29/225; F21V 29/2268;  
F21S 8/02; F21S 8/026; F21Y 2111/002  
USPC ..... D26/74, 72, 75, 76, 77, 78, 85, 88, 89,  
D26/118, 138, 141; 362/364, 365, 373, 145,  
362/146, 147, 148, 150, 153, 153.1, 294,  
362/296.01, 296.07, 296.08

See application file for complete search history.

(56) **References Cited**

**U.S. PATENT DOCUMENTS**

D325,999 S \* 5/1992 Sonneman ..... D26/152  
D399,590 S \* 10/1998 Lecluze ..... D26/118  
D473,966 S \* 4/2003 Lecluze ..... D26/74  
D488,583 S \* 4/2004 Benghozi ..... D26/118  
D544,979 S \* 6/2007 Hartmann et al. .... D26/74

D548,391 S \* 8/2007 Lecluze ..... D26/138  
D562,489 S \* 2/2008 Rashidi ..... D26/74  
D609,840 S \* 2/2010 Tang ..... D26/74  
D622,434 S \* 8/2010 Ward et al. .... D26/74  
D668,372 S \* 10/2012 Renshaw et al. .... D26/74  
D671,668 S \* 11/2012 Rowlette et al. .... D26/74  
D694,456 S \* 11/2013 Rowlette et al. .... D26/74  
2008/0212330 A1 \* 9/2008 Hartmann et al. .... 362/311

\* cited by examiner

*Primary Examiner* — Angela J Lee

(74) *Attorney, Agent, or Firm* — Banner & Witcoff, Ltd.

(57) **CLAIM**

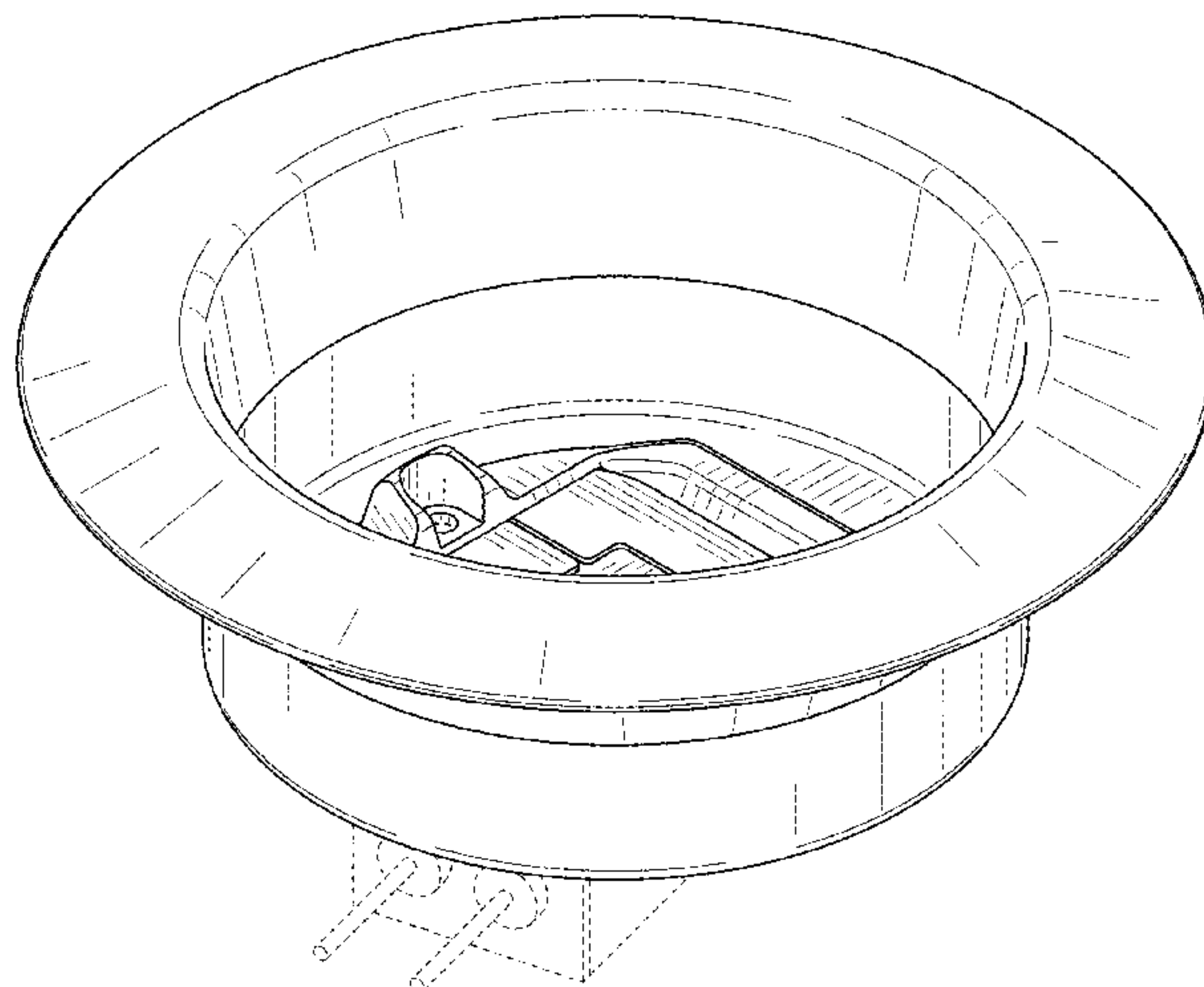
The ornamental design for a lighting assembly, as shown and described.

**DESCRIPTION**

FIG. 1 is a front perspective view of a lighting assembly showing our new design;  
FIG. 2 is a front view thereof;  
FIG. 3 is a rear view thereof;  
FIG. 4 is a right side view thereof;  
FIG. 5 is a left side view thereof;  
FIG. 6 is a top view thereof;  
FIG. 7 is a bottom view thereof;  
FIG. 8 is a front isometric view of the lighting assembly of FIGS. 1-7 without surface shading and without disclaimed subject matter;  
FIG. 9 is a front view thereof;  
FIG. 10 is a rear view thereof;  
FIG. 11 is a right side view thereof;  
FIG. 12 is a left side view thereof;  
FIG. 13 is a top view thereof; and  
FIG. 14 is a bottom view thereof.

The broken line showing in FIGS. 1-7 of the lighting assembly is for environmental purposes only and forms no part of the claimed design.

**1 Claim, 10 Drawing Sheets**



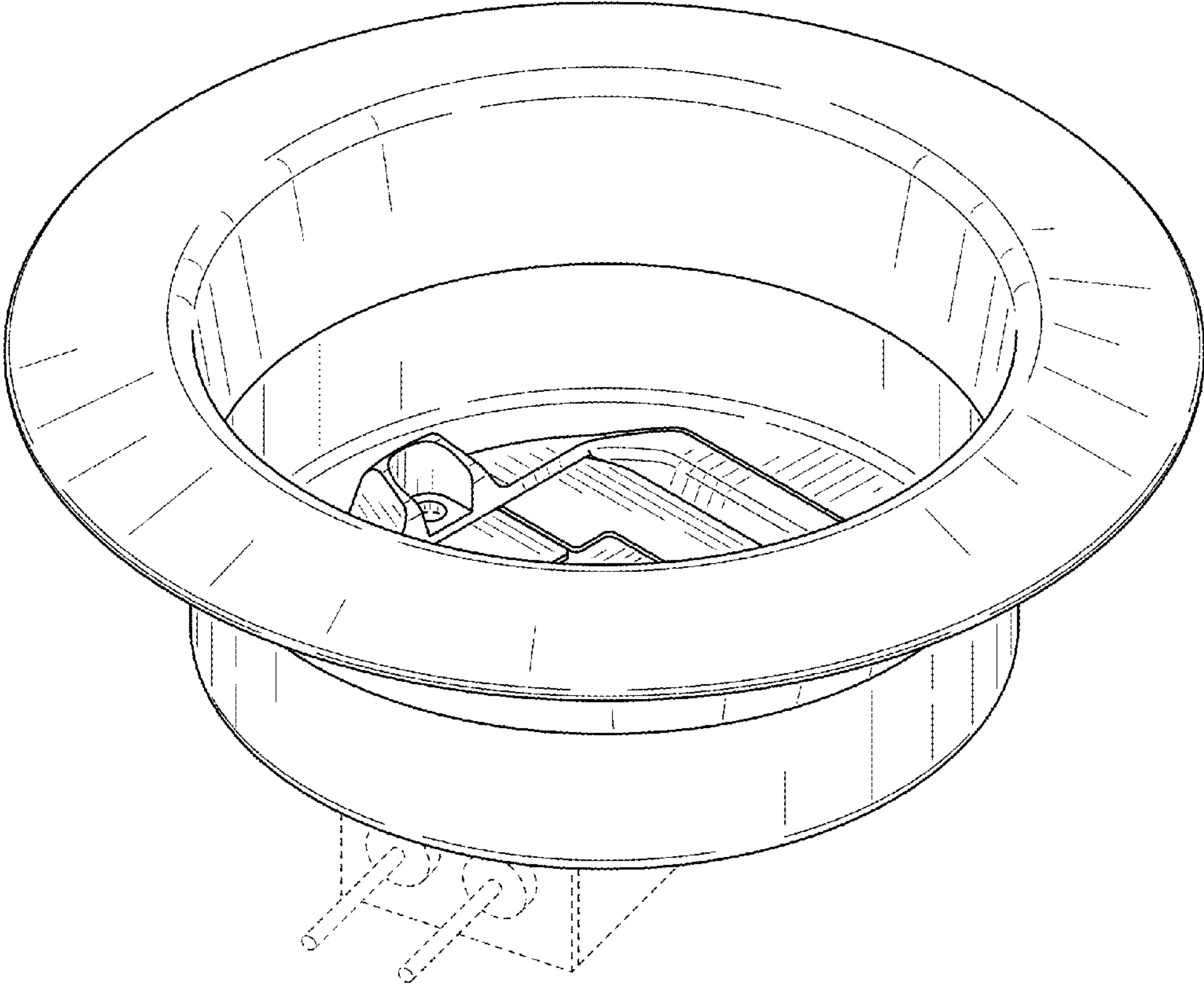


FIG. 1

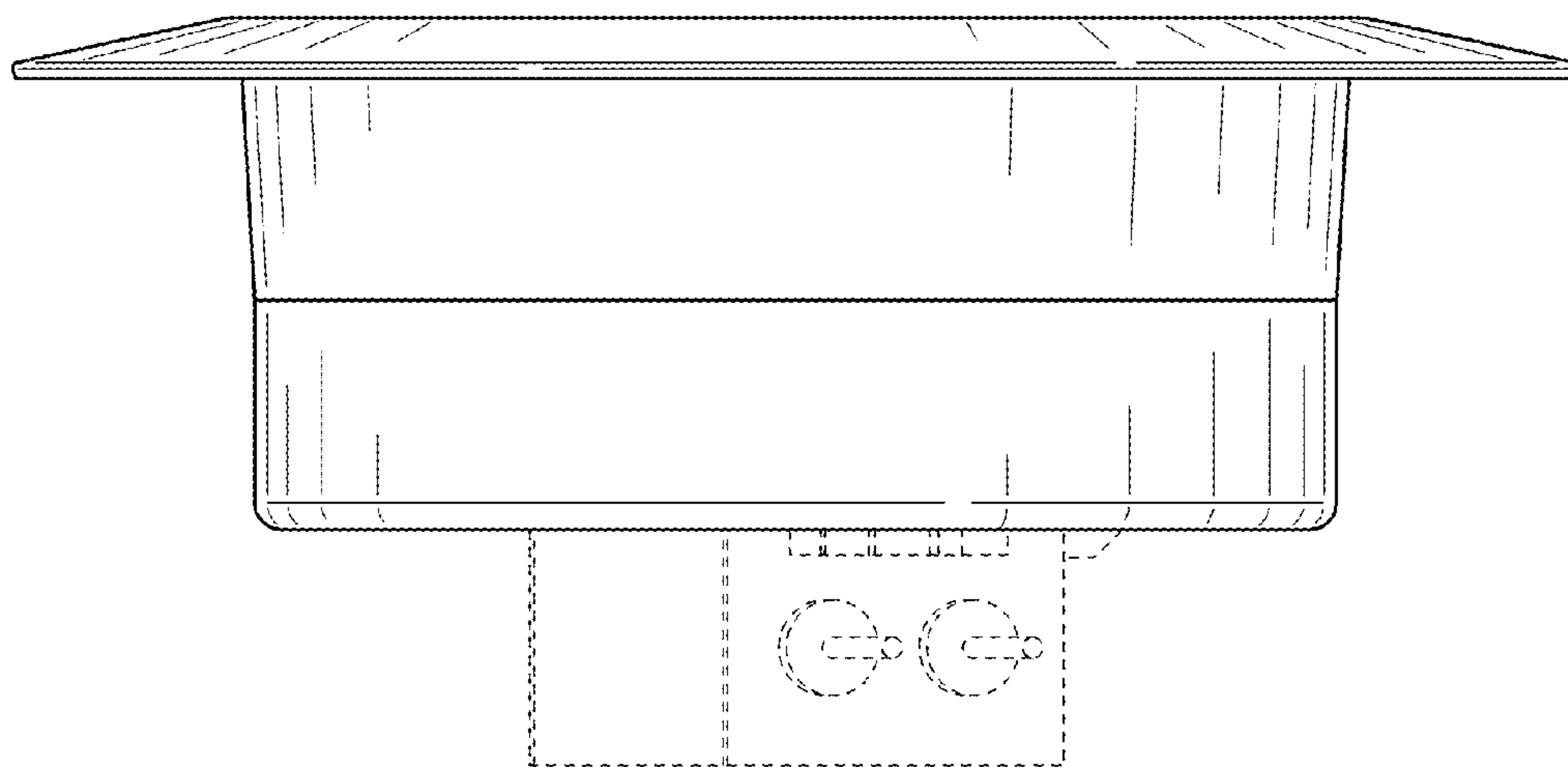


FIG. 2

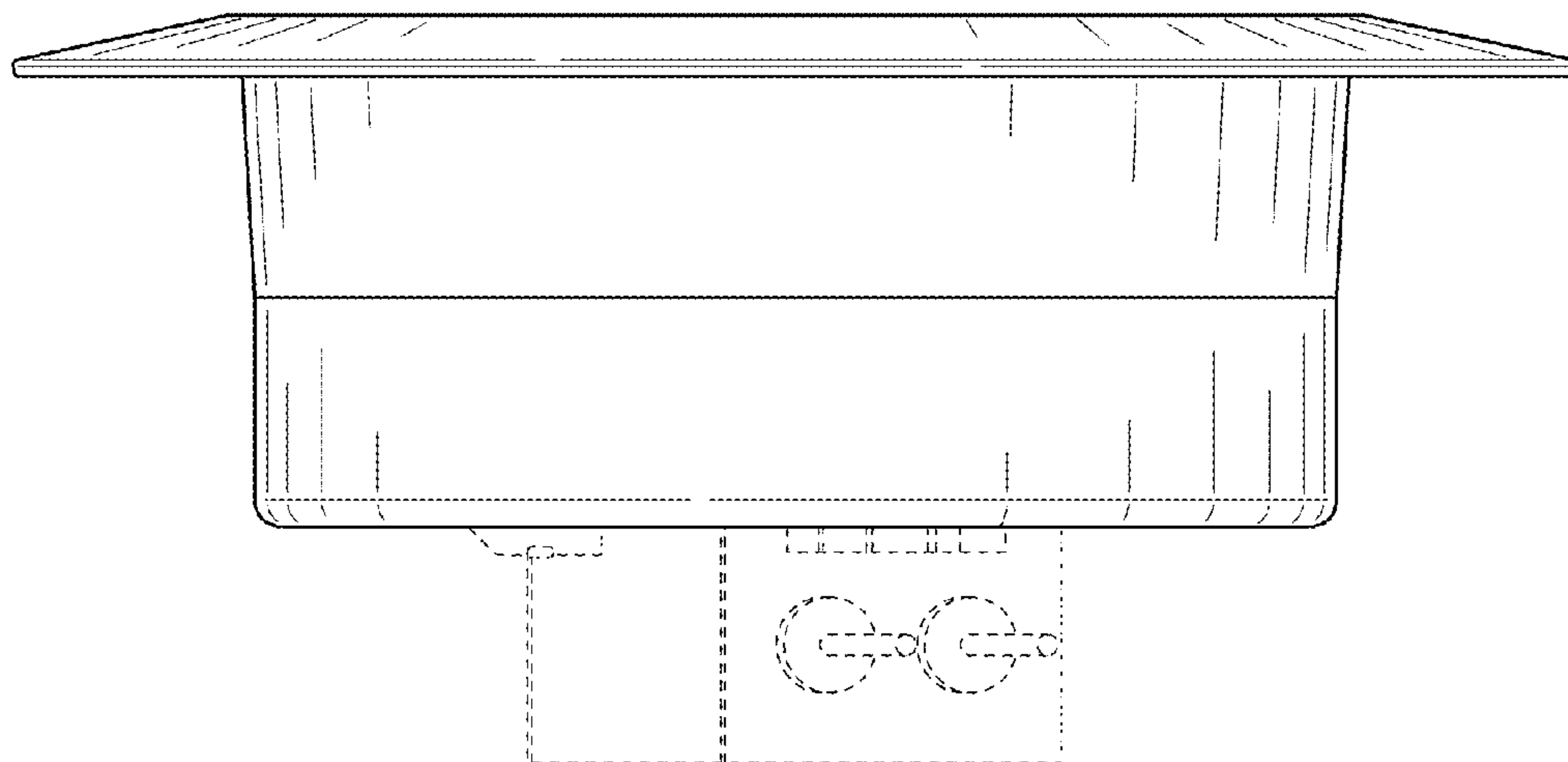


FIG. 3

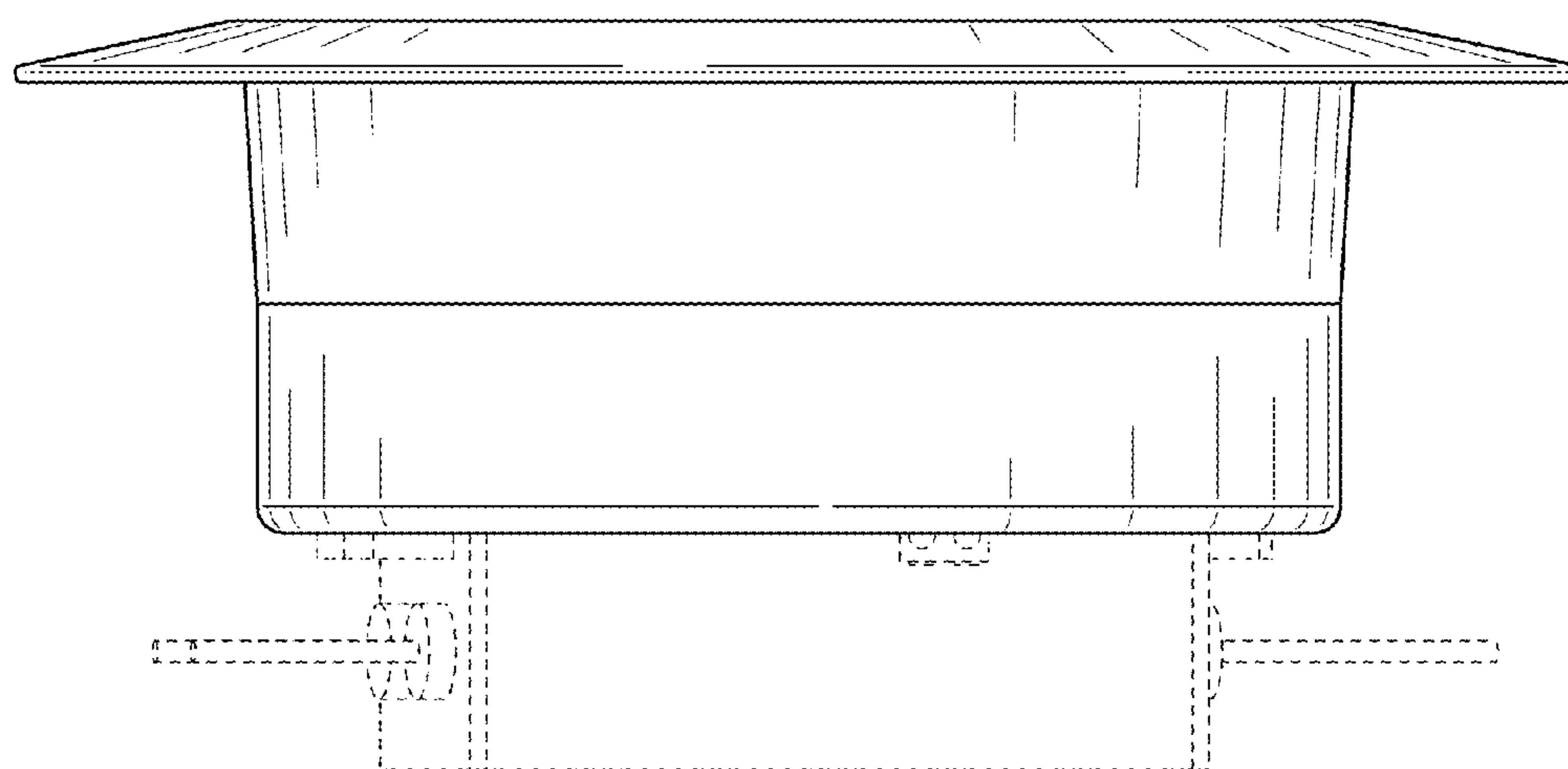


FIG. 4

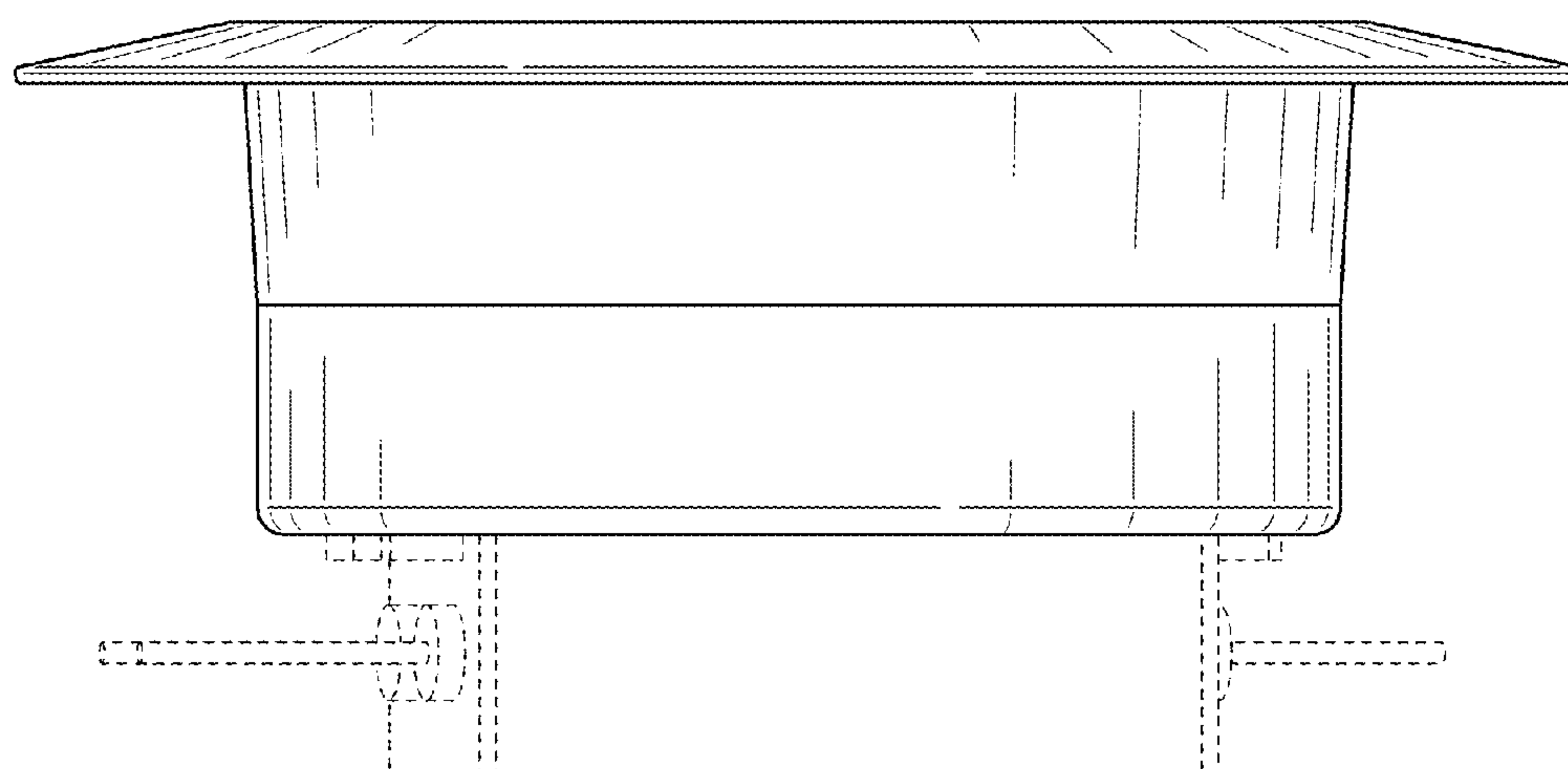


FIG. 5

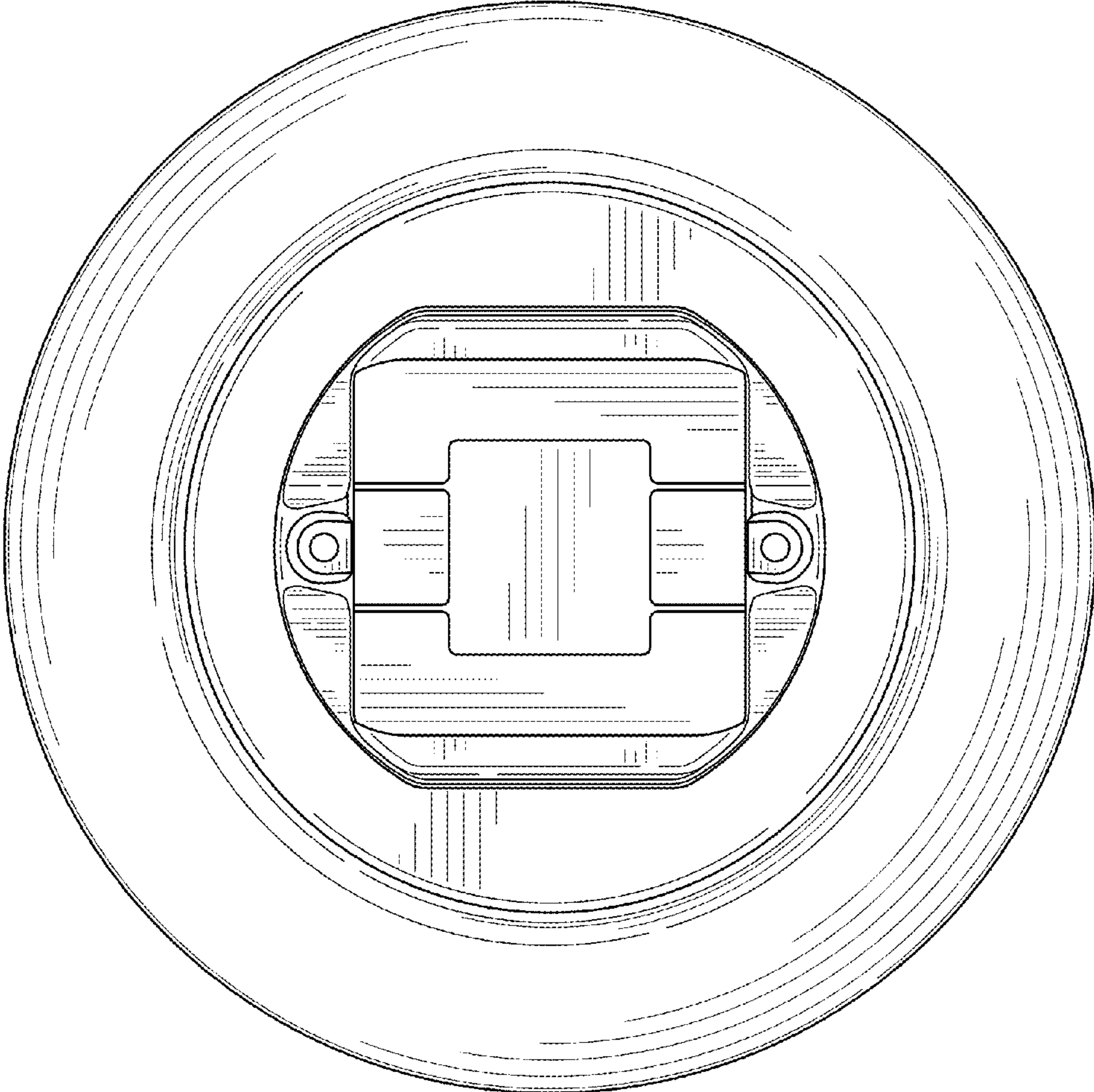


FIG. 6



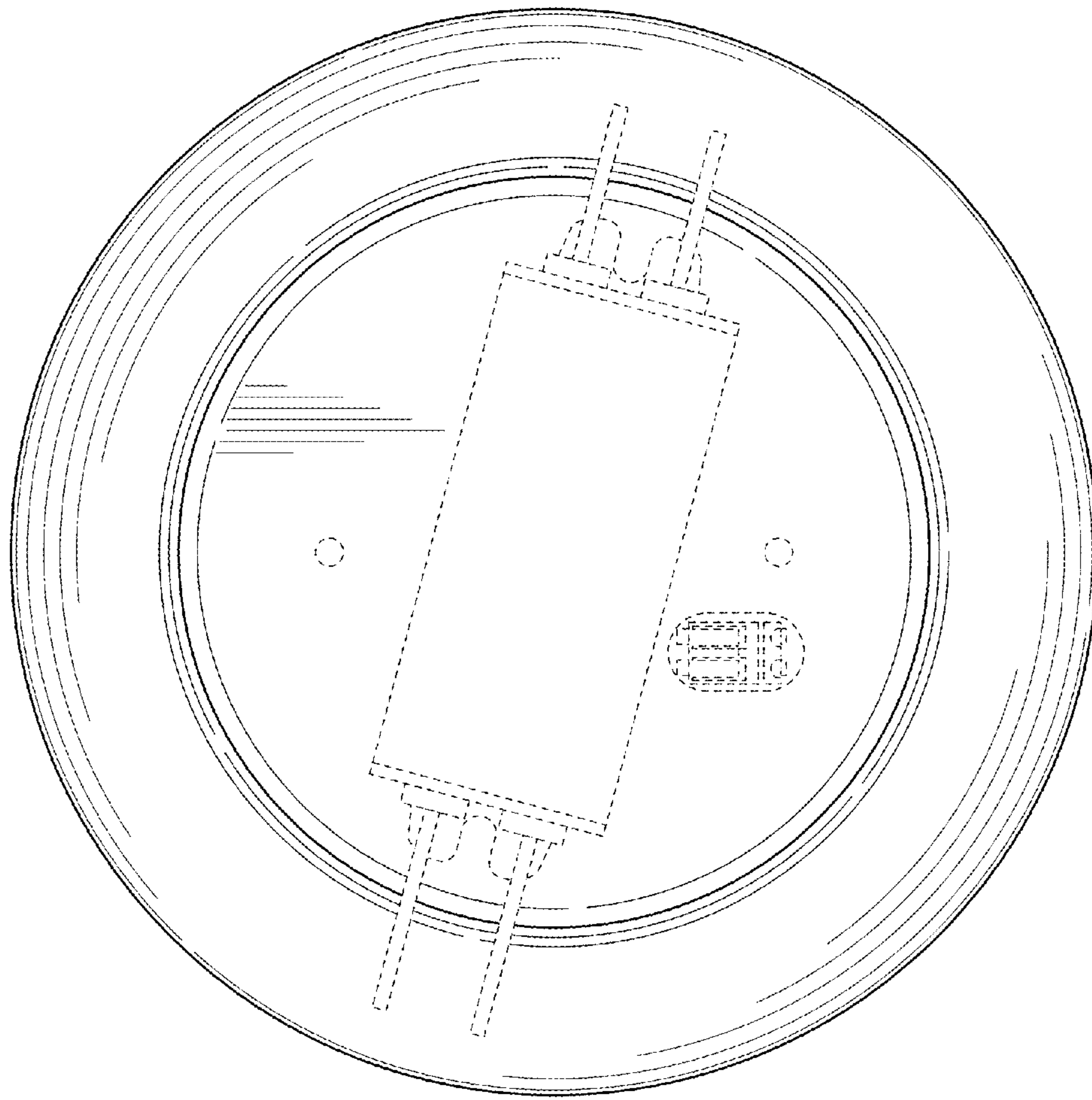


FIG. 7

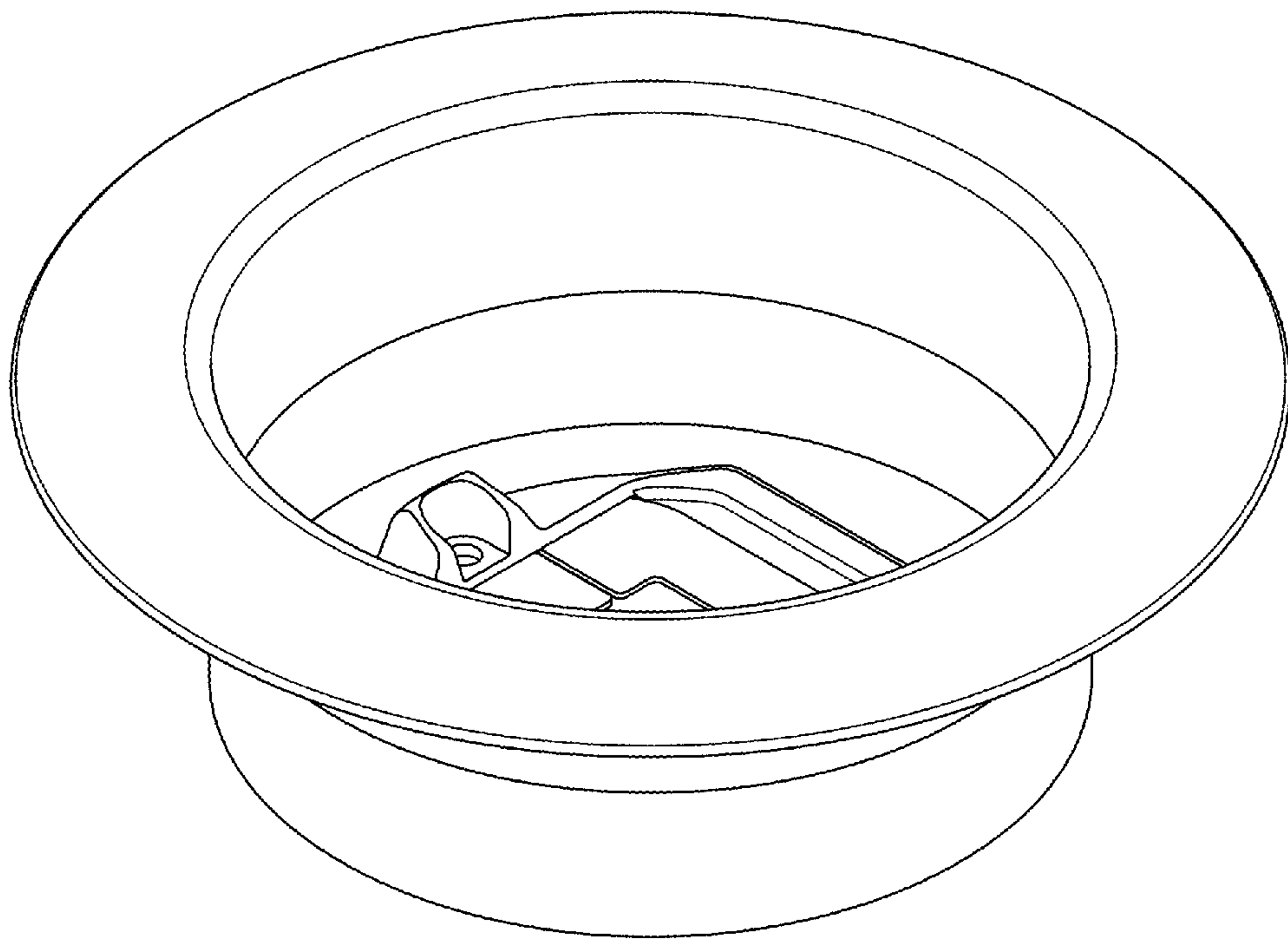


FIG. 8

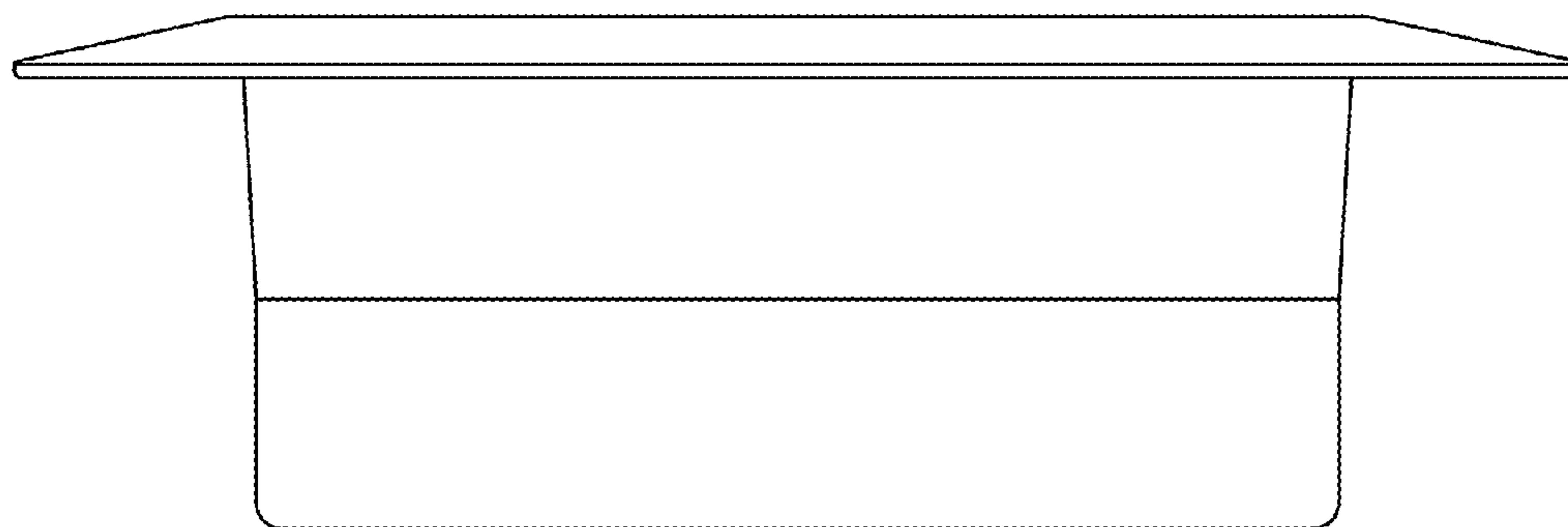


FIG. 9

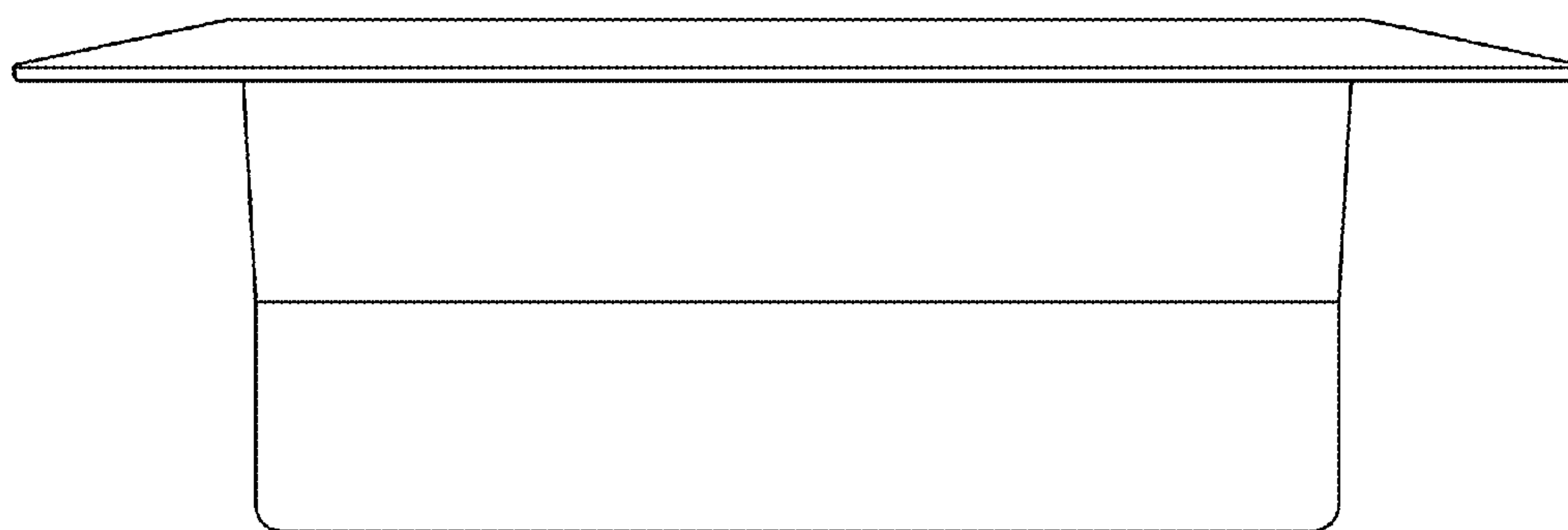


FIG. 10



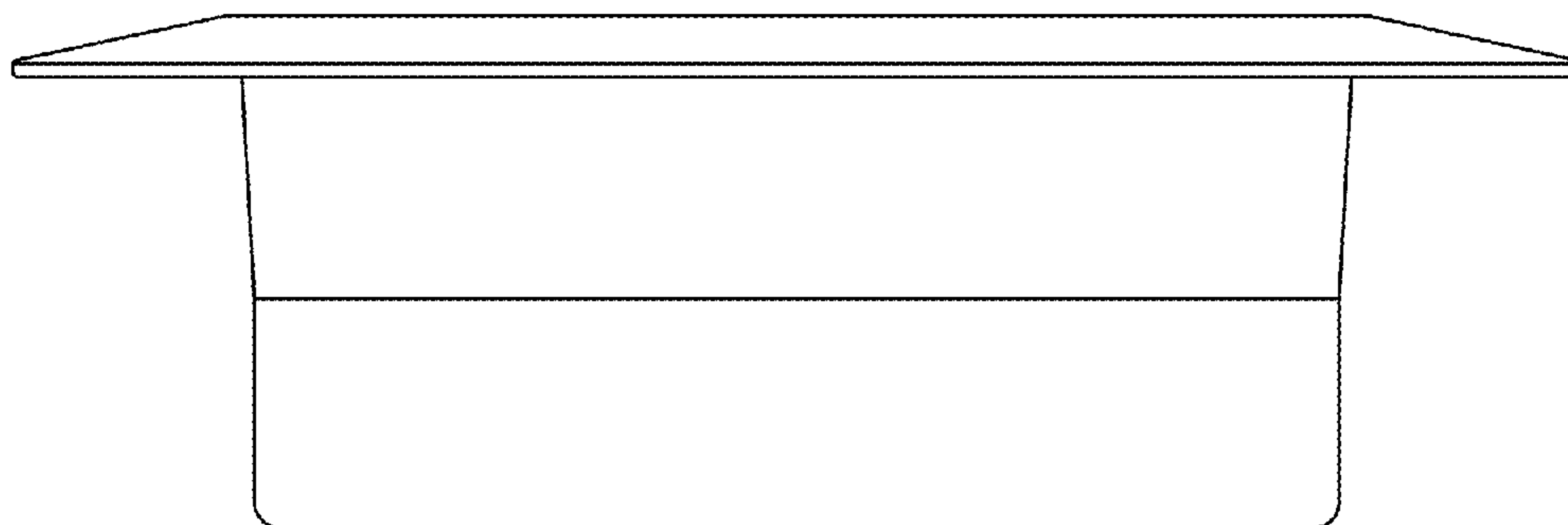


FIG. 11

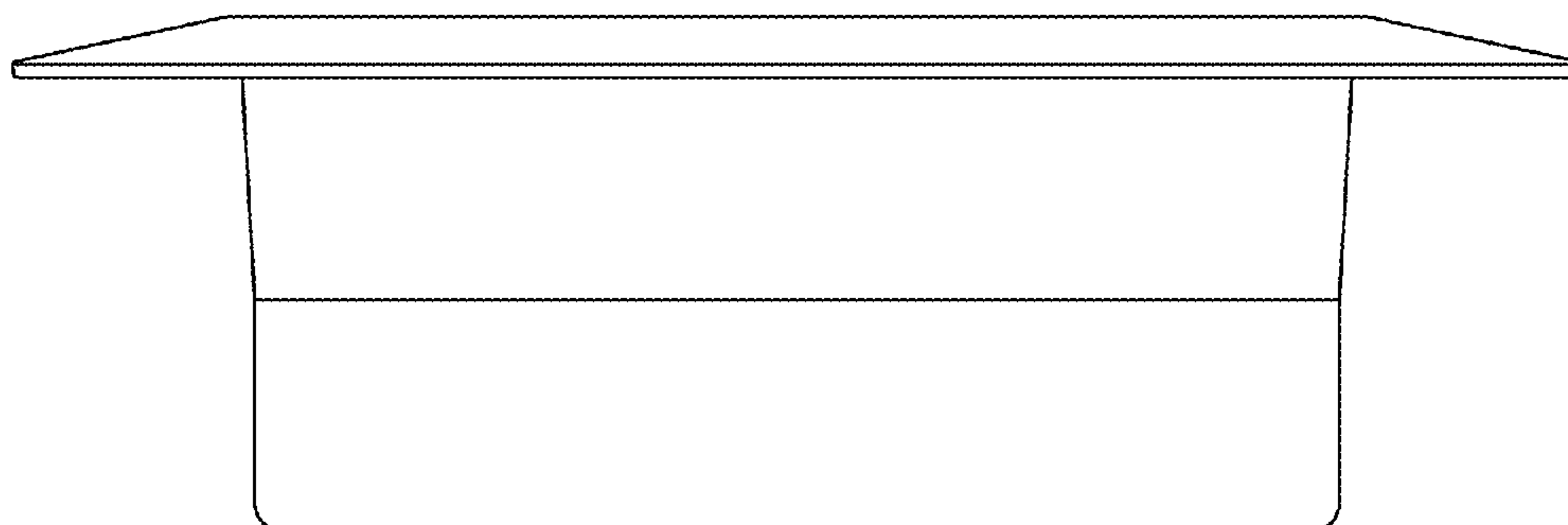


FIG. 12

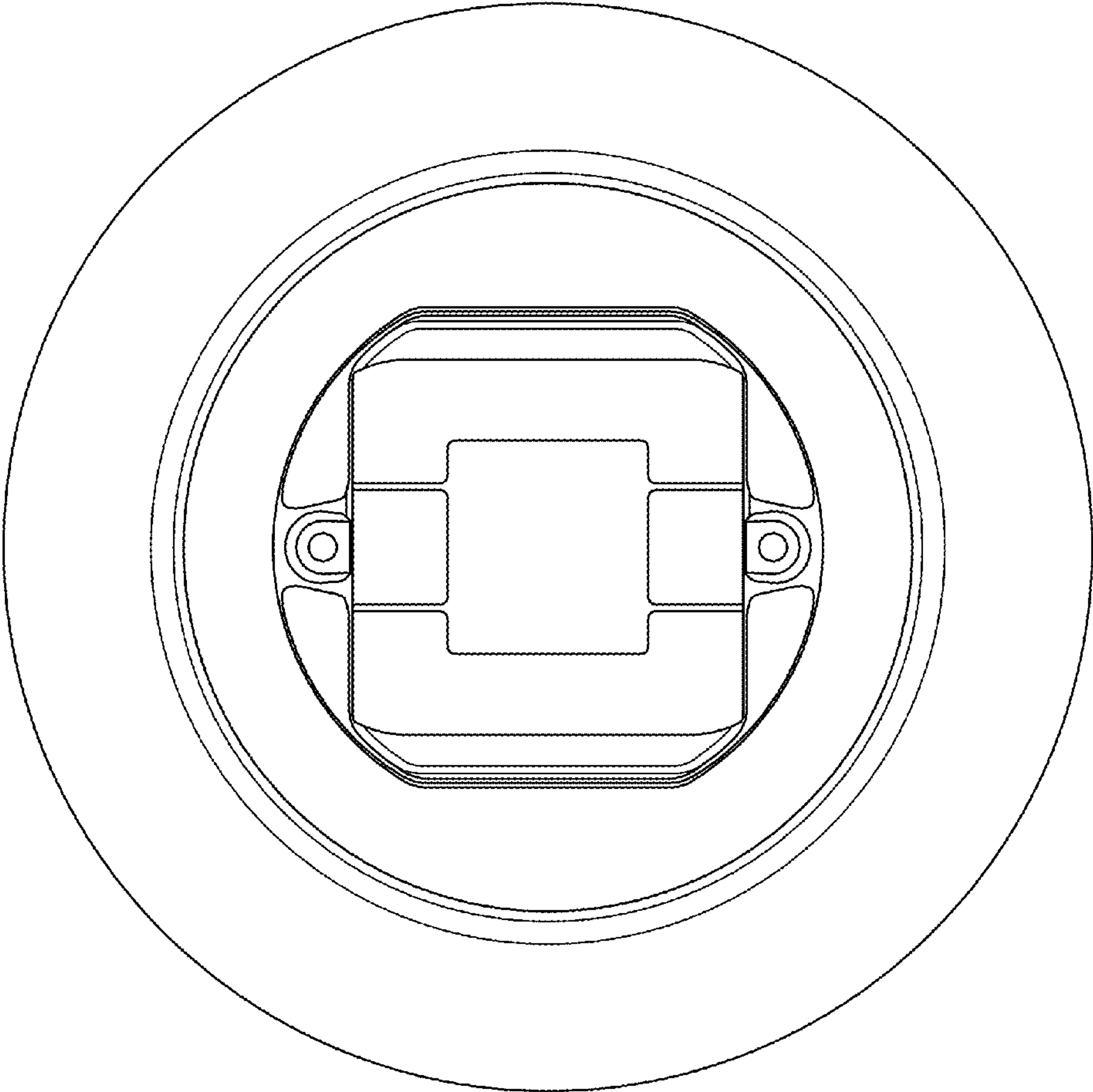


FIG. 13

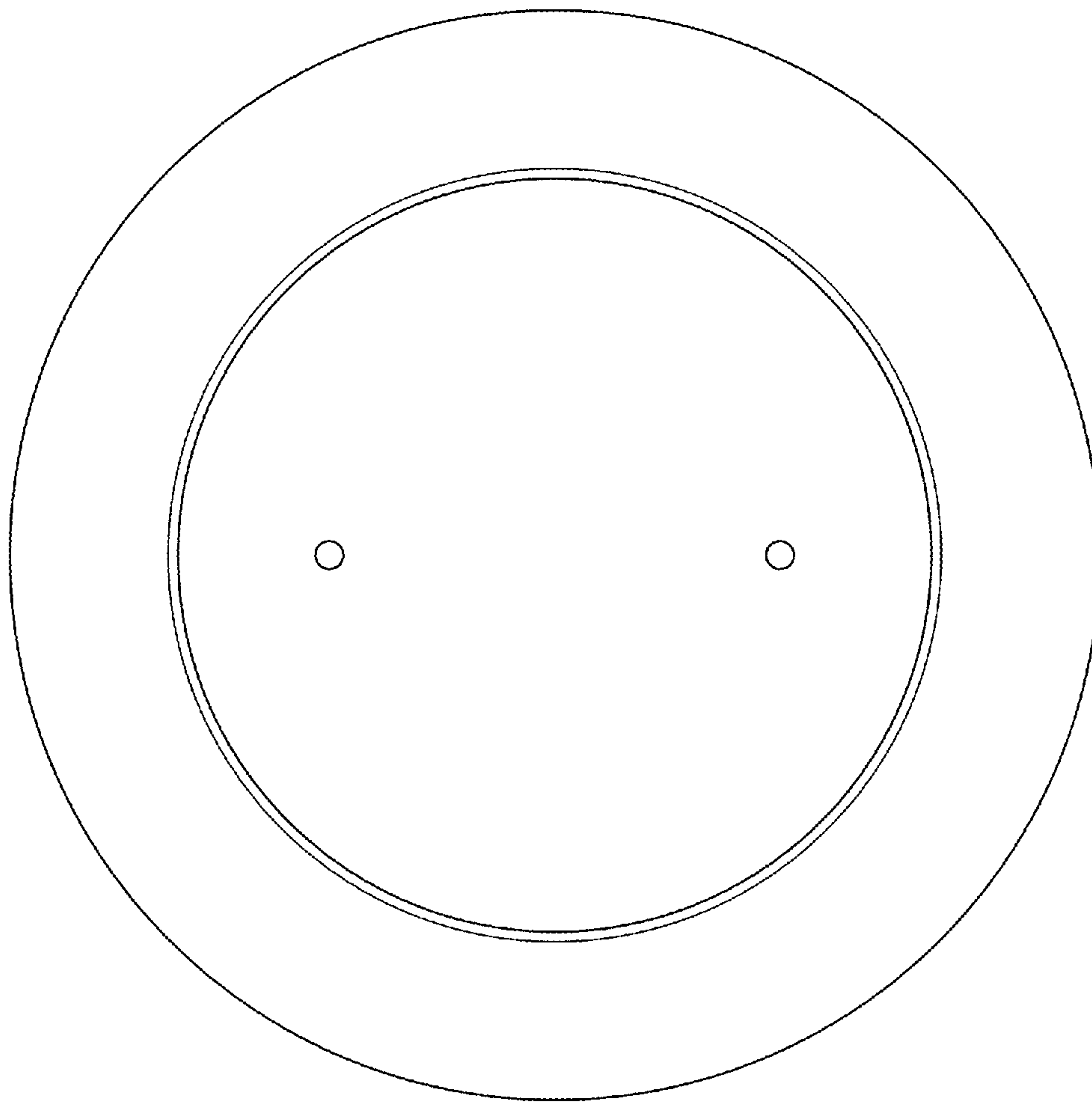


FIG. 14

UNITED STATES PATENT AND TRADEMARK OFFICE  
**CERTIFICATE OF CORRECTION**

PATENT NO. : D726,950 S  
APPLICATION NO. : 29/483557  
DATED : April 14, 2015  
INVENTOR(S) : Serwacki et al.

Page 1 of 1

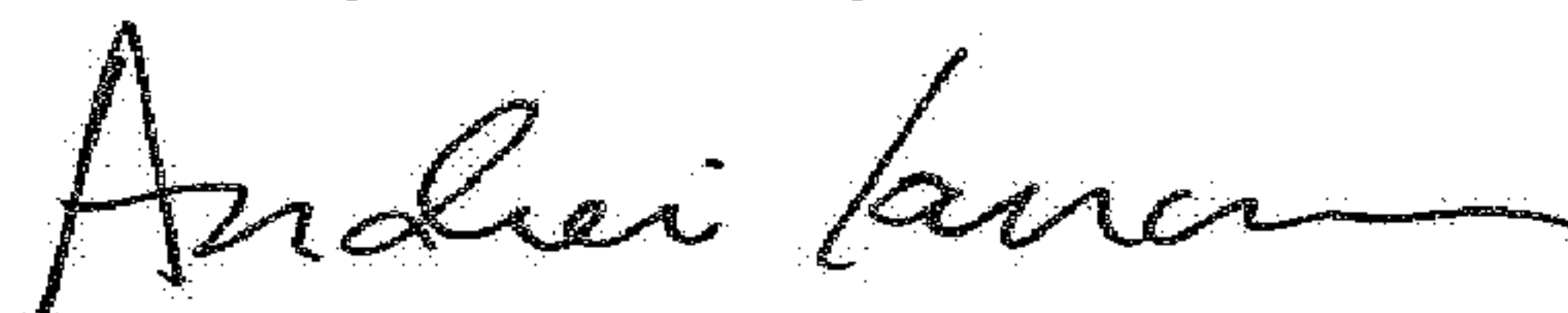
It is certified that error appears in the above-identified patent and that said Letters Patent is hereby corrected as shown below:

On the Title Page

Item (72) should read:

(72) Inventors **Megan Serwacki**, Oswego, IL (US);  
**Victor Zaderej**, St. Chareles, IL (US);  
**Michael Picini**, Aurora, IL (US);  
**Gregory Kuchuris**, Wheaton, IL (US);  
**Daniel McGowan**, Glen Ellyn, IL (US);  
**Timothy Canzano**, Glen Ellyn, IL (US);  
**Christopher Blount**, Naperville, IL (US)

Signed and Sealed this  
Twenty-sixth Day of June, 2018



Andrei Iancu  
Director of the United States Patent and Trademark Office