



US00D726949S

(12) **United States Design Patent**
Redfern

(10) **Patent No.:** **US D726,949 S**

(45) **Date of Patent:** **** Apr. 14, 2015**

(54) **RECESSED LIGHTING FIXTURE**

(71) Applicant: **Zumtobel Lighting GmbH**, Lemgo (DE)

(72) Inventor: **Chris Redfern**, Milan (IT)

(**) Term: **14 Years**

(21) Appl. No.: **29/457,572**

(22) Filed: **Jun. 11, 2013**

(30) **Foreign Application Priority Data**

Dec. 20, 2012 (EM) 001 355 283

(51) **LOC (10) Cl.** **26-05**

(52) **U.S. Cl.**
USPC **D26/74**

(58) **Field of Classification Search**
USPC D26/1, 2, 5-7, 16, 24, 26, 28, 36, 46,
D26/50, 51, 55-61, 63, 64, 66-72, 74-85,
D26/93, 104, 105, 107, 108, 113, 118-120,
D26/124, 138, 142; 362/145-148, 153,
362/153.1, 157, 269, 270, 285, 287, 294,
362/296.01, 296.07, 296.08, 310, 311.09,
362/311.1, 311.07, 341, 344, 345, 347, 364,
362/365, 366, 373, 382
See application file for complete search history.

(56) **References Cited**

U.S. PATENT DOCUMENTS

D326,536 S *	5/1992	Gattari	D26/74
D326,537 S *	5/1992	Gattari	D26/74
D573,294 S *	7/2008	Chan et al.	D26/74
D591,894 S *	5/2009	Flank	D26/74
7,575,345 B2 *	8/2009	Gauthier et al.	362/366
D656,263 S *	3/2012	Ogawa et al.	D26/74
D658,802 S *	5/2012	Chen	D26/74
D663,466 S *	7/2012	Rashidi	D26/74
D667,155 S *	9/2012	Rashidi	D26/74
8,262,255 B1 *	9/2012	Rashidi	362/294

8,403,541 B1 *	3/2013	Rashidi	362/294
D687,586 S *	8/2013	Rashidi	D26/74
D687,587 S *	8/2013	Rashidi	D26/74
D687,588 S *	8/2013	Rashidi	D26/74
D691,314 S *	10/2013	Rashidi	D26/74
D695,941 S *	12/2013	Rashidi	D26/74
D696,446 S *	12/2013	Huh	D26/74
2010/0149822 A1 *	6/2010	Cogliano et al.	362/365
2011/0222291 A1 *	9/2011	Peng	362/294
2011/0242826 A1 *	10/2011	Utturkar et al.	362/364
2012/0182744 A1 *	7/2012	Santiago et al.	362/365
2013/0170232 A1 *	7/2013	Park et al.	362/364
2013/0322062 A1 *	12/2013	Danesh	362/364

* cited by examiner

Primary Examiner — Garth Rademaker

Assistant Examiner — Llorellys Martinez-Rivera

(74) *Attorney, Agent, or Firm* — Marshall, Gerstein & Borun LLP

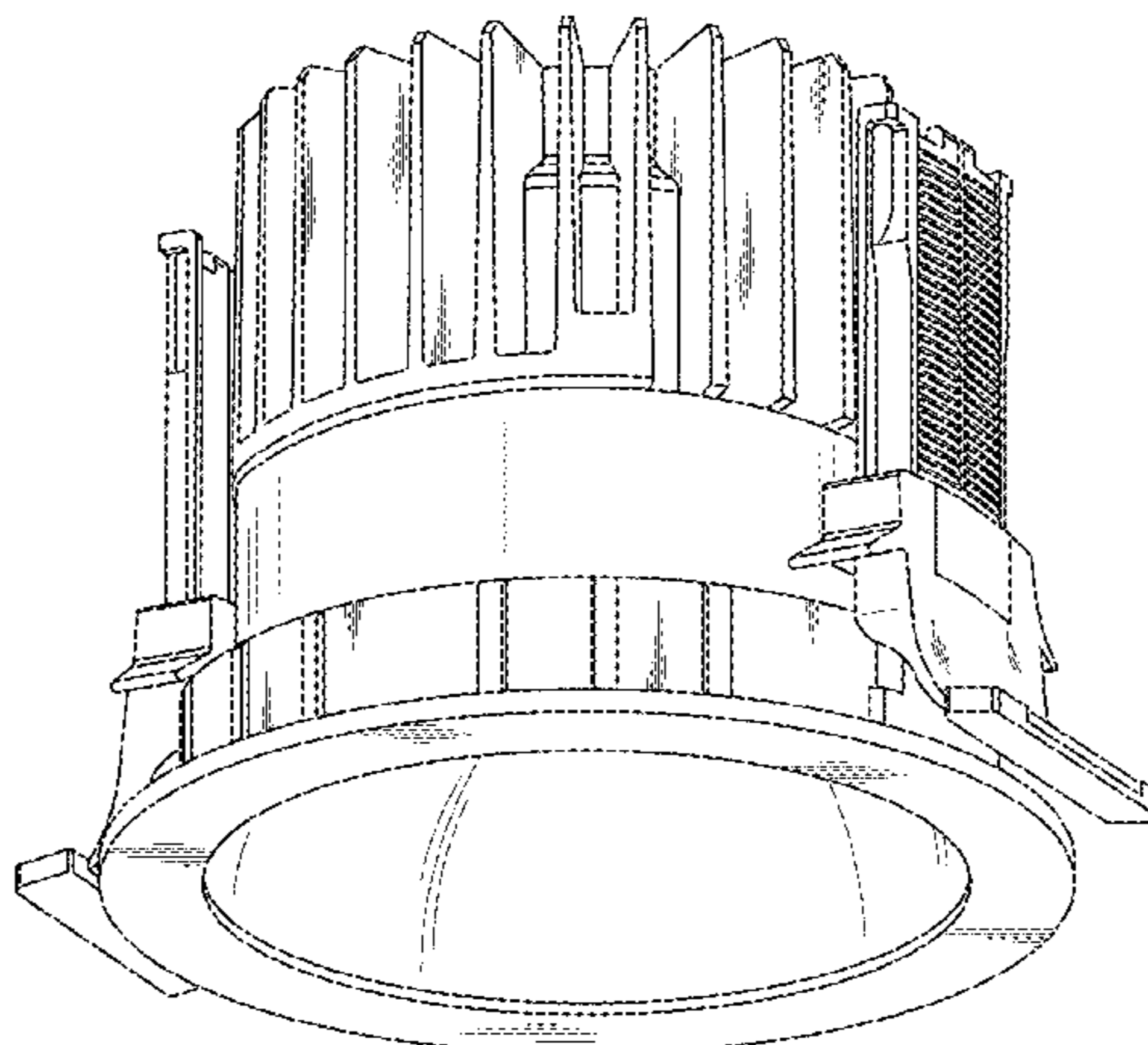
(57) **CLAIM**

The ornamental design for a recessed lighting fixture, as shown and described.

DESCRIPTION

FIG. 1 is a front, right, bottom perspective view of a recessed lighting fixture showing our new design.
FIG. 2 is a back elevation view of the recessed lighting fixture.
FIG. 3 is a front elevation view of the recessed lighting fixture.
FIG. 4 is a right-side elevation view of the recessed lighting fixture.
FIG. 5 is a left-side elevation view of the recessed lighting fixture.
FIG. 6 is a bottom plan view of the recessed lighting fixture; and,
FIG. 7 is a top plan view of the recessed lighting fixture.
The broken lines in the drawings represent portions of the recessed lighting fixture which form no part of the claimed design.

1 Claim, 7 Drawing Sheets



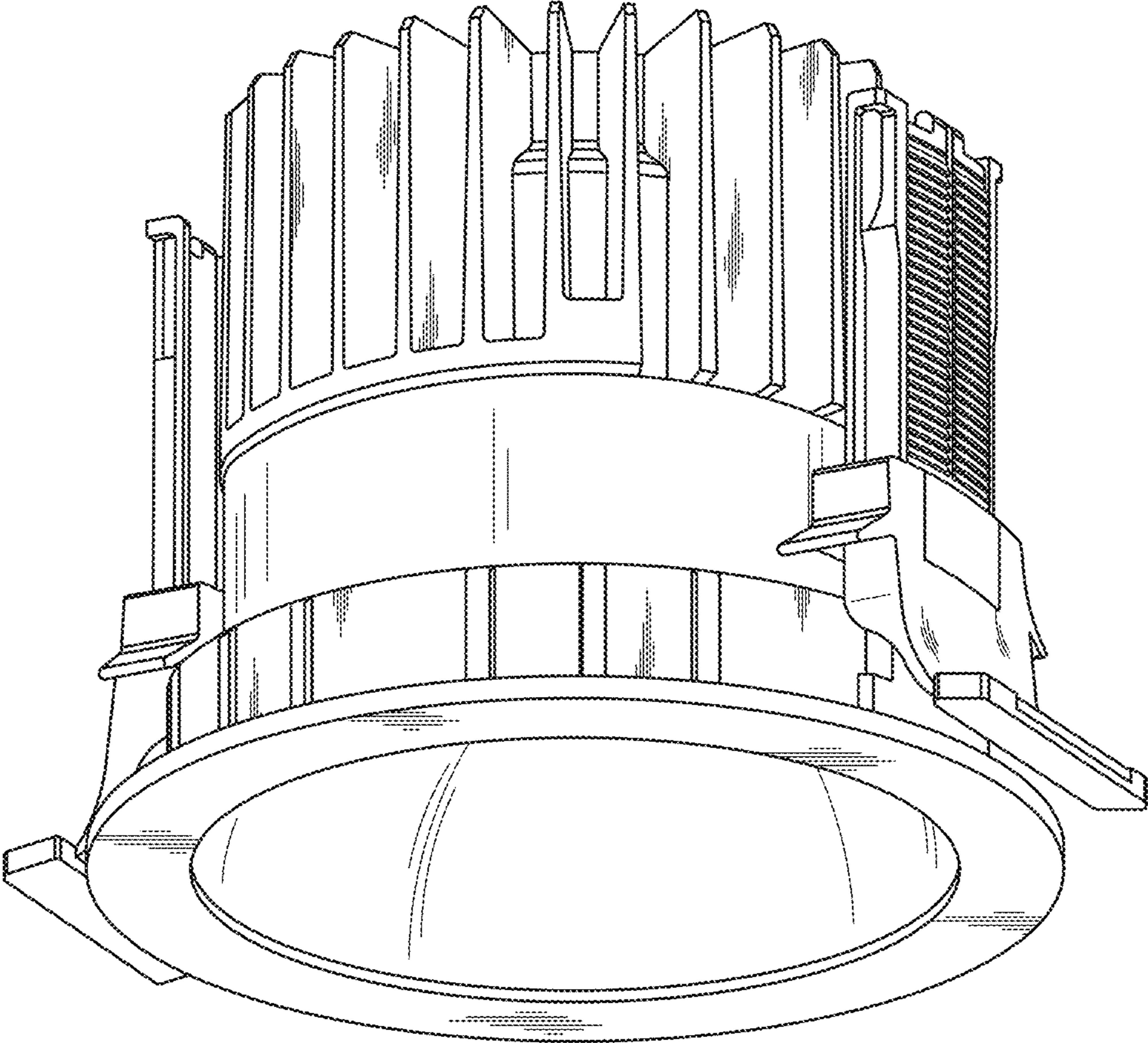


Fig. 1

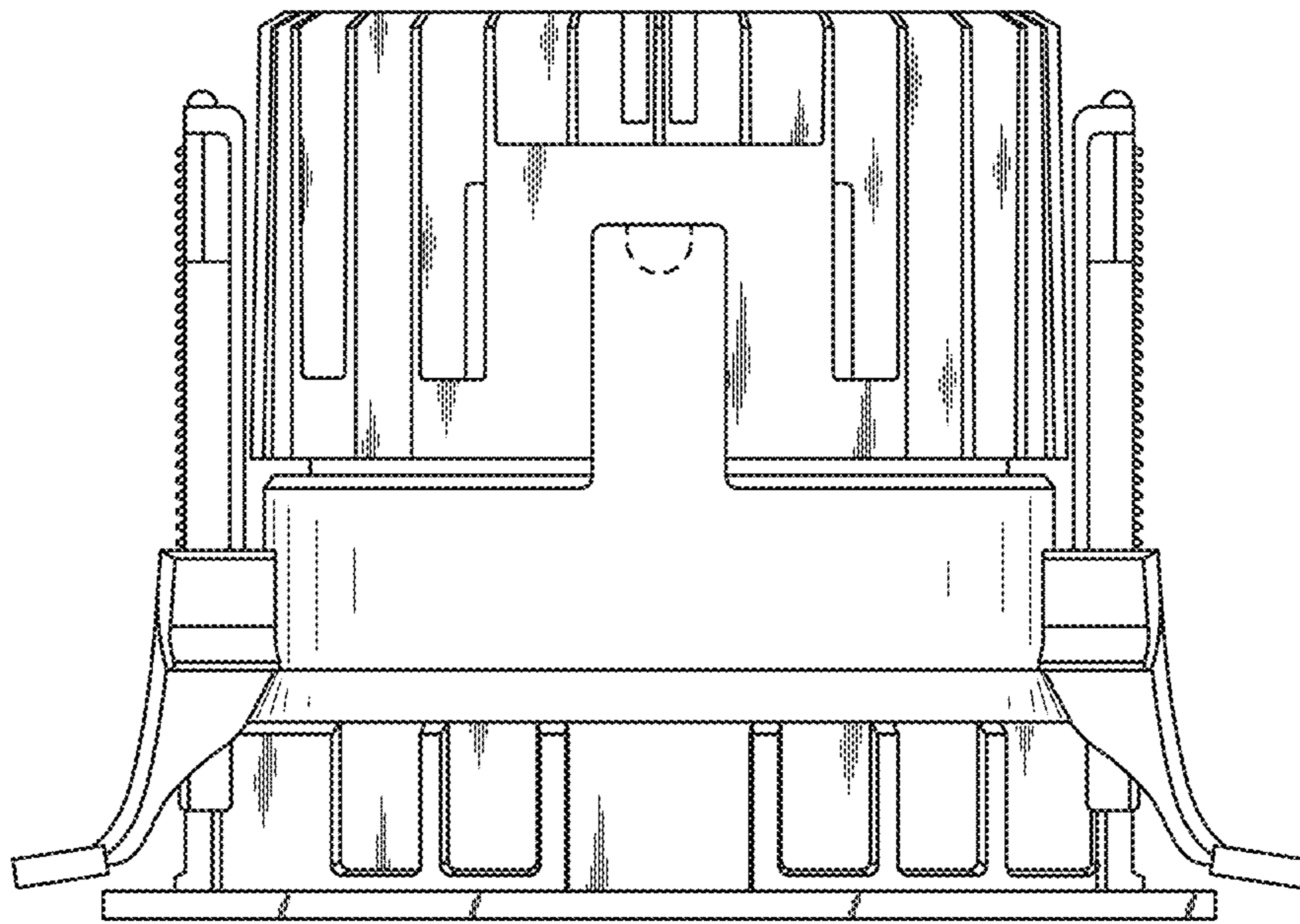


Fig. 2

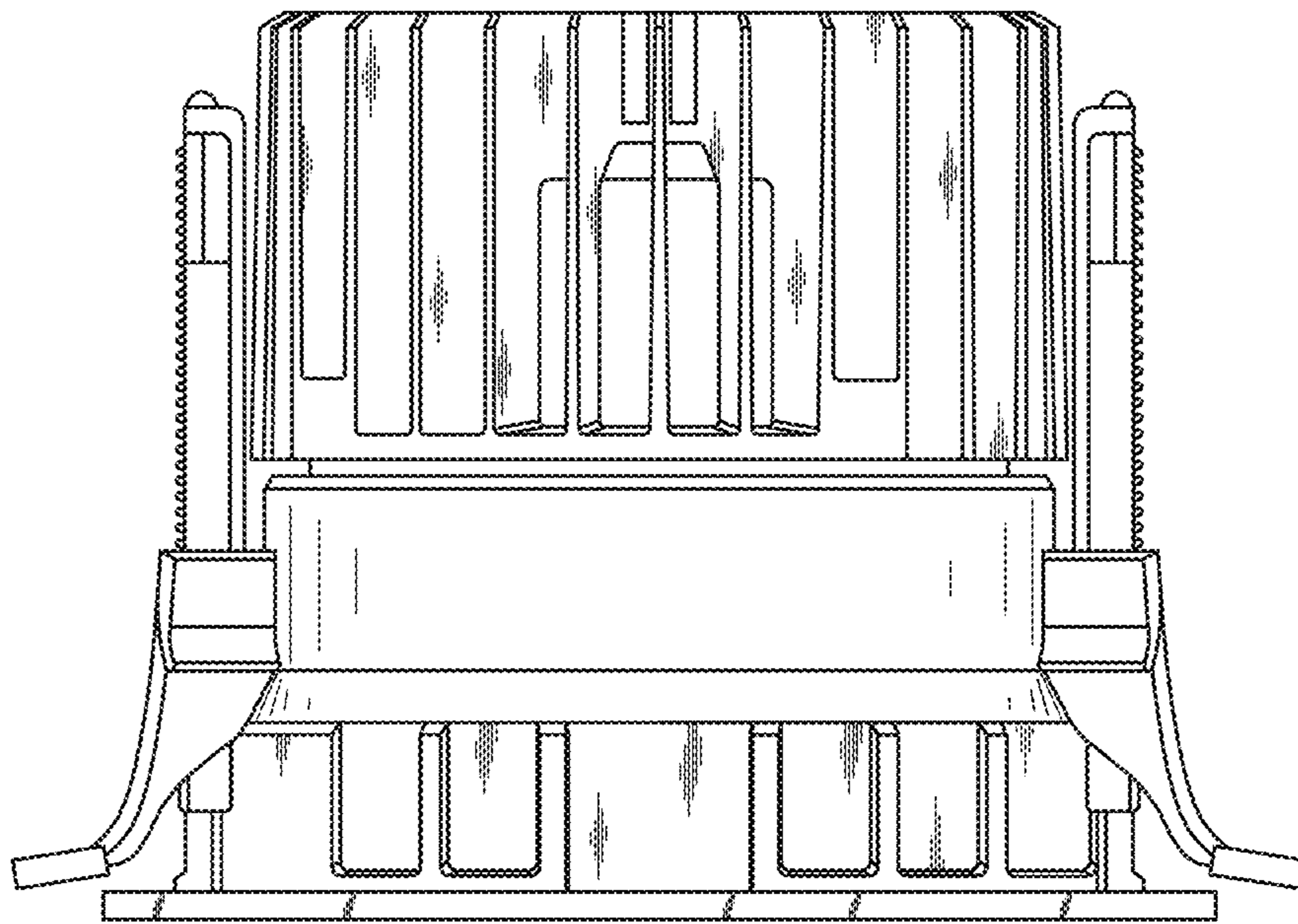


Fig. 3

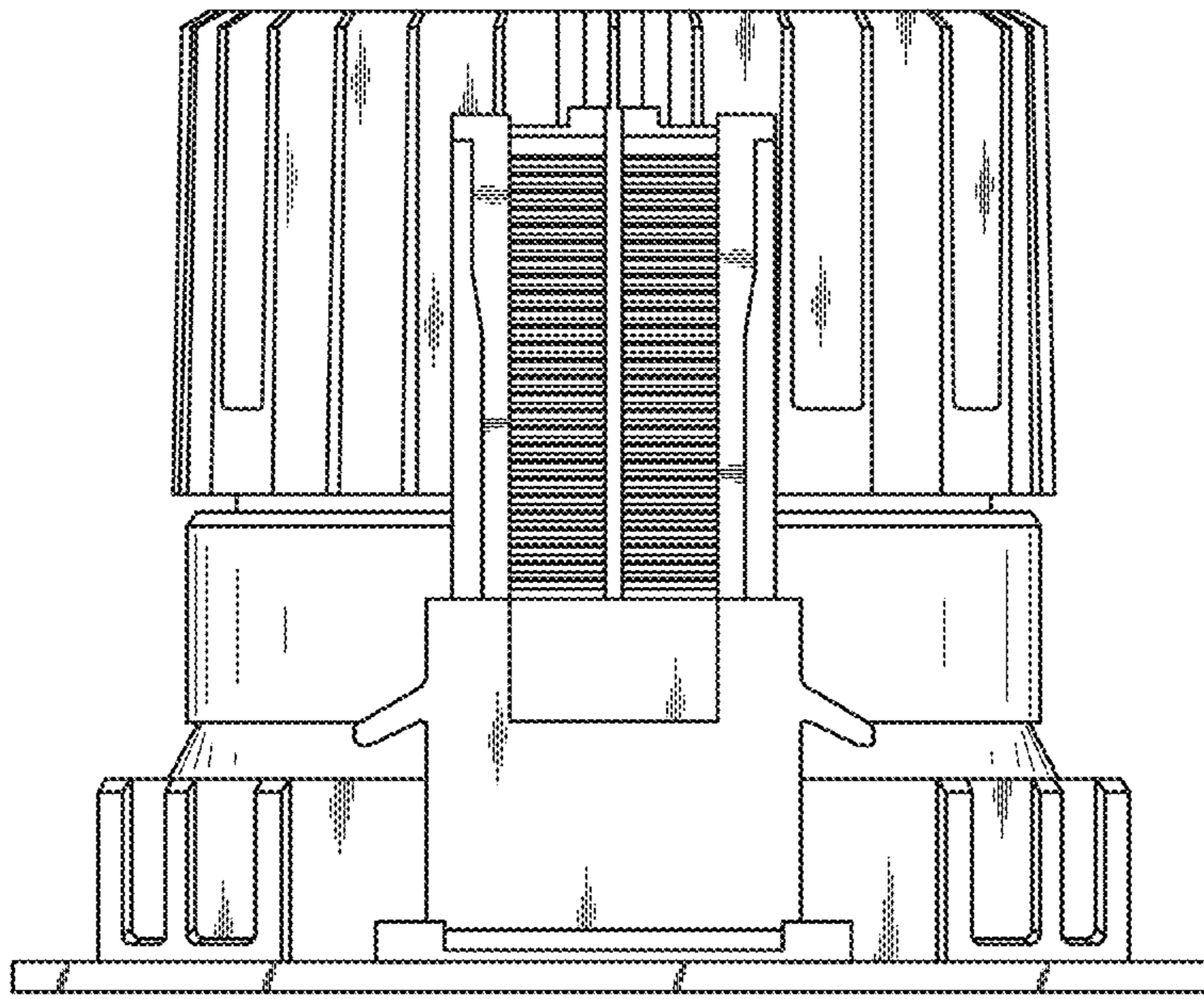


Fig. 4

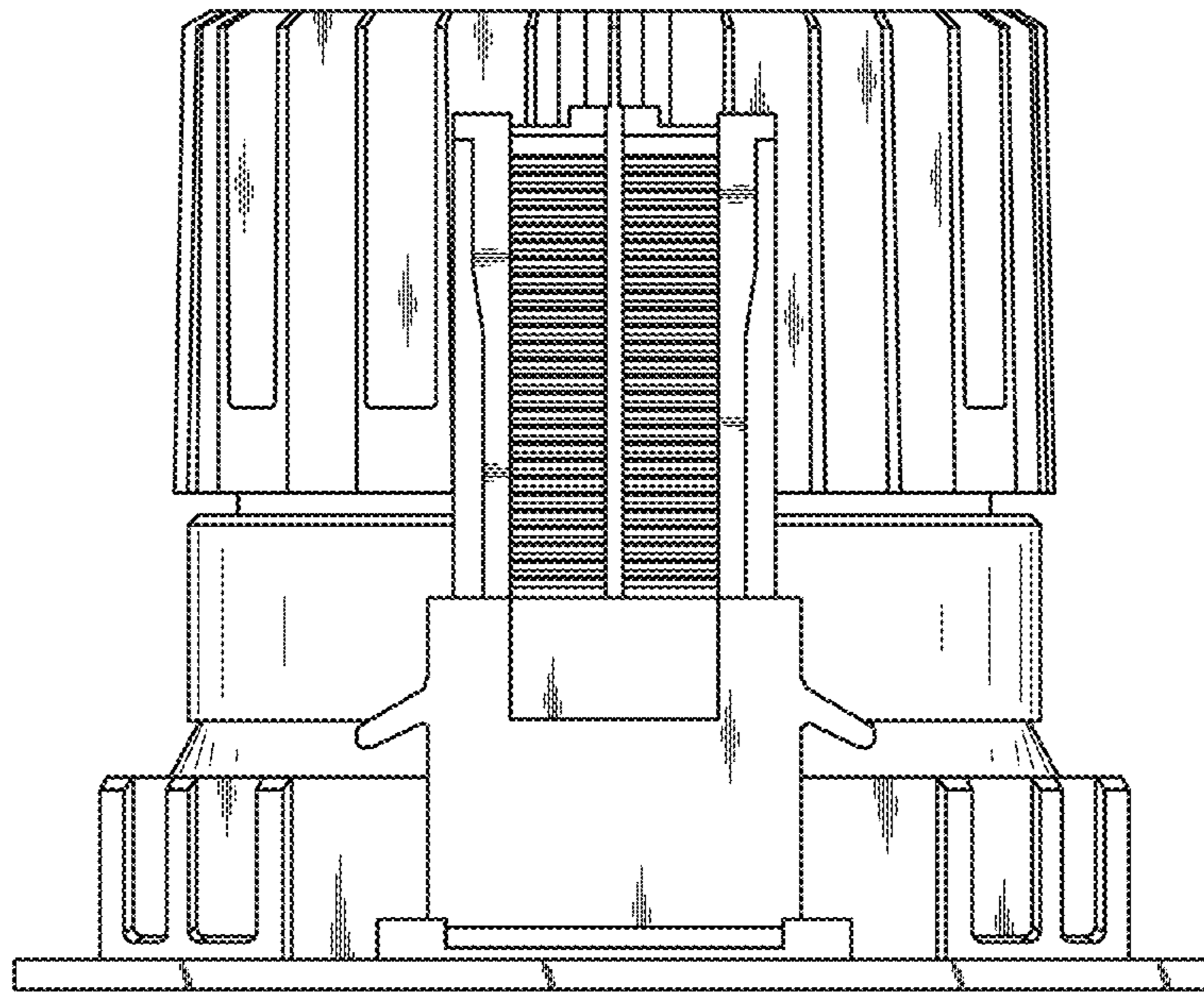


Fig. 5

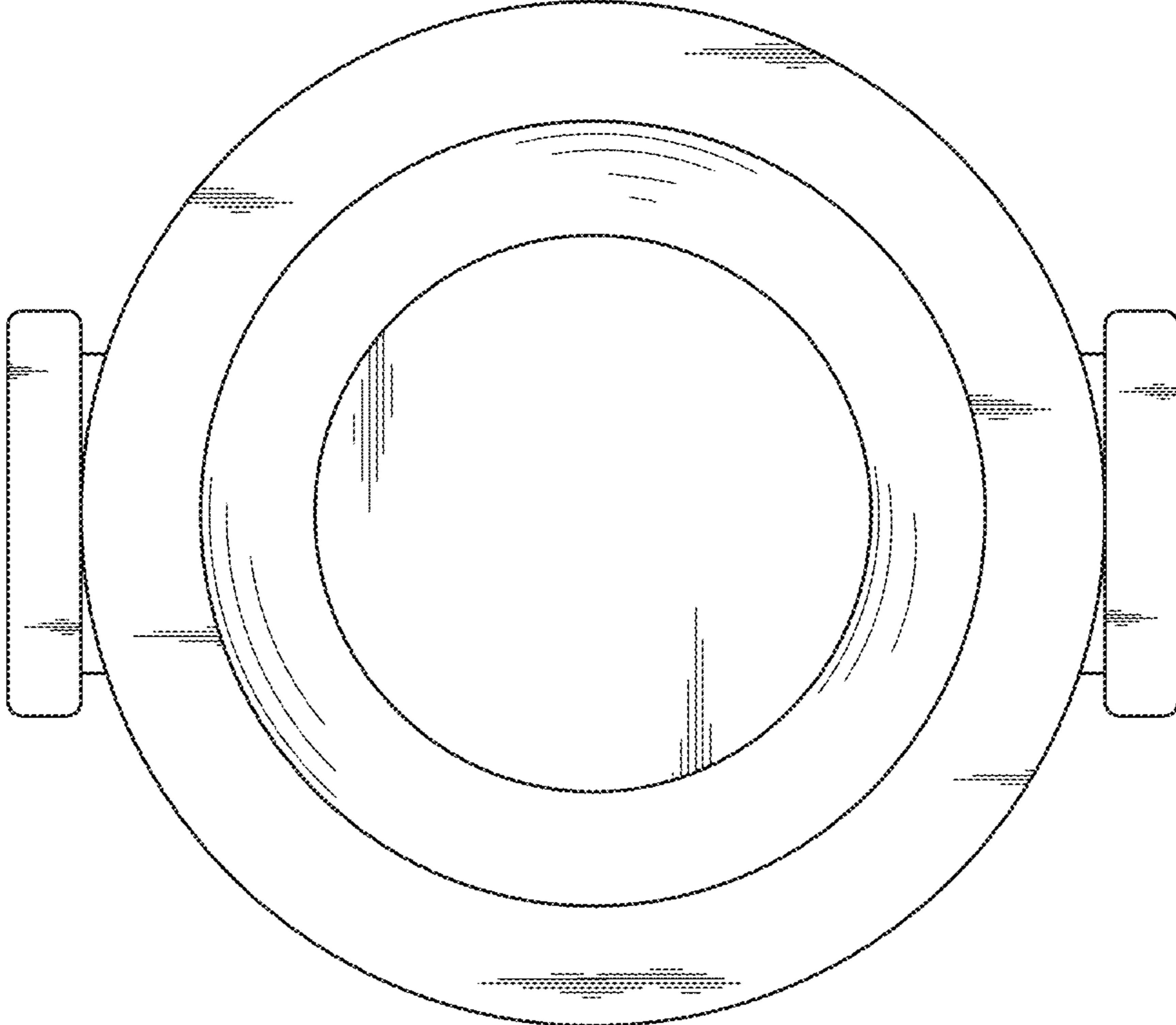


Fig. 6

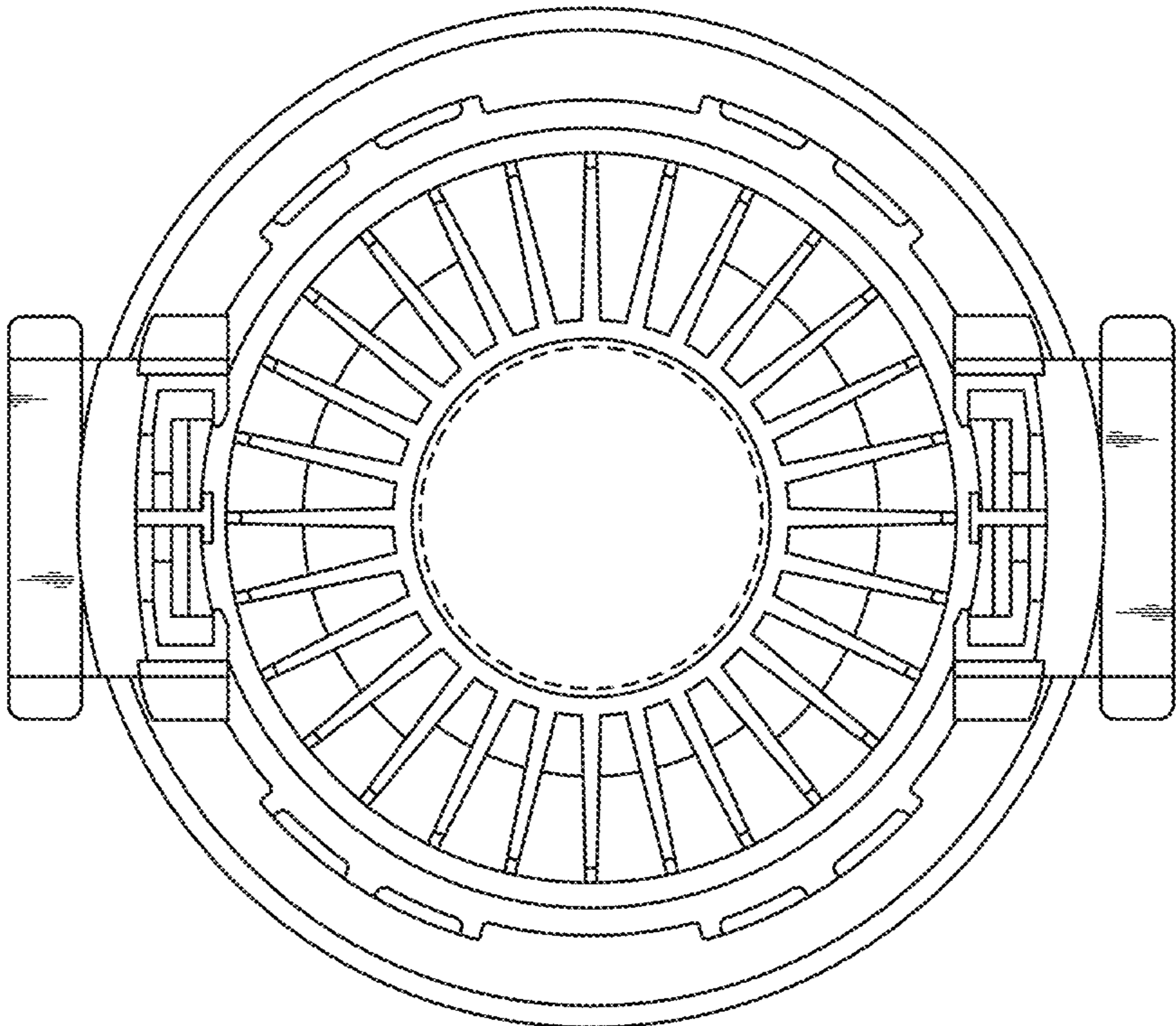


Fig. 7