



US00D726948S

(12) **United States Design Patent**
Maxik et al.

(10) **Patent No.:** **US D726,948 S**

(45) **Date of Patent:** **** Apr. 14, 2015**

(54) **SOLAR ROADWAY LUMINAIRE**

(71) Applicant: **Lighting Science Group Corporation**,
Satellite Beach, FL (US)

(72) Inventors: **Fredric S. Maxik**, Cocoa Beach, FL
(US); **David E. Bartine**, Cocoa, FL
(US); **Mark Andrew Oostdyk**, Cape
Canaveral, FL (US); **Addy S. Widjaja**,
Palm Bay, FL (US); **Ran Zhou**,
Rockledge, FL (US); **Matthew Regan**,
Melbourne, FL (US); **Raymond
Reynolds**, Satellite Beach, FL (US)

(73) Assignee: **Lighting Science Group Corporation**,
Melbourne, FL (US)

(**) Term: **14 Years**

(21) Appl. No.: **29/492,861**

(22) Filed: **Jun. 3, 2014**

(51) **LOC (10) Cl.** **26-05**

(52) **U.S. Cl.**
USPC **D26/71**

(58) **Field of Classification Search**
USPC D26/67-71, 92; 362/249.01-249.06,
362/294, 373, 431, 183
See application file for complete search history.

(56) **References Cited**

U.S. PATENT DOCUMENTS

5,149,188	A *	9/1992	Robbins	362/183
6,942,361	B1 *	9/2005	Kishimura et al.	362/240
D522,163	S *	5/2006	Begasse	D26/71
D598,156	S *	8/2009	Xiao et al.	D26/69
D608,926	S *	1/2010	Xiao et al.	D26/71
D610,733	S *	2/2010	Chang	D26/71

D614,318	S *	4/2010	Lodhie	D26/1
D622,887	S *	8/2010	Lewis	D26/71
D622,888	S *	8/2010	Chakravarty et al.	D26/71
D632,416	S *	2/2011	Wright et al.	D26/71
D672,078	S *	12/2012	Lui et al.	D26/71
D684,285	S *	6/2013	Maxik et al.	D26/71
2009/0186745	A1 *	7/2009	Lewiston	482/2

* cited by examiner

Primary Examiner — Clare E Heflin

(74) *Attorney, Agent, or Firm* — Mark R. Malek; Widerman
Malek, PL

(57) **CLAIM**

The ornamental design for a solar roadway luminaire, as
shown and described.

DESCRIPTION

FIG. 1 is a perspective view of a solar roadway luminaire
according to an embodiment of the present invention.

FIG. 2 is front elevation view of the solar roadway luminaire
of FIG. 1.

FIG. 3 is rear elevation view of the solar roadway luminaire of
FIG. 1.

FIG. 4 is right side elevation view of the solar roadway lumi-
naire of FIG. 1.

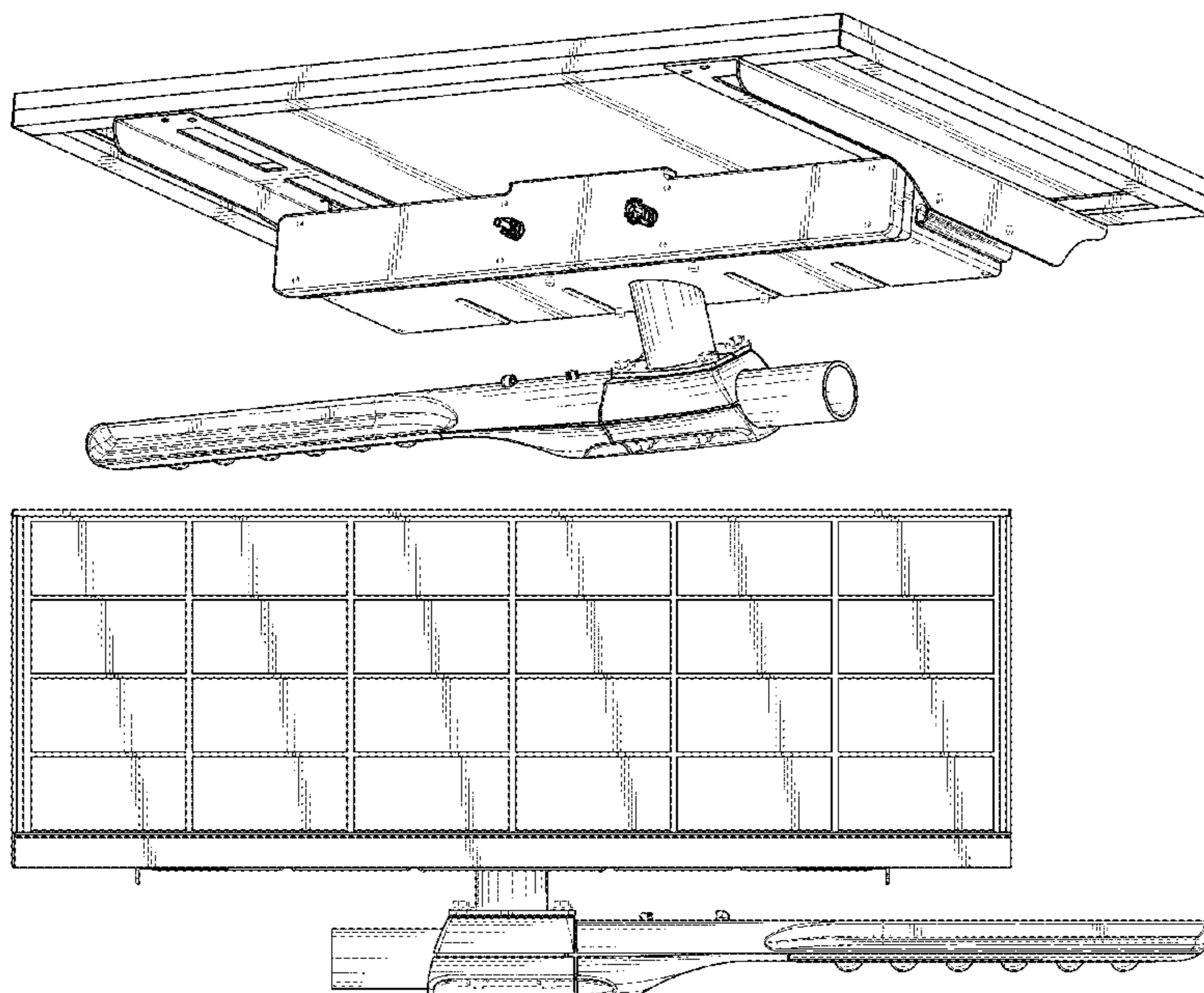
FIG. 5 is left side elevation view of the solar roadway lumi-
naire of FIG. 1.

FIG. 6 is bottom plan view of the solar roadway luminaire of
FIG. 1; and,

FIG. 7 is a top plan view of the solar roadway luminaire of
FIG. 1.

The broken lines depict elements of the solar roadway lumi-
naire that do not form a claimed feature of the present inven-
tion.

1 Claim, 7 Drawing Sheets



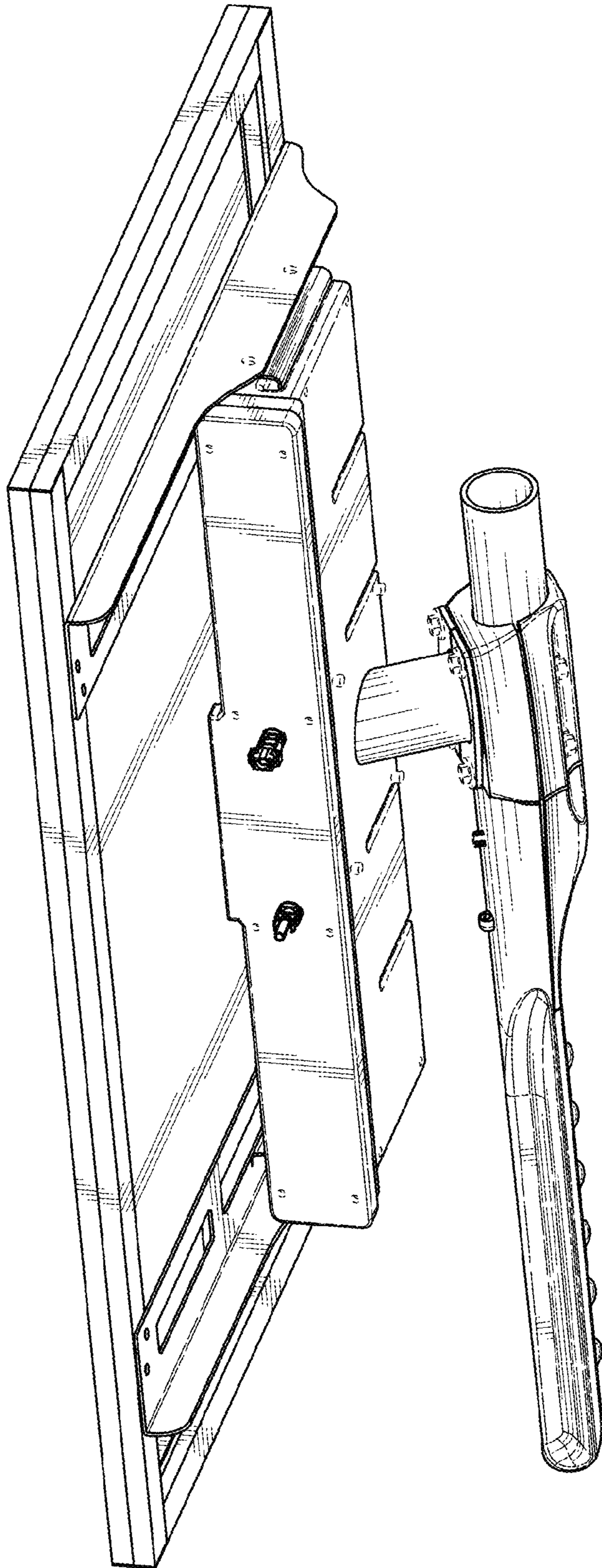


FIG. 1

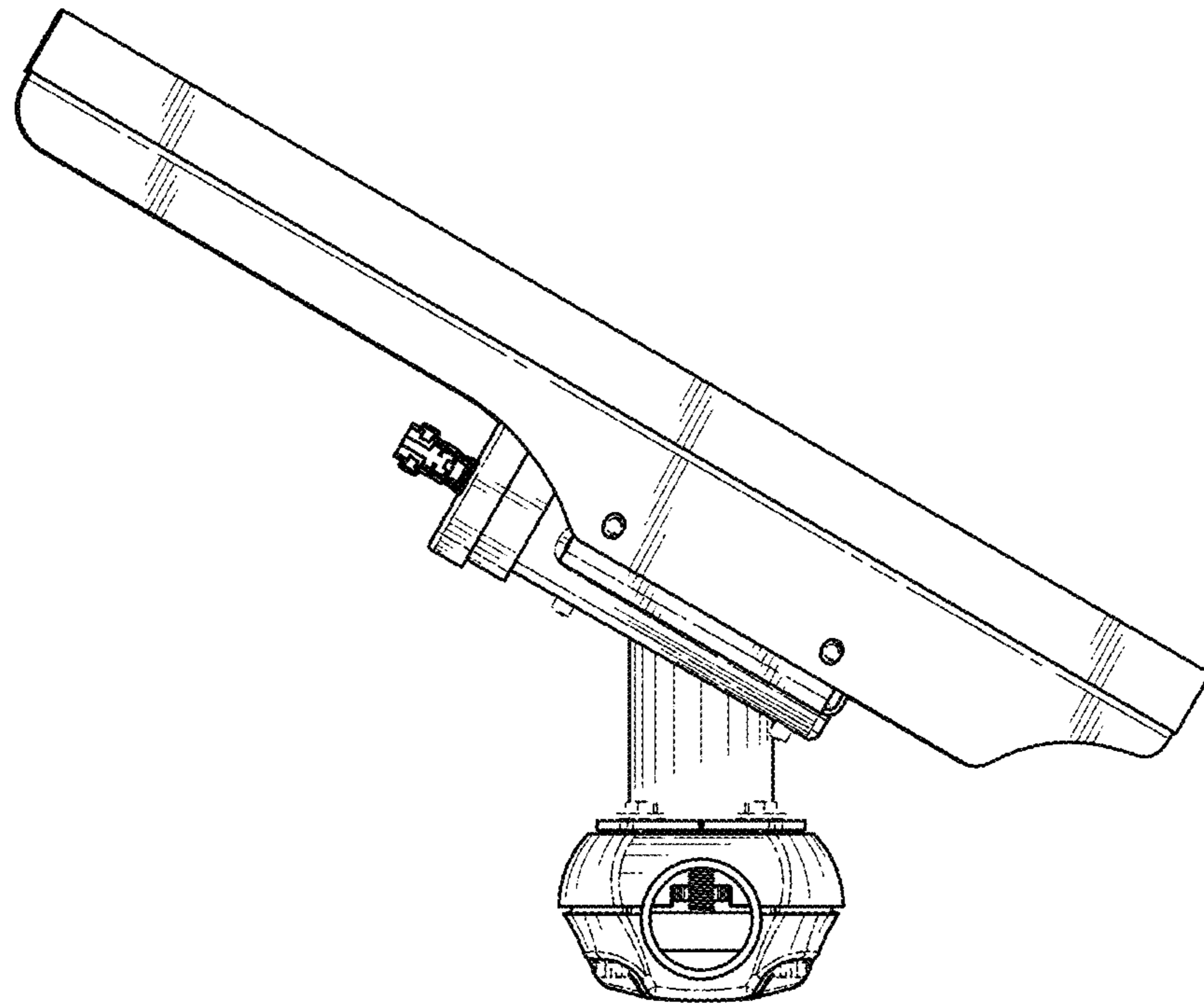


FIG. 2

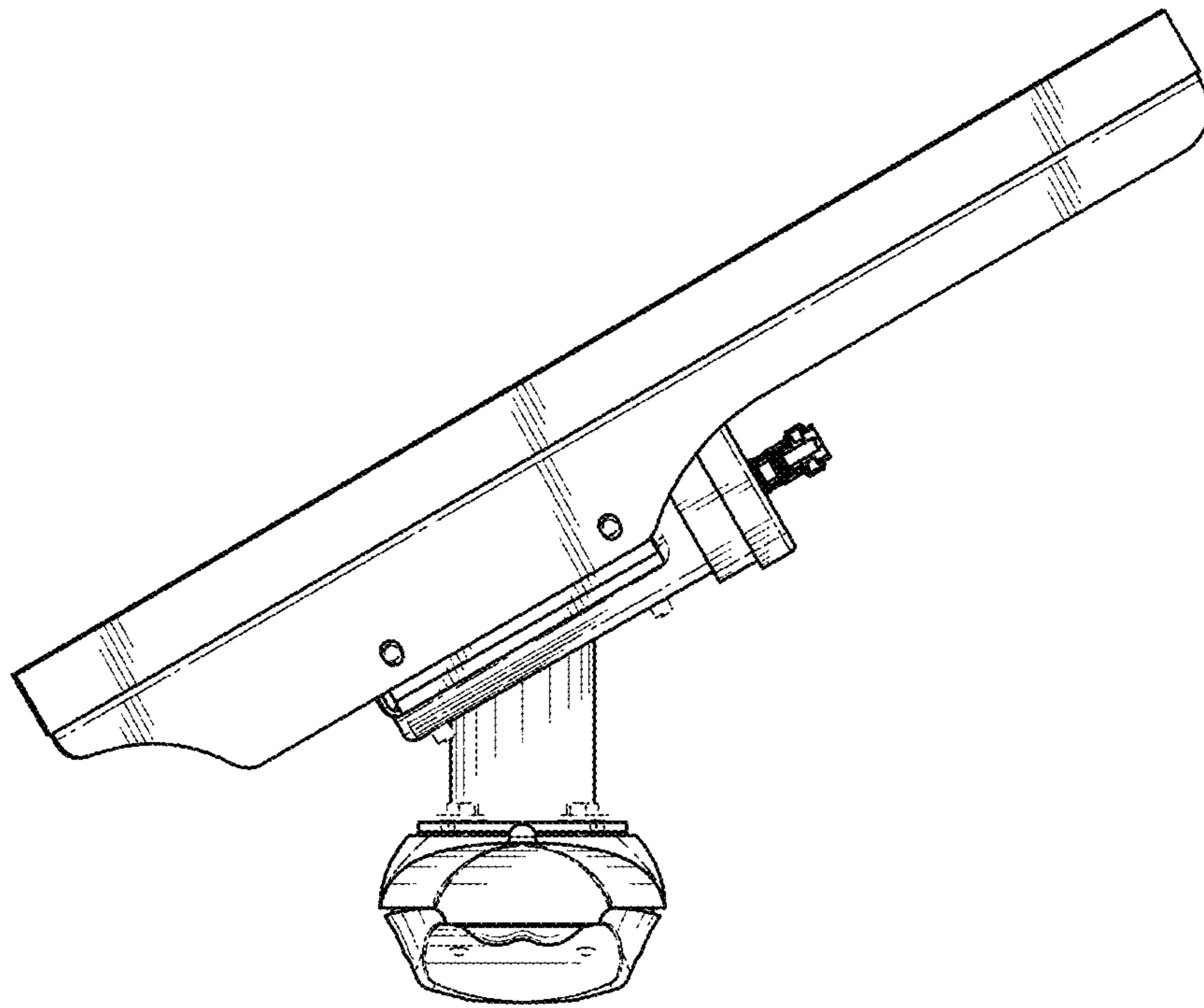


FIG. 3

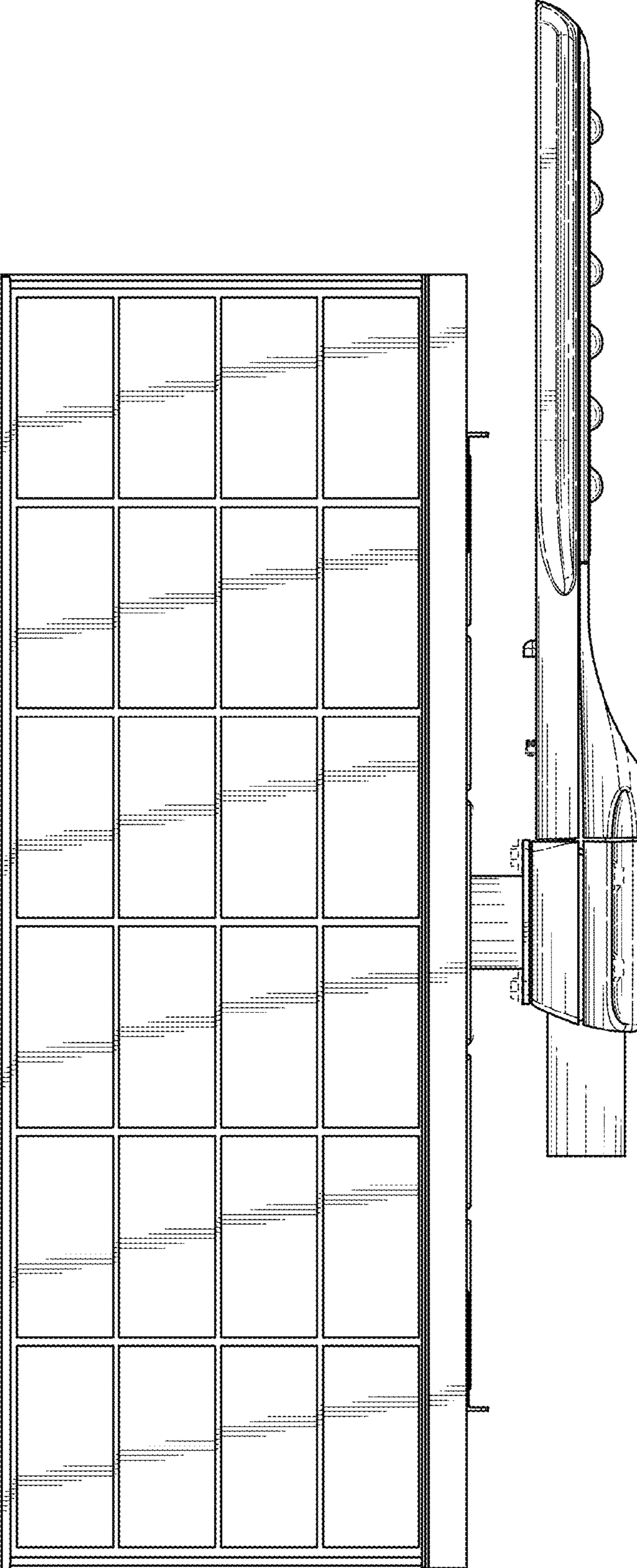


FIG. 4

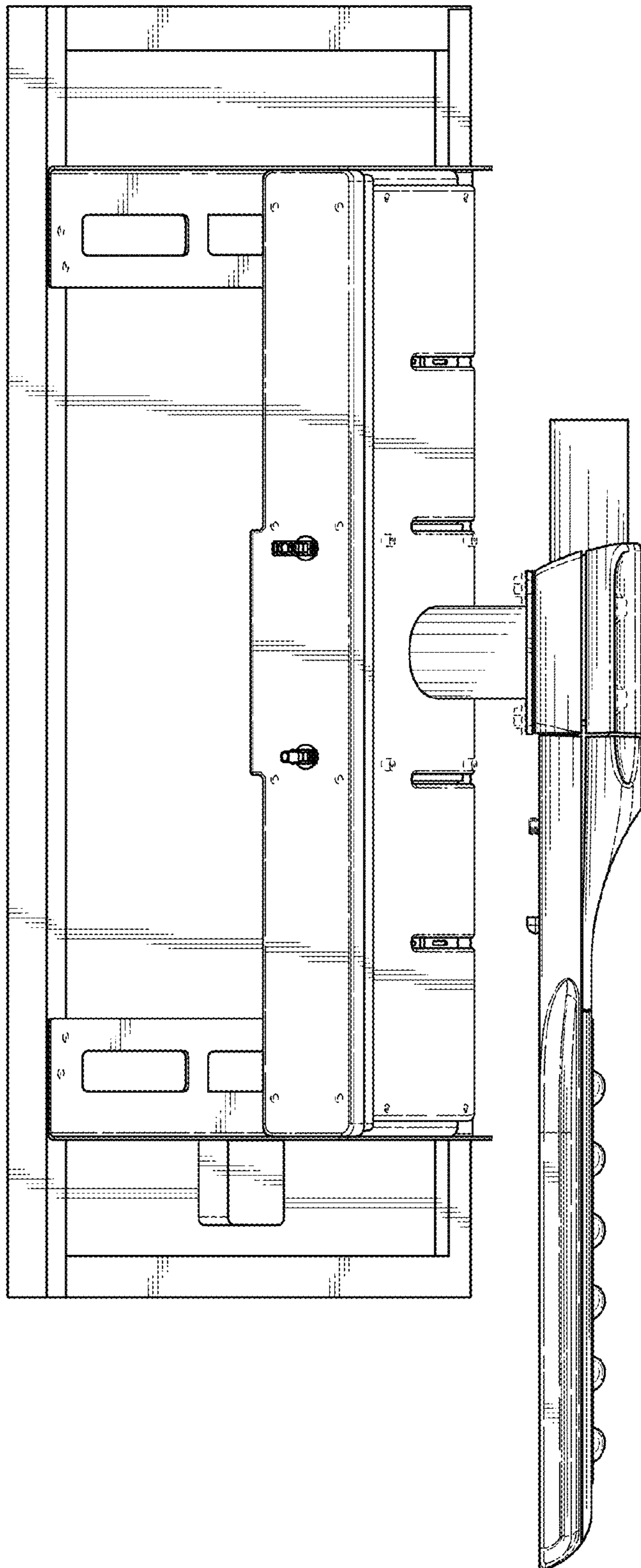


FIG. 5

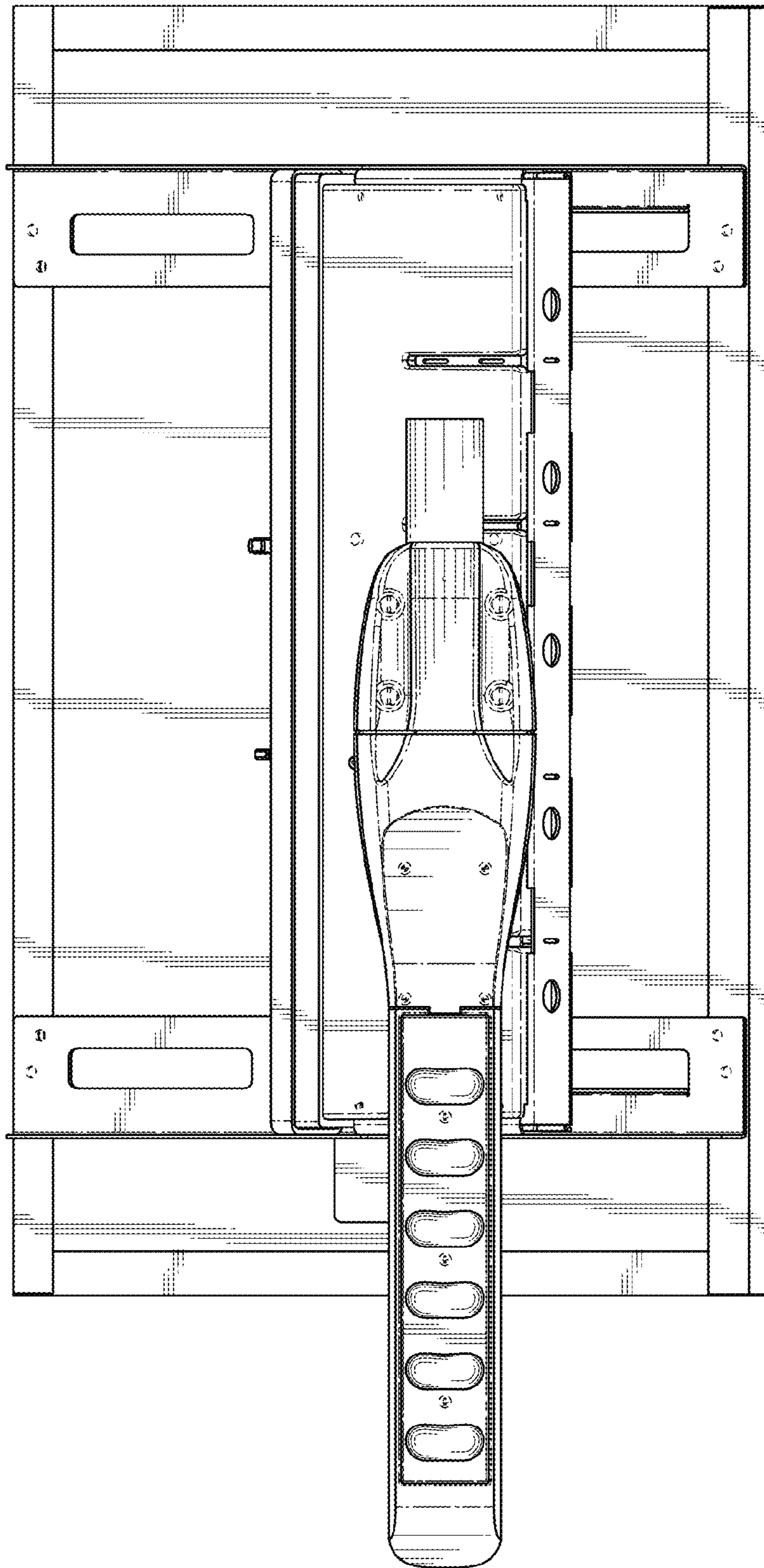


FIG. 6

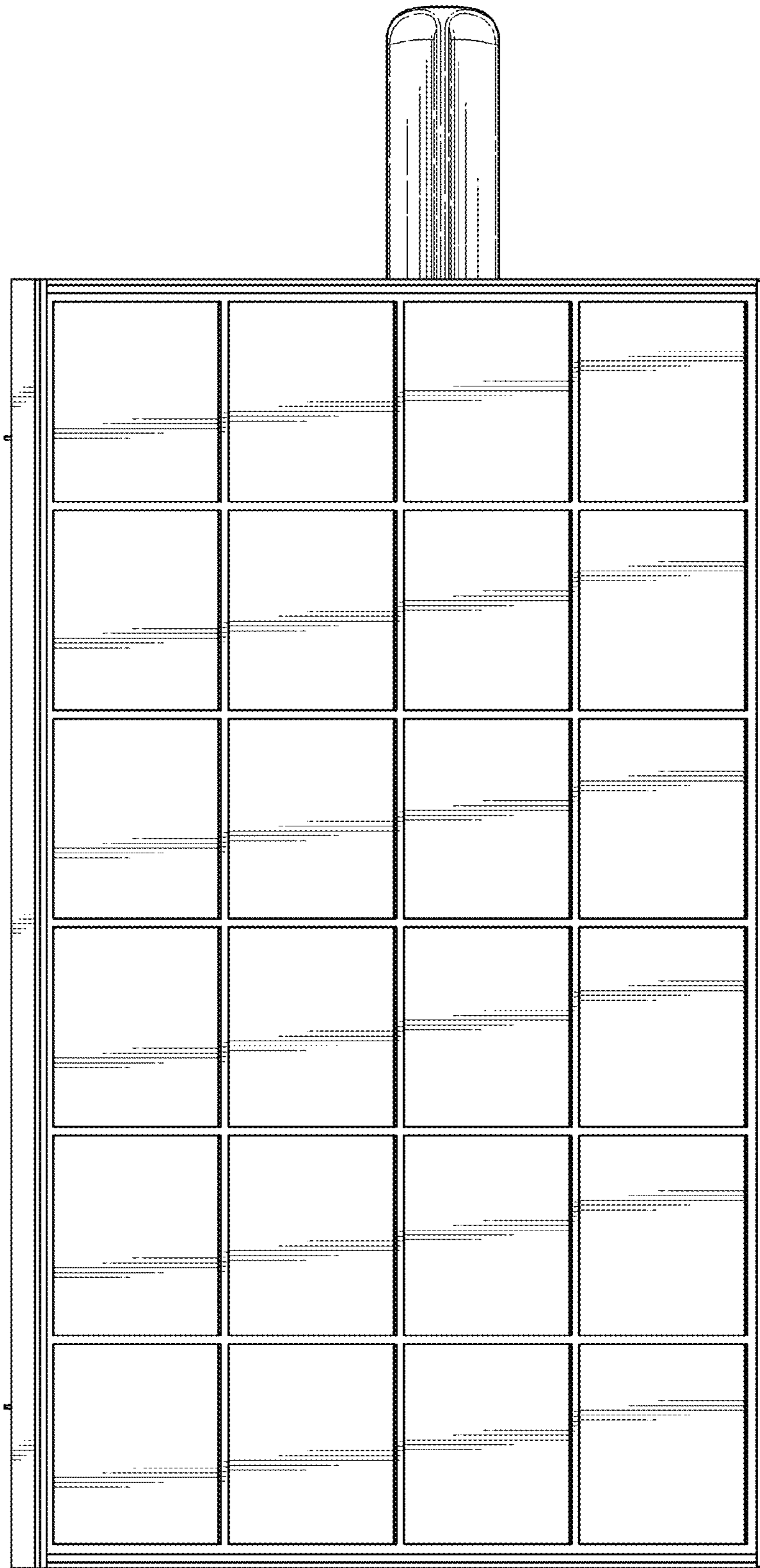


FIG. 7