



US00D726947S

(12) **United States Design Patent**
Boyer et al.

(10) **Patent No.:** **US D726,947 S**
(45) **Date of Patent:** **** Apr. 14, 2015**

- (54) **LIGHTING FIXTURE**
- (71) Applicant: **LSI Industries, Inc.**, Cincinnati, OH (US)
- (72) Inventors: **John D. Boyer**, Lebanon, OH (US); **Earl G. Boertlein, II**, Cleves, OH (US); **Larry A. Akers**, Clarksville, OH (US); **James P. Sferra**, Goshen, OH (US); **James G. Vanden Eynden**, Hamilton, OH (US)
- (73) Assignee: **LSI Industries, Inc.**, Cincinnati, OH (US)
- (**) Term: **14 Years**
- (21) Appl. No.: **29/488,287**
- (22) Filed: **Apr. 17, 2014**
- (51) **LOC (10) Cl.** **26-05**
- (52) **U.S. Cl.**
USPC **D26/71**
- (58) **Field of Classification Search**
CPC F21V 15/01; F21V 17/107; F21V 19/02; F21S 8/033; F21S 8/043; F21S 8/085; F21S 8/086; F21S 8/088; F21W 2131/103; F21W 2131/107
USPC D26/69, 70, 71, 72, 85, 92, 118; 362/431, 432
See application file for complete search history.

D676,589	S	*	2/2013	Elam	D26/71
D691,759	S	*	10/2013	Boyer et al.	D26/71
D694,449	S	*	11/2013	Walker et al.	D26/63
2001/0033487	A1	*	10/2001	Crelin	362/147
2008/0002399	A1	*	1/2008	Villard et al.	362/184
2008/0137327	A1	*	6/2008	Hodulik	362/183
2008/0285265	A1	*	11/2008	Boissevain	362/218
2009/0103288	A1	*	4/2009	Boyer et al.	362/153.1
2011/0084629	A1	*	4/2011	Pini	315/312
2013/0003378	A1	*	1/2013	Dube et al.	362/249.03
2013/0148360	A1	*	6/2013	Jeon et al.	362/294
2014/0085909	A1	*	3/2014	Ahn	362/382
2014/0218944	A1	*	8/2014	Hobson et al.	362/418
2014/0254156	A1	*	9/2014	Hsu et al.	362/249.1

* cited by examiner

Primary Examiner — Clare E Heflin

(74) *Attorney, Agent, or Firm* — McDermott Will & Emery LLP

(57) **CLAIM**

The ornamental design for a lighting fixture, as shown and described.

DESCRIPTION

FIG. 1 is a perspective view of the design of the present disclosure;

FIG. 2 is a top view of the design depicted in FIG. 1;

FIG. 3 is a bottom view of the design depicted in FIG. 1;

FIG. 4 is a left side view of the design depicted in FIG. 1;

FIG. 5 is a right side view of the design depicted in FIG. 1;

FIG. 6 is a rear side view of the design depicted in FIG. 1; and,

FIG. 7 is a front side view of the design depicted in FIG. 1.

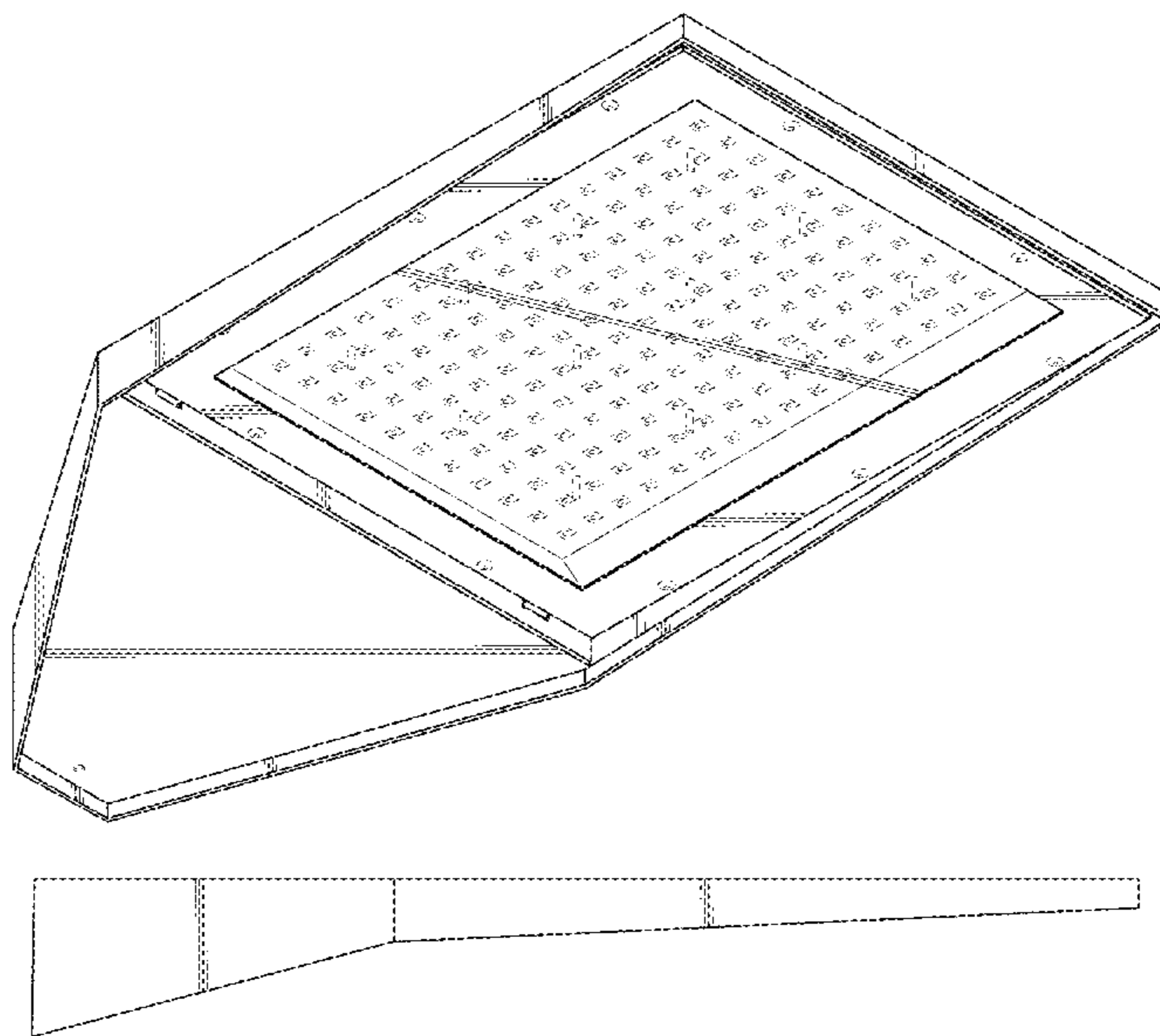
Those portions of the present invention which are presented in phantom illustrate the environment of the design only and form no part of the claimed design. Moreover, the shading presented in the accompanying drawings is provided merely to highlight the contour of the invention and is not intended to be illustrative of texture or gloss.

1 Claim, 5 Drawing Sheets

(56) **References Cited**

U.S. PATENT DOCUMENTS

D228,667	S	*	10/1973	Anderson	D26/71
D598,160	S	*	8/2009	Boyer et al.	D26/138
D598,161	S	*	8/2009	Boyer et al.	D26/138
D645,190	S	*	9/2011	Van Klinken et al.	D26/71
D672,491	S	*	12/2012	Shin et al.	D26/71



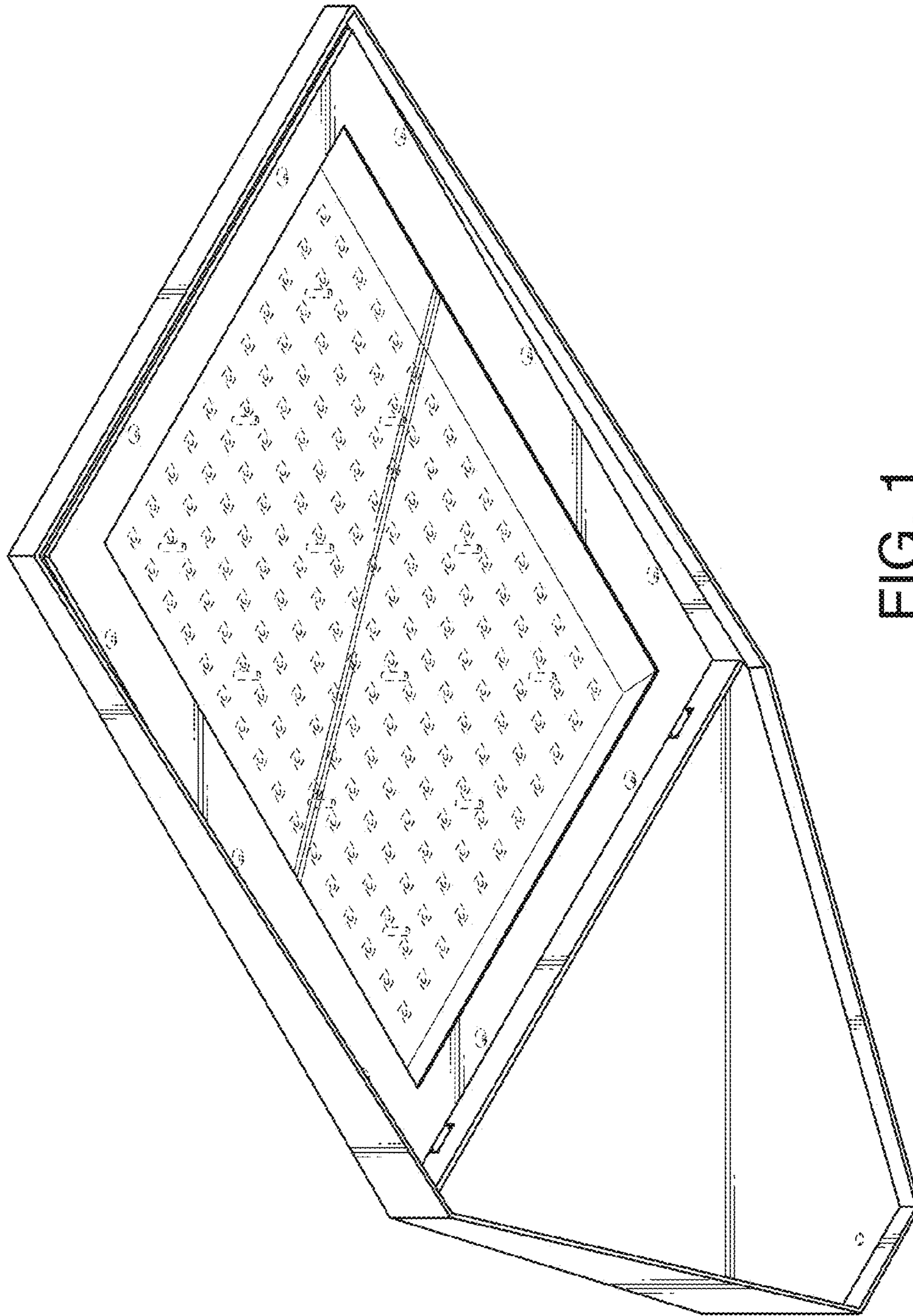


FIG. 1

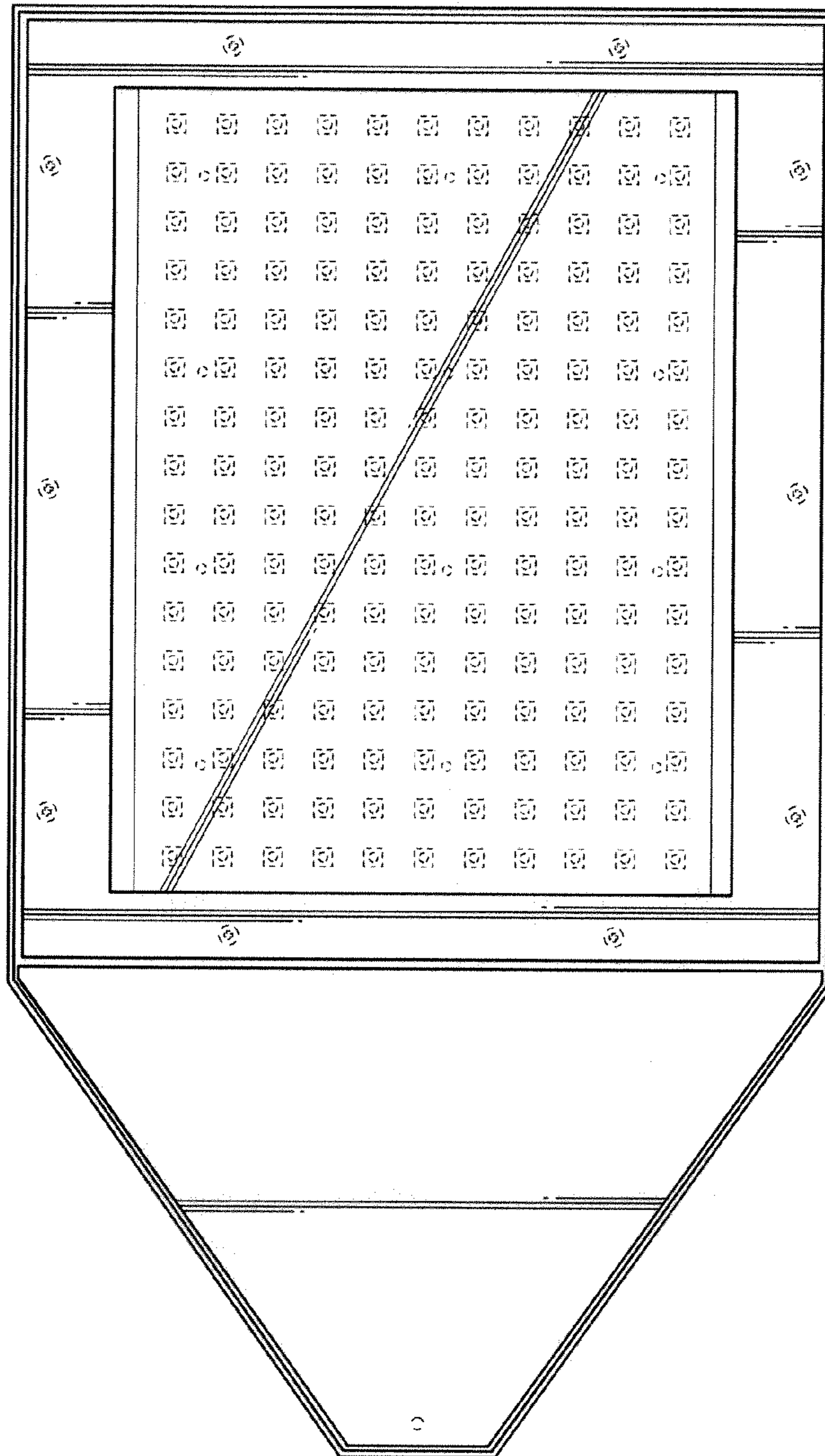


FIG. 2

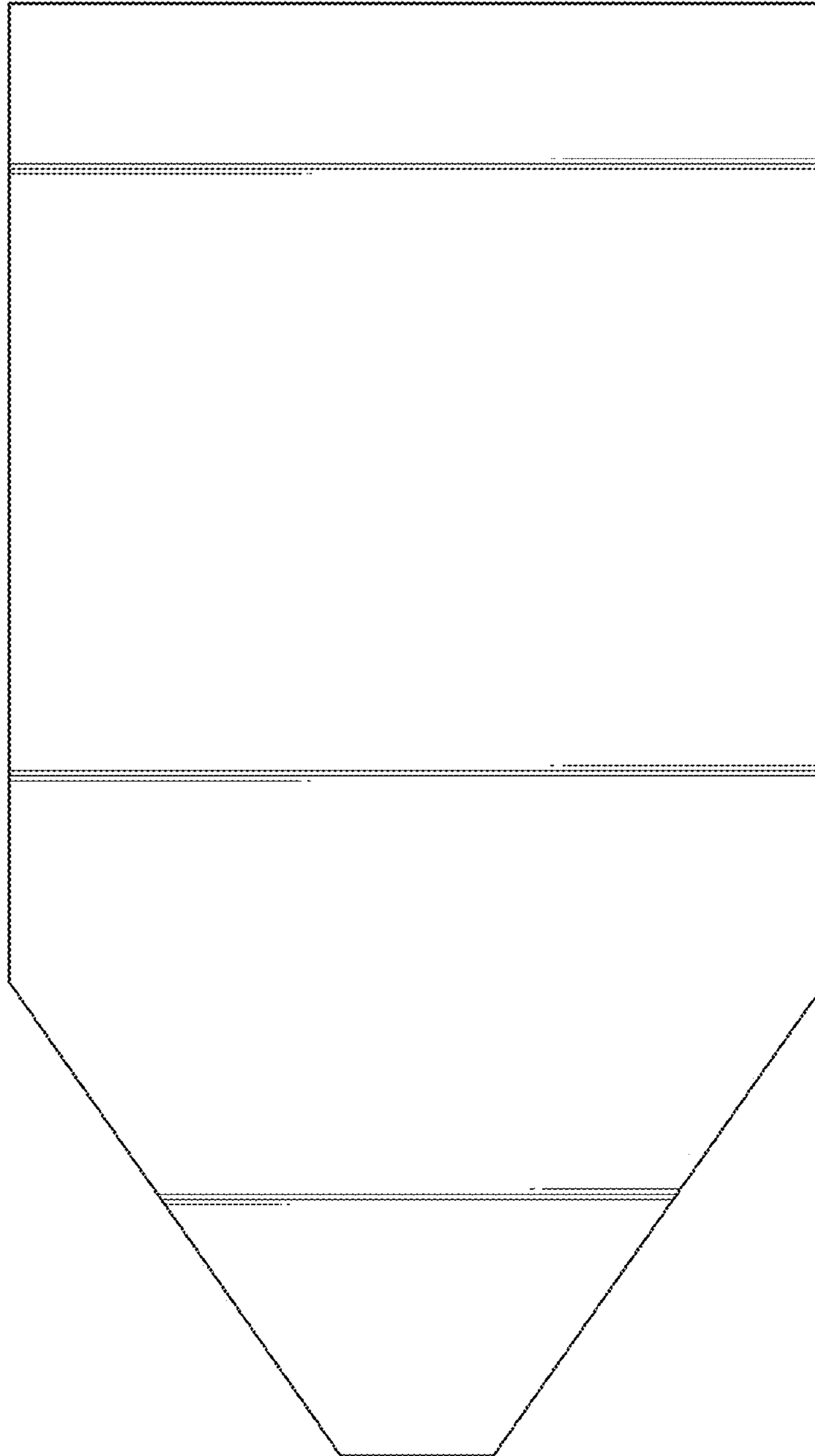


FIG. 3

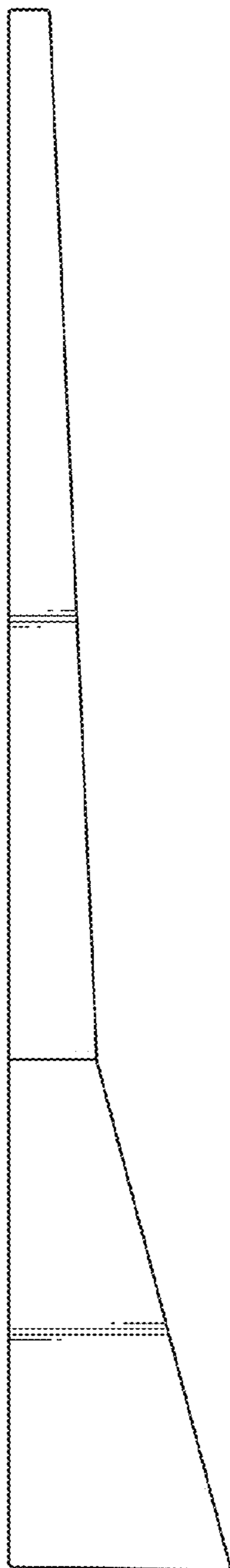


FIG. 4

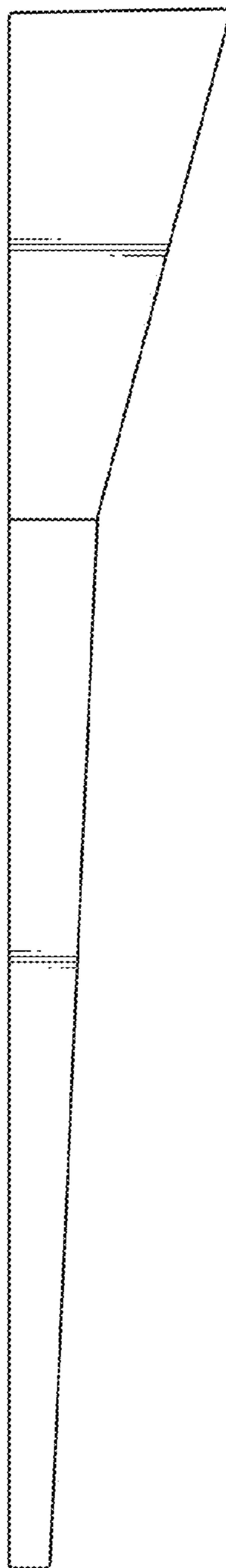


FIG. 5

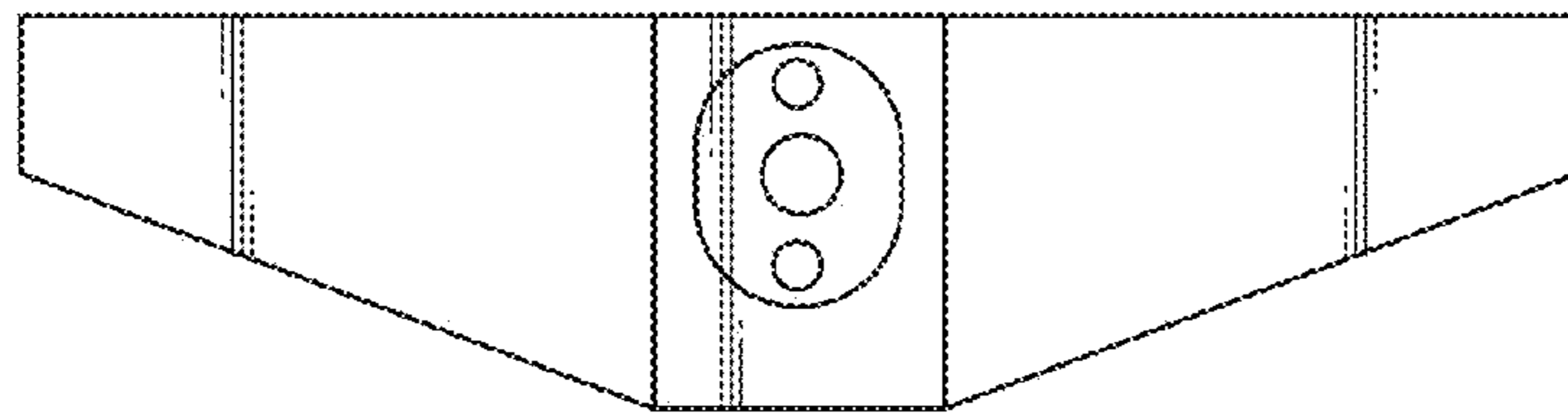


FIG. 6

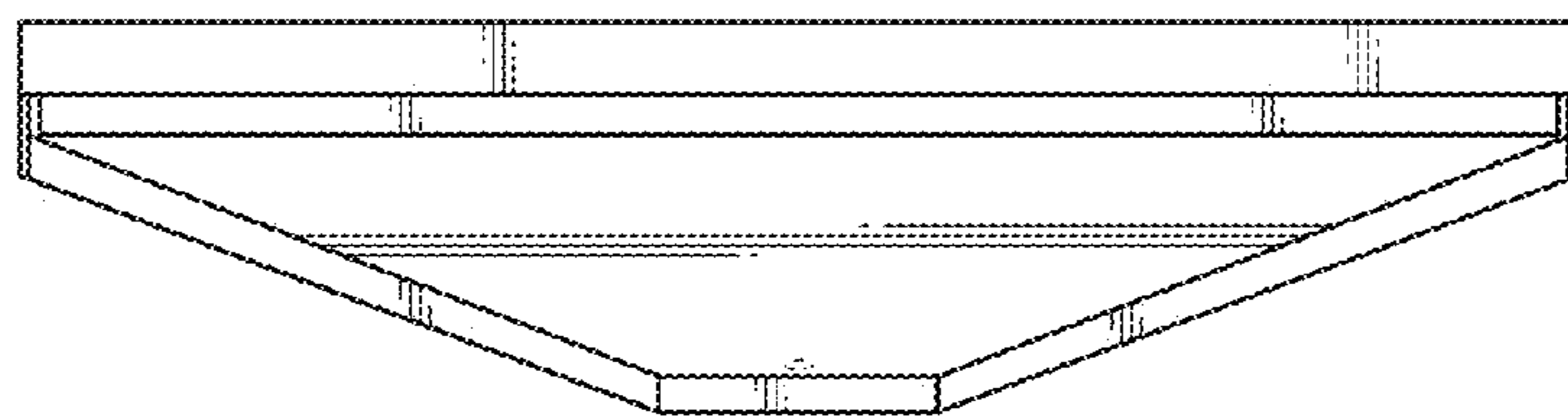


FIG. 7