



US00D726946S

(12) **United States Design Patent**
Dyson et al.

(10) **Patent No.:** **US D726,946 S**
(45) **Date of Patent:** **** Apr. 14, 2015**

(54) **LAMP**

(75) Inventors: **Jacob Dyson**, London (GB); **Douglas Andrew Inge**, London (GB); **Samuel Emrys James**, London (GB)

(73) Assignee: **Jacob Dyson**, London (GB)

(**) Term: **14 Years**

(21) Appl. No.: **29/430,100**

(22) Filed: **Aug. 21, 2012**

(51) **LOC (10) Cl.** **26-03**

(52) **U.S. Cl.**
USPC **D26/63**

(58) **Field of Classification Search**
USPC D26/60–66, 72, 87, 92, 85, 93, 102,
D26/104; 362/157, 158, 183–208, 171–174,
362/271, 311.13, 319, 430, 432, 213, 147,
362/269, 270, 410–414, 418, 800, 275, 277,
362/278, 280–285, 287, 288, 419, 427, 449,
362/211, 227, 232, 249.02–249.04,
362/249.07–249.09, 249.1, 249.11, 264,
362/235–240, 294

See application file for complete search history.

(56) **References Cited**

U.S. PATENT DOCUMENTS

2,740,039	A *	3/1956	Phillips	439/341
D235,915	S *	7/1975	desrochers	D26/63
D293,030	S *	12/1987	Vladescu	D26/93
D435,926	S *	1/2001	Huo-Tu	D26/63
D661,864	S *	6/2012	Swayzer	D26/25

OTHER PUBLICATIONS

Press Preview, Victoria House Basement, 37-63 Southampton Row, WC1B 4DA, Wednesday Sep. 21, 2011, 3 pages.

* cited by examiner

Primary Examiner — Brian N Vinson

(74) *Attorney, Agent, or Firm* — Wolf, Greenfield & Sacks, P.C.; Randy J. Pritzker

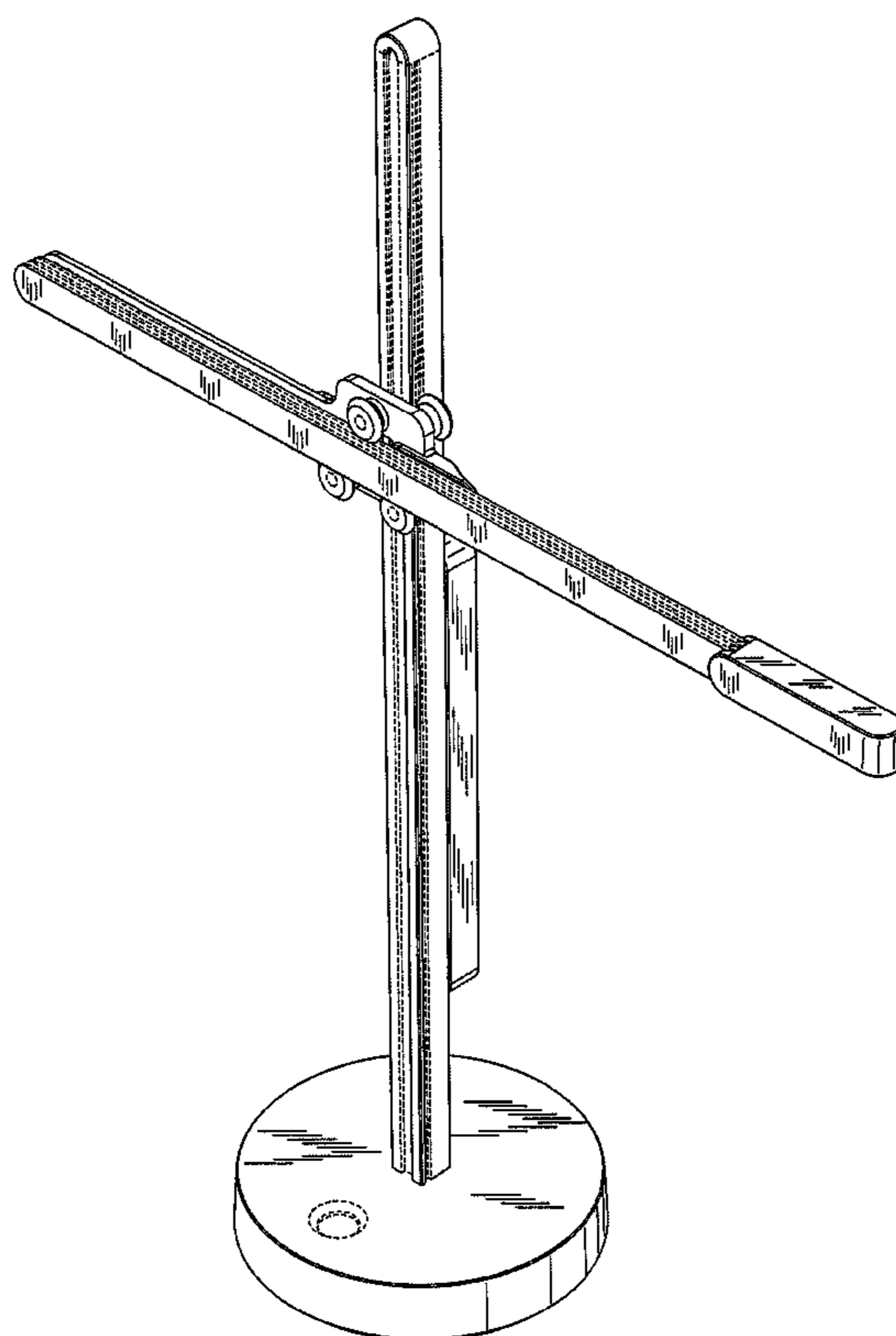
(57) **CLAIM**

The ornamental design for a lamp, as shown and described.

DESCRIPTION

FIG. 1 is a front perspective view from above and one side of a design of a lamp;
FIG. 2 is a rear perspective view from above and one side thereof;
FIG. 3 front view thereof;
FIG. 4 is a rear view thereof; and,
FIG. 5 is a side view thereof.
The broken line disclosure in the views represents portions of the lamp which form no part of the claimed design.

1 Claim, 5 Drawing Sheets



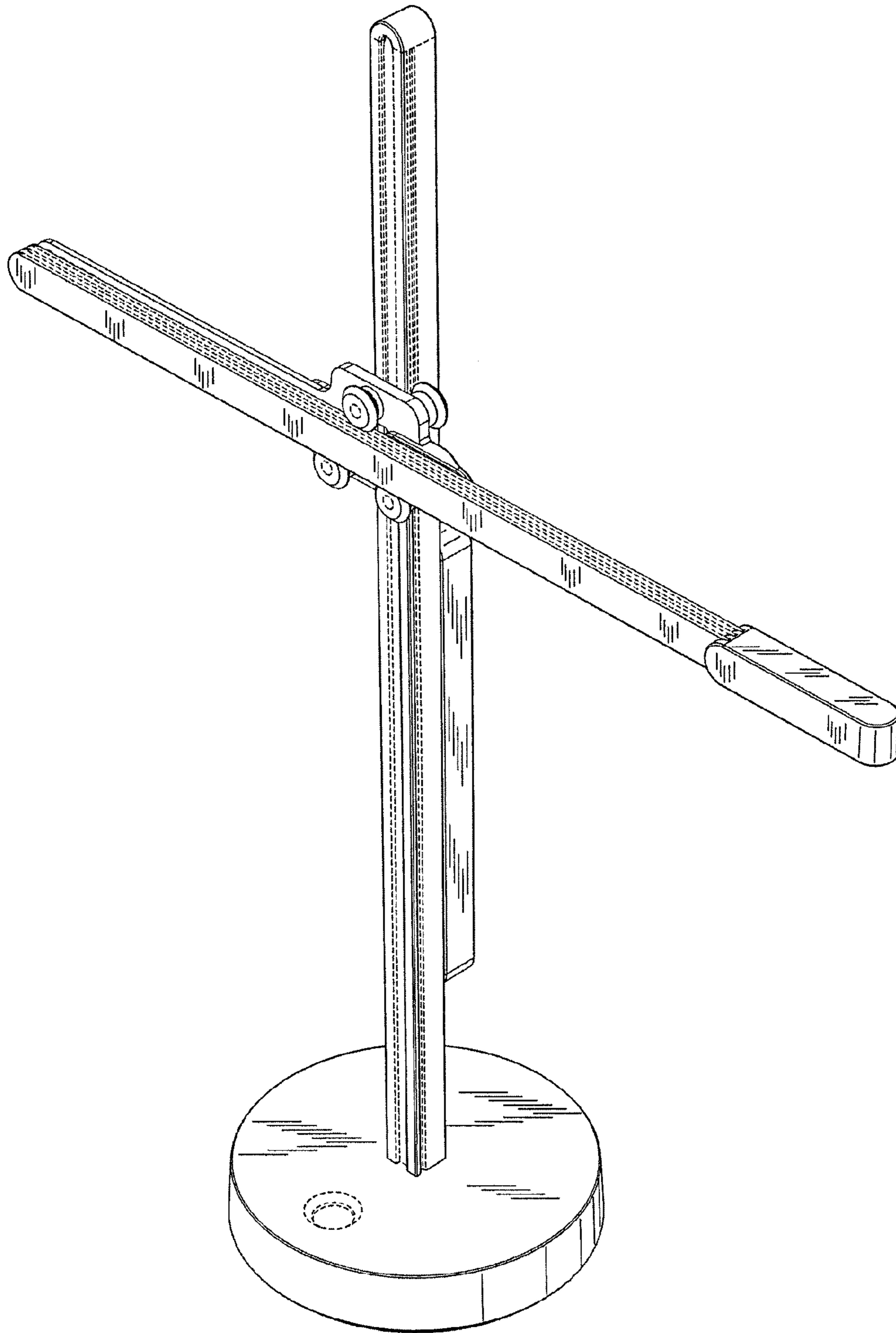


FIG. 1

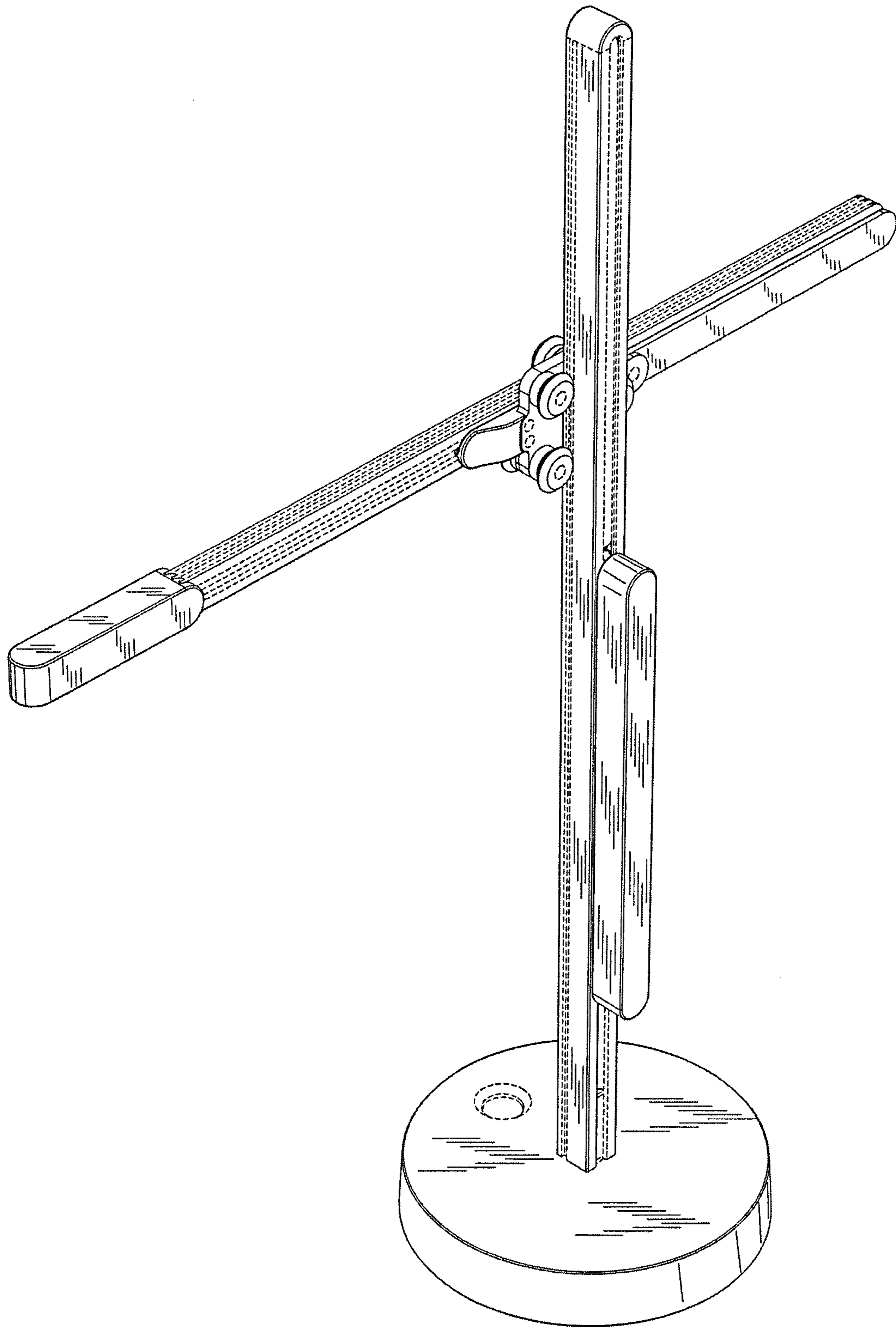


FIG. 2

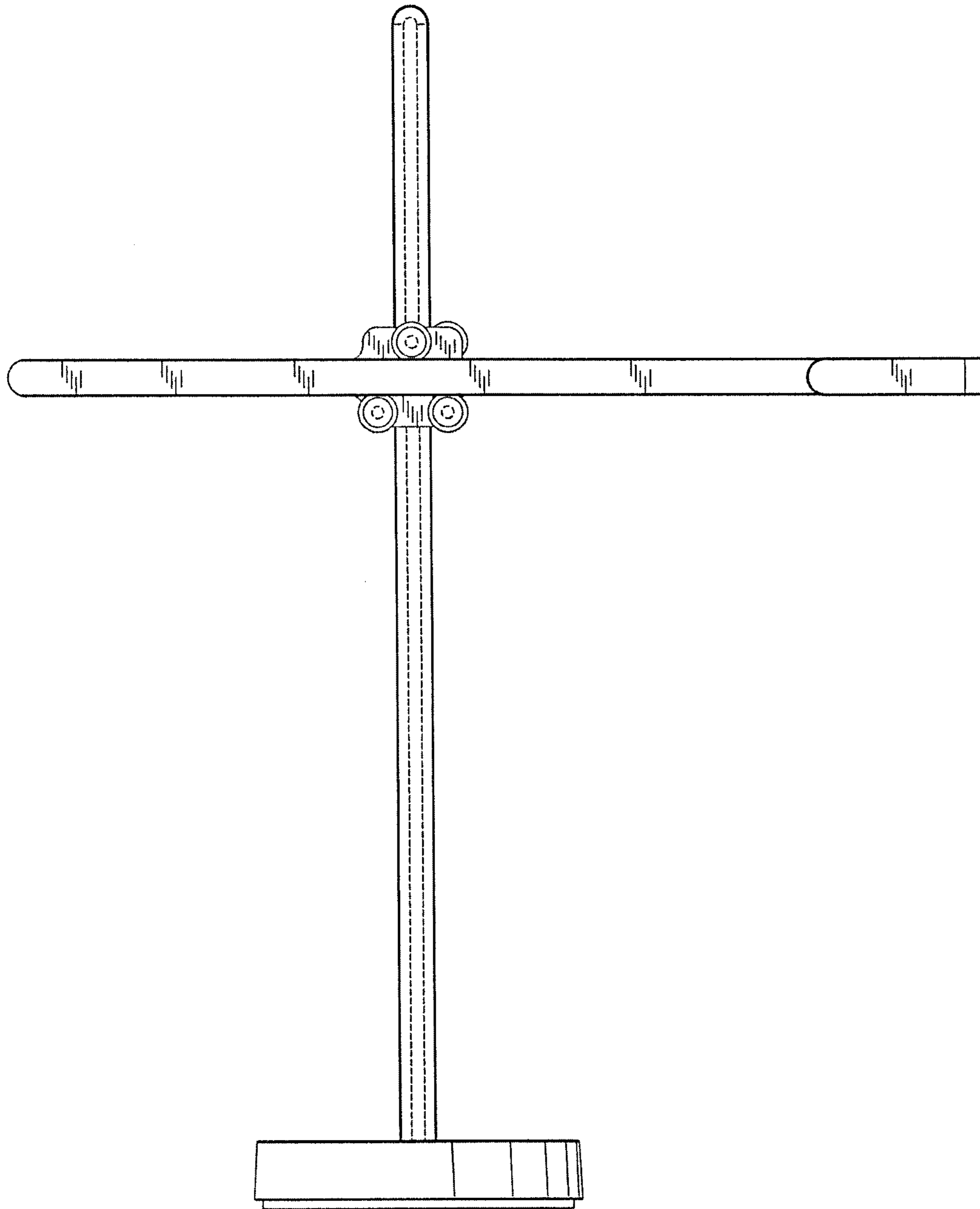


FIG. 3

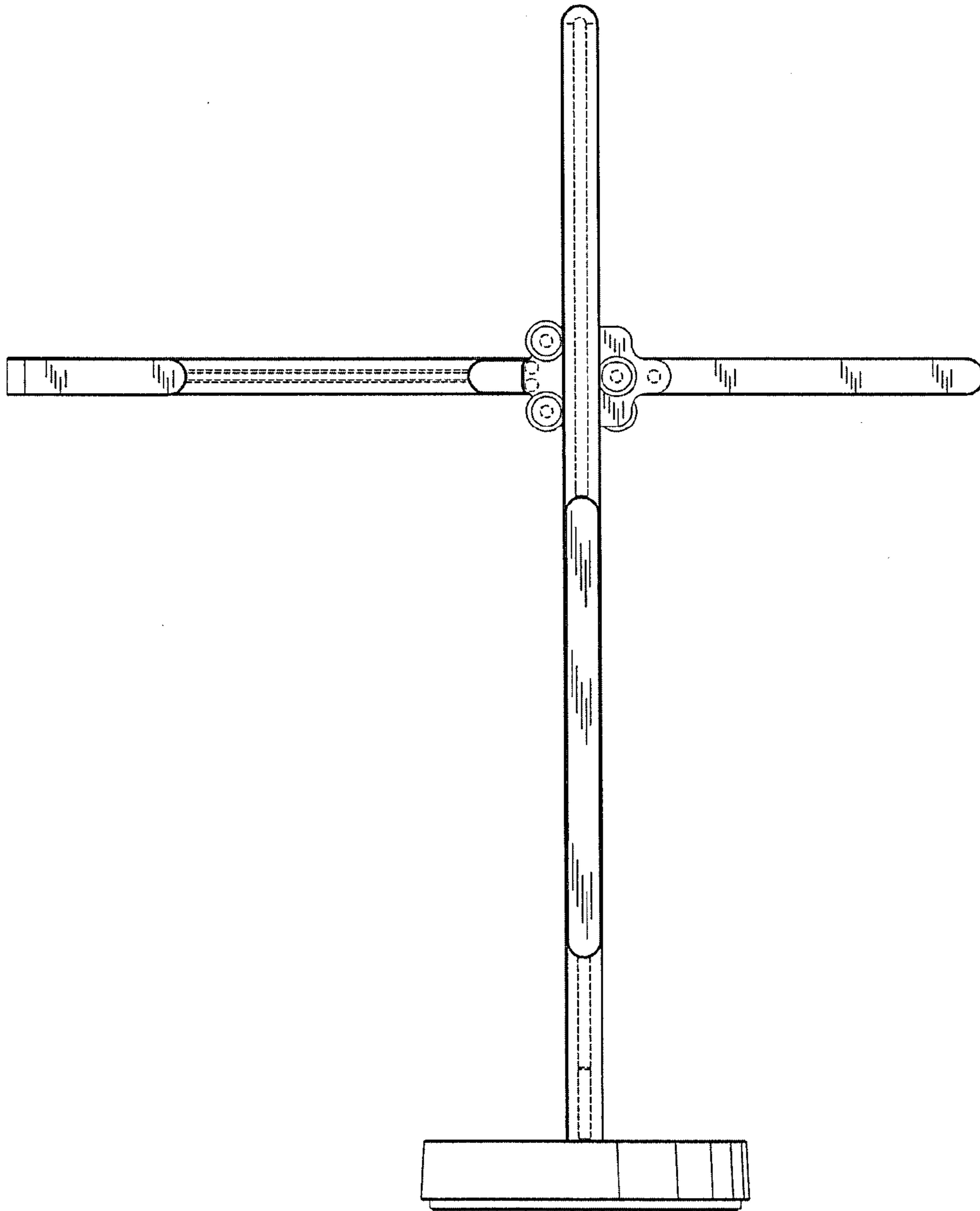


FIG. 4

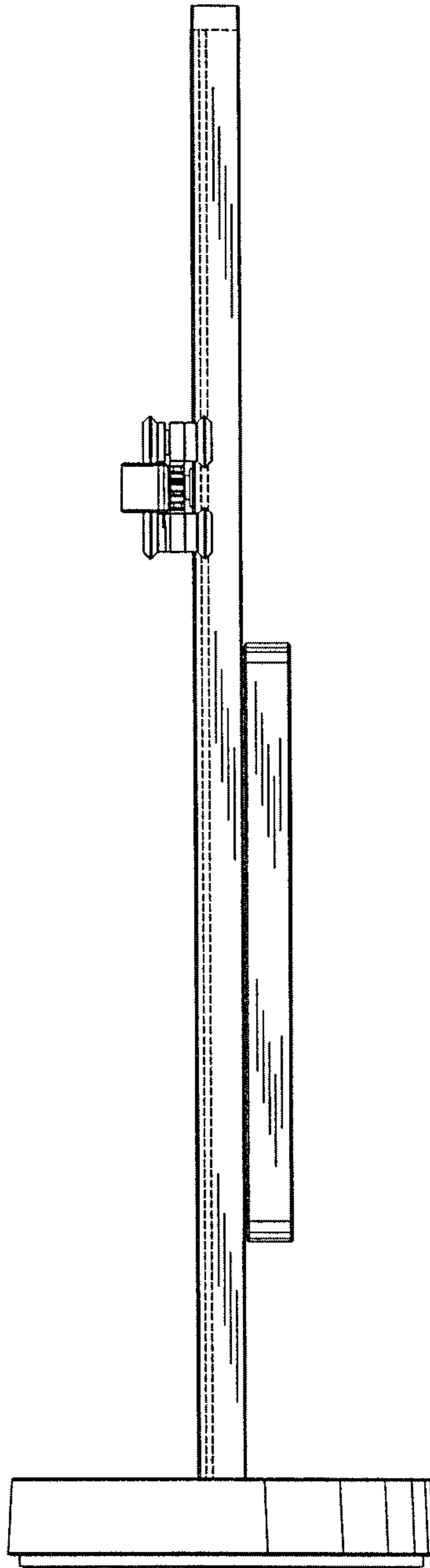


FIG. 5