



US00D726940S

(12) **United States Design Patent**
Goyal et al.

(10) **Patent No.:** **US D726,940 S**

(45) **Date of Patent:** **** Apr. 14, 2015**

(54) **NIGHT LIGHT**

(71) Applicant: **Cooper Technologies Company,**
Houston, TX (US)

(72) Inventors: **Rahul Natwar Goyal,** Tyrone, GA (US);
Michael Ray Nelson, Peachtree City,
GA (US)

(73) Assignee: **Cooper Technologies Company,**
Houston, TX (US)

(**) Term: **14 Years**

(21) Appl. No.: **29/499,292**

(22) Filed: **Aug. 13, 2014**

Related U.S. Application Data

(62) Division of application No. 29/405,812, filed on Nov. 7, 2011.

(51) **LOC (10) Cl.** **26-05**

(52) **U.S. Cl.**
USPC **D26/26; D13/177**

(58) **Field of Classification Search**
USPC D13/133, 139.1, 139.3, 139.6, 137.2,
D13/156, 160, 162, 171, 177, 180, 184,
D13/199; D8/353; D25/103; D14/127,
D14/138 R, 203.3, 203.7, 501, 507;
D12/187, 188; 362/20, 95, 560, 561,
362/802; 174/53, 66; D26/26, 51, 118;
132/296; D10/50, 114.1; D5/58

See application file for complete search history.

(56) **References Cited**

U.S. PATENT DOCUMENTS

D269,430 S 6/1983 Doyle et al.
D336,303 S 6/1993 Teitzman et al.

D352,564 S * 11/1994 Marischen D26/26
D425,312 S 5/2000 Reynolds et al.
D429,829 S 8/2000 Doran
D450,643 S 11/2001 Terzano
D502,173 S 2/2005 Jung et al.
D506,151 S 6/2005 Roher et al.
D515,448 S 2/2006 Nelson et al.
D515,449 S 2/2006 Nelson et al.
D515,959 S 2/2006 Nelson et al.
D524,461 S 7/2006 Molenaar et al.
D526,422 S 8/2006 Yuen
D556,607 S 12/2007 Beland et al.

(Continued)

Primary Examiner — Derrick Holland

Assistant Examiner — Lauren Calve

(74) *Attorney, Agent, or Firm* — King & Spalding LLP

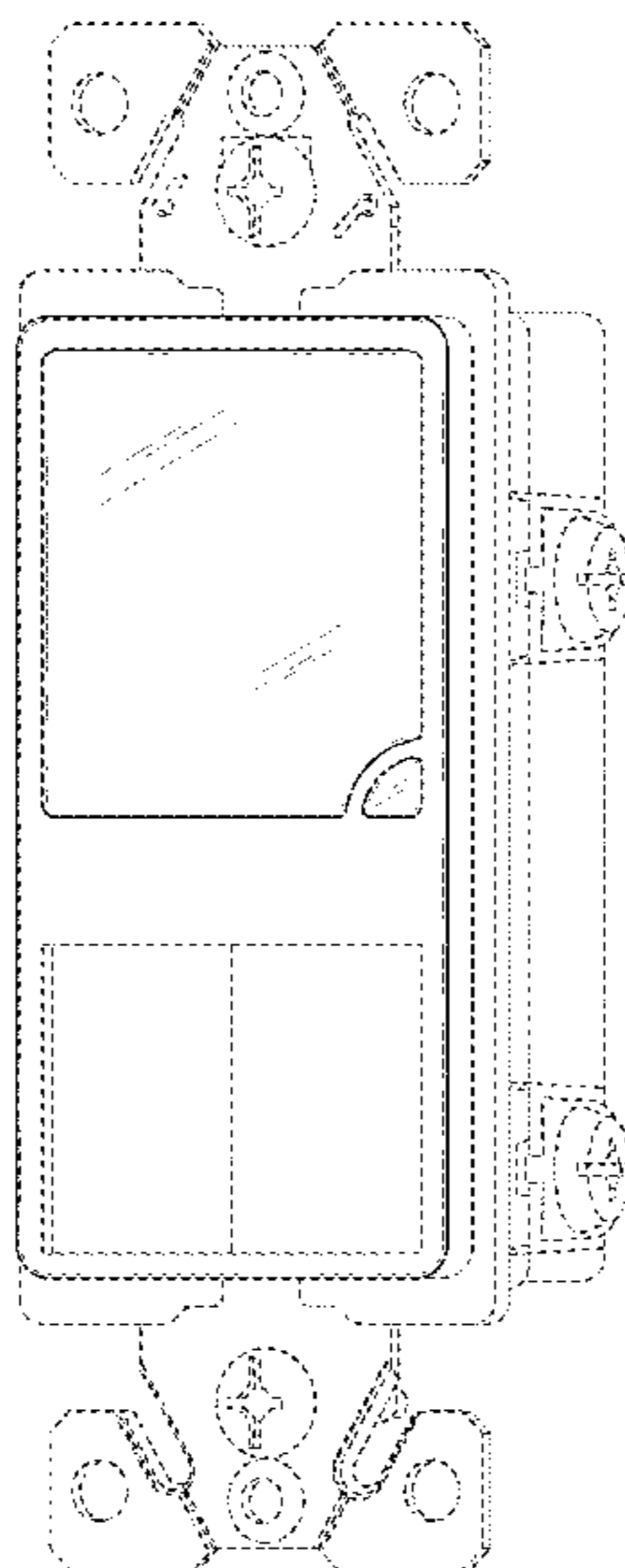
(57) **CLAIM**

The ornamental design for a night light, as shown and described.

DESCRIPTION

FIG. 1 is a perspective view of a new ornamental design for a night light;
FIG. 2 is a front elevation view of the night light of FIG. 1;
FIG. 3 is a rear elevation view of the night light of FIG. 1;
FIG. 4 is a left-side elevation view of the night light of FIG. 1;
FIG. 5 is a right-side elevation view of the night light of FIG. 1;
FIG. 6 is a top plan view of the night light of FIG. 1,
FIG. 7 is a bottom plan view of the night light of FIG. 1;
FIG. 8 is a perspective view of a night light according to a second embodiment; and,
FIG. 9 is a front elevation view of the night light of FIG. 8 wherein the rear, left-side, right-side, top, and bottom views are the same as those shown and described in FIGS. 3-7.
The broken lines shown represent unclaimed subject matter and form no part of the claimed design.

1 Claim, 5 Drawing Sheets



(56)

References Cited

U.S. PATENT DOCUMENTS

D574,807 S * 8/2008 Lee et al. D14/138 AD
D583,337 S 12/2008 Ni
D603,983 S 11/2009 Richter et al.
D603,984 S 11/2009 Richter et al.
D603,985 S 11/2009 Richter et al.
D604,873 S * 11/2009 Richter et al. D26/26
D618,833 S 6/2010 Wei
D633,541 S 3/2011 Khubani

D634,276 S 3/2011 Chou
D640,640 S 6/2011 Duckworth et al.
D644,151 S 8/2011 Chen
D658,591 S 5/2012 Margolin et al.
D664,103 S 7/2012 Sasaoka et al.
D681,569 S 5/2013 Yeh et al.
D690,661 S 10/2013 Wisniewski et al.
D694,195 S 11/2013 Gammon et al.
D695,234 S 12/2013 Santiago et al.
2009/0268321 A1* 10/2009 Wilson 359/868

* cited by examiner

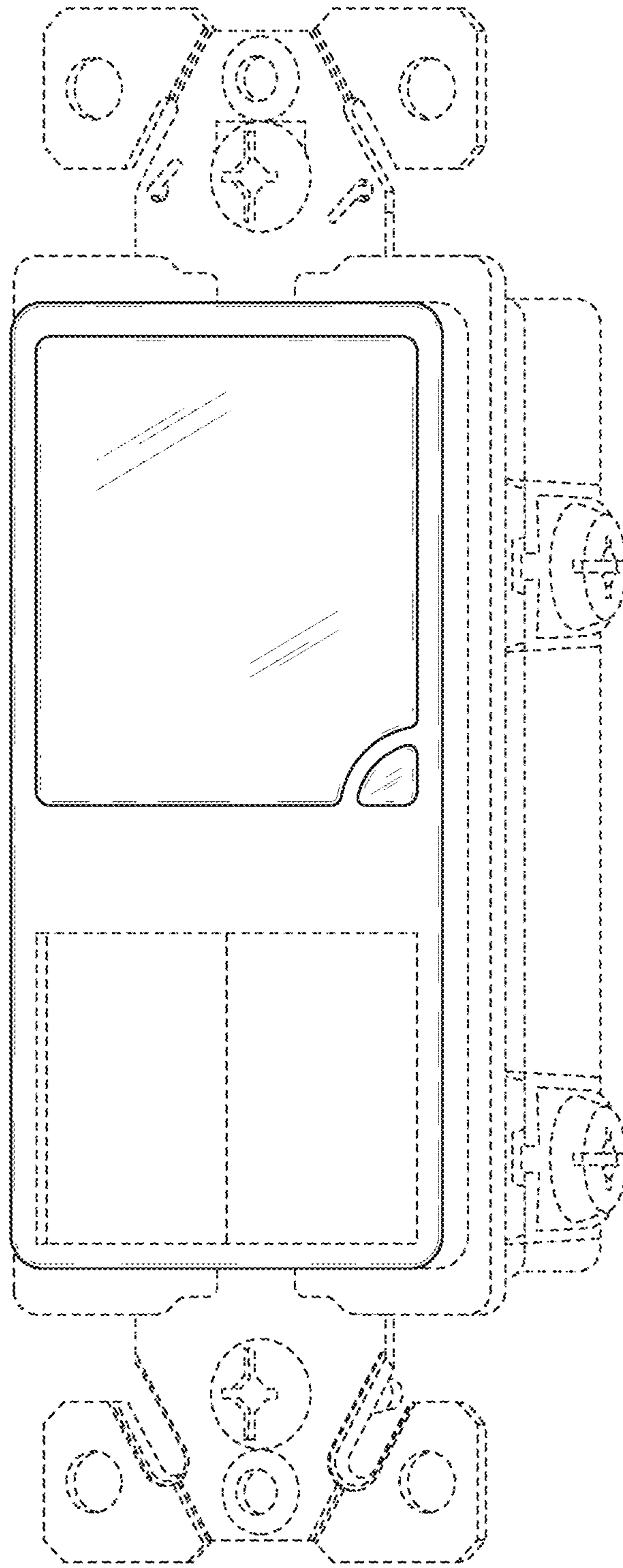


FIG. 1

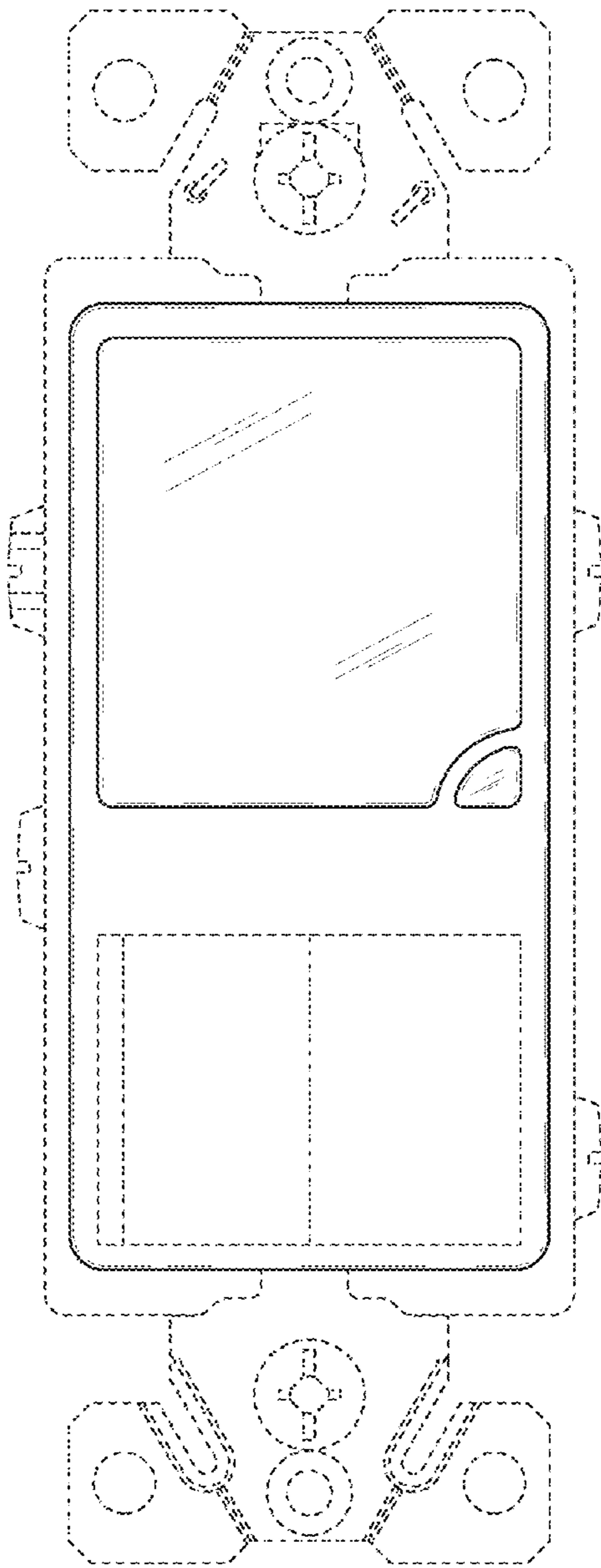


FIG. 2

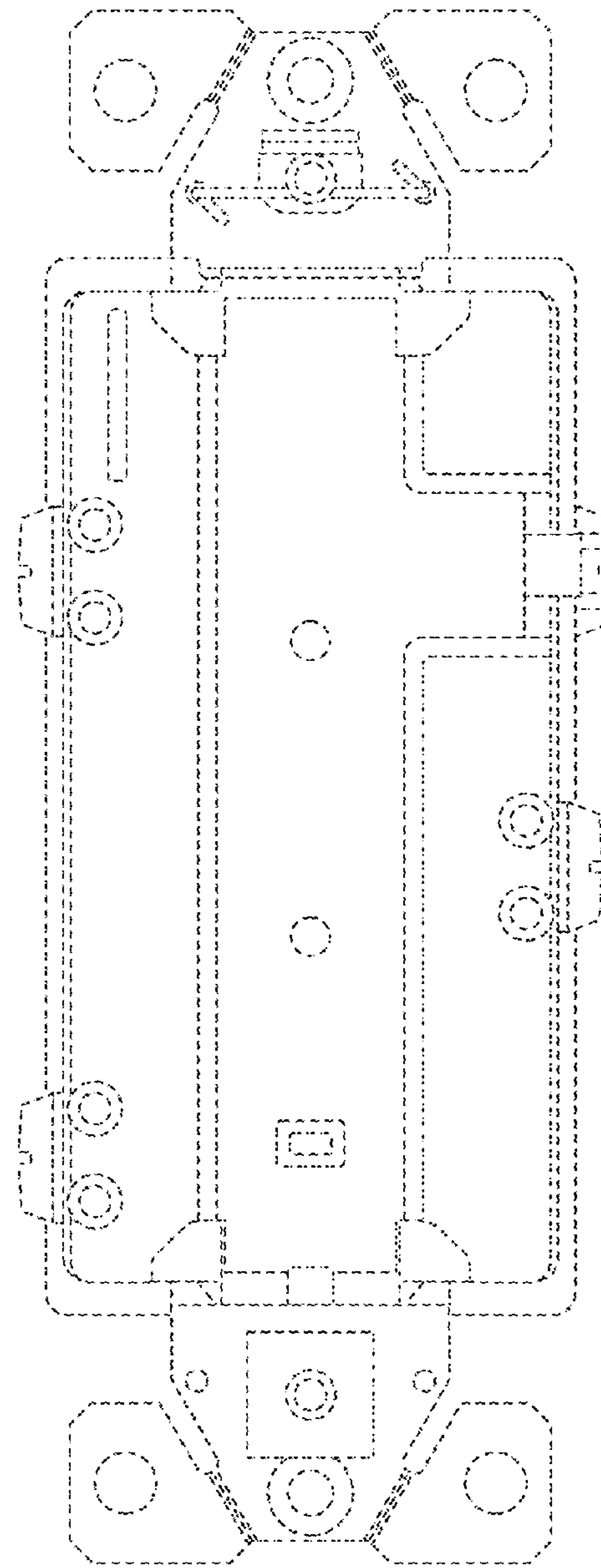


FIG. 3

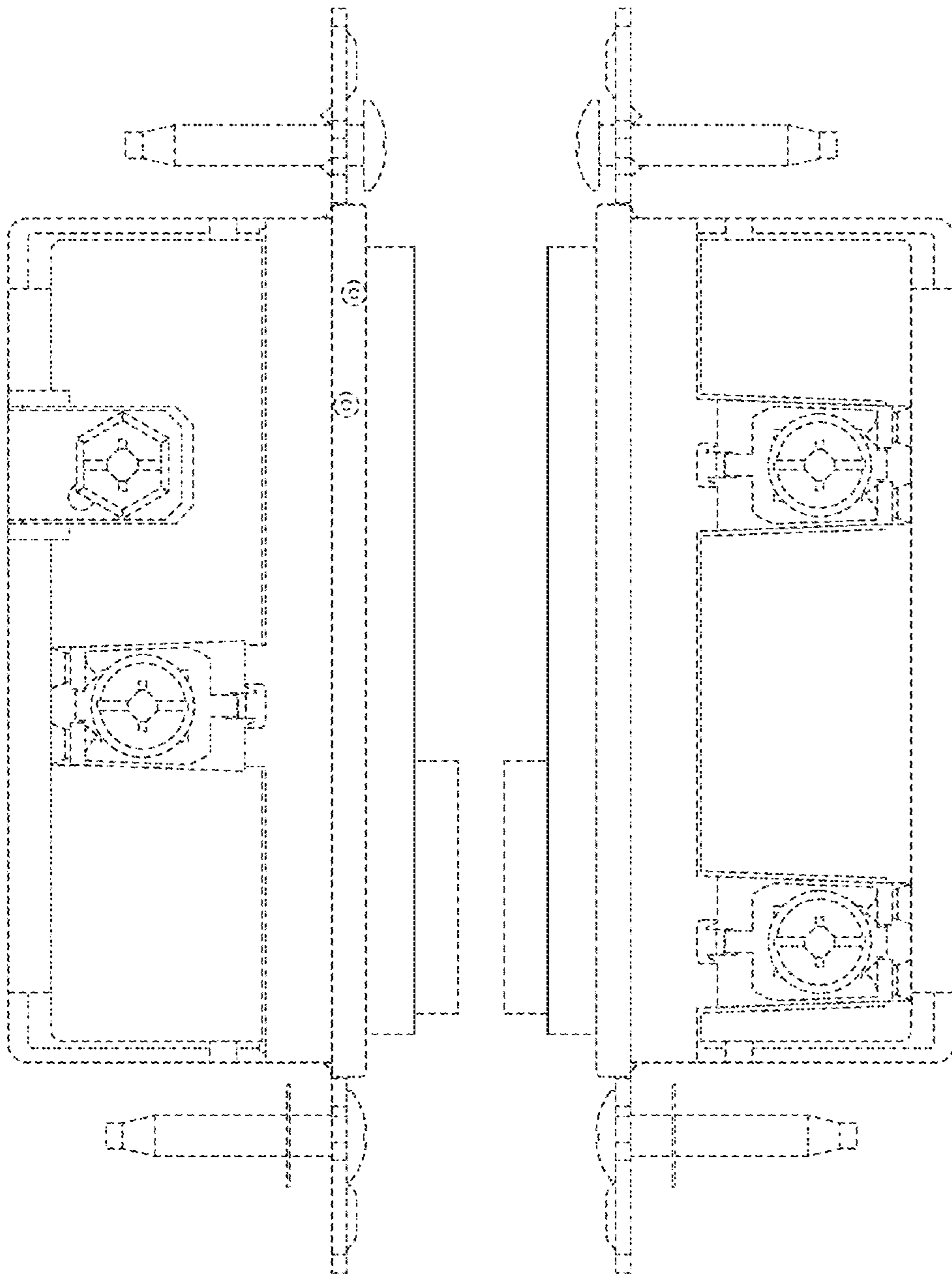


FIG. 4

FIG. 5

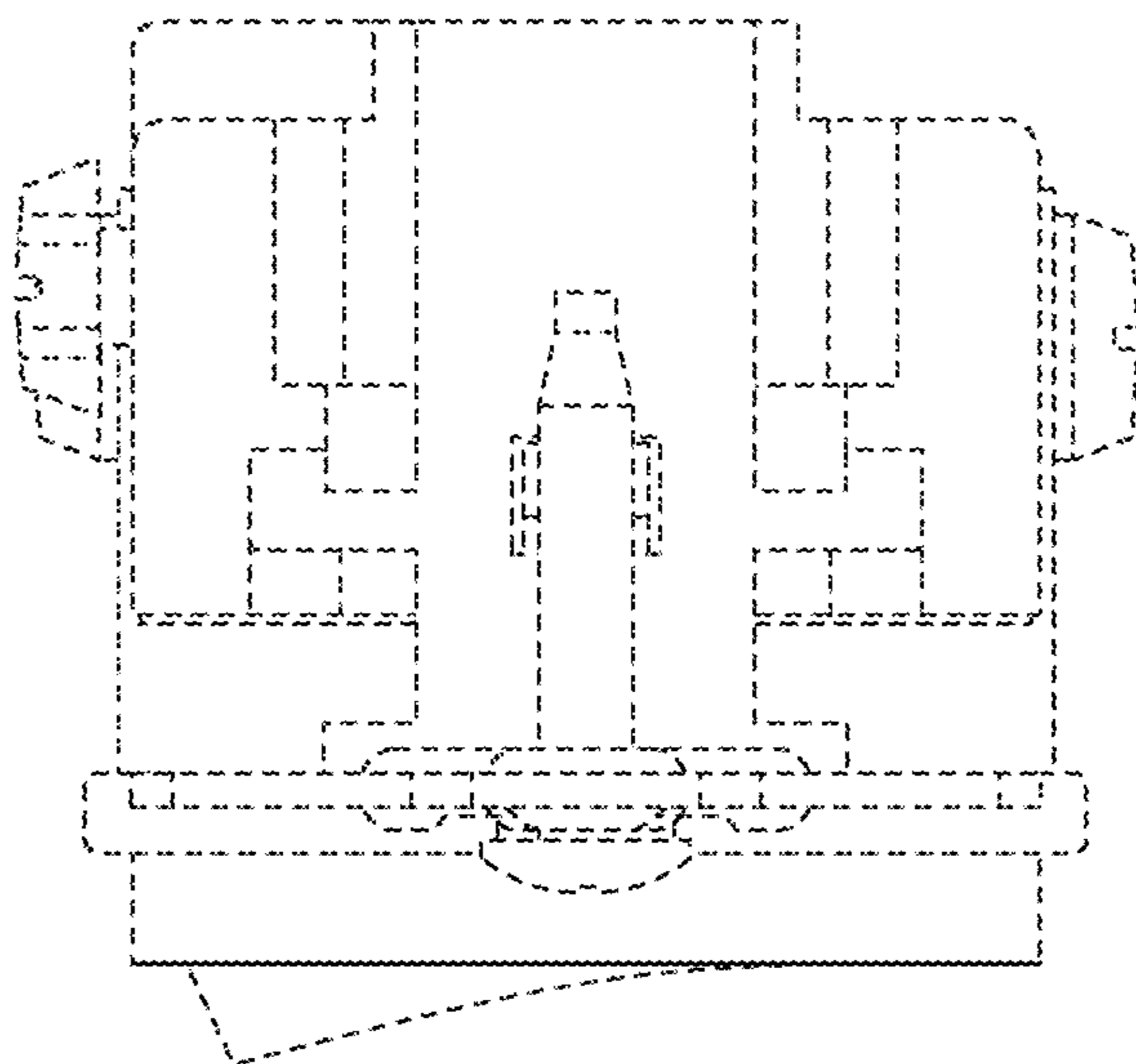


FIG. 6

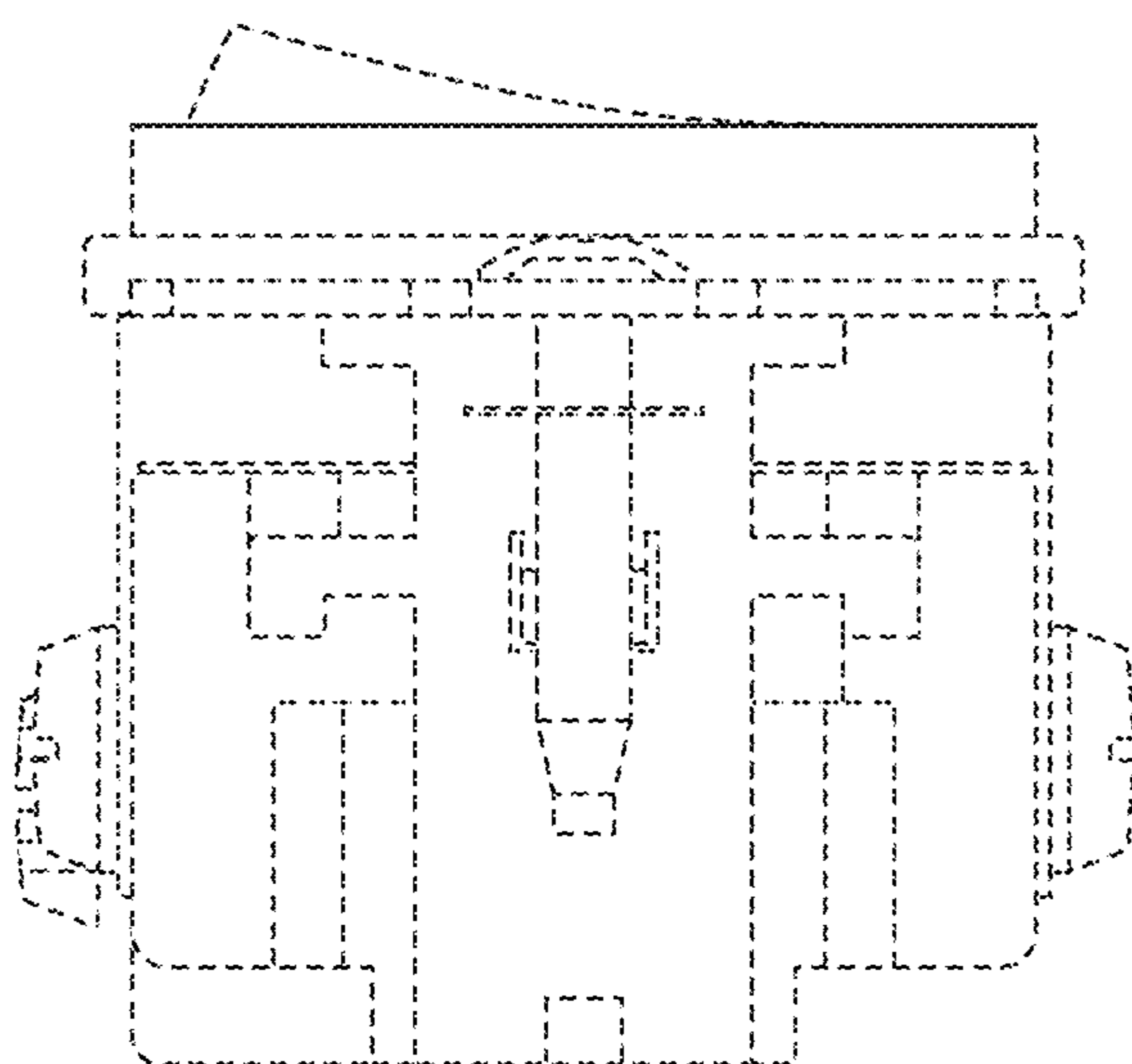


FIG. 7

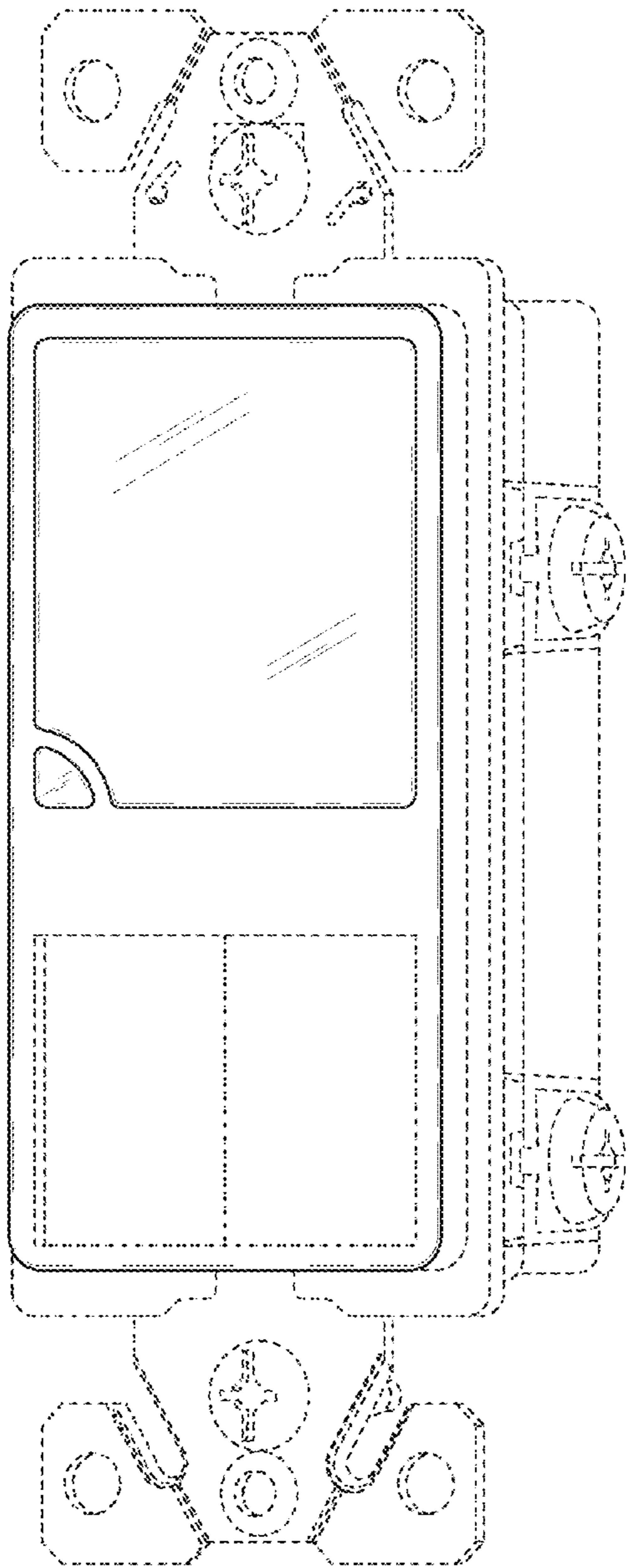


FIG. 8

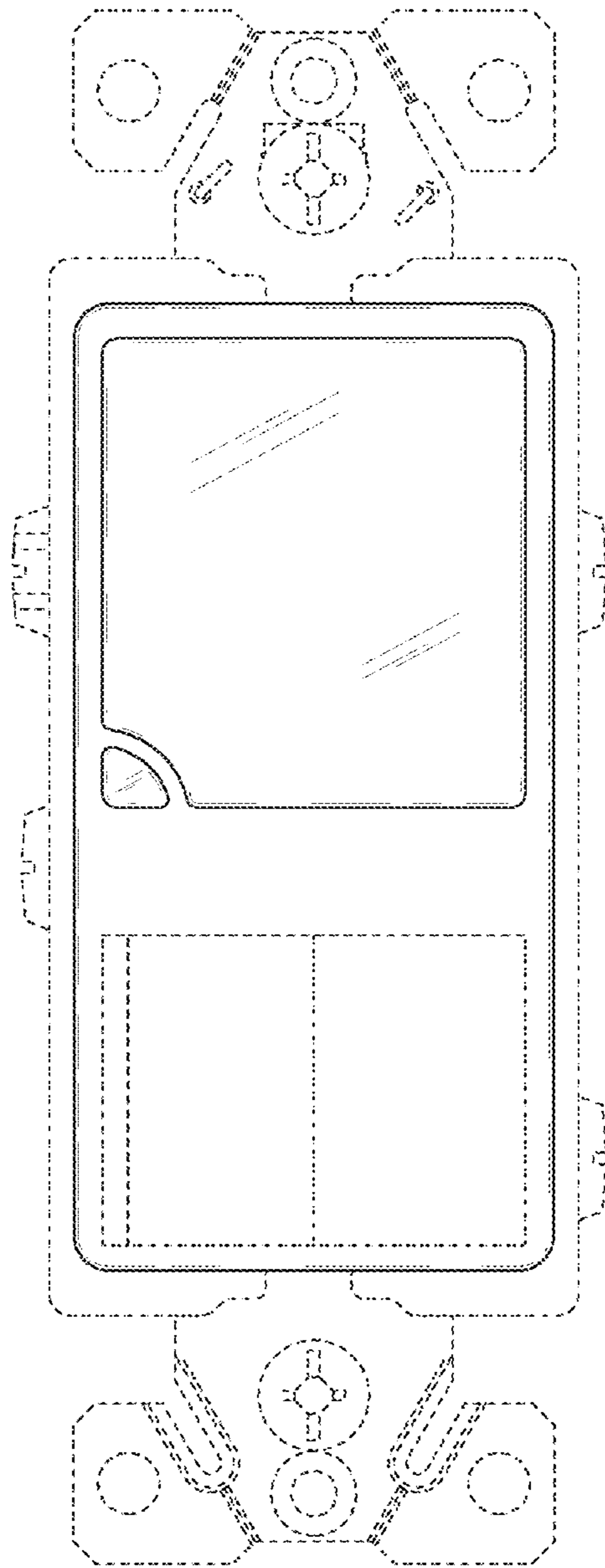


FIG. 9