

US00D726925S

(12) **United States Design Patent**
Fraser et al.

(10) **Patent No.:** **US D726,925 S**

(45) **Date of Patent:** **** *Apr. 14, 2015**

(54) **ORTHOSIS**

(75) Inventors: **Éric Fraser**, Lac Delage (CA);
Stéphane Bédard,
St-Augustin-de-Desmaures (CA); **Benoît**
Gilbert, Lac Beauport (CA)

(73) Assignee: **B-Temia Inc.**, Québec, Québec (CA)

(*) Notice: This patent is subject to a terminal disclaimer.

(**) Term: **14 Years**

(21) Appl. No.: **29/422,030**

(22) Filed: **May 15, 2012**

(51) **LOC (10) Cl.** **24-01**

(52) **U.S. Cl.**
USPC **D24/190**

(58) **Field of Classification Search**

USPC D24/190-192; D29/121.1; 602/3, 5, 6,
602/16, 21-23, 26, 27, 30, 60-66; 2/16, 22,
2/24, 239; 128/861, 879, 882, 893, 894,
128/DIG. 20; 36/4, 8.1-8.3, 88-89, 91, 96,
36/99, 102, 108; D2/980, 989, 902, 913

See application file for complete search history.

(56) **References Cited**

U.S. PATENT DOCUMENTS

| | | | | | | |
|--------------|----|---|---------|------------------|-------|---------|
| D346,028 | S | * | 4/1994 | Lengyel | | D24/190 |
| D660,971 | S | * | 5/2012 | Franke et al. | | D24/192 |
| 2006/0052732 | A1 | * | 3/2006 | Shimada et al. | | 602/5 |
| 2006/0155232 | A1 | * | 7/2006 | Ceriani | | 602/23 |
| 2008/0188784 | A1 | * | 8/2008 | Ceriani et al. | | 602/16 |
| 2010/0130899 | A1 | * | 5/2010 | Chao | | 602/16 |
| 2010/0262052 | A1 | * | 10/2010 | Lunau et al. | | 602/5 |
| 2011/0009786 | A1 | * | 1/2011 | Chan | | 602/16 |
| 2011/0046528 | A1 | * | 2/2011 | Stevenson et al. | | 602/16 |
| 2011/0082402 | A1 | * | 4/2011 | Oddou et al. | | 602/16 |
| 2011/0282255 | A1 | * | 11/2011 | Nace | | 602/16 |
| 2013/0006159 | A1 | * | 1/2013 | Nakashima et al. | | 602/23 |
| 2013/0012852 | A1 | * | 1/2013 | Imaida et al. | | 602/16 |

* cited by examiner

Primary Examiner — Eric Goodman

Assistant Examiner — Jennifer Watkins

(74) *Attorney, Agent, or Firm* — Equinox IP

(57) **CLAIM**

The ornamental design for an orthosis, as shown and described.

DESCRIPTION

FIG. 1 is a perspective view of an orthosis, showing our design;

FIG. 2 is an interior side view thereof;

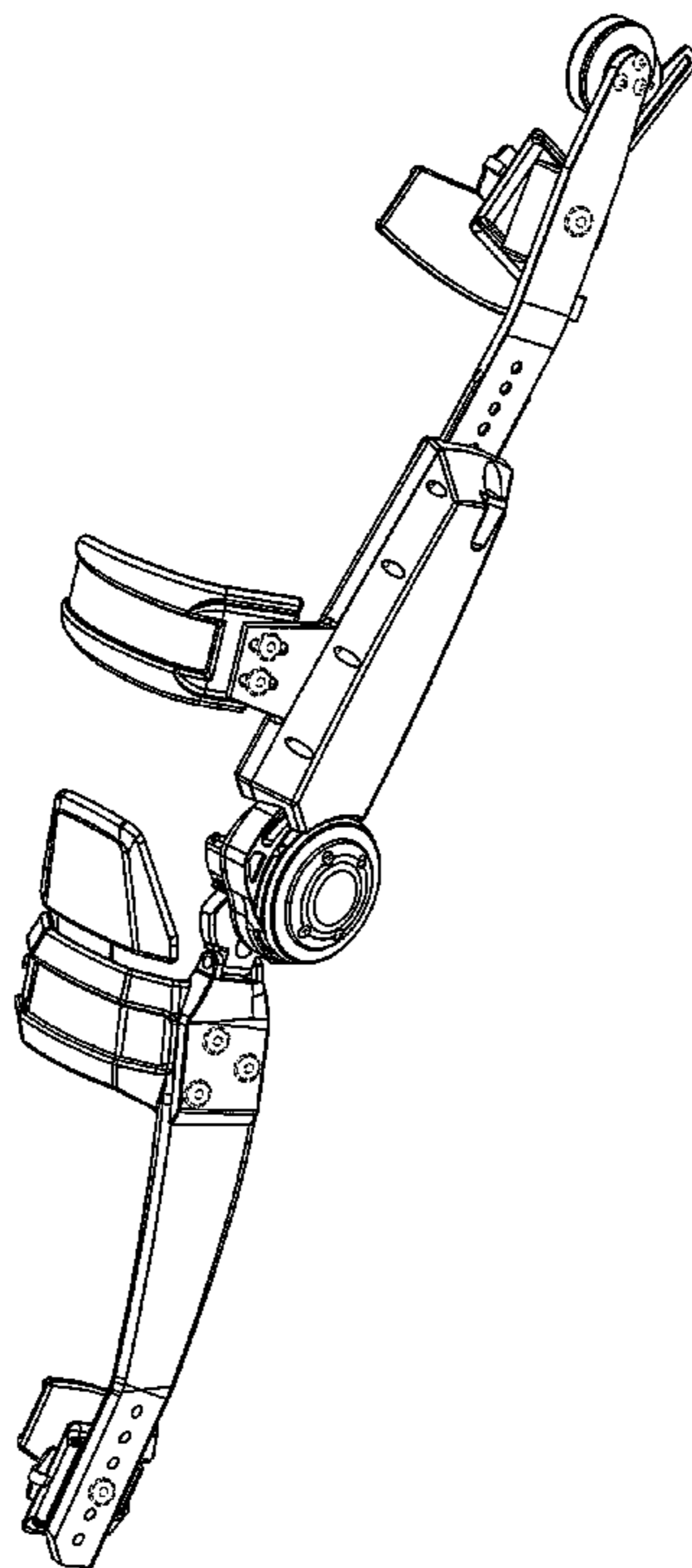
FIG. 3 is a front view thereof;

FIG. 4 is an exterior side view thereof; and,

FIG. 5 is a rear view thereof.

The broken lines illustrate unclaimed structure.

1 Claim, 5 Drawing Sheets



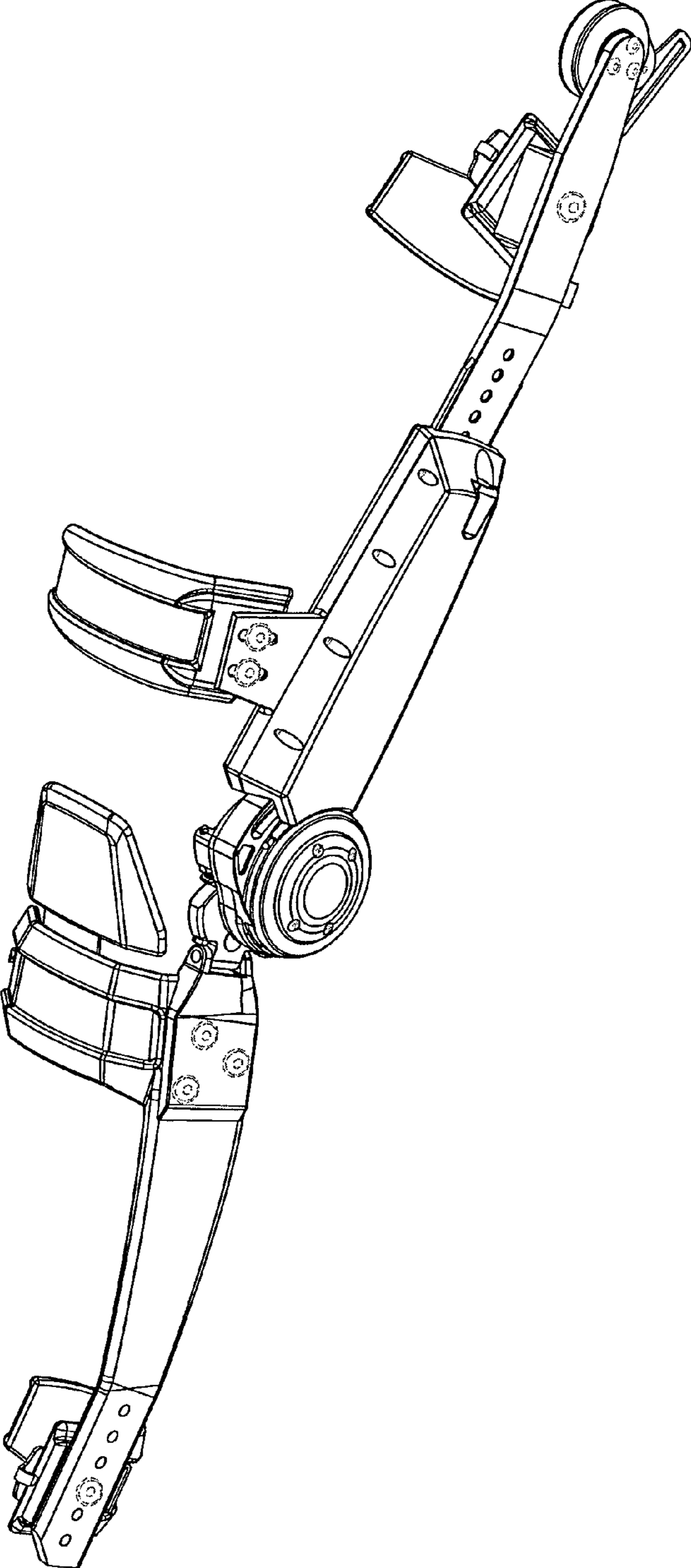


FIG.1

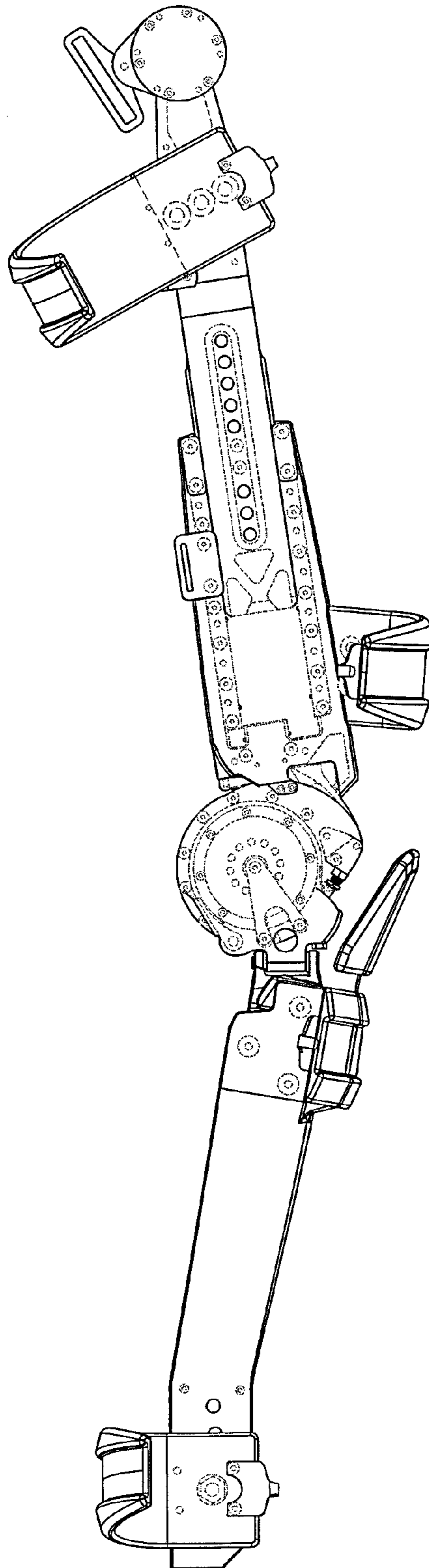


FIG.2

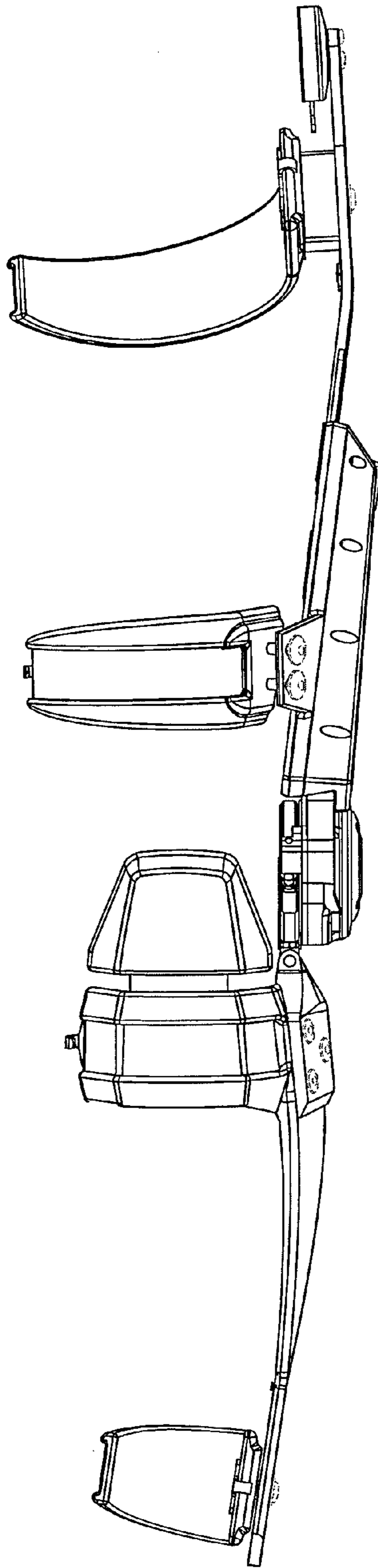


FIG.3

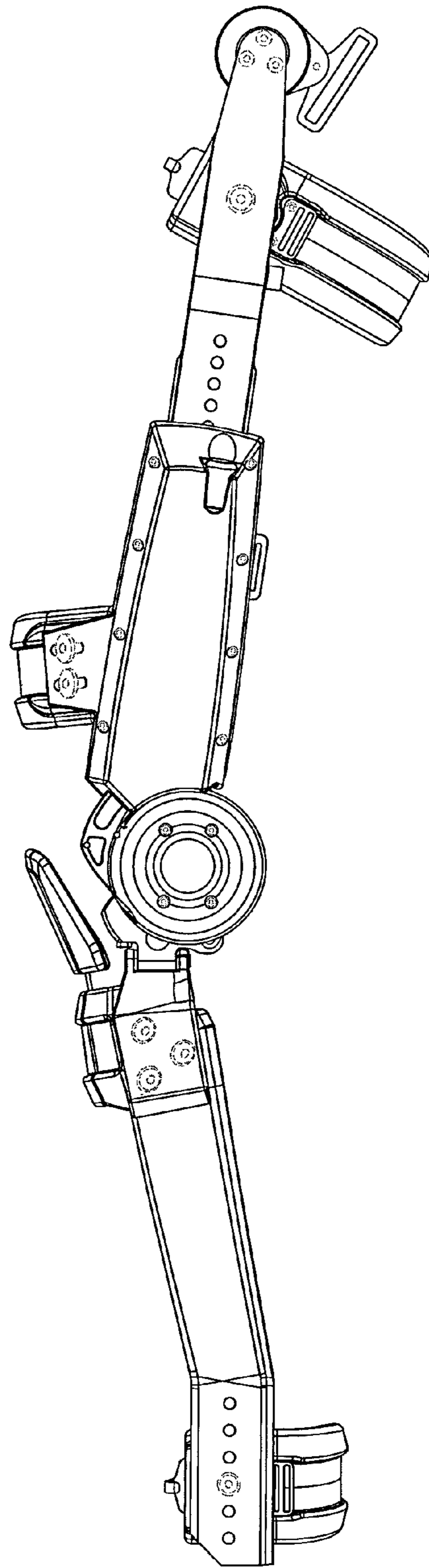


FIG.4

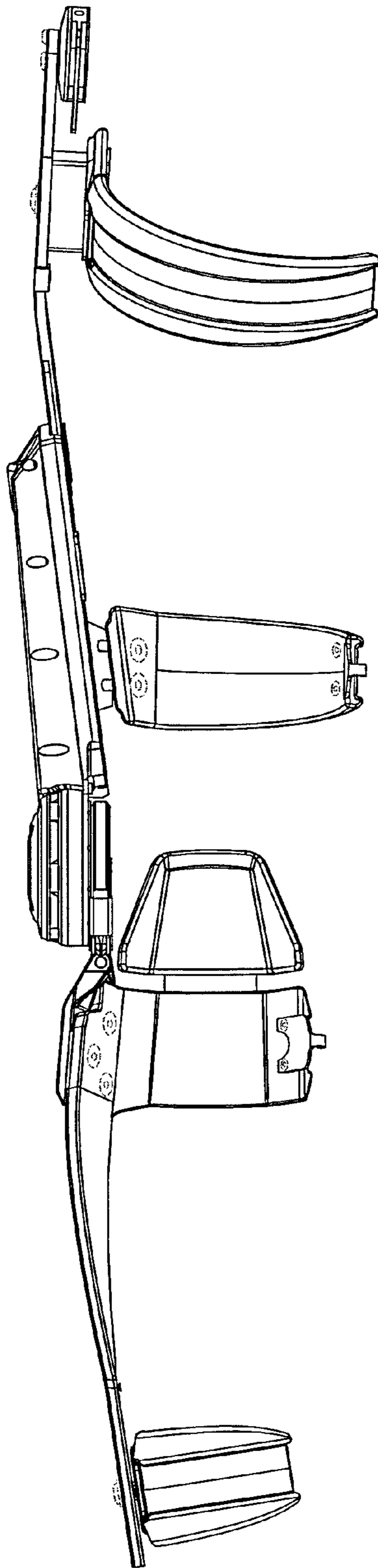


FIG.5