



US00D726923S

(12) **United States Design Patent**  
**Baba et al.**

(10) **Patent No.:** **US D726,923 S**  
(45) **Date of Patent:** **\*\* Apr. 14, 2015**

(54) **ULTRASONIC DIAGNOSIS APPARATUS**

D650,482 S 12/2011 Kim et al.  
D662,208 S 6/2012 Otoha et al.  
D687,151 S 7/2013 Yokoyama et al.  
D707,359 S \* 6/2014 Kim ..... D24/185  
D707,360 S \* 6/2014 Kim et al. .... D24/185  
D711,539 S \* 8/2014 Hunt et al. .... D24/158

(71) Applicants: **Kabushiki Kaisha Toshiba**, Minato-ku,  
Tokyo (JP); **Toshiba Medical Systems**  
**Corporation**, Otawara-shi, Tochigi-ken  
(JP)

(Continued)

(72) Inventors: **Noriaki Baba**, Tokyo (JP); **Junya**  
**Suzuki**, Yokosuka (JP)

**FOREIGN PATENT DOCUMENTS**

(73) Assignees: **Kabushiki Kaisha Toshiba**, Tokyo (JP);  
**Toshiba Medical Systems Corporation**,  
Tochigi-ken (JP)

JP 1386372 4/2010  
JP 1424938 10/2011

(Continued)

(\*\*) Term: **14 Years**

*Primary Examiner* — Anhdao Doan

(74) *Attorney, Agent, or Firm* — Banner & Witcoff, Ltd.

(21) Appl. No.: **29/499,662**

(57) **CLAIM**

(22) Filed: **Aug. 18, 2014**

The ornamental design for an ultrasonic diagnosis apparatus,  
as shown and described.

**Related U.S. Application Data**

(62) Division of application No. 29/470,634, filed on Oct.  
23, 2013, now Pat. No. Des. 716,949.

**DESCRIPTION**

(30) **Foreign Application Priority Data**

Apr. 26, 2013 (JP) ..... 2013-009399  
Apr. 26, 2013 (JP) ..... 2013-009400

(51) **LOC (10) Cl.** ..... **24-01**

(52) **U.S. Cl.**  
USPC ..... **D24/158; D24/160**

(58) **Field of Classification Search**  
USPC ..... D24/158-161, 185, 186; 606/32-34;  
600/437, 443; 248/282.1  
See application file for complete search history.

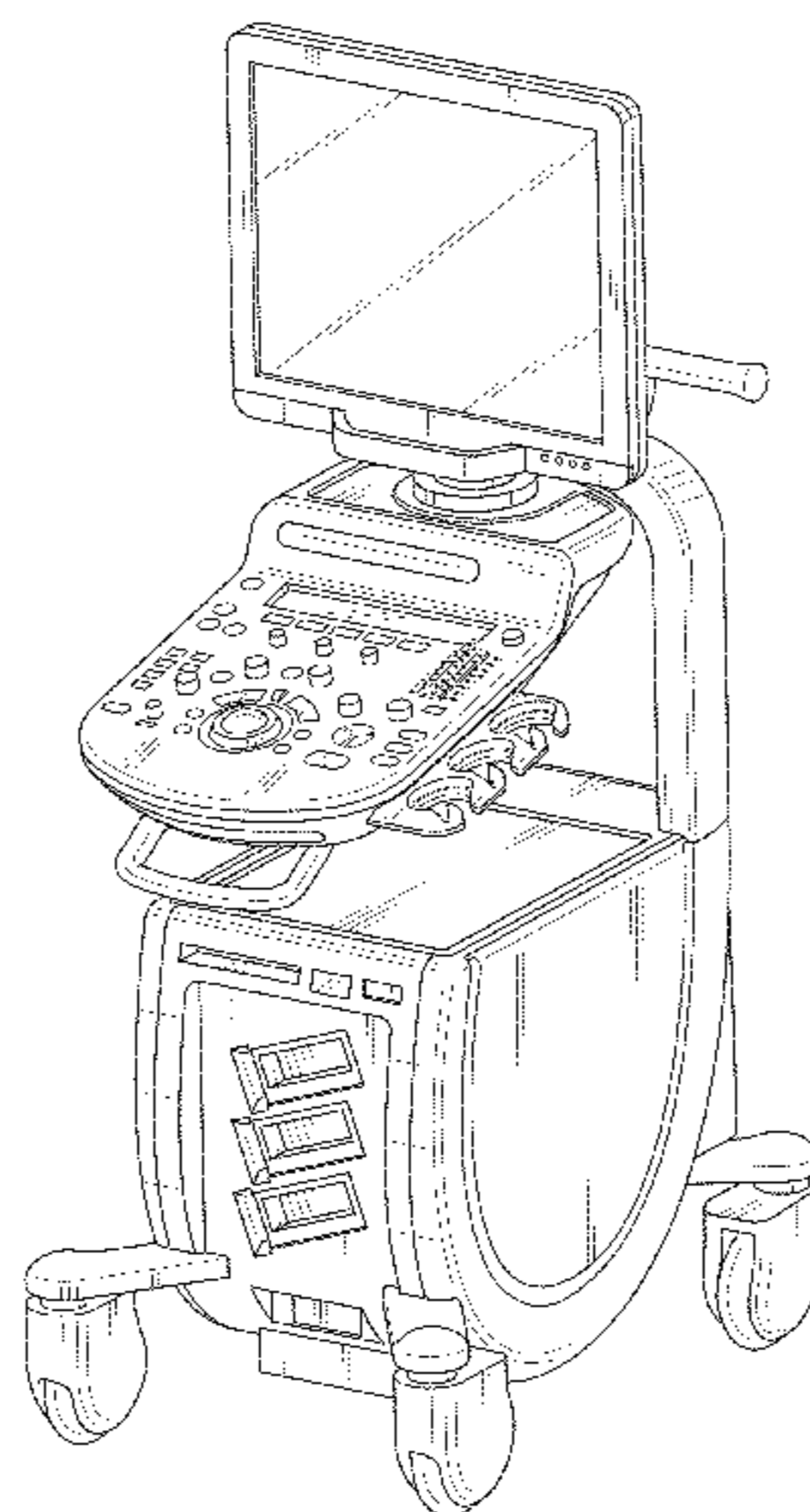
FIG. 1 is a front, top and right side perspective view of a  
ultrasonic diagnosis apparatus, showing our new design;  
FIG. 2 is a rear, top and left side perspective view thereof;  
FIG. 3 is a front view thereof;  
FIG. 4 is a right side view thereof;  
FIG. 5 is a rear view thereof;  
FIG. 6 is a left side view thereof;  
FIG. 7 is a top view thereof;  
FIG. 8 is a bottom view thereof;  
FIG. 9 is an enlarged end view thereof, taken along the line  
9-9 in FIG. 3, with its internal mechanisms omitted; and,  
FIG. 10 is an enlarged cross sectional view thereof, taken  
along the line 10-10 in FIG. 4.  
The broken lines in FIG. 3 are included to indicate the cutting  
plane of FIG. 9. The broken lines shown in FIGS. 9 and 10 are  
for environmental purposes only and form no part of the  
claimed design.

(56) **References Cited**

**U.S. PATENT DOCUMENTS**

D560,807 S 1/2008 Kitayama et al.  
D571,011 S 6/2008 Otoha et al.  
D630,752 S 1/2011 Suzuki

**1 Claim, 10 Drawing Sheets**



(56)

**References Cited**

2013/0165790 A1 6/2013 Kim

U.S. PATENT DOCUMENTS

FOREIGN PATENT DOCUMENTS

D713,035 S \* 9/2014 Kim et al. .... D24/158  
2008/0132789 A1 6/2008 Malchow et al.  
2008/0161688 A1 7/2008 Poland  
2011/0201927 A1 8/2011 Hayakawa et al.  
2013/0030292 A1 1/2013 Nakajima

JP 1440479 10/2012  
KR 30-0572387 9/2010

\* cited by examiner

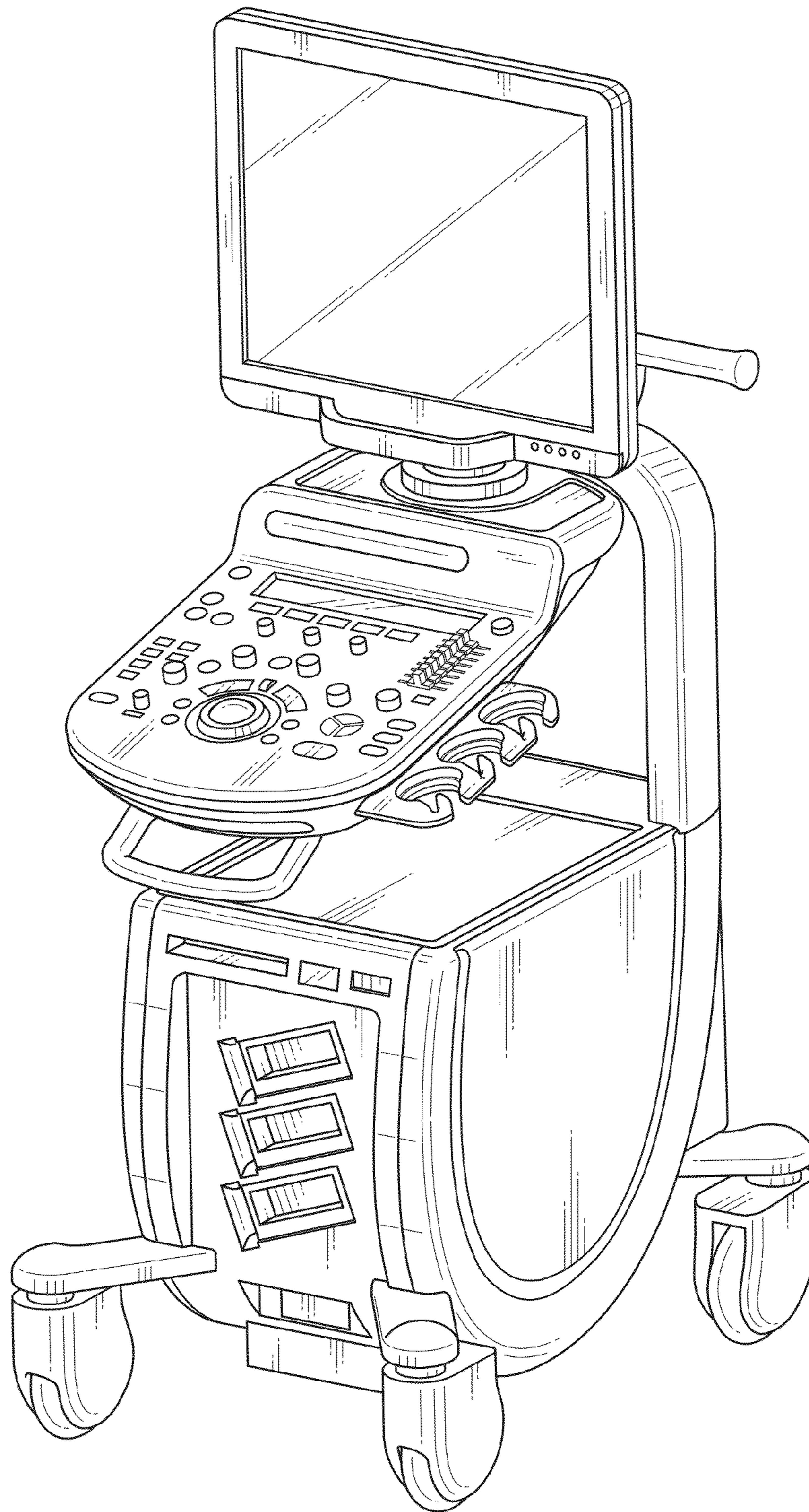


Fig. 1

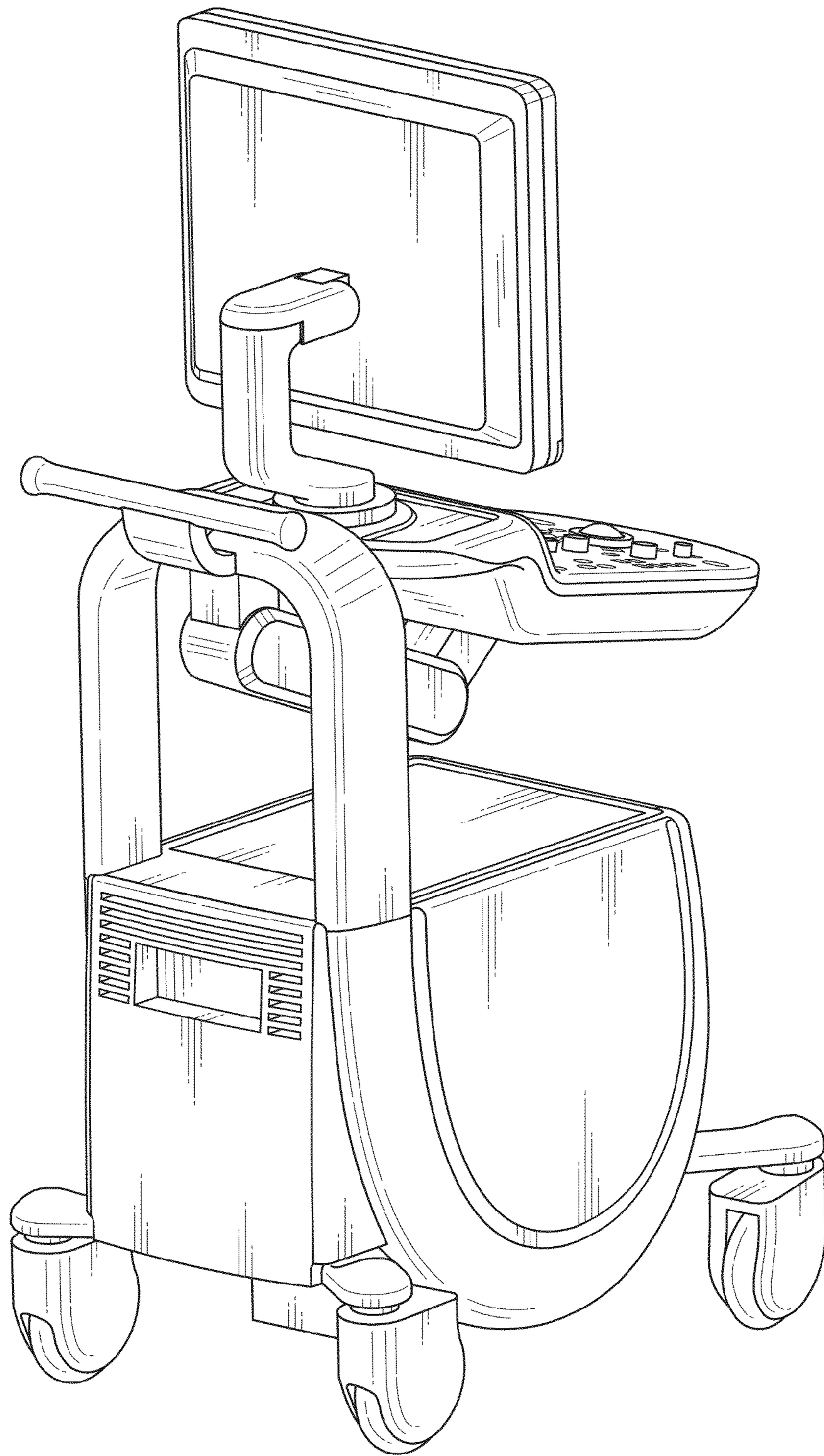


Fig. 2

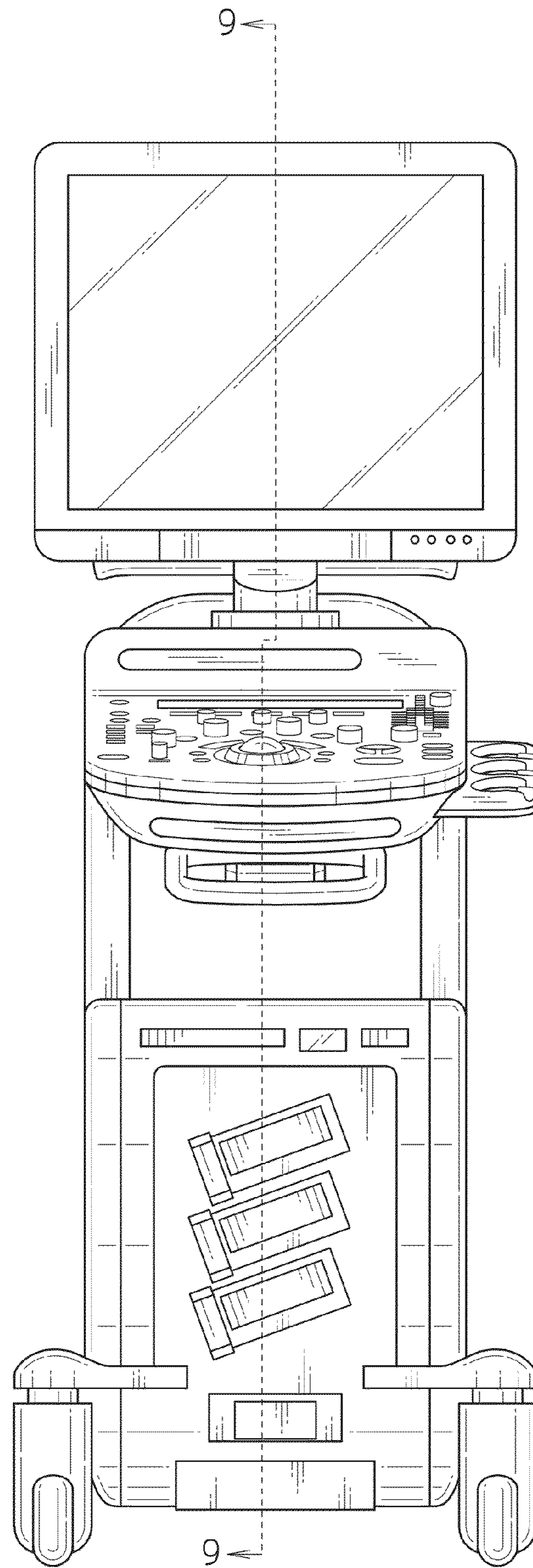


Fig. 3

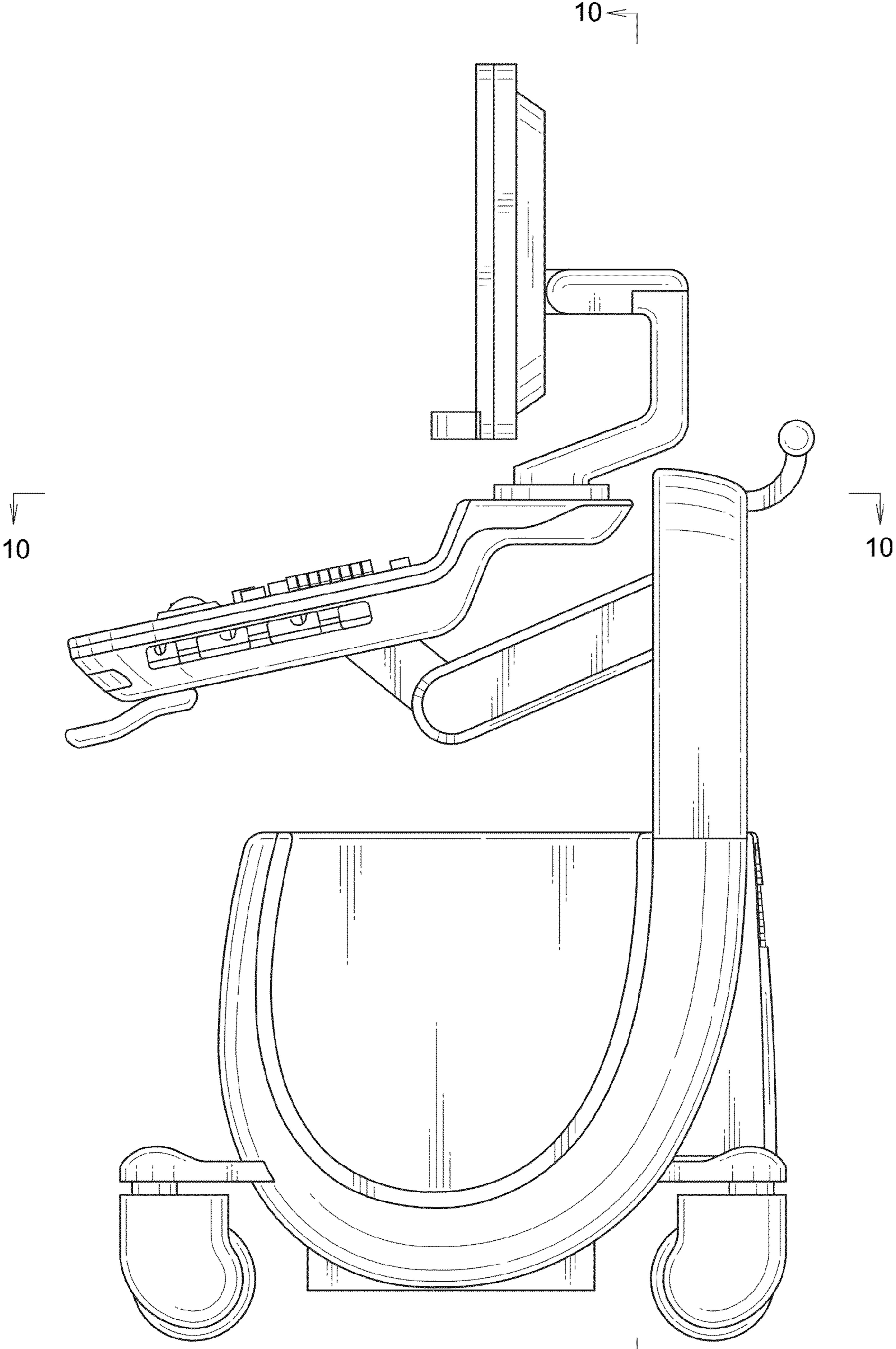


Fig. 4

10

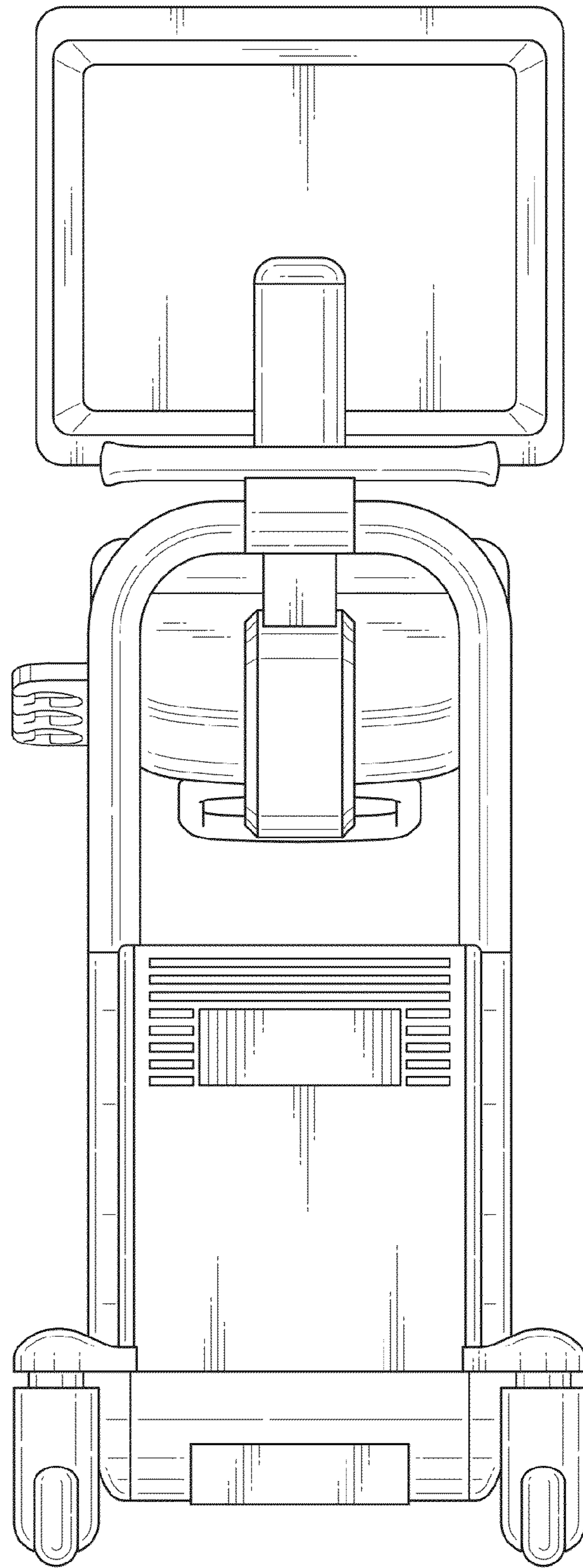


Fig. 5

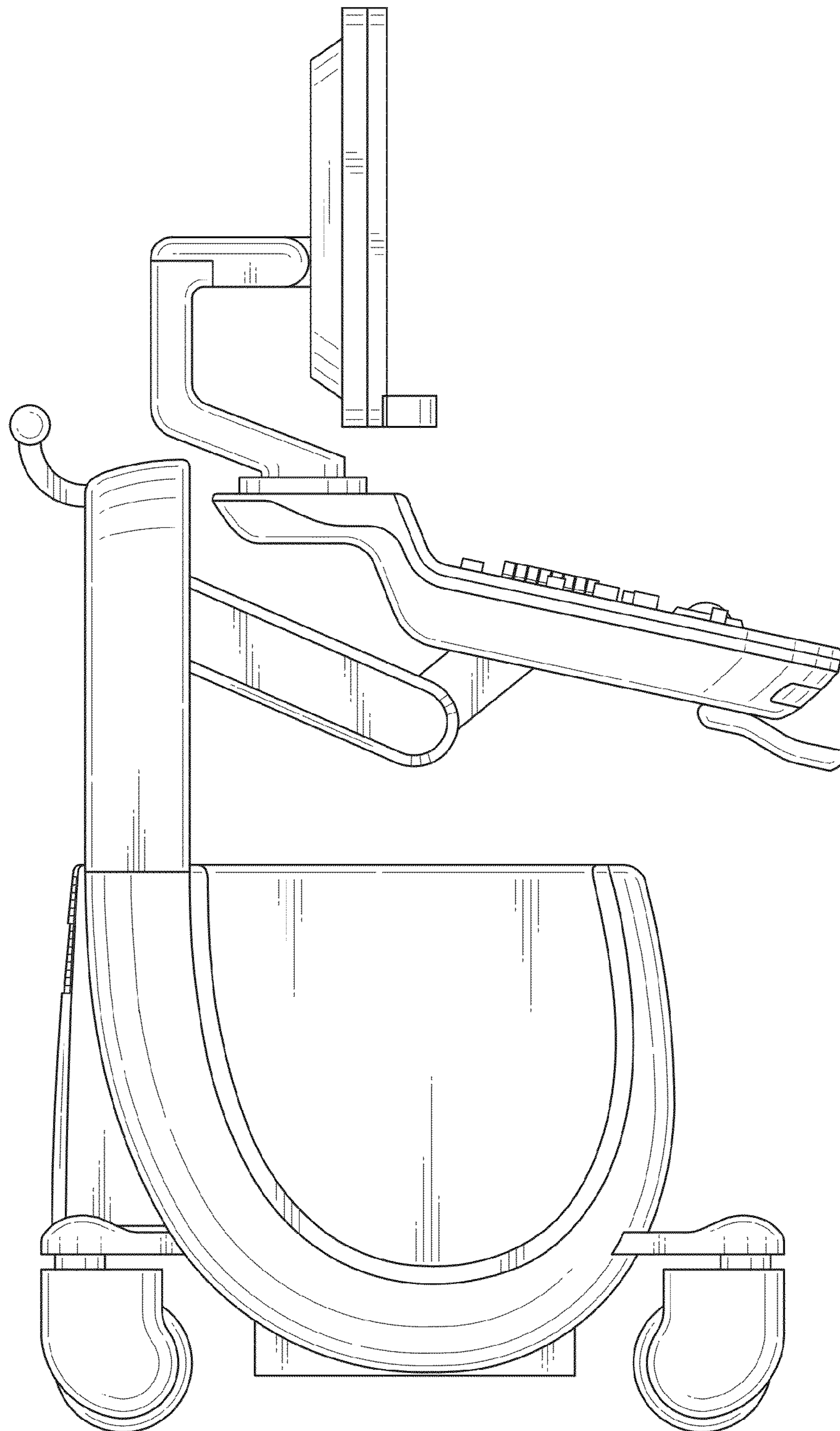


Fig. 6



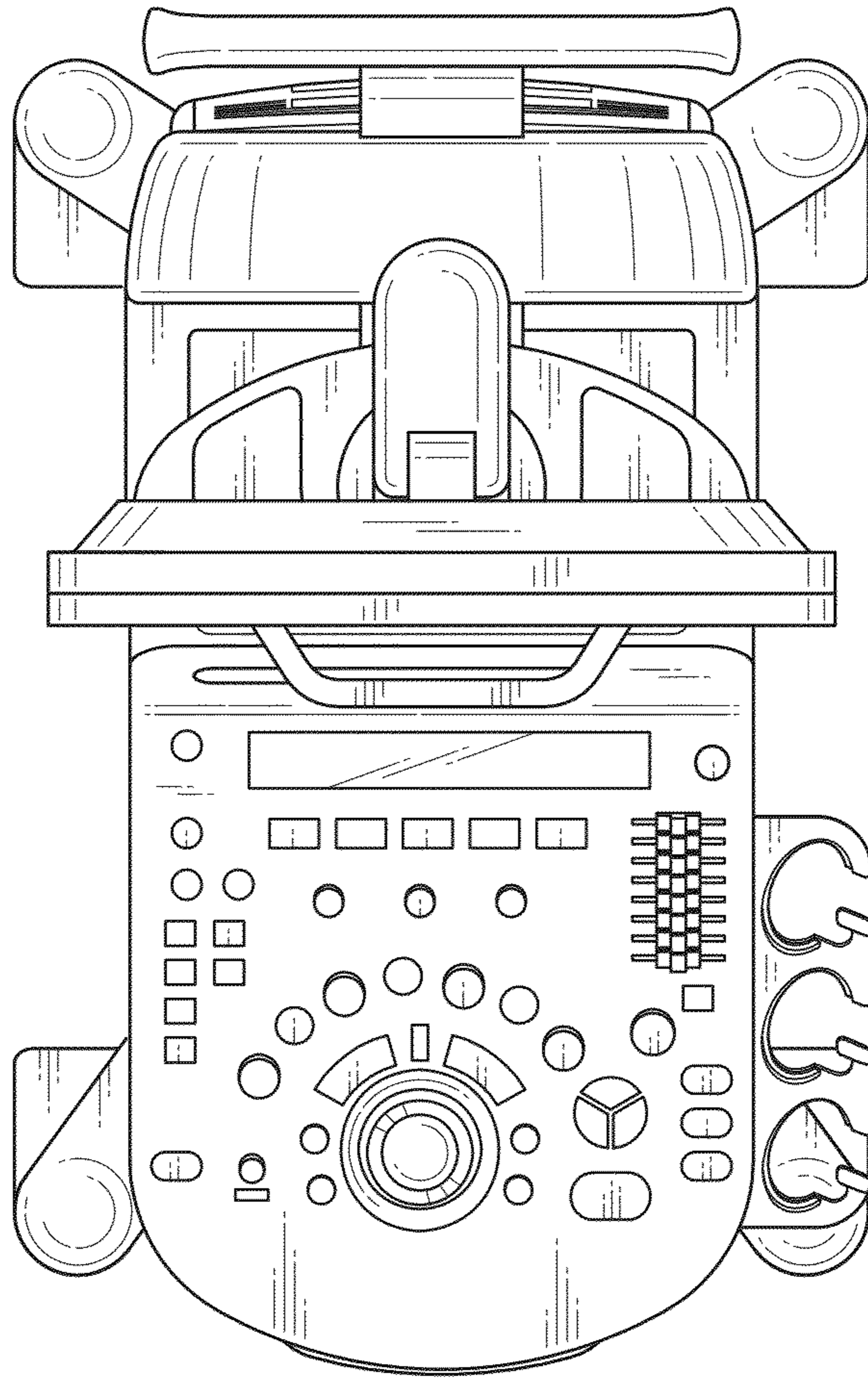


Fig. 7

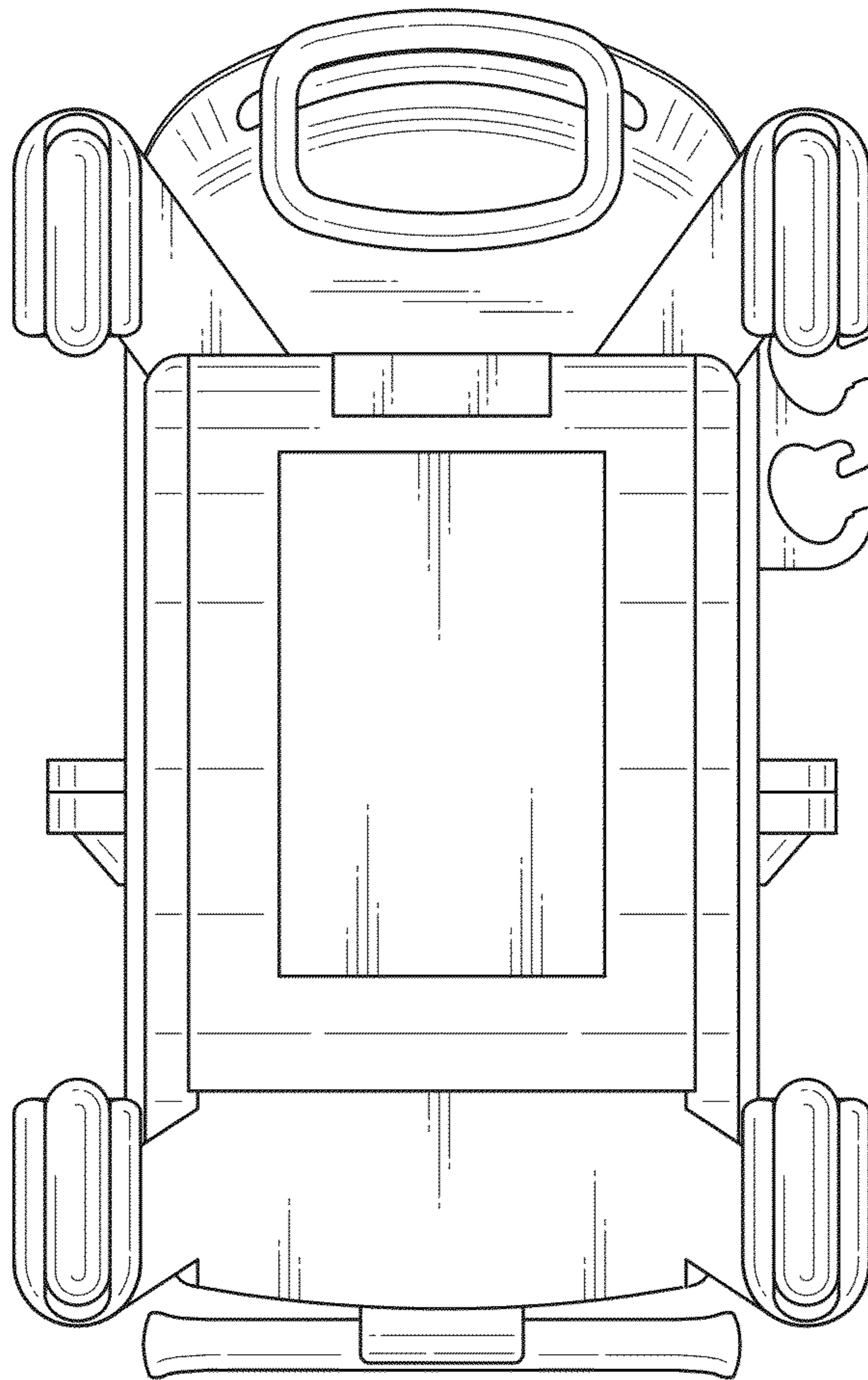


Fig. 8

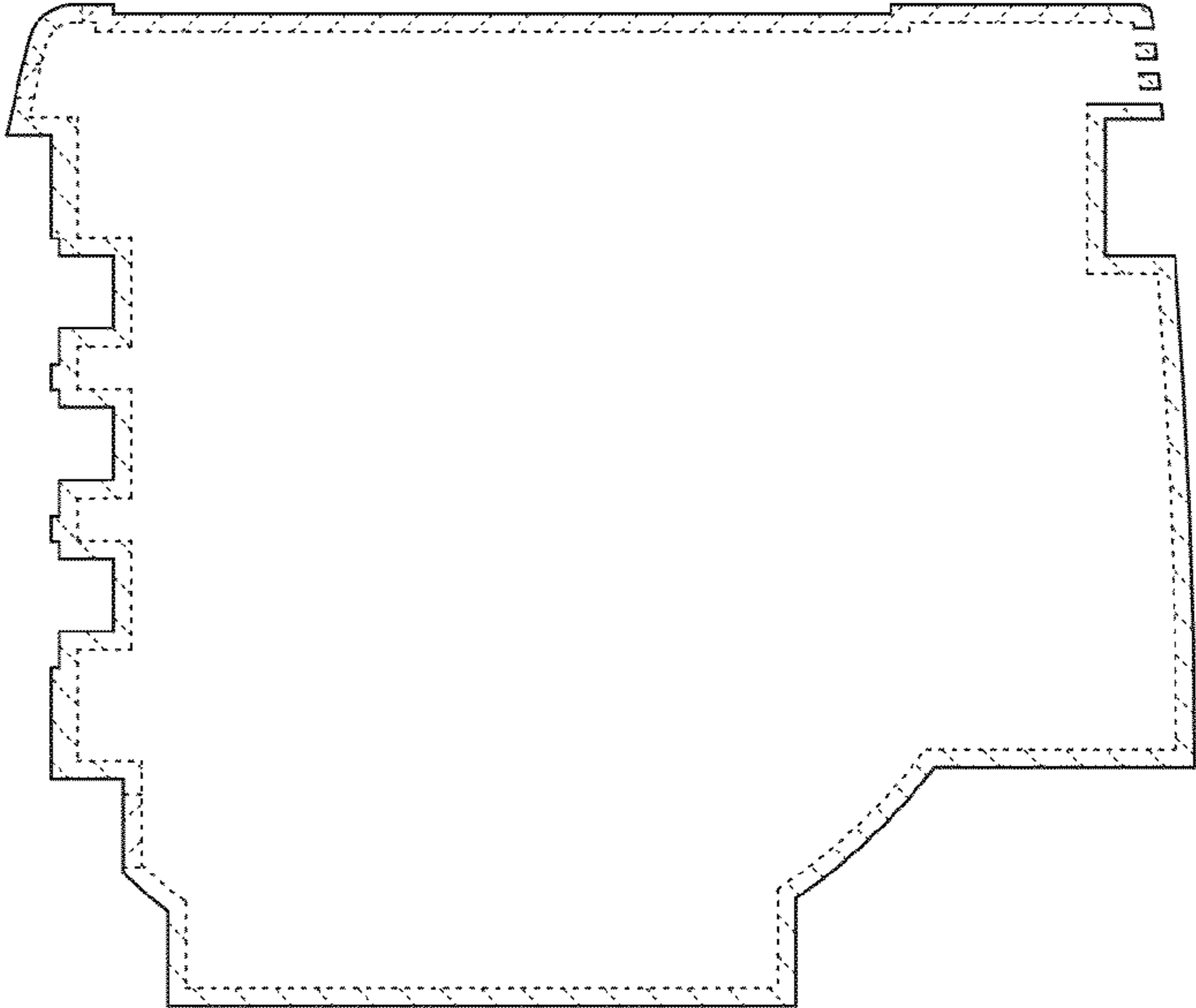
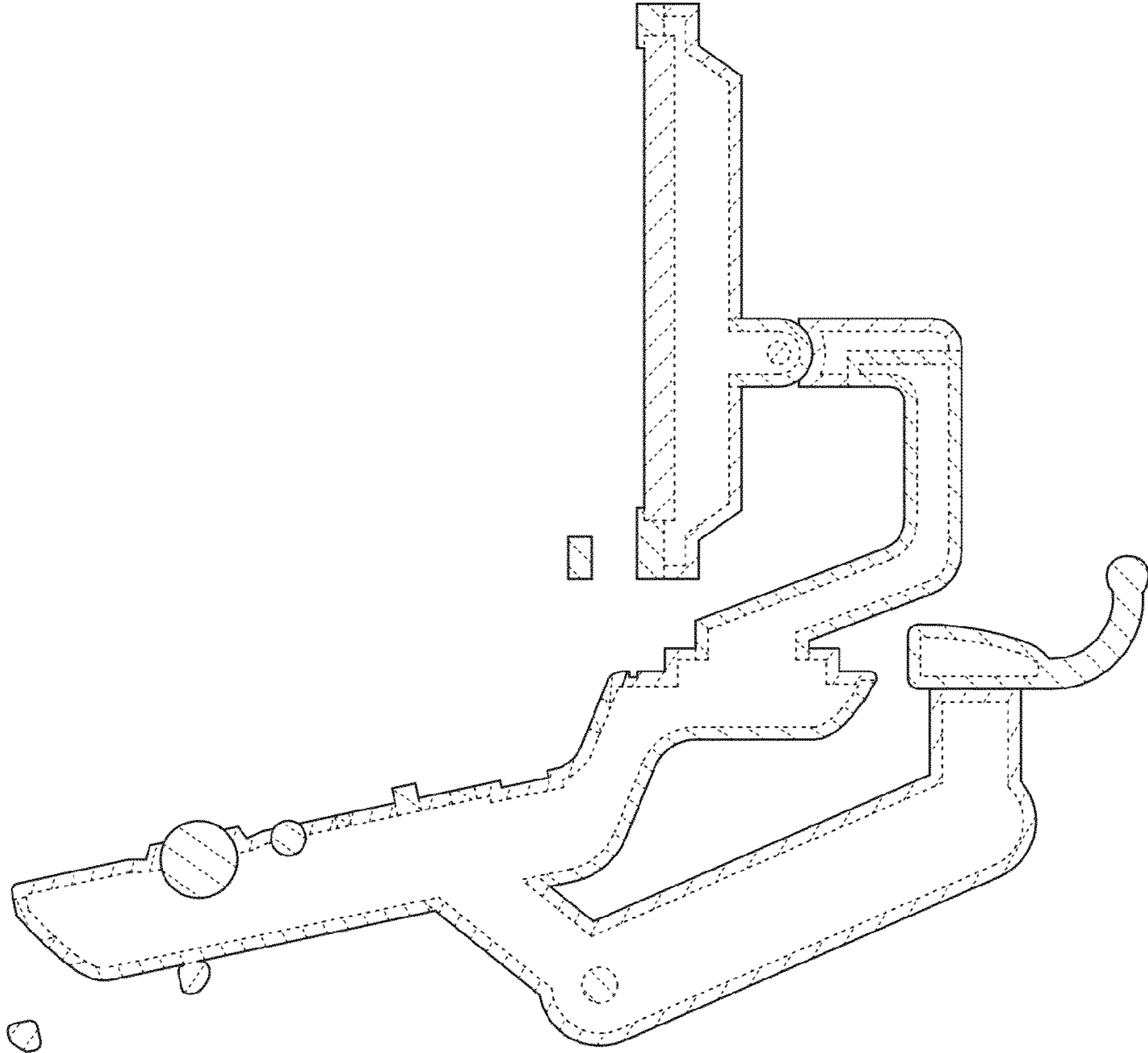


Fig. 9

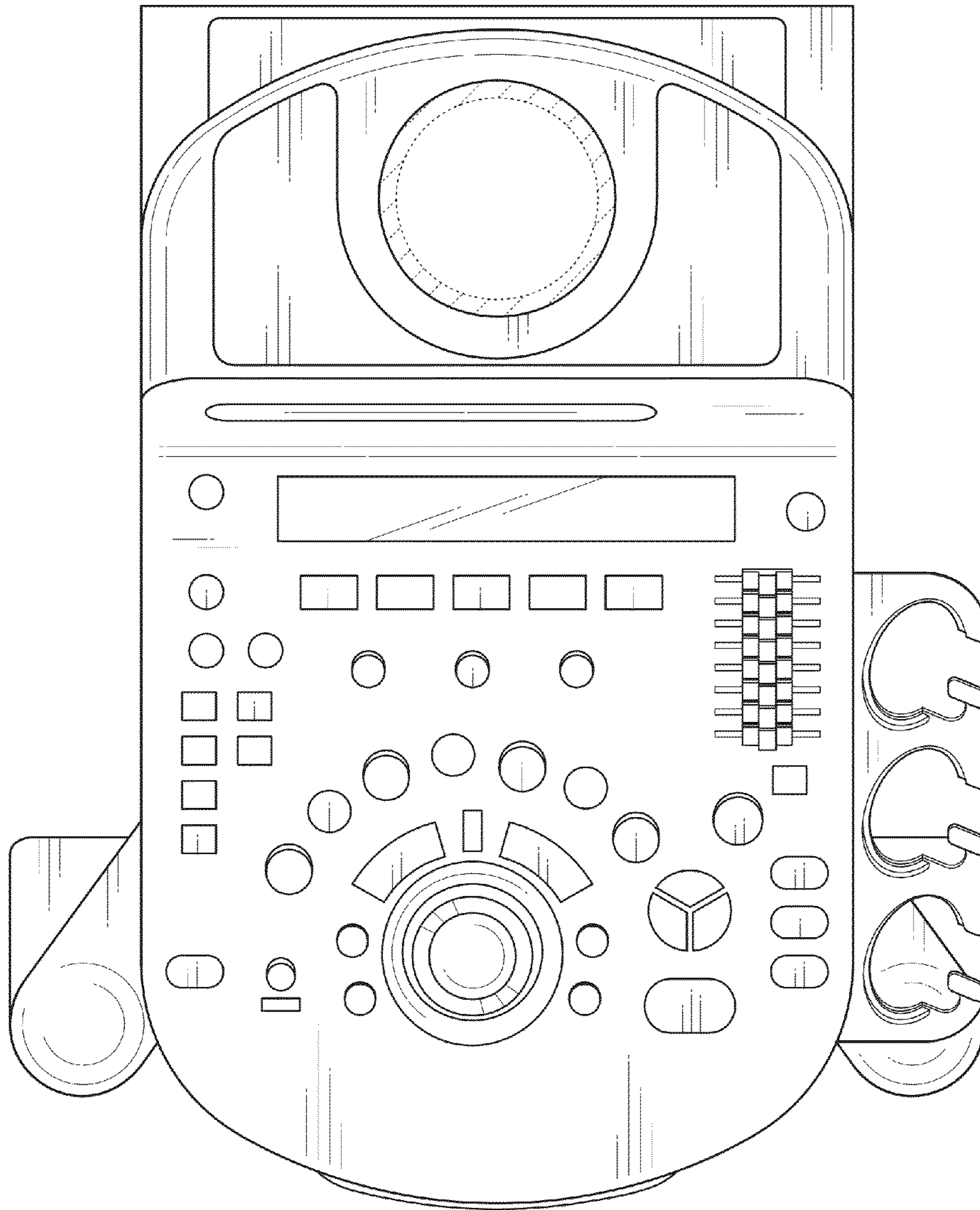


Fig. 10