



US00D726921S

(12) **United States Design Patent**
Ishihara

(10) **Patent No.:** **US D726,921 S**
(45) **Date of Patent:** **** Apr. 14, 2015**

(54) **X-RAY TUBE FOR MEDICAL DEVICE**

(56) **References Cited**

(71) Applicants: **Kabushiki Kaisha Toshiba**, Minato-ku,
Tokyo (JP); **Toshiba Electron Tubes &
Devices Co., Ltd.**, Otawara-shi, Tochigi
(JP)

U.S. PATENT DOCUMENTS

6,519,312	B1 *	2/2003	Tybinkowski et al.	378/4
7,519,157	B2 *	4/2009	Hockersmith et al.	378/121
D681,814	S *	5/2013	Nenoki	D24/158
D702,351	S *	4/2014	Li et al.	D24/158
D703,323	S *	4/2014	Hayman et al.	D24/158
D713,036	S *	9/2014	Sul	D24/158
D715,940	S *	10/2014	Li et al.	D24/158
2005/0031073	A1 *	2/2005	Radley et al.	378/47
2009/0213988	A1 *	8/2009	Chen et al.	378/47
2010/0310052	A1 *	12/2010	Seimiya	378/197

(72) Inventor: **Tomonari Ishihara**, Tochigi (JP)

* cited by examiner

(73) Assignees: **Kabushiki Kaisha Toshiba**, Tokyo (JP);
**Toshiba Electron Tubes & Devices Co.,
Ltd.**, Tochigi (JP)

Primary Examiner — Anhdao Doan

(**) Term: **14 Years**

(74) *Attorney, Agent, or Firm* — Banner & Witcoff, Ltd.

(21) Appl. No.: **29/496,663**

(57) **CLAIM**

(22) Filed: **Jul. 16, 2014**

The ornamental design for a X-ray tube for medical device, as shown and described.

(30) **Foreign Application Priority Data**

DESCRIPTION

Jan. 17, 2014 (JP) 2014-000726

(51) **LOC (10) Cl.** **24-01**

(52) **U.S. Cl.**
USPC **D24/158**

(58) **Field of Classification Search**
USPC D24/158-161, 185, 186; 378/4, 15, 17,
378/21, 23-27, 62, 68, 196-198, 121, 147;
600/407, 409, 410, 415, 421, 422, 425

FIG. 1 is a perspective view of a X-ray tube for medical device showing my new design,
FIG. 2 is a rear perspective view thereof,
FIG. 3 is a front elevational view thereof,
FIG. 4 is a rear elevational view thereof,
FIG. 5 is a left side elevational view thereof,
FIG. 6 is a right side elevational view thereof,
FIG. 7 is a top plan view thereof; and,
FIG. 8 is a bottom plan view thereof.

See application file for complete search history.

1 Claim, 8 Drawing Sheets

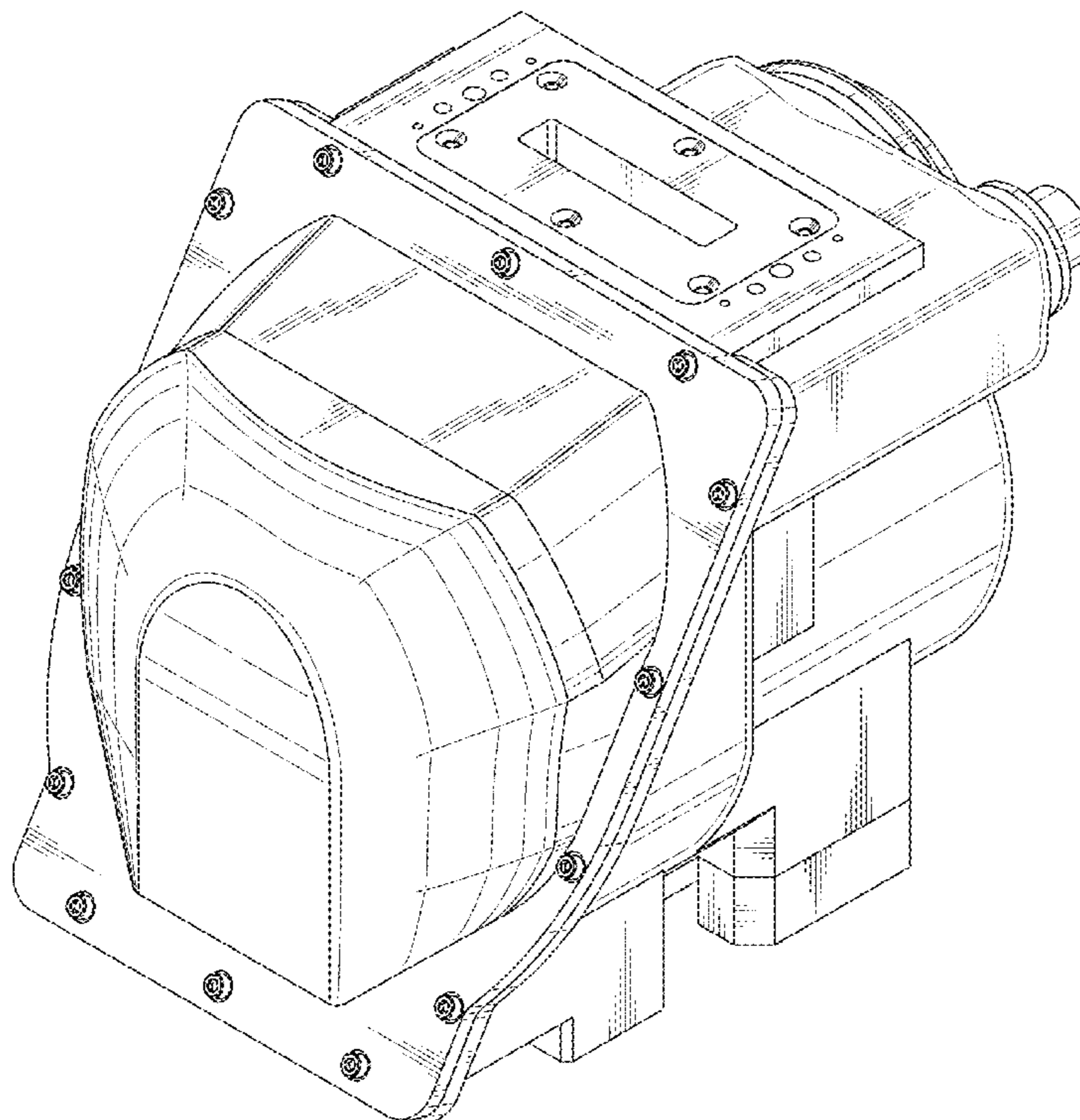


Fig. 1

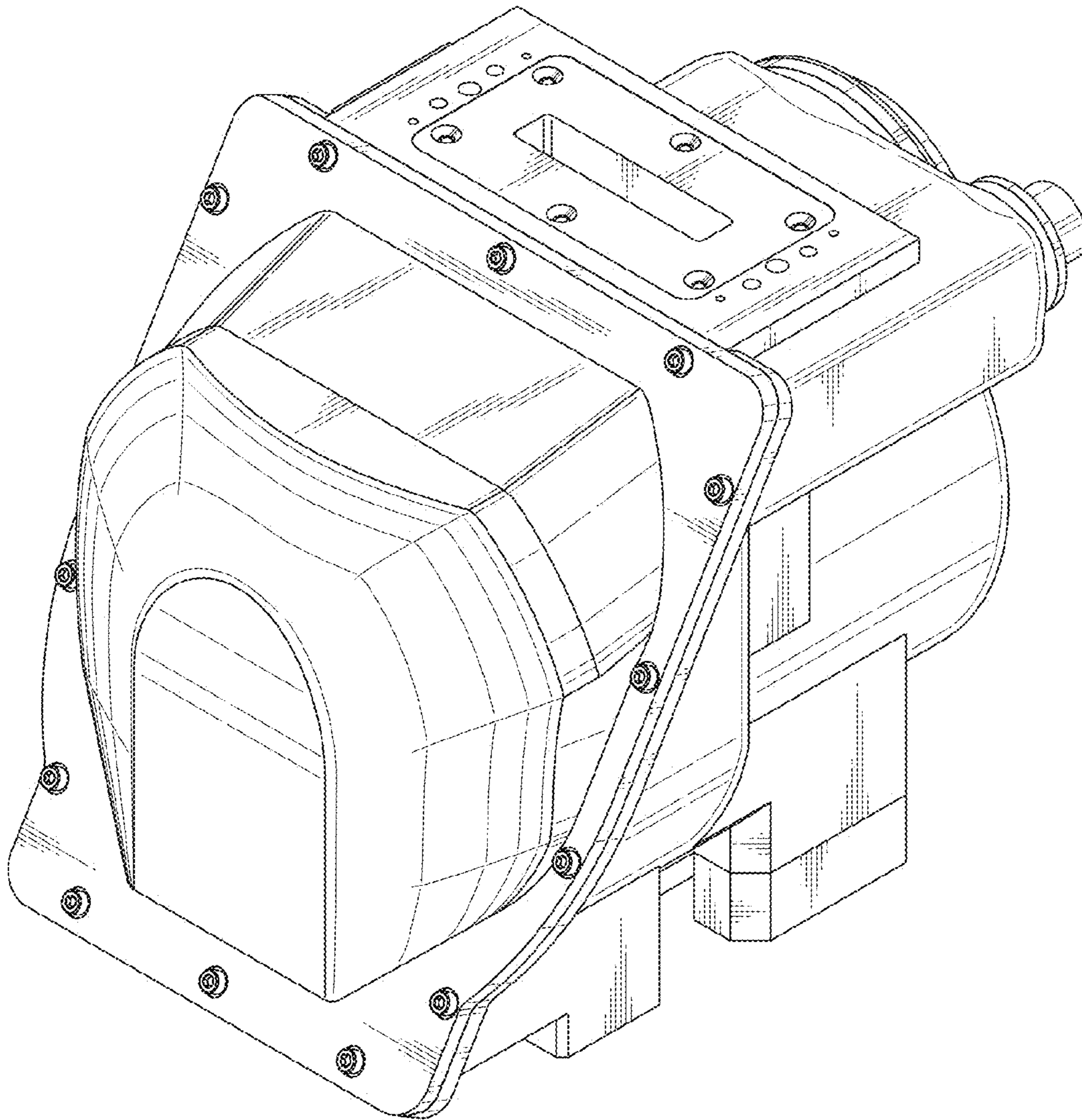


Fig. 2

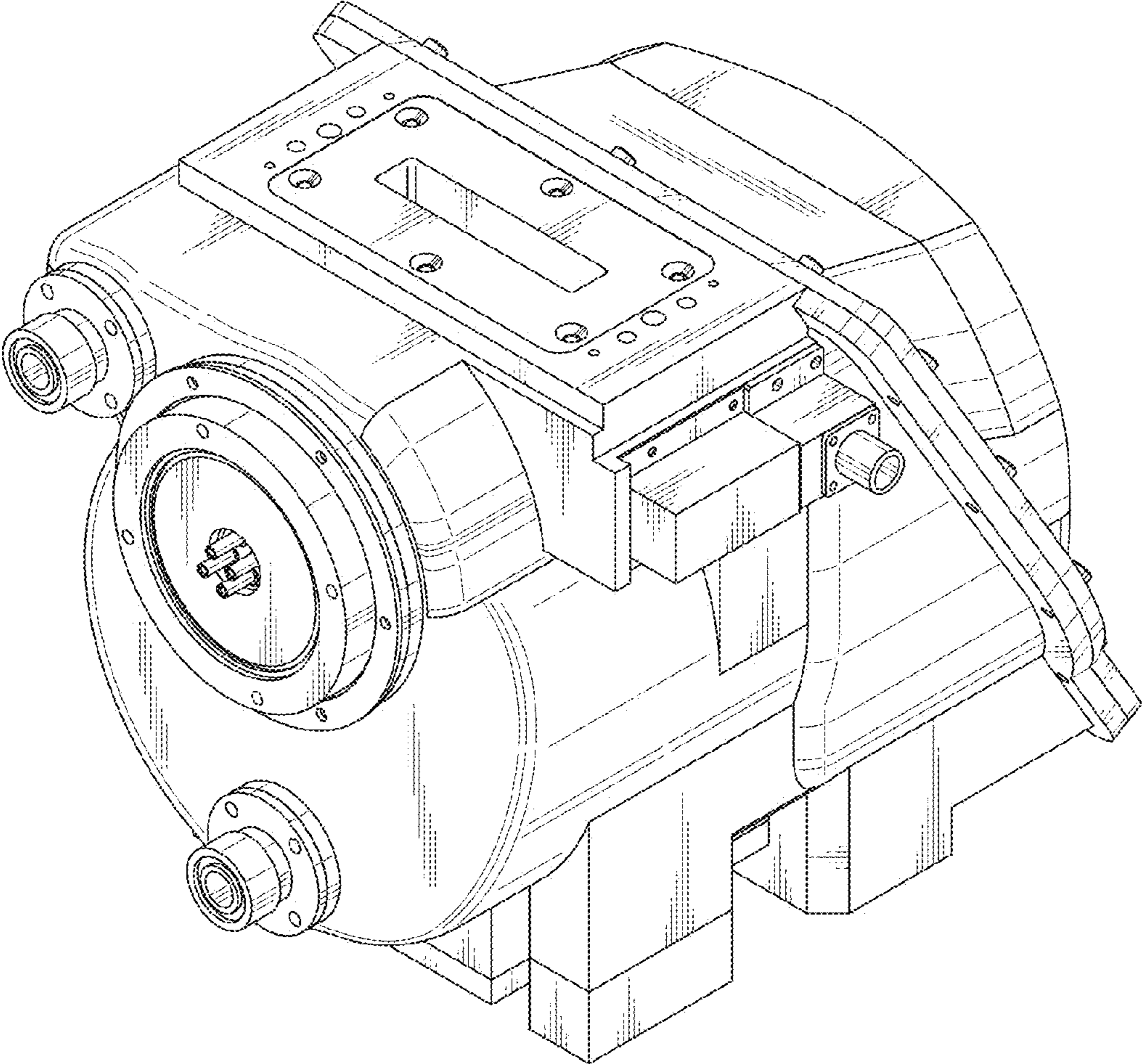


Fig. 3

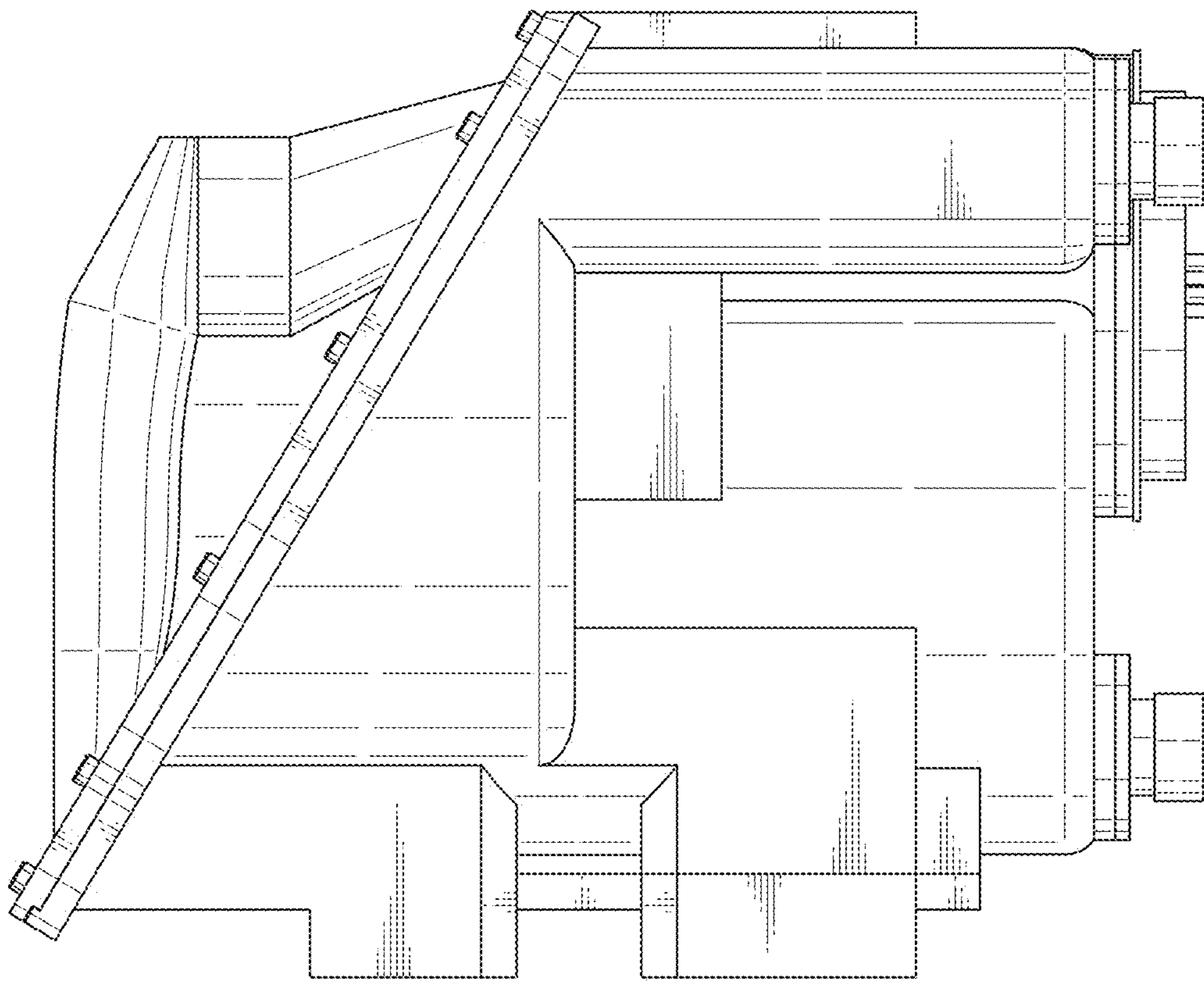


Fig. 4

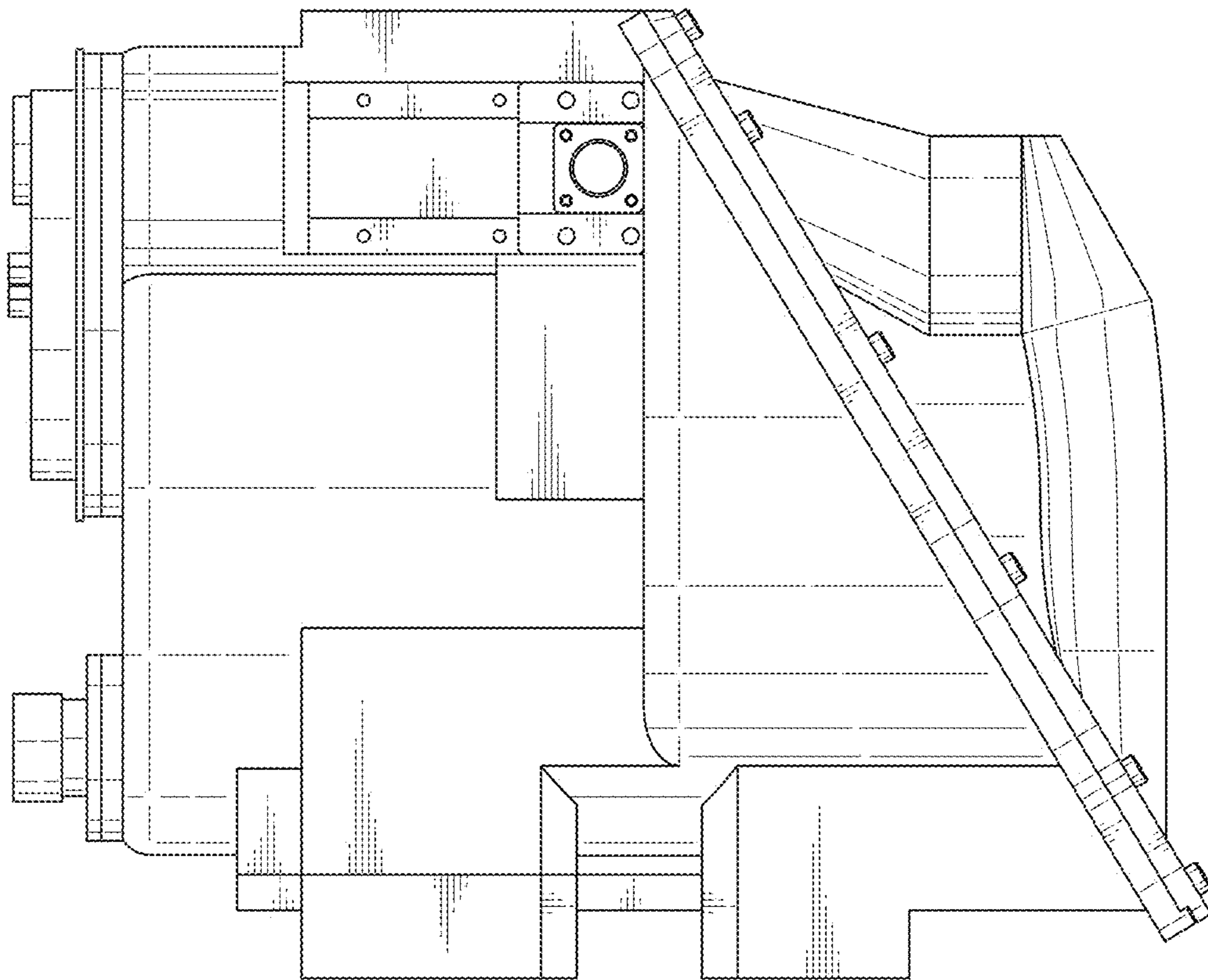


Fig. 5

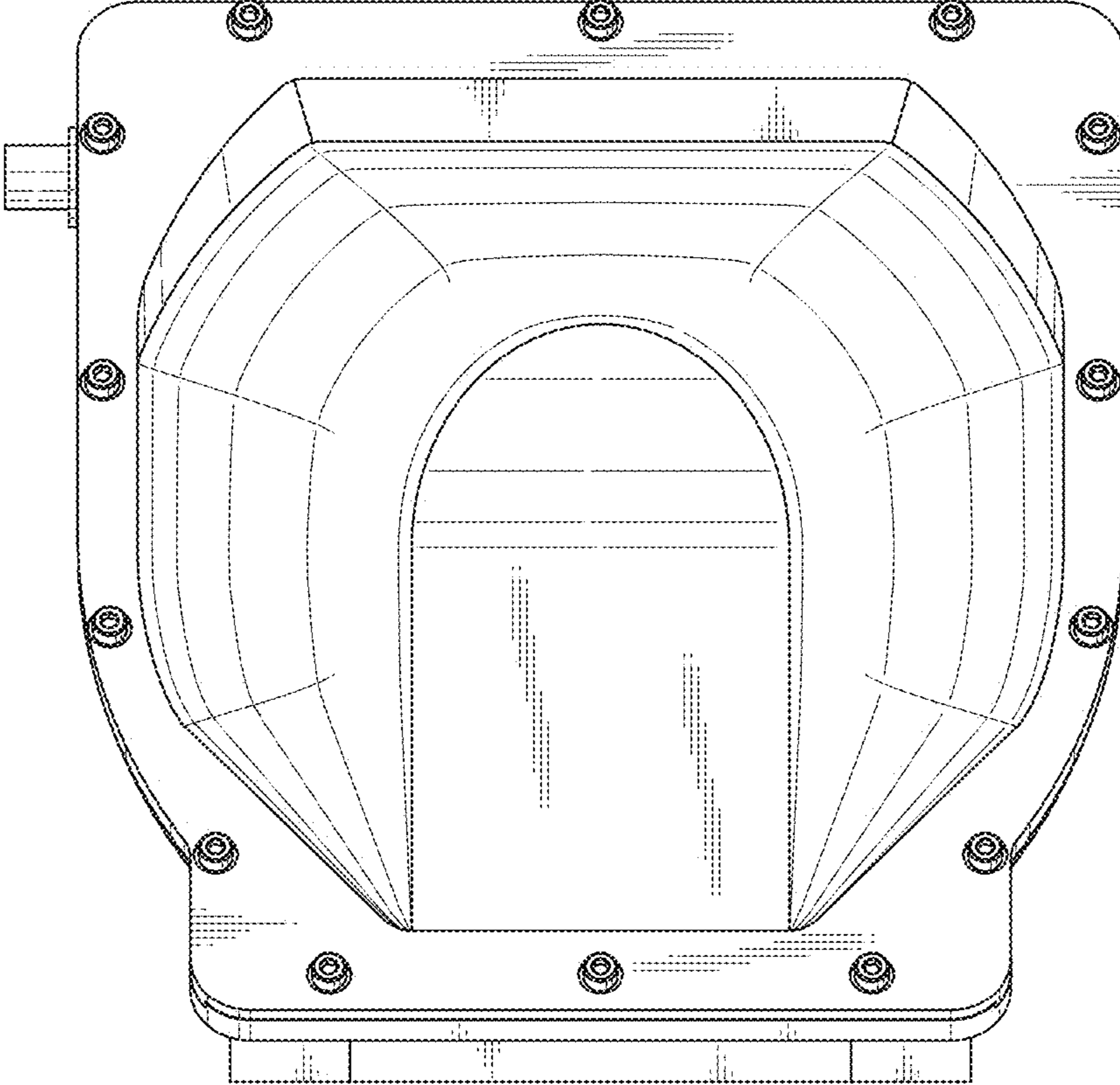


Fig. 6

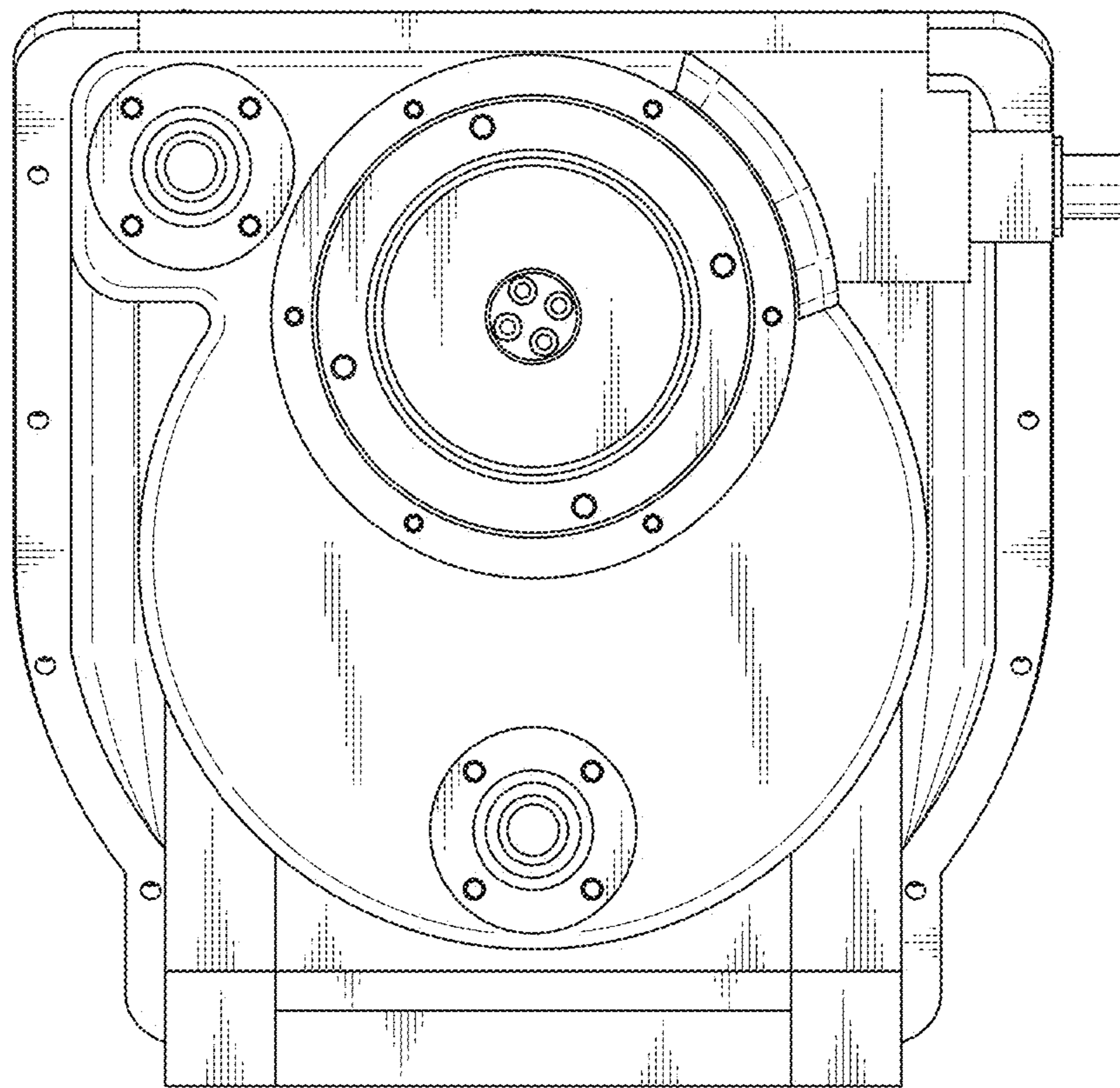


Fig. 7

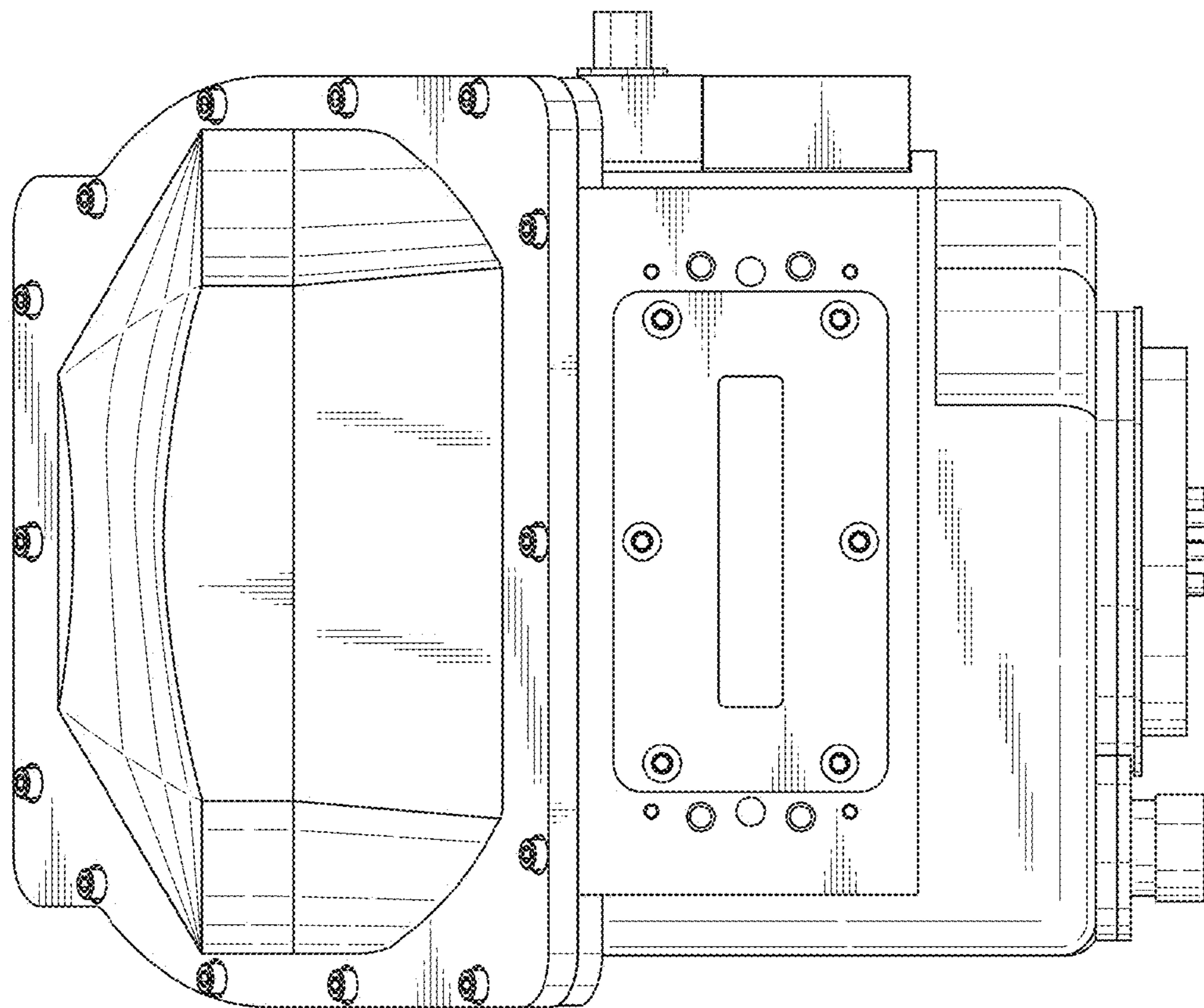


Fig. 8

