



US00D726919S

(12) **United States Design Patent**
Doerre

(10) **Patent No.:** **US D726,919 S**
(45) **Date of Patent:** **** Apr. 14, 2015**

(54) **OPERATING MODULE**

(71) Applicant: **Siemens Aktiengesellschaft**, Munich (DE)

(72) Inventor: **Helmut Doerre**, Nuremberg (DE)

(73) Assignee: **Siemens Aktiengesellschaft**, Munich (DE)

(**) Term: **14 Years**

(21) Appl. No.: **29/491,733**

(22) Filed: **May 23, 2014**

(30) **Foreign Application Priority Data**

Nov. 26, 2013 (EM) 001393029

(51) **LOC (10) Cl.** **24-01**

(52) **U.S. Cl.**
USPC **D24/158**

(58) **Field of Classification Search**
USPC D24/158-161, 185, 186; 378/4, 15, 17, 378/21, 23-27, 62, 68, 196-198; 600/407, 600/409, 410, 415, 421, 422, 425; D13/162, 164, 171; D14/388, 412, D14/443; D21/331-333
See application file for complete search history.

(56) **References Cited**

U.S. PATENT DOCUMENTS

D417,001 S * 11/1999 Chikuma D24/158
D432,995 S * 10/2000 Hubler et al. D13/162
D545,434 S * 6/2007 Ogiwara D24/158
D550,359 S * 9/2007 Ogiwara D24/158
D658,184 S * 4/2012 Chang et al. D21/333

D698,357 S * 1/2014 Mainville et al. D14/412
2009/0062638 A1 * 3/2009 Quact-Faslem et al. 600/407

* cited by examiner

Primary Examiner — Anhdao Doan
(74) *Attorney, Agent, or Firm* — Schiff Hardin LLP

(57) **CLAIM**
The ornamental design for an operating module, as shown and described.

DESCRIPTION

FIG. 1 is a rear elevational view of a first embodiment of an operating module;
FIG. 2 is a front elevational view of the operating module of FIG. 1;
FIG. 3 is a top plan view of the operating module of FIG. 1;
FIG. 4 is a bottom plan view of the operating module of FIG. 1;
FIG. 5 is a left side elevational view of the operating module of FIG. 1;
FIG. 6 is a right side elevational view of the operating module of FIG. 1;
FIG. 7 is a perspective view from a direction between the rear and left side of the operating module of FIG. 1;
FIG. 8 is a rear elevational view of a second embodiment of an operating module;
FIG. 9 is a front elevational view of the operating module of FIG. 8;
FIG. 10 is a top plan view of the operating module of FIG. 8;
FIG. 11 is a bottom plan view of the operating module of FIG. 8;
FIG. 12 is a left side elevational view of the operating module of FIG. 8;
FIG. 13 is a right side elevational view of the operating module of FIG. 8; and,
FIG. 14 is a perspective view from a direction between the rear and left side of the operating module of FIG. 8.

1 Claim, 14 Drawing Sheets

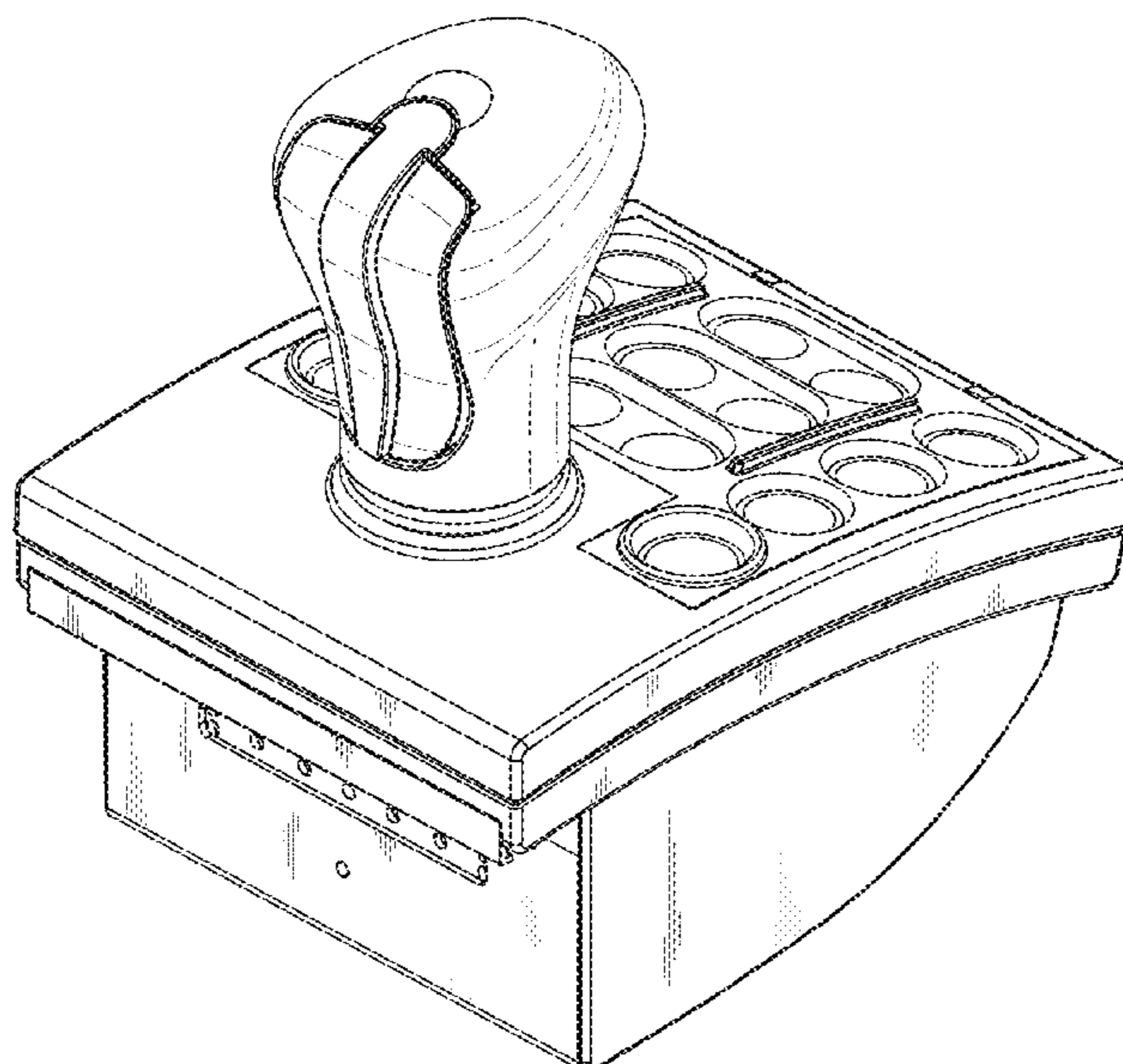


FIG. 1

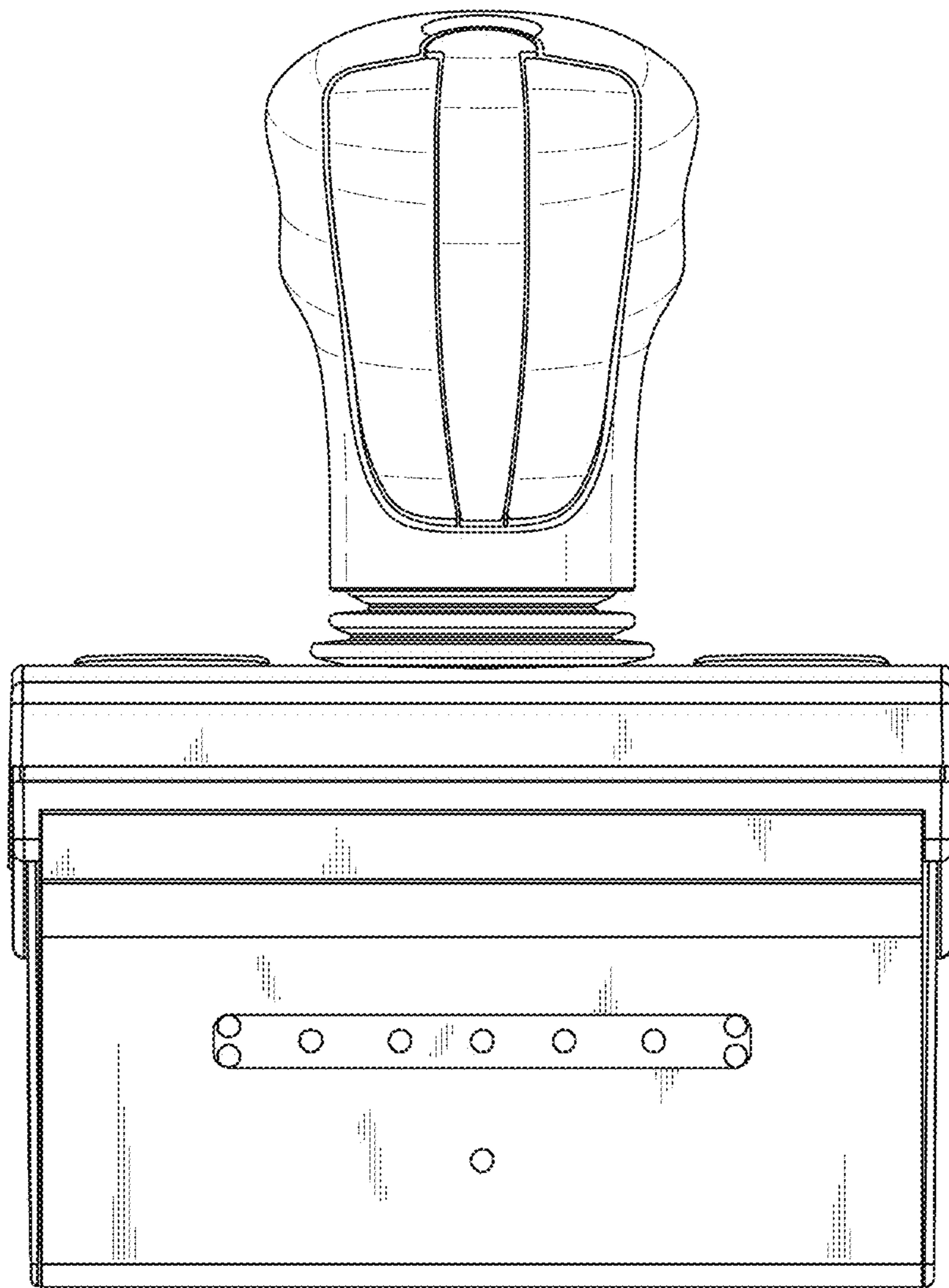


FIG. 2

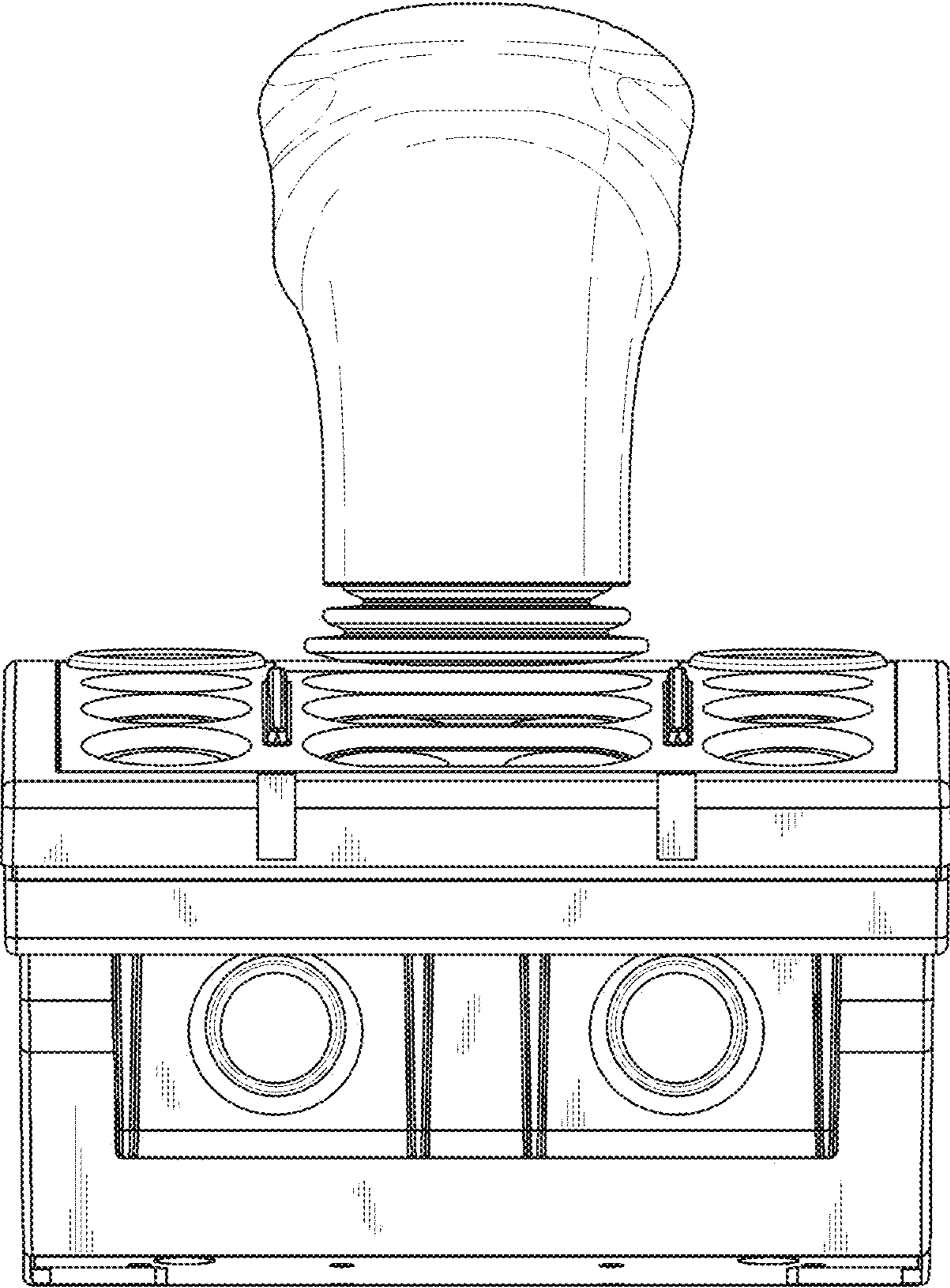


FIG. 3

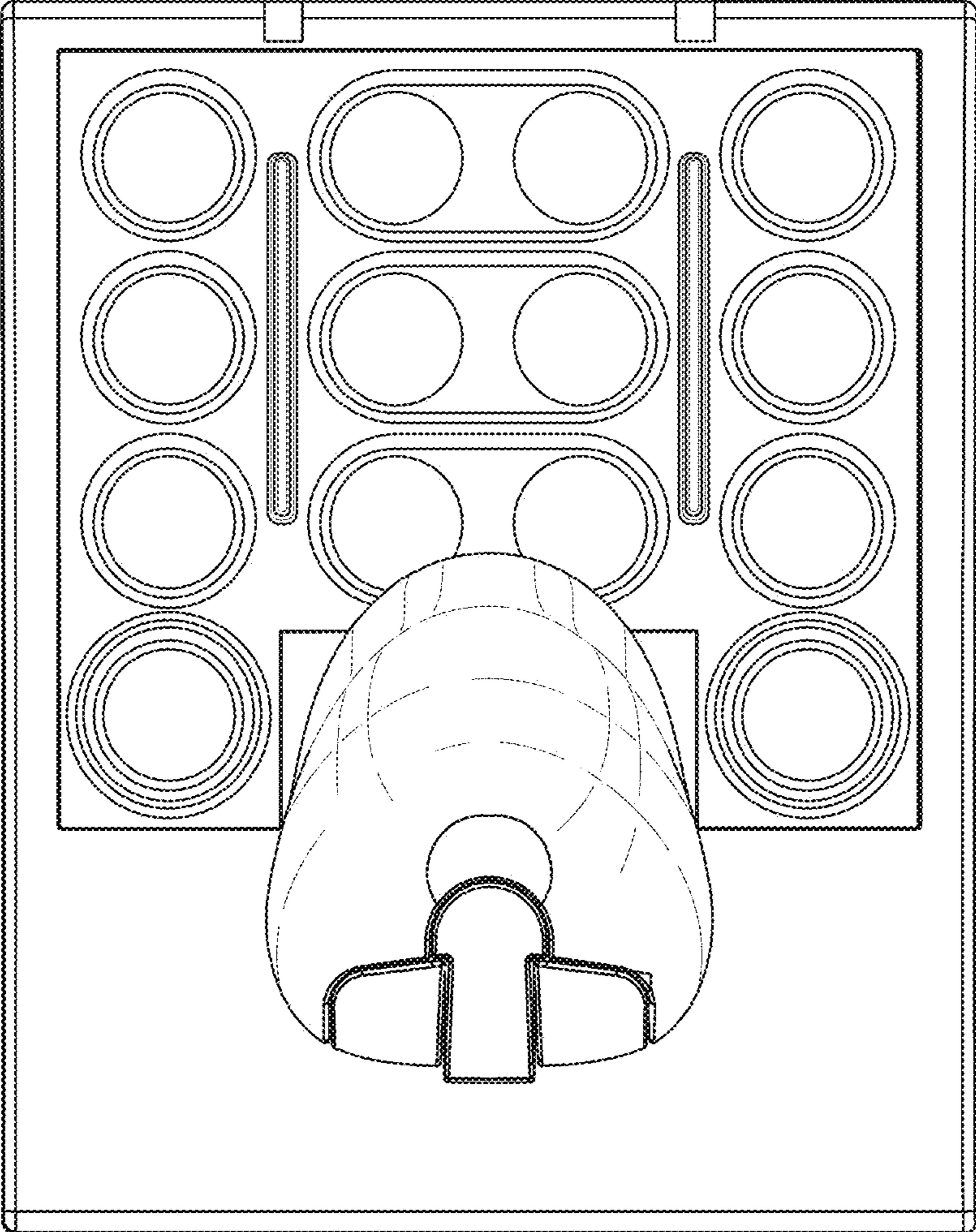


FIG. 4

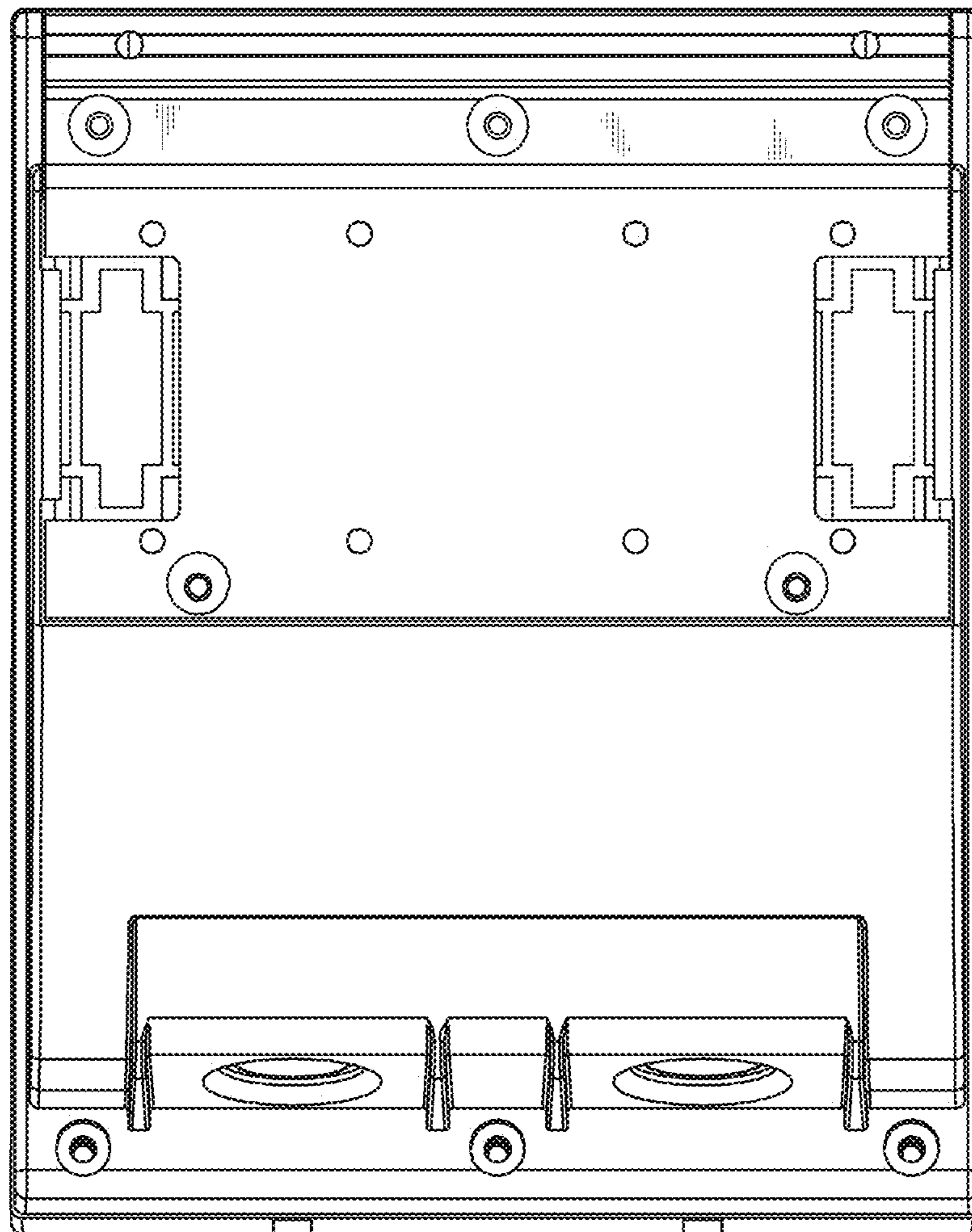


FIG. 5

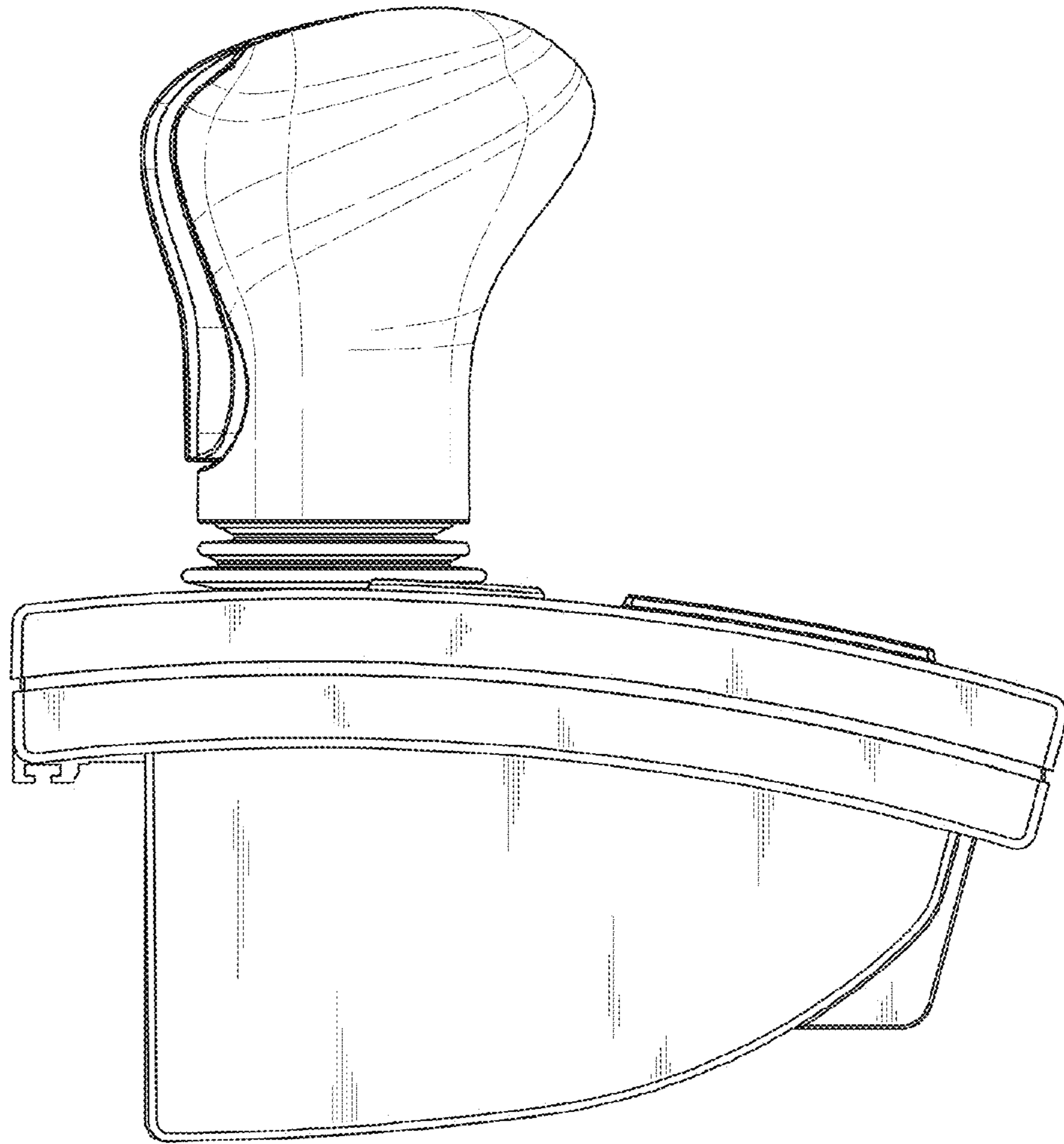


FIG. 6

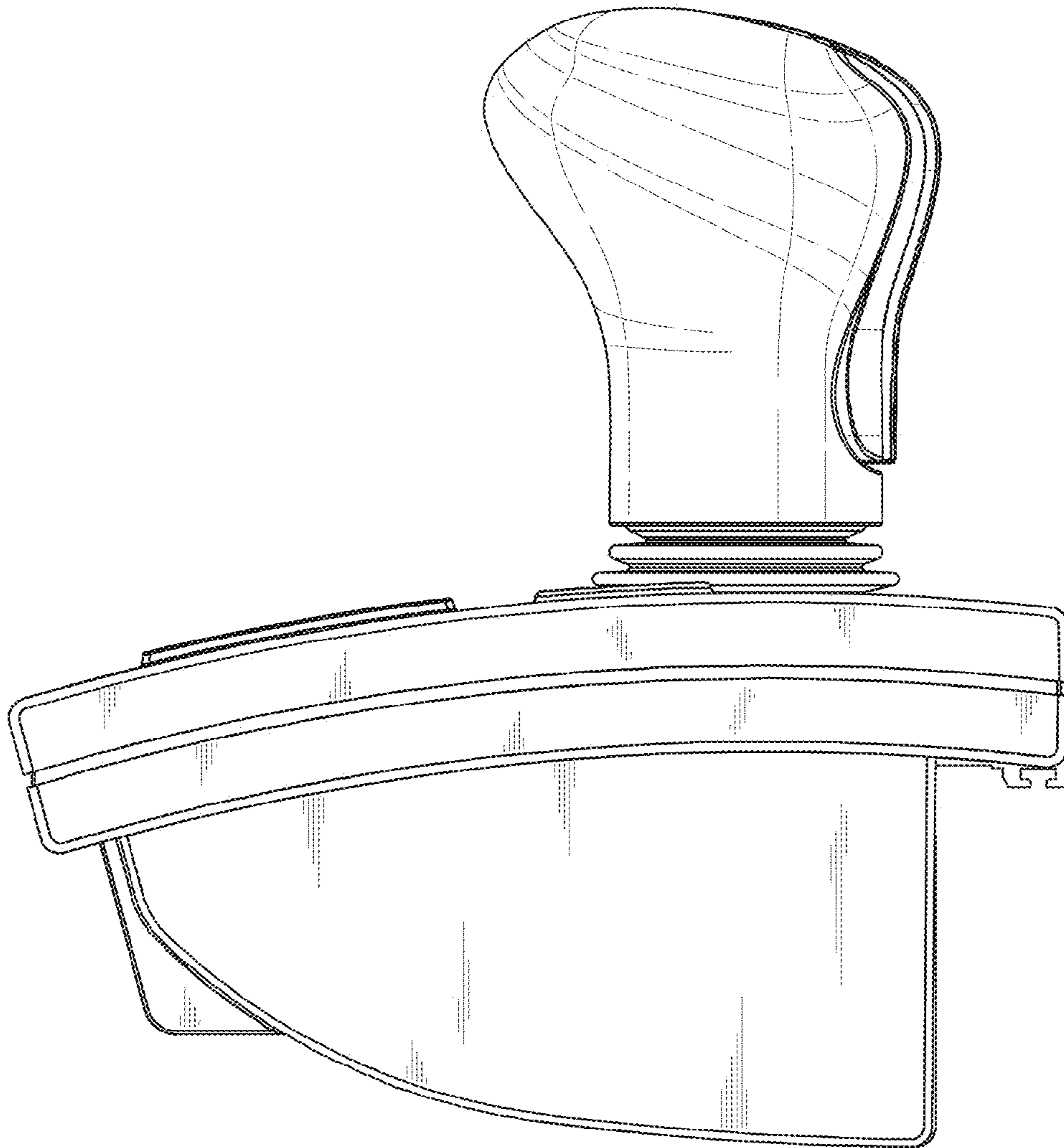


FIG. 7

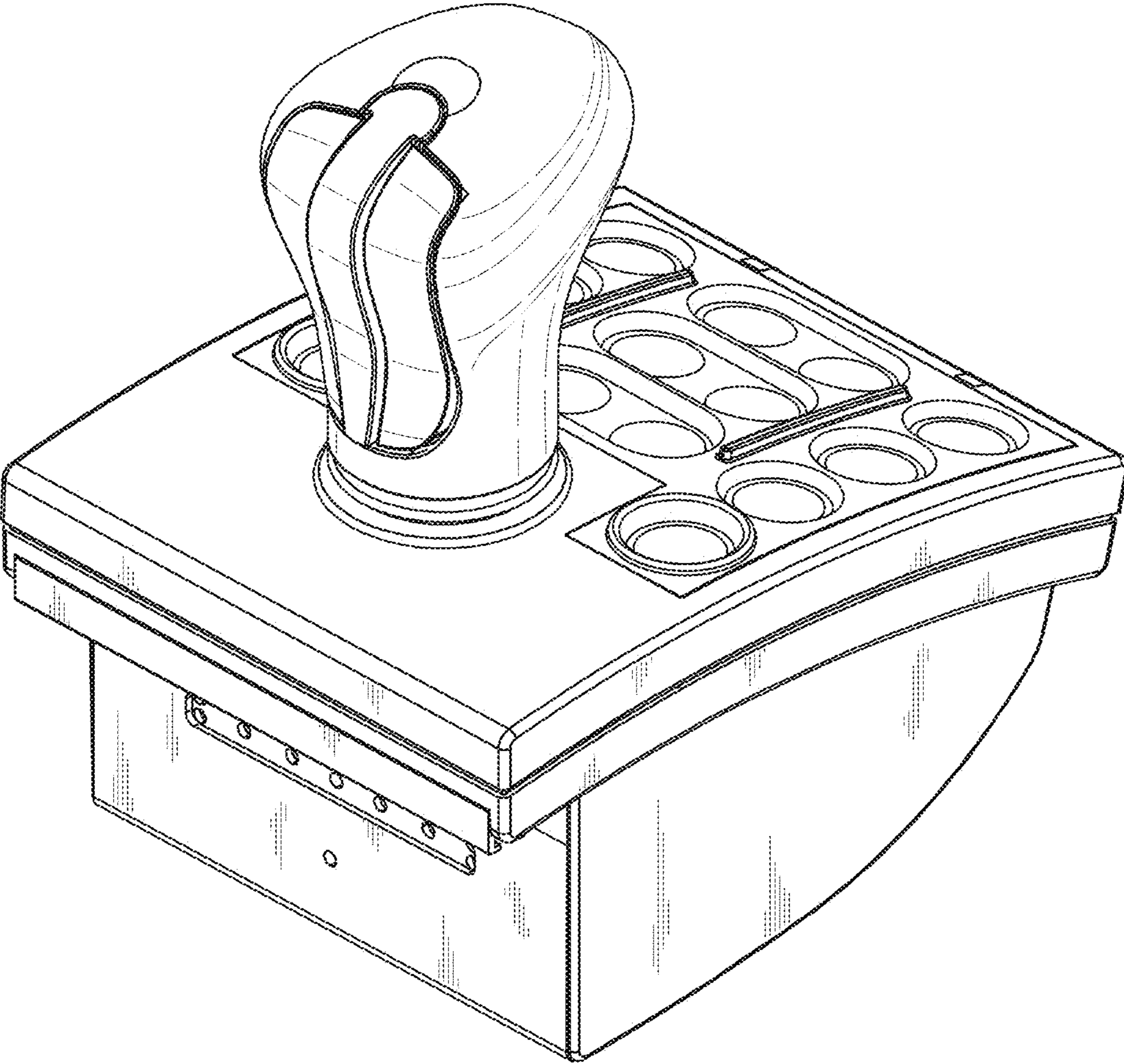


FIG. 8

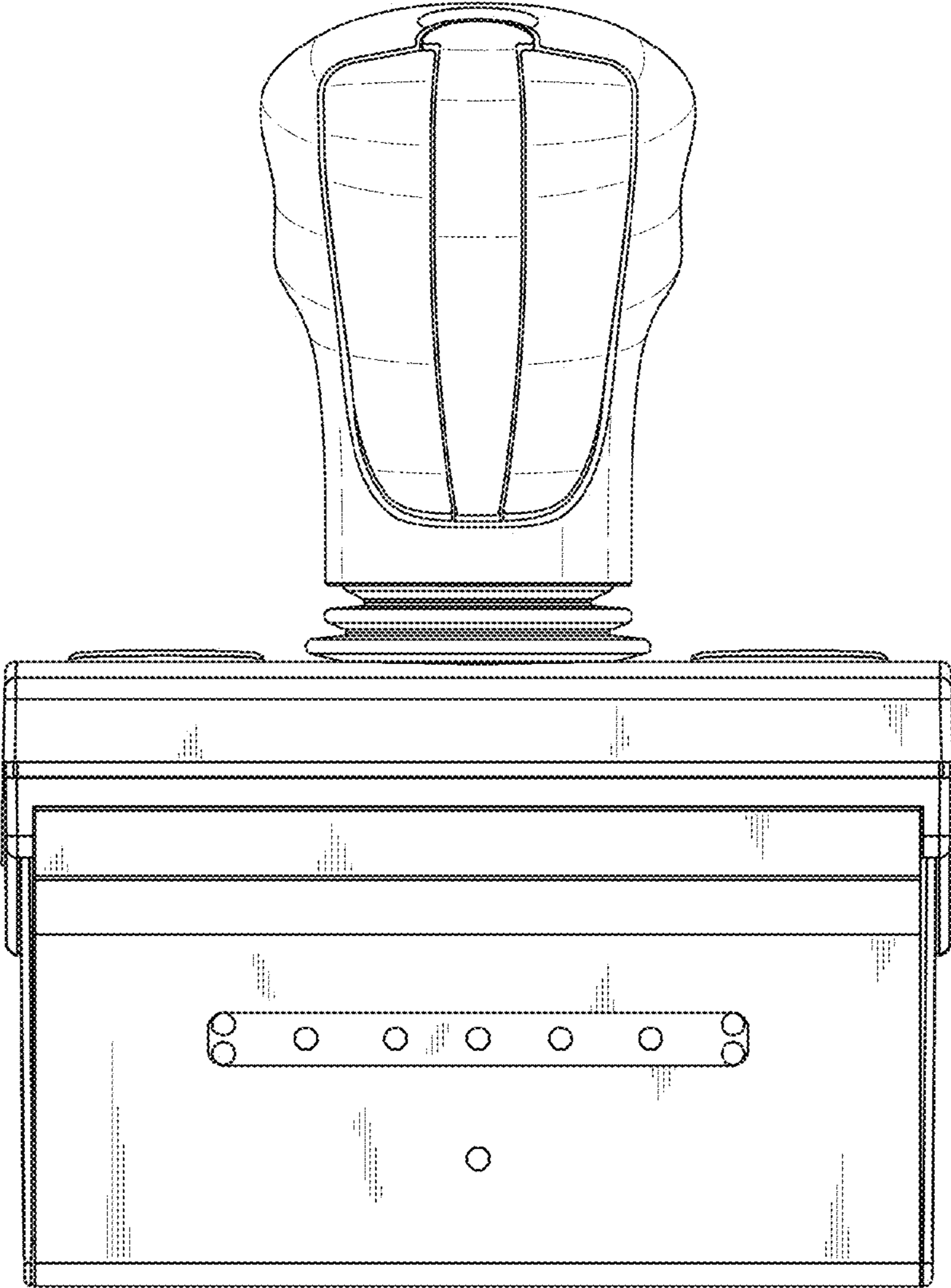


FIG. 9

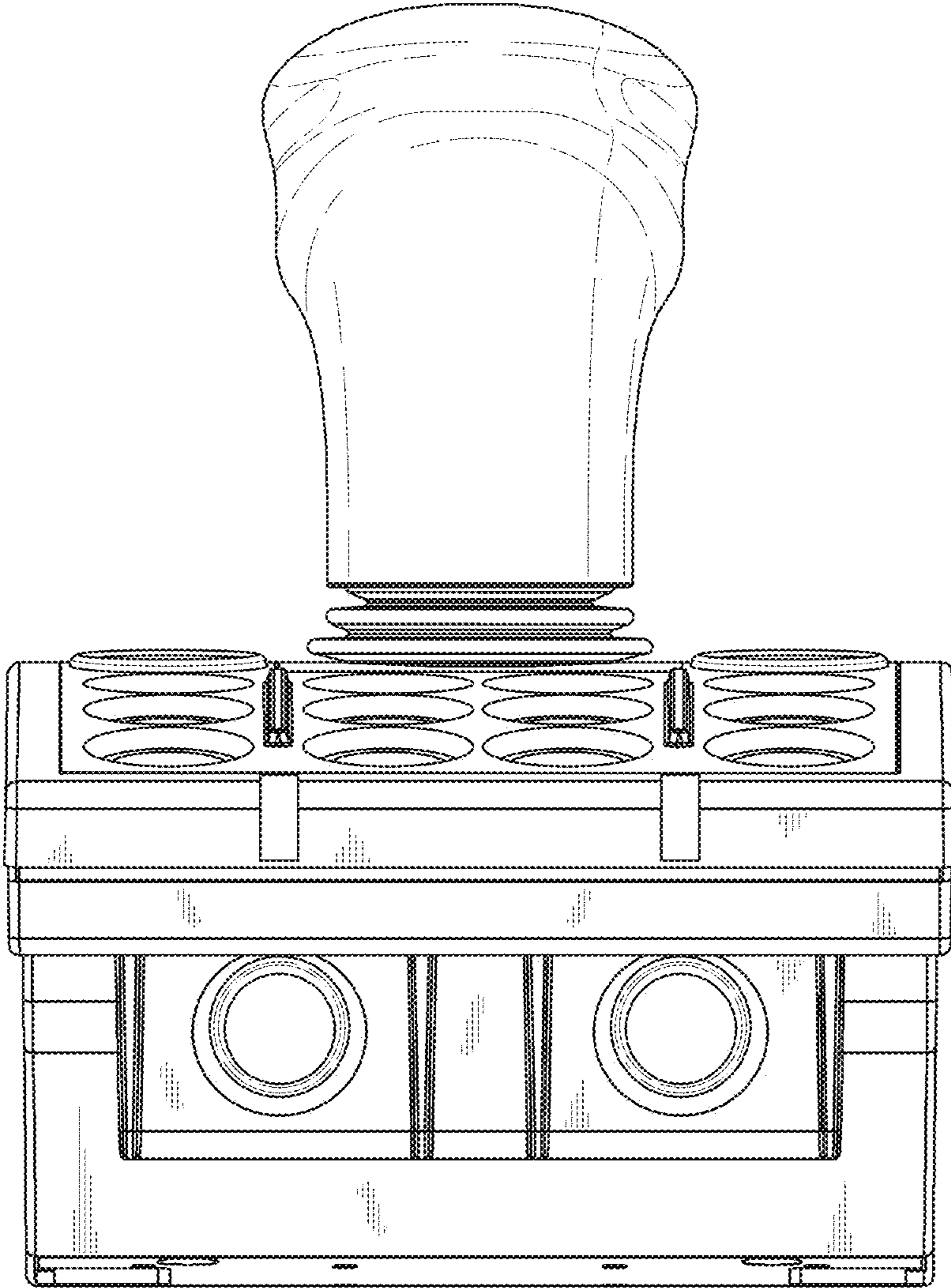


FIG. 10

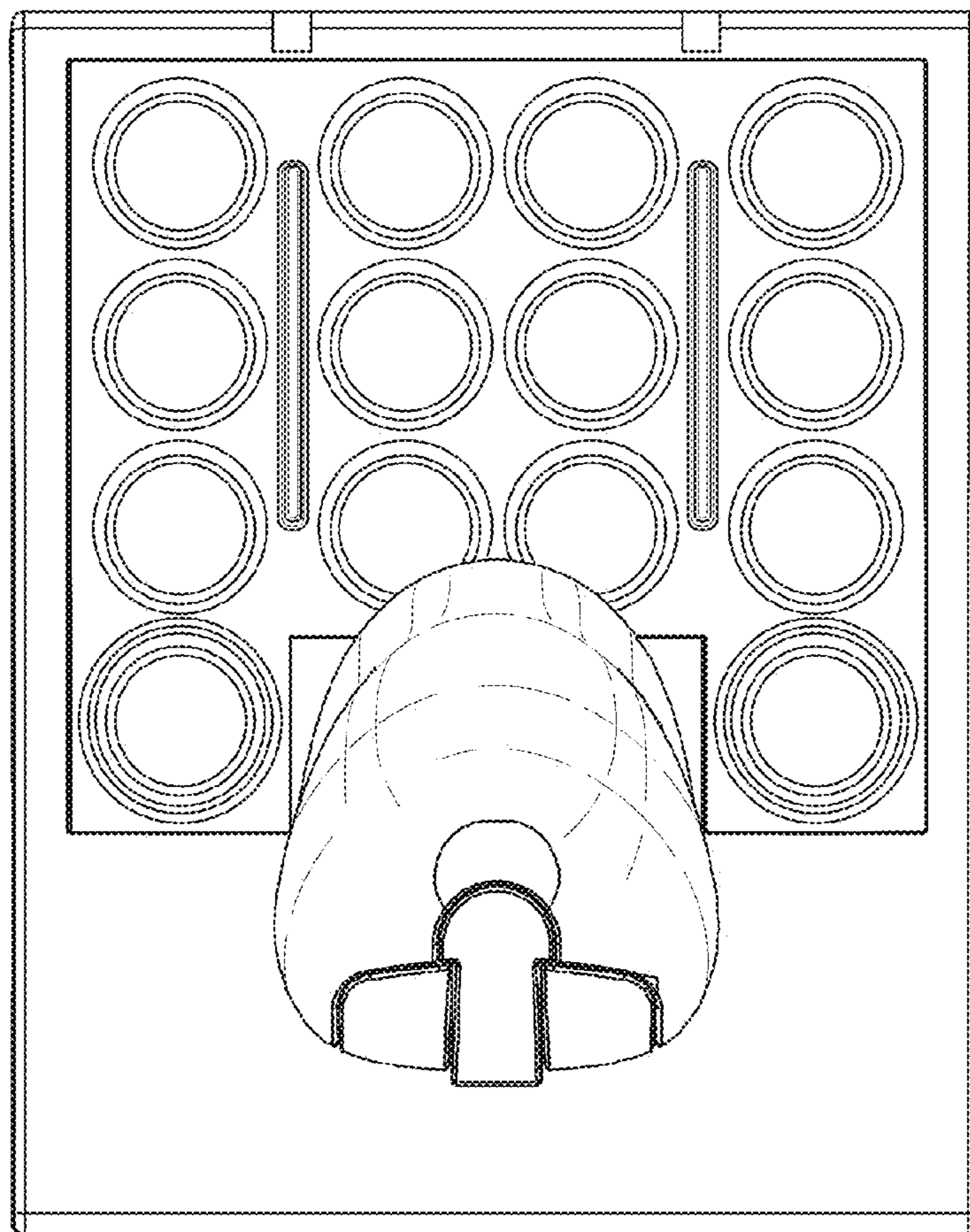


FIG. 11

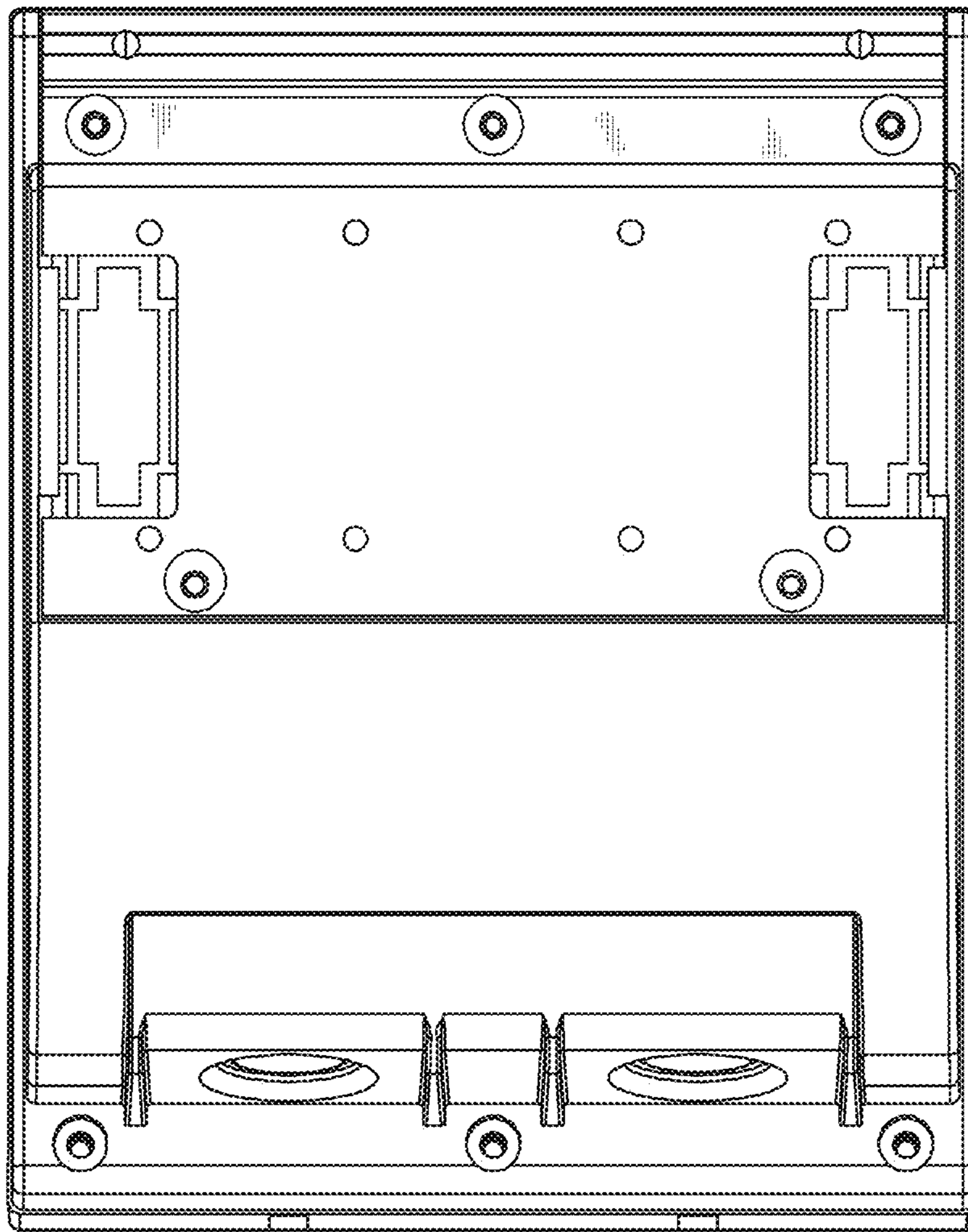


FIG. 12

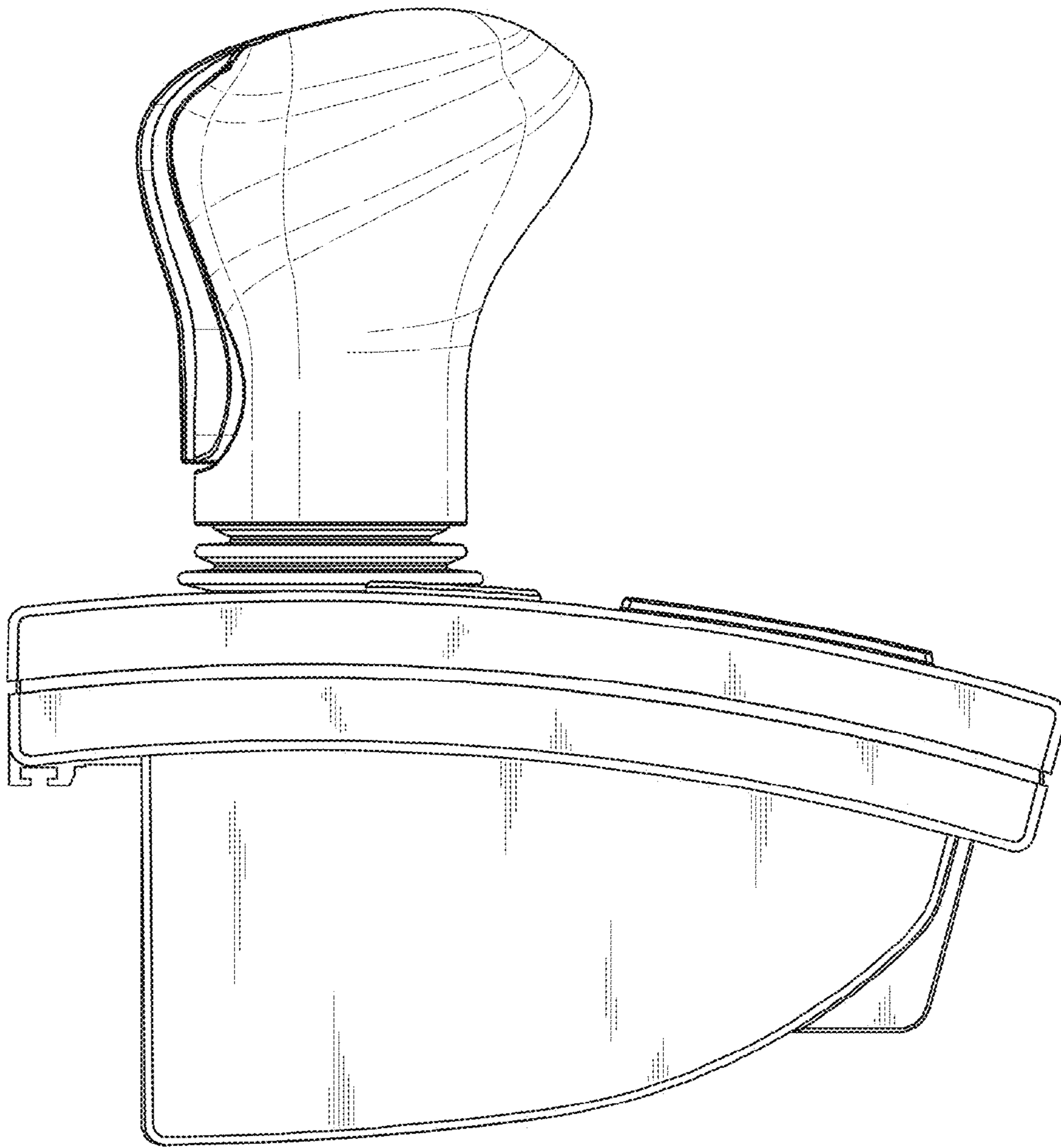


FIG. 13

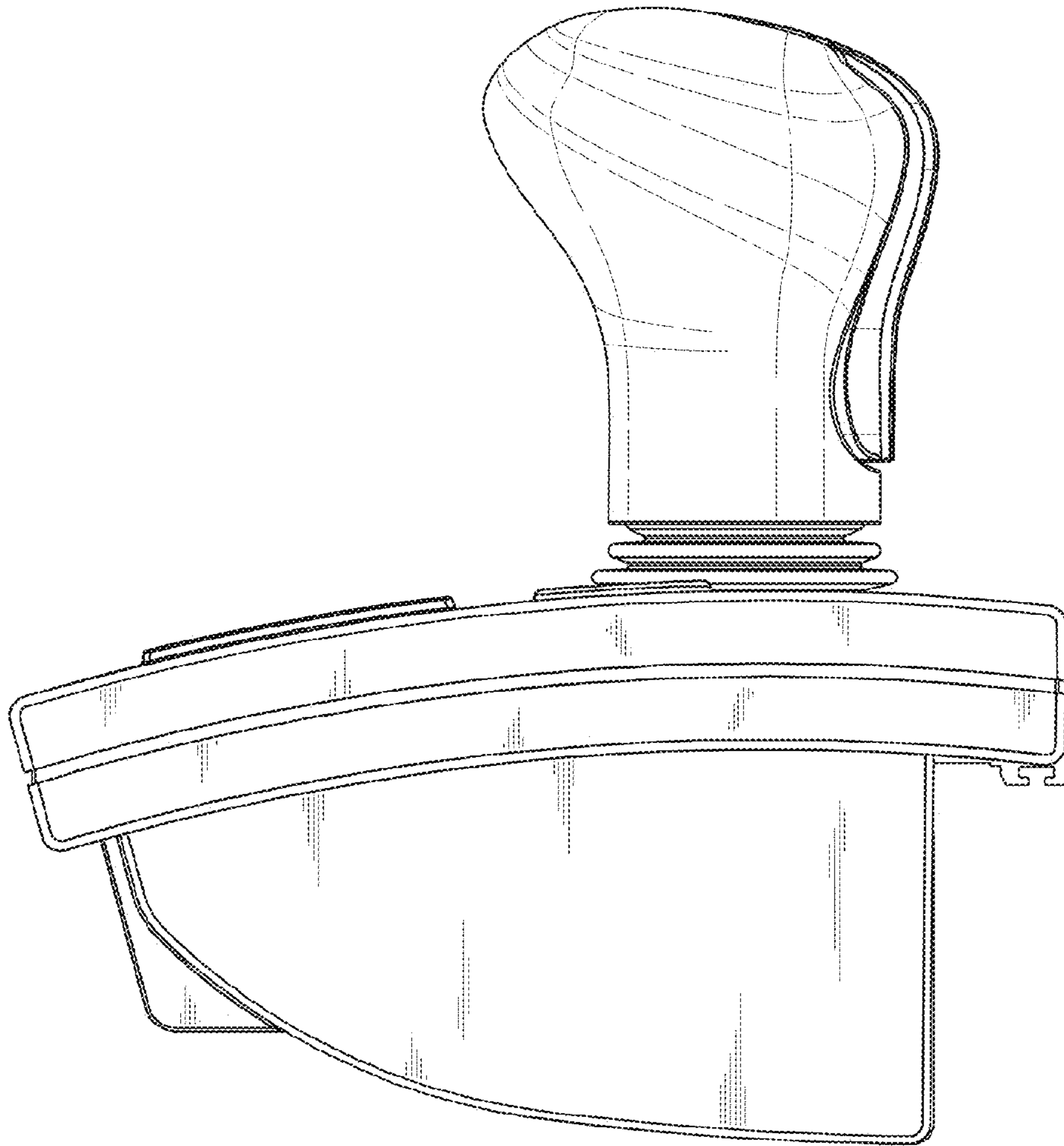


FIG. 14

