



US00D726917S

(12) **United States Design Patent**  
**Kim**

(10) **Patent No.:** **US D726,917 S**  
(45) **Date of Patent:** **\*\* Apr. 14, 2015**

(54) **COMPUTED TOMOGRAPHY APPARATUS**

(56) **References Cited**

(71) Applicant: **Samsung Electronics Co., Ltd.**,  
Suwon-si, Gyeonggi-do (KR)

(72) Inventor: **Yun Su Kim**, Seoul (KR)

(73) Assignee: **Samsung Electronics Co., Ltd.** (KR)

(\*\*) Term: **14 Years**

(21) Appl. No.: **29/487,754**

(22) Filed: **Apr. 11, 2014**

(30) **Foreign Application Priority Data**

Oct. 29, 2013 (KR) ..... 30-2013-0054338

(51) **LOC (10) Cl.** ..... **24-01**

(52) **U.S. Cl.**  
USPC ..... **D24/158**

(58) **Field of Classification Search**  
USPC ..... D24/158-161, 185, 186; 378/4, 15, 17,  
378/21, 23-27, 62, 68, 196-198; 600/407,  
600/409, 410, 415, 421, 422, 425

See application file for complete search history.

U.S. PATENT DOCUMENTS

D399,958 S *	10/1998	Hiramatsu	.....	D24/158
D557,418 S *	12/2007	Onuma et al.	.....	D24/158
D659,248 S *	5/2012	Ramos	.....	D24/159
D681,207 S *	4/2013	Ninomiya et al.	.....	D24/158
D700,339 S *	2/2014	Tan	.....	D24/158
D701,312 S *	3/2014	Ohmukai	.....	D24/158
D714,451 S *	9/2014	Park et al.	.....	D24/159
D715,944 S *	10/2014	Yao et al.	.....	D24/159

\* cited by examiner

*Primary Examiner* — Anhdao Doan

(74) *Attorney, Agent, or Firm* — Cantor Colburn LLP

(57) **CLAIM**

I claim the ornamental design for a computed tomography apparatus, as shown.

**DESCRIPTION**

FIG. 1 is the front perspective view of a computer tomography apparatus showing my new design; FIG. 2 is a front elevation view thereof; FIG. 3 is a rear elevation view thereof; FIG. 4 is a side elevation view thereof; FIG. 5 is another side elevation view thereof; FIG. 6 is a top plan view thereof; and, FIG. 7 is a bottom plan view thereof.

**1 Claim, 7 Drawing Sheets**

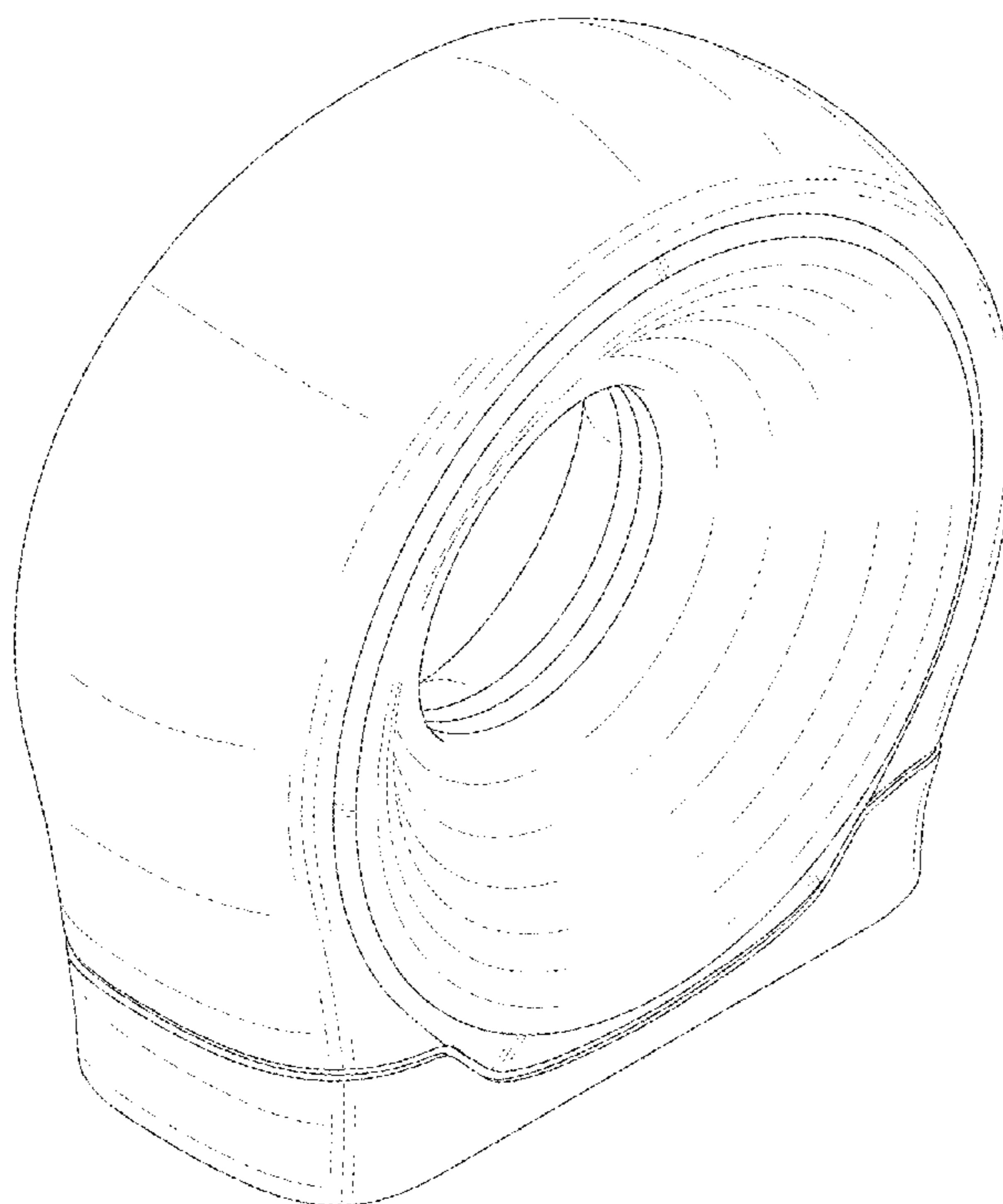


Fig. 1

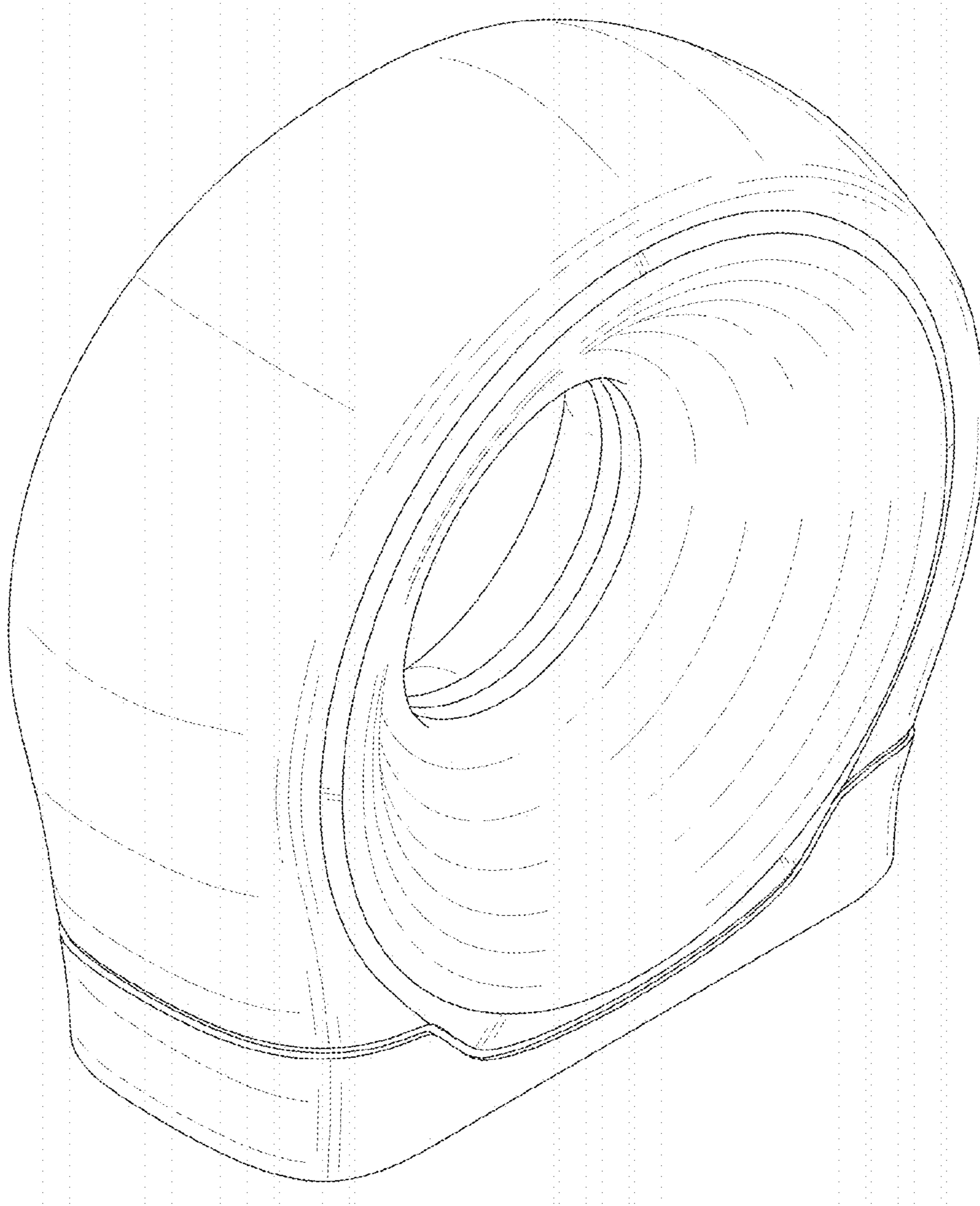


Fig. 2

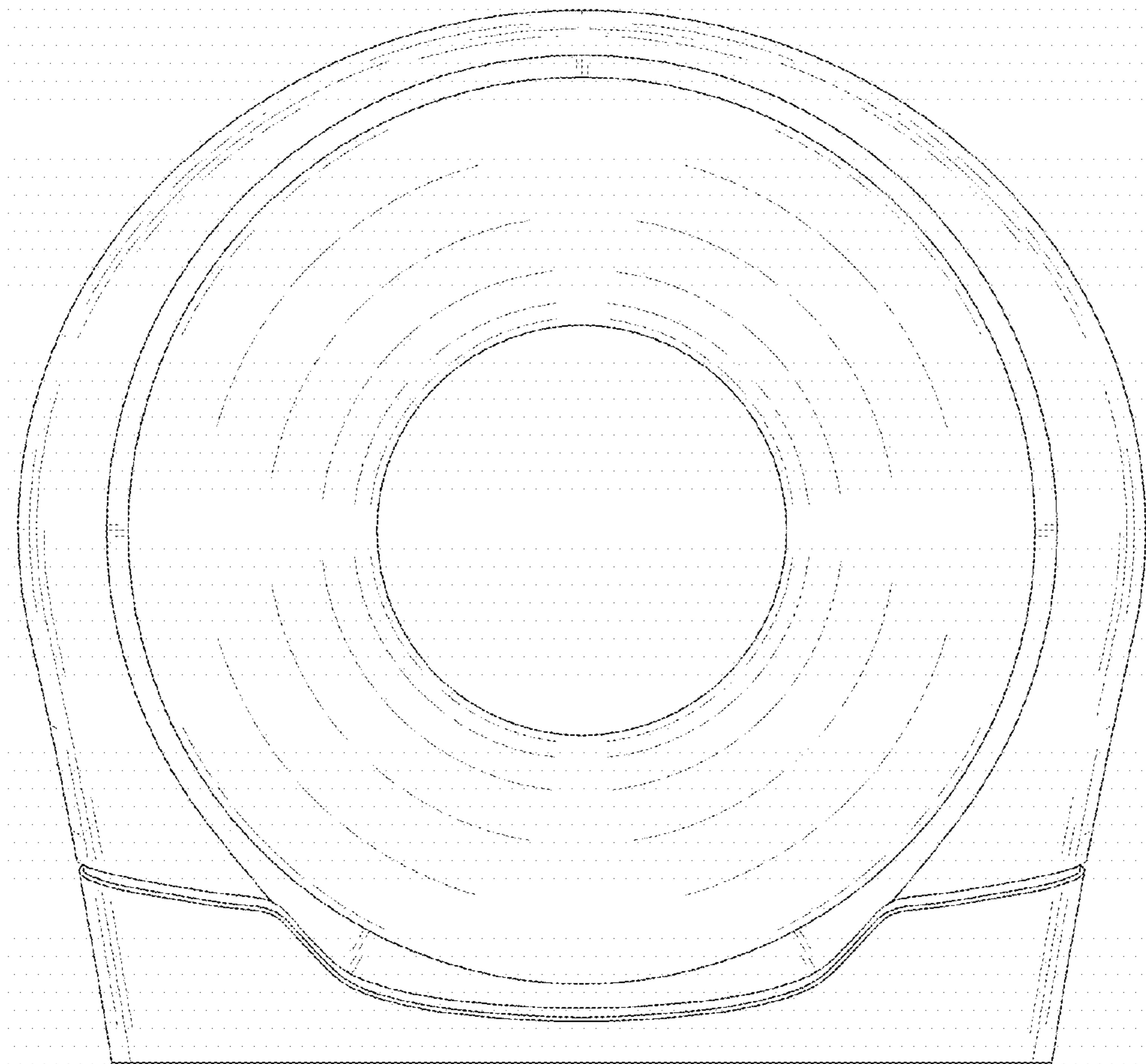


Fig. 3

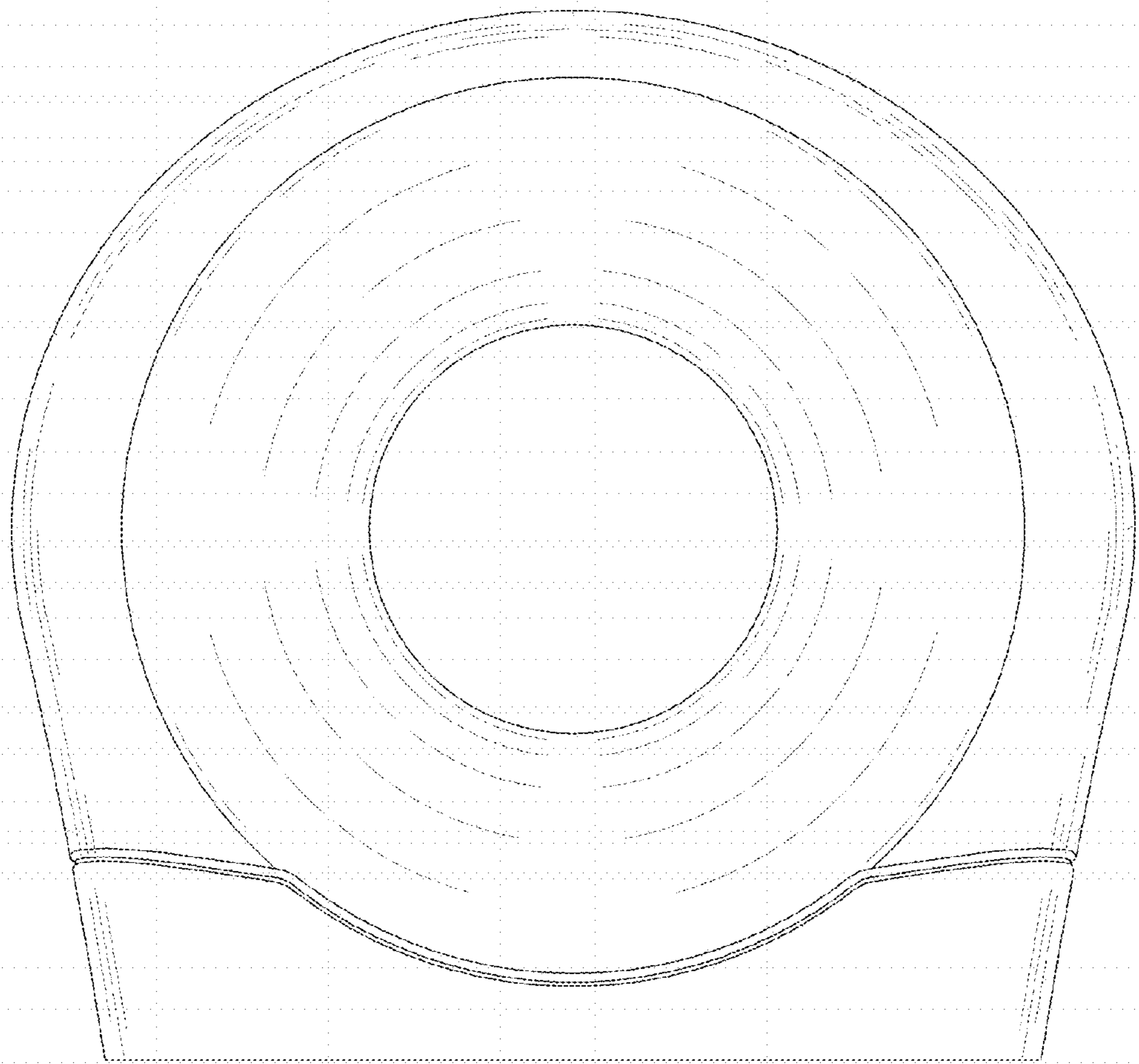


Fig. 4

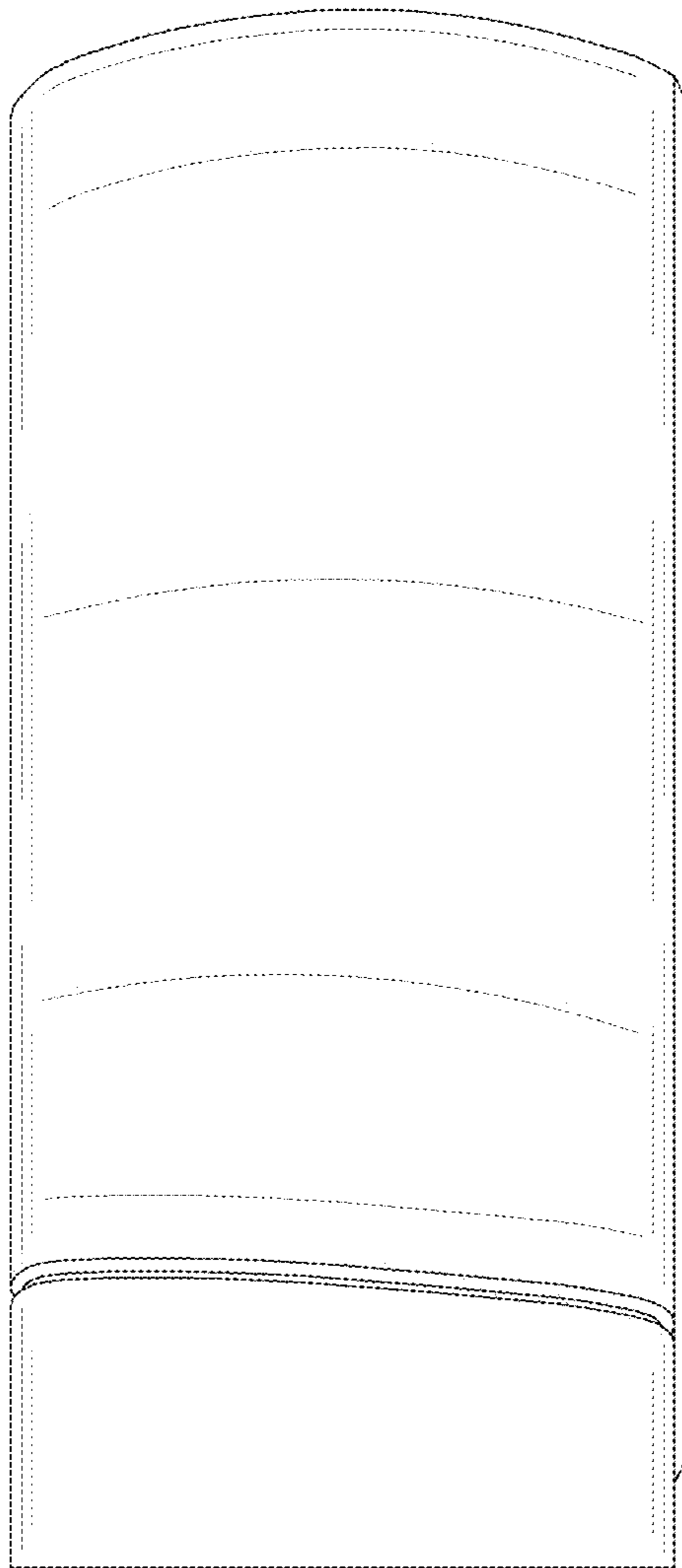


Fig. 5

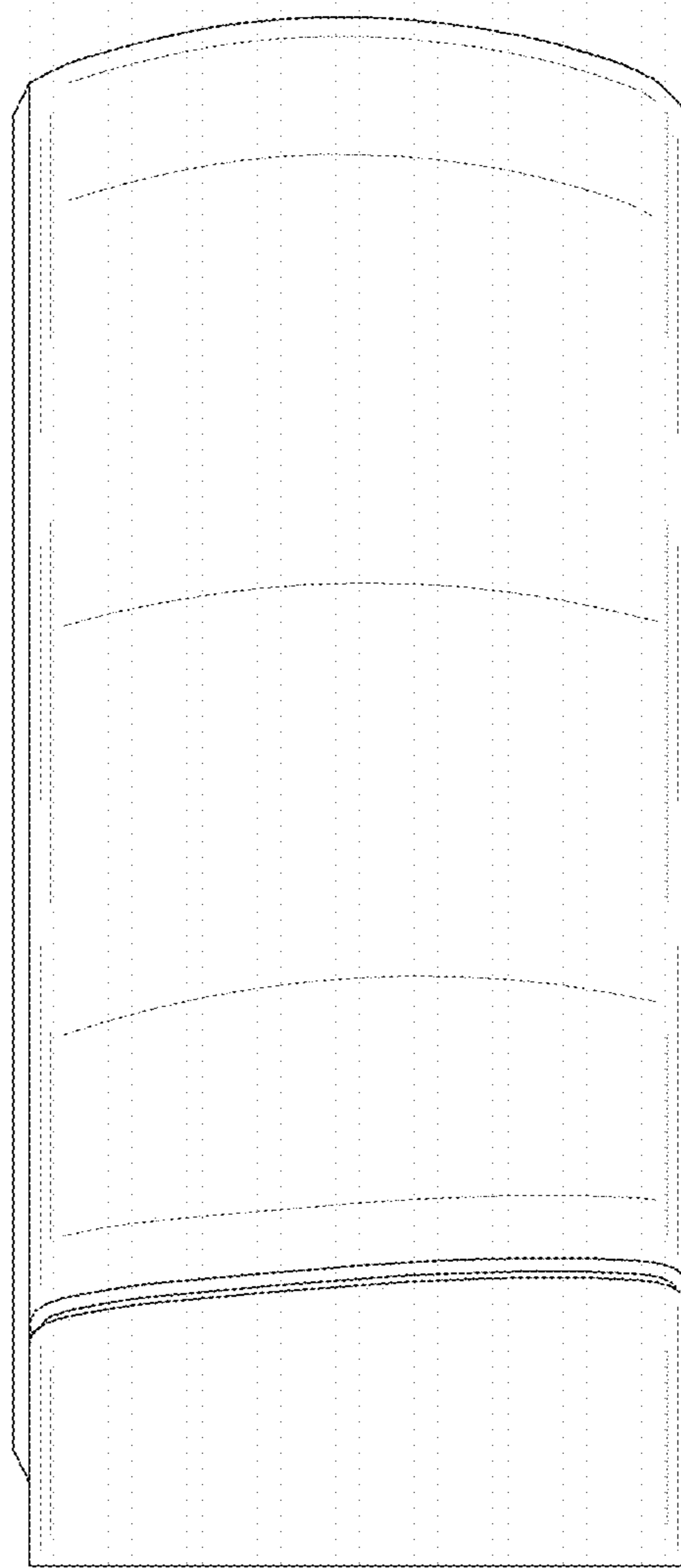


Fig. 6

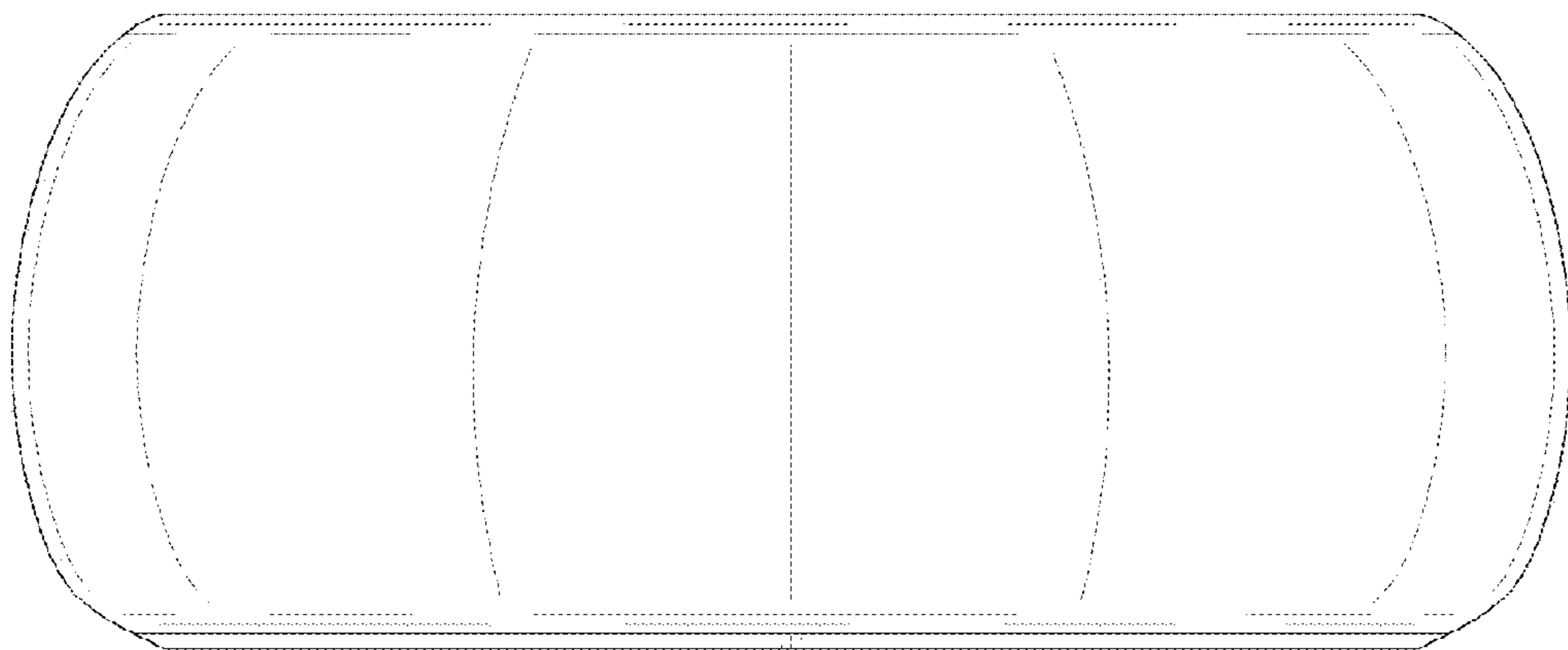


Fig. 7

