



US00D726915S

(12) **United States Design Patent**
Braswell et al.

(10) **Patent No.:** **US D726,915 S**
(45) **Date of Patent:** **** Apr. 14, 2015**

- (54) **ELECTROMAGNETIC FIELD APPARATUS**
- (71) Applicant: **Applied Magnetics LLC**, Littleton, CO (US)
- (72) Inventors: **Allen Braswell**, Clearwater, FL (US);
Jerry I. Jacobson, Jupiter, FL (US);
Frank Caruso, Golden, CO (US)
- (73) Assignee: **Applied Magnetics, LLC**, Littleton, CO (US)

6,011,396 A *	1/2000	Eckels et al.	600/415
6,099,459 A	8/2000	Jacobson	
D438,619 S	3/2001	Okada et al.	
D461,249 S	8/2002	Tsuzaki et al.	
6,458,071 B1	10/2002	Jacobson	
D474,277 S	5/2003	Juni	
6,611,702 B2	8/2003	Rohling et al.	
6,733,434 B2	5/2004	Jacobson	
6,971,983 B1 *	12/2005	Cancio	600/9
6,992,486 B2	1/2006	Srinivasan	
D563,555 S	3/2008	Kasai et al.	

(Continued)

- (**) Term: **14 Years**
- (21) Appl. No.: **29/482,412**
- (22) Filed: **Feb. 18, 2014**

FOREIGN PATENT DOCUMENTS

WO	WO 00/13749	3/2000
WO	WO 01/15775	3/2001

Primary Examiner — Anhdao Doan

(74) *Attorney, Agent, or Firm* — Kilpatrick Townsend & Stockton LLP

Related U.S. Application Data

- (60) Continuation of application No. 29/461,590, filed on Jul. 25, 2013, now Pat. No. Des. 701,960, which is a division of application No. 29/397,808, filed on Jul. 21, 2011, now Pat. No. Des. 689,612.
- (51) **LOC (10) Cl.** **24-01**
- (52) **U.S. Cl.**
USPC **D24/158**
- (58) **Field of Classification Search**
USPC D24/158–161, 185, 186; 378/4, 15, 17, 378/21, 23–27, 62, 68, 196–198; 600/407, 600/409, 410, 415, 421, 422, 425, 9, 10, 13, 600/14
See application file for complete search history.

(57) **CLAIM**

We claim the ornamental design for an electromagnetic field apparatus, as shown and described.

DESCRIPTION

FIG. 1 is a top, side perspective view of an electromagnetic field apparatus comprising the present invention.

FIG. 2 is a top, rear perspective view of the apparatus shown in FIG. 1.

FIG. 3 is a left side elevational view of the apparatus shown in FIGS. 1 and 2. The right side elevational view is a mirror image of the left side elevational view.

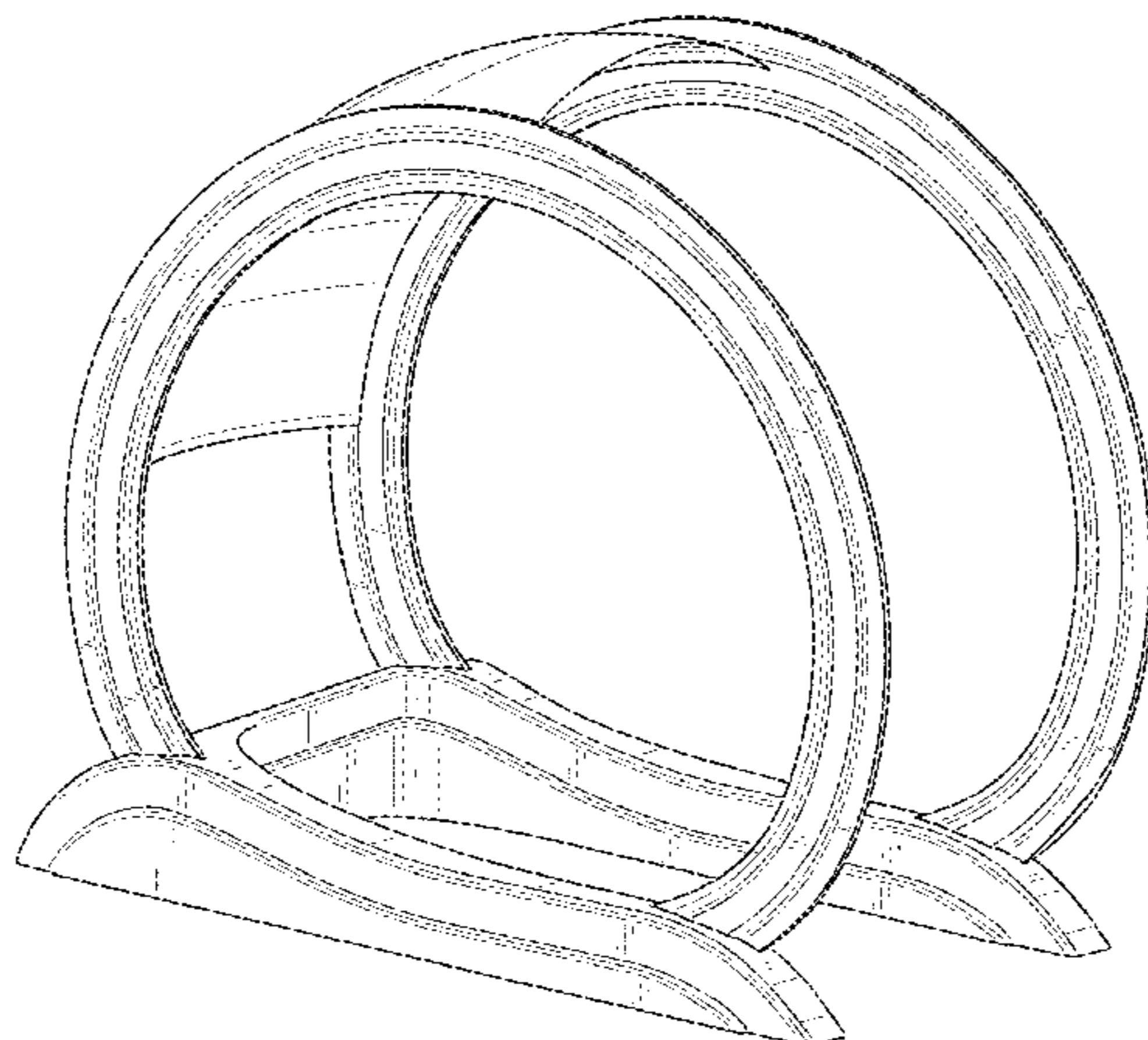
FIG. 4 is a front elevational view of the apparatus shown in FIGS. 1, 2, and 3; and,

FIG. 5 is a top plan view of the apparatus shown in FIGS. 1, 2, 3, and 4.

The broken lines in FIGS. 2 and 5 are included for the purpose of illustrating a portion of the electromagnetic field apparatus that forms no part of the claimed design.

1 Claim, 3 Drawing Sheets

- (56) **References Cited**
U.S. PATENT DOCUMENTS
- | | | |
|-------------|---------|-------------------|
| D323,386 S | 1/1992 | Perusek |
| 5,386,191 A | 1/1995 | McCarten |
| 5,426,685 A | 6/1995 | Pellegrino et al. |
| D380,832 S | 7/1997 | Isshiki et al. |
| D408,915 S | 4/1999 | Ogiwara |
| 6,004,257 A | 12/1999 | Jacobson |



US D726,915 S

Page 2

(56)

References Cited

U.S. PATENT DOCUMENTS

7,529,575 B2 5/2009 Rezzonico et al.
7,944,208 B2* 5/2011 Dutto et al. 600/415
8,014,846 B2* 9/2011 Litovitz 600/409

D673,682 S 1/2013 Boudier
D689,612 S * 9/2013 Braswell et al. D24/158
2007/0276440 A1 11/2007 Jacobson
2010/0072996 A1 3/2010 Jacobson et al.
2011/0118535 A1* 5/2011 Muntermann 600/13

* cited by examiner

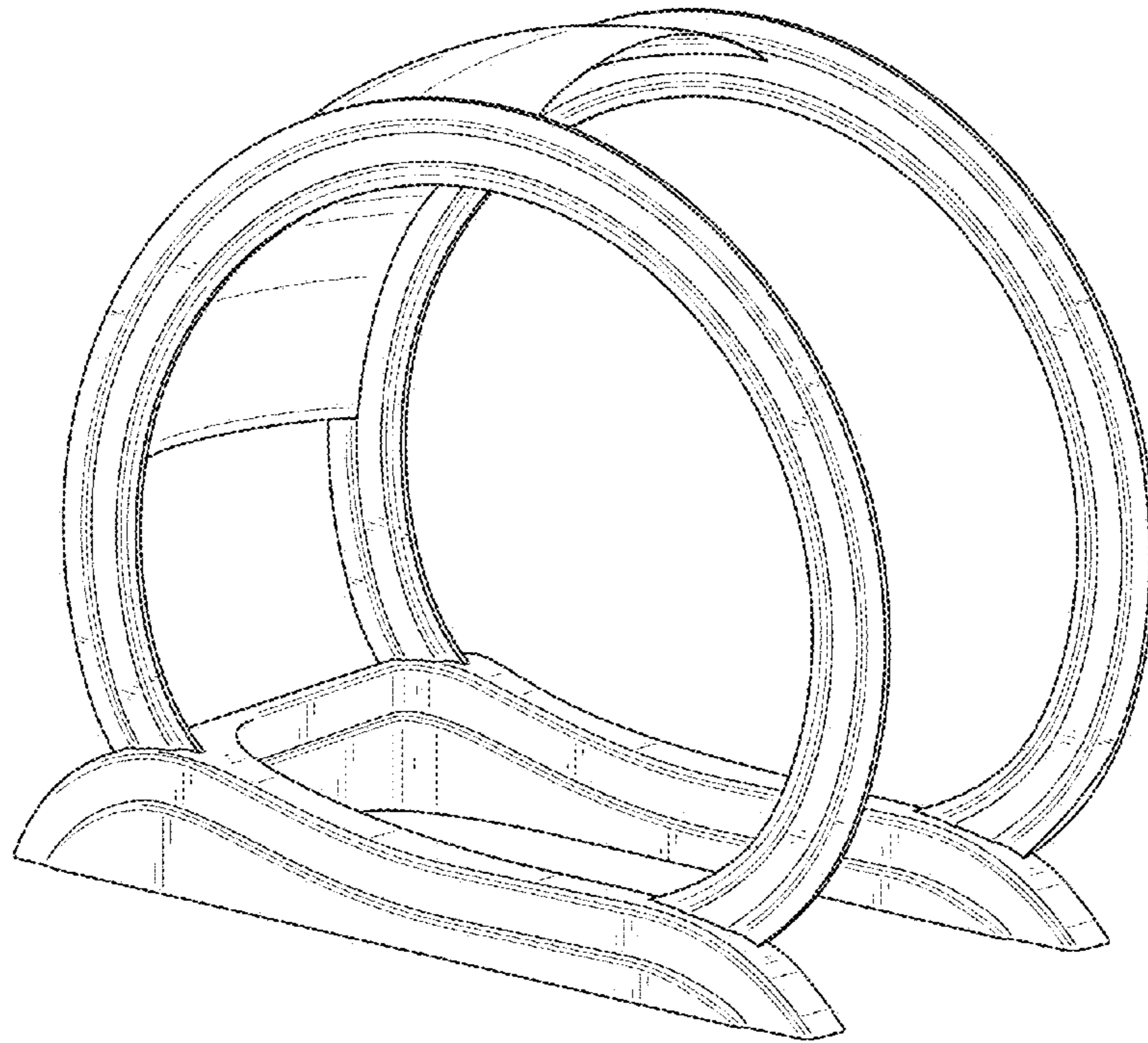


FIG. 1

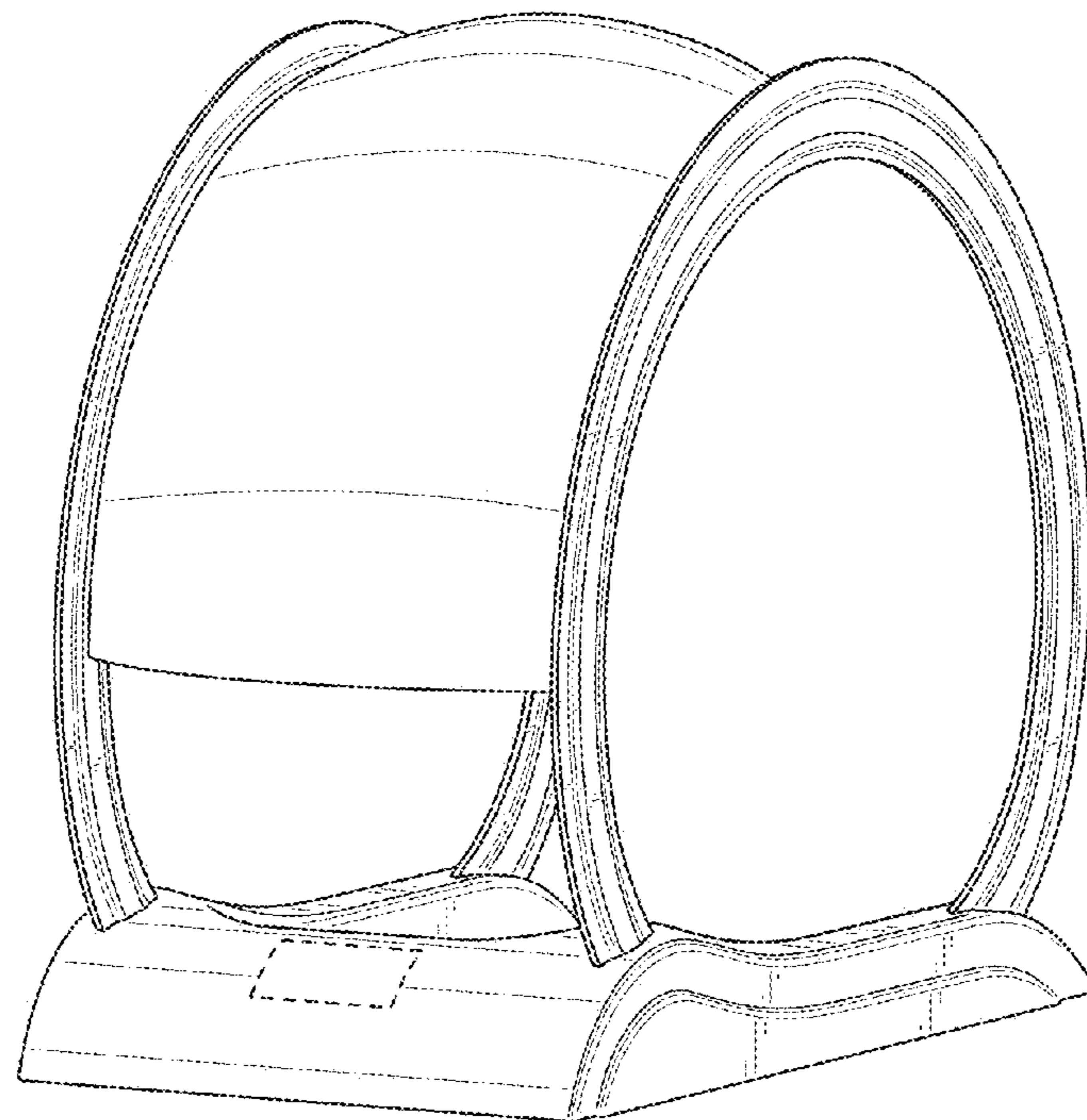


FIG. 2

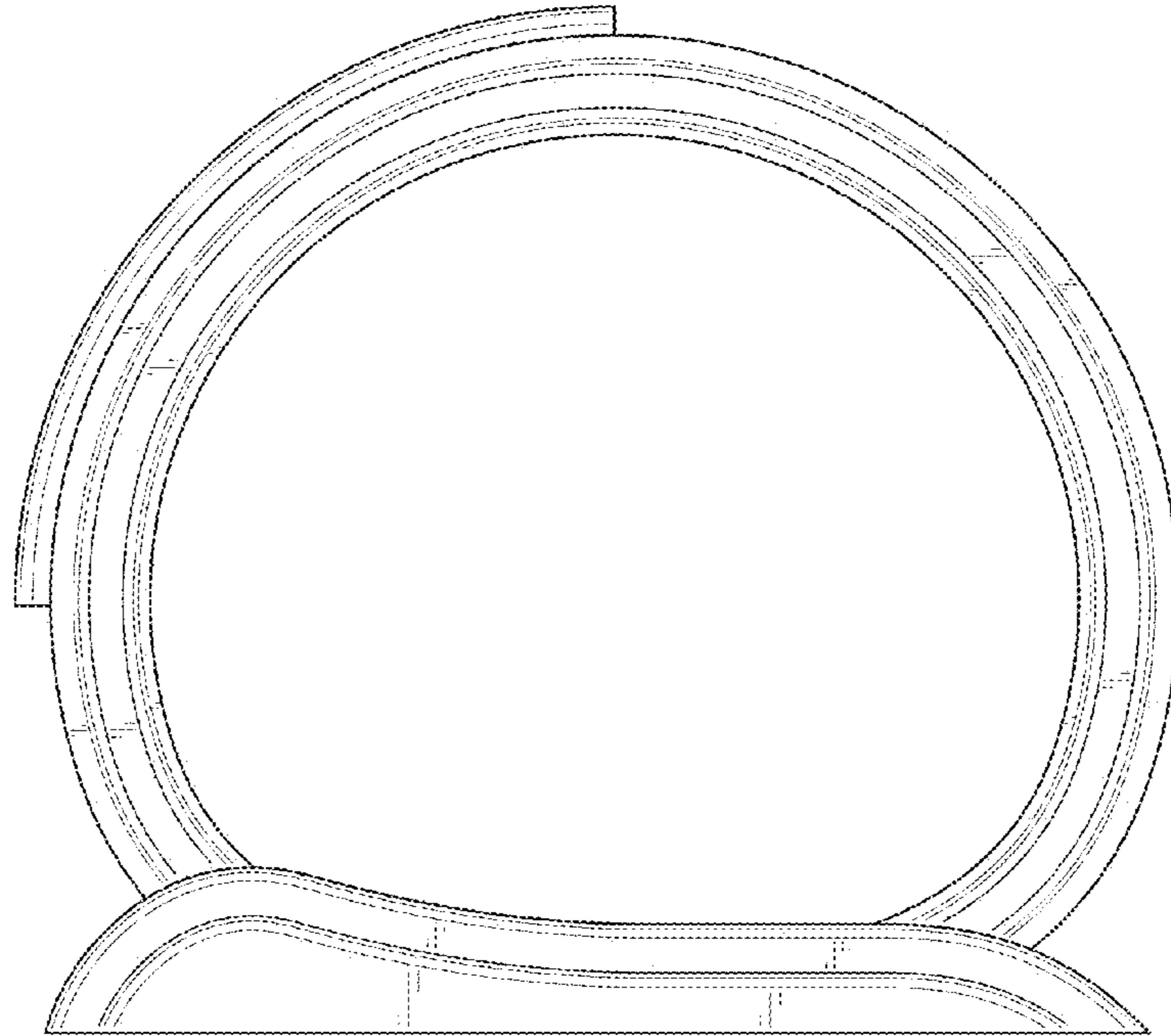


FIG. 3

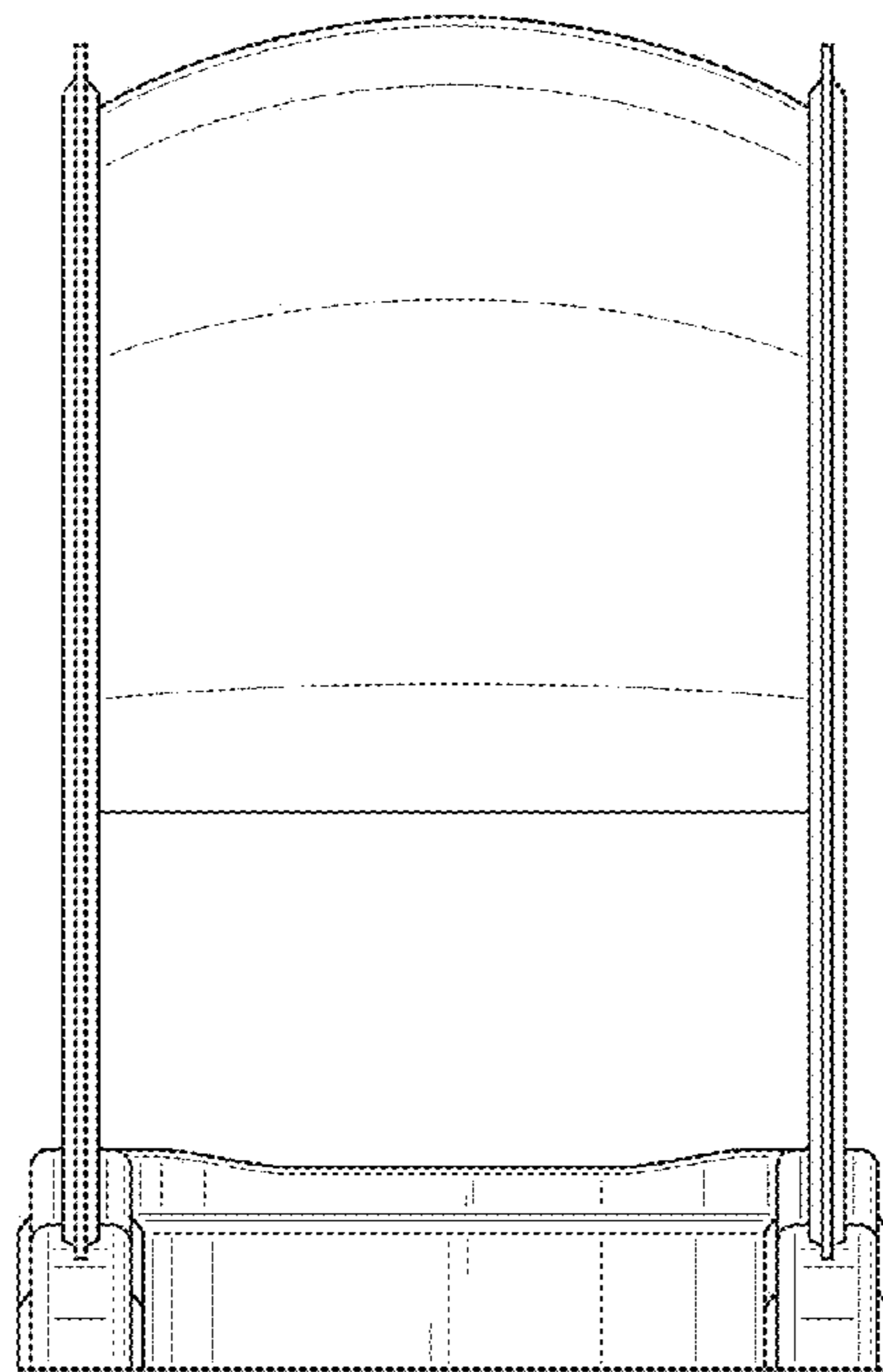


FIG. 4

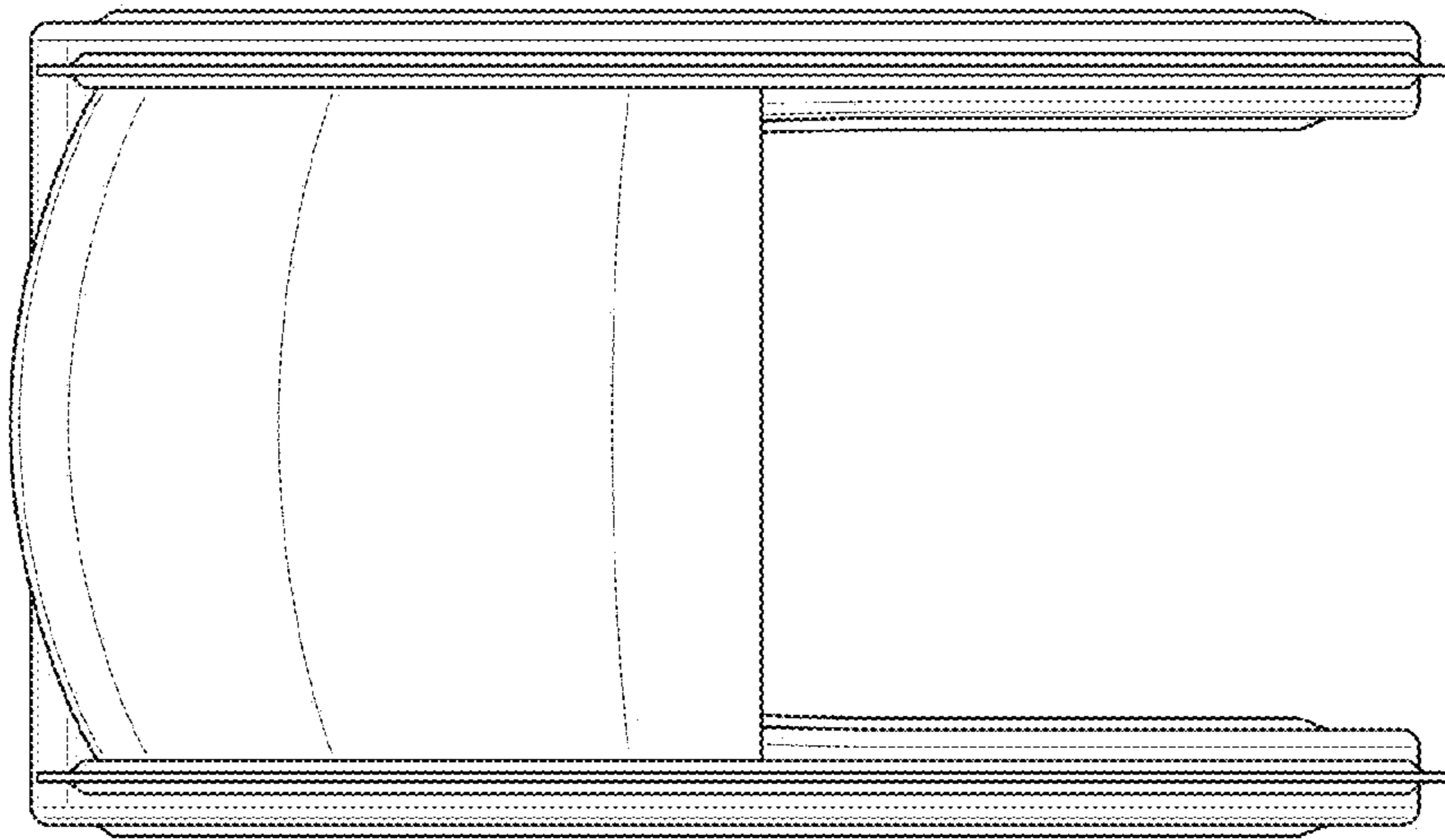


FIG. 5