



US00D726914S

(12) **United States Design Patent**
Matheny

(10) **Patent No.:** **US D726,914 S**
(45) **Date of Patent:** **** Apr. 14, 2015**

- (54) **PROSTHETIC TISSUE VALVE**
- (71) Applicant: **Robert Matheny**, Norcross, GA (US)
- (72) Inventor: **Robert Matheny**, Norcross, GA (US)
- (73) Assignee: **CorMatrix Cardiovascular, Inc.**,
Roswell, GA (US)
- (**) Term: **14 Years**
- (21) Appl. No.: **29/461,527**
- (22) Filed: **Jul. 24, 2013**
- (51) **LOC (10) Cl.** **24-02**
- (52) **U.S. Cl.**
USPC **D24/155**
- (58) **Field of Classification Search**
USPC D24/155-157; 623/2.41, 2.42, 2.4,
623/2.12-2.15, 2.38; 128/898, 204.18
See application file for complete search history.

D429,335	S	*	8/2000	Caspers et al.	D24/155
D430,935	S	*	9/2000	Yang et al.	D24/155
7,641,687	B2	*	1/2010	Chinn et al.	623/2.4
7,922,764	B2	*	4/2011	Gordy et al.	623/2.42
D653,343	S	*	1/2012	Ness et al.	D24/155
D688,372	S	*	8/2013	Matheny	D24/155
8,518,108	B2	*	8/2013	Huynh et al.	623/2.41
8,709,076	B1	*	4/2014	Matheny et al.	623/2.13
2008/0228264	A1	*	9/2008	Li et al.	623/2.12

* cited by examiner

Primary Examiner — Ian Simmons
Assistant Examiner — Charles Hanson
(74) *Attorney, Agent, or Firm* — Francis Law Group

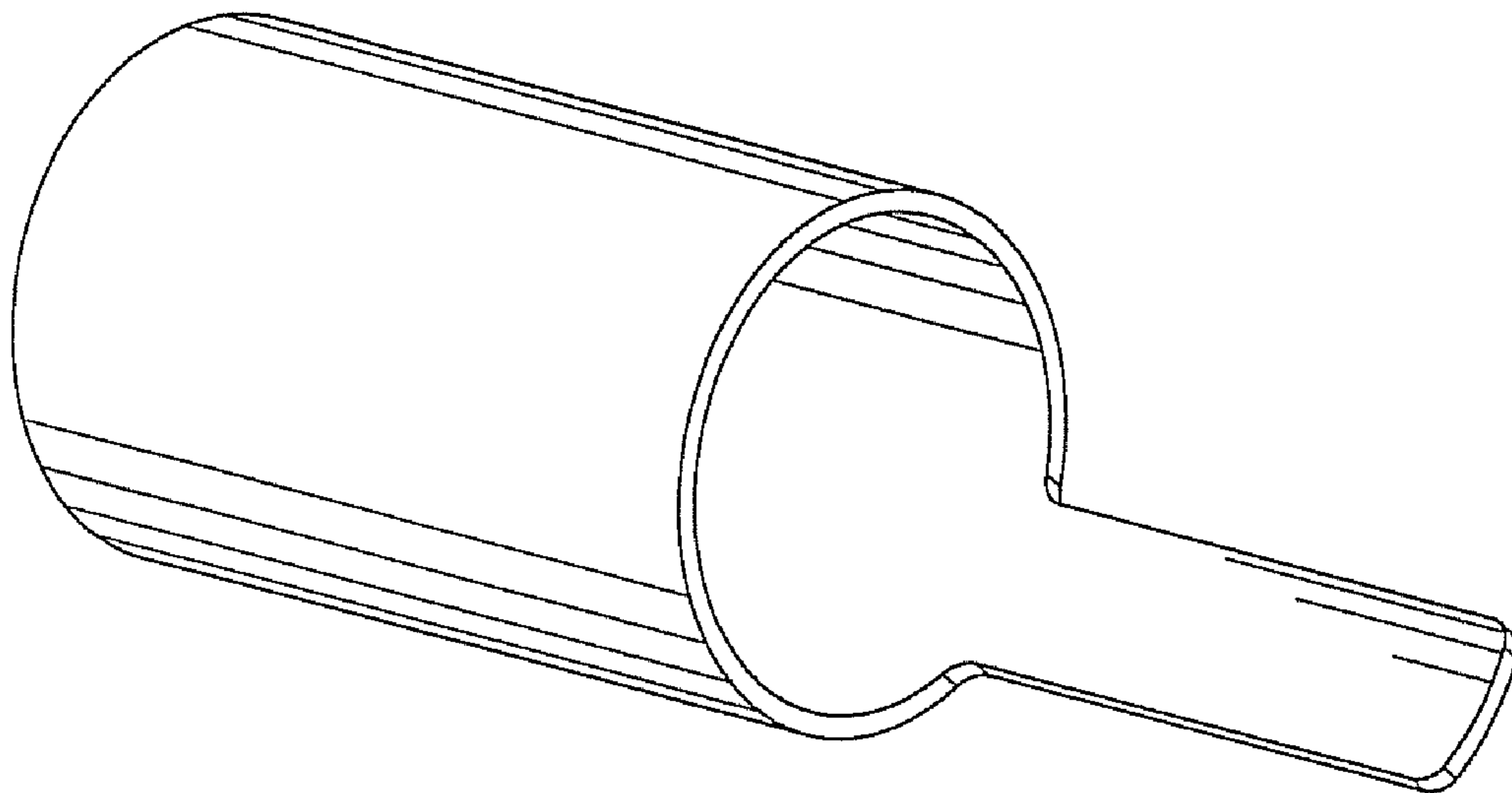
(57) **CLAIM**
I claim the ornamental design for a prosthetic tissue valve, as shown and described.

DESCRIPTION

FIG. 1 is a perspective view of my design for a prosthetic tissue valve;
FIG. 2 is a right side elevational view thereof;
FIG. 3 is a left side elevational view thereof;
FIG. 4 is a front elevational view thereof; and,
FIG. 5 is a top elevational view thereof.

1 Claim, 1 Drawing Sheet

- (56) **References Cited**
U.S. PATENT DOCUMENTS
4,470,157 A * 9/1984 Love 623/2.15
5,855,601 A * 1/1999 Bessler et al. 623/2.38
D413,383 S * 8/1999 Vryonis et al. D24/156
6,092,529 A * 7/2000 Cox 128/898



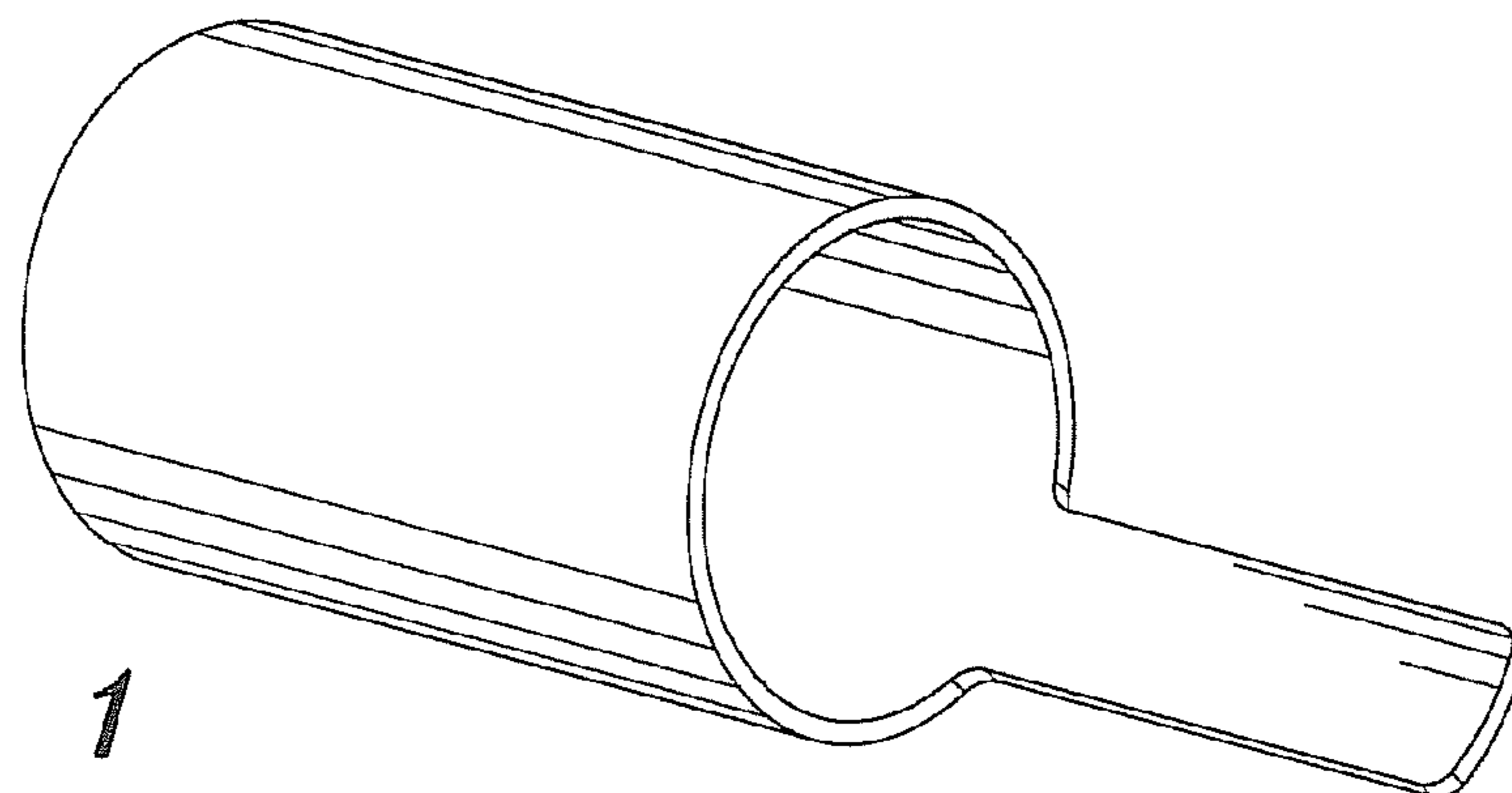


FIG. 1

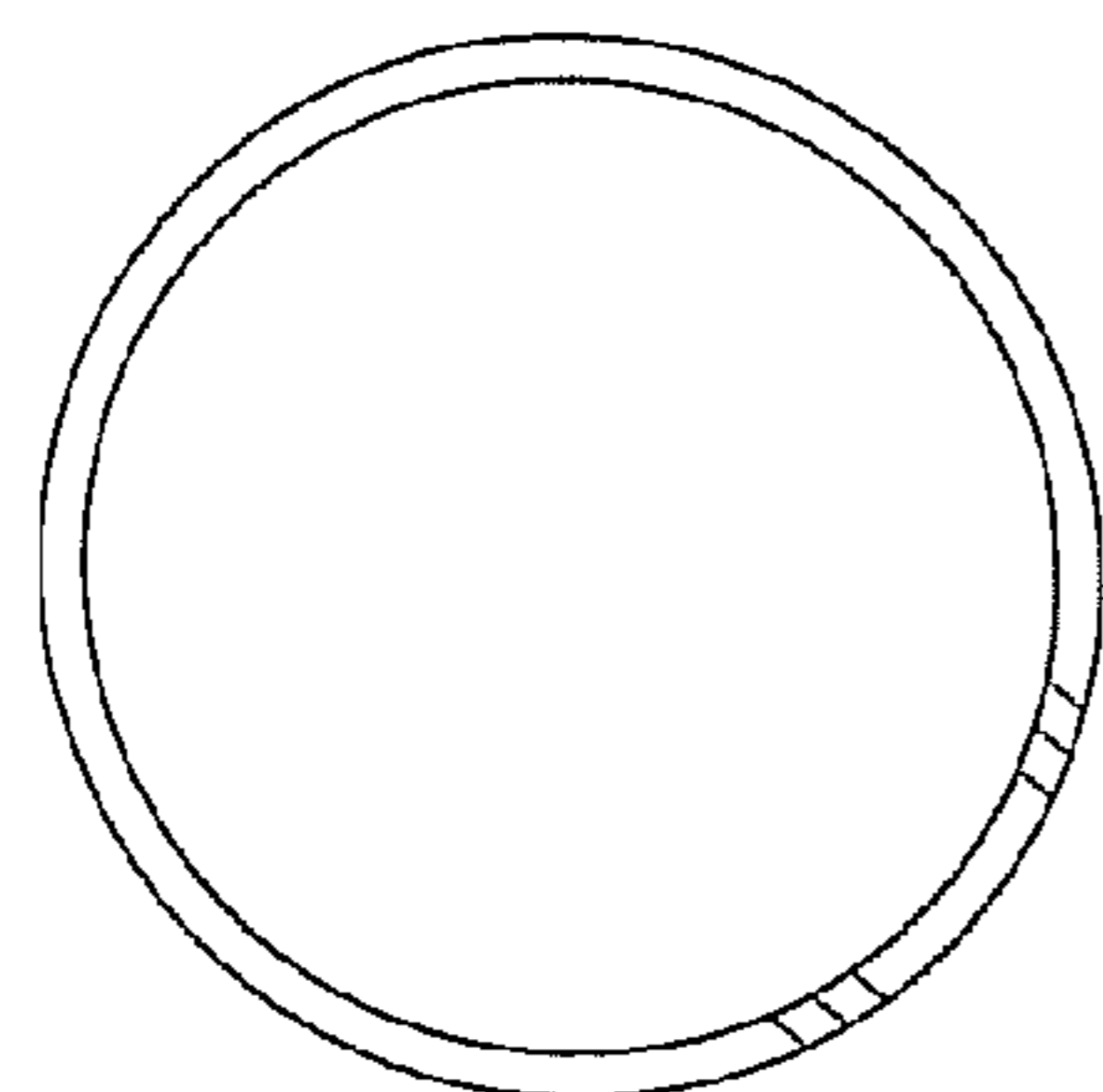


FIG. 2

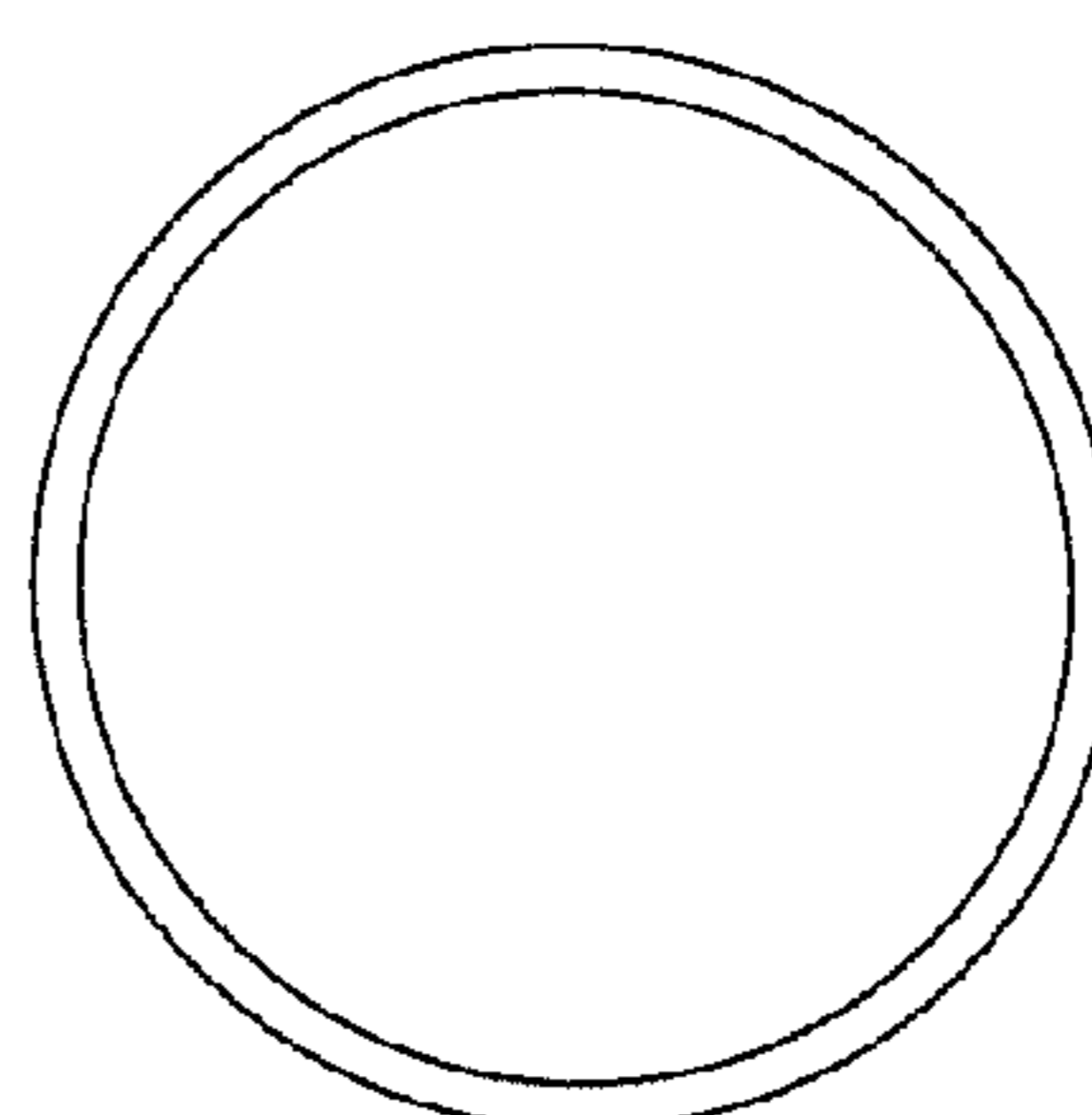


FIG. 3

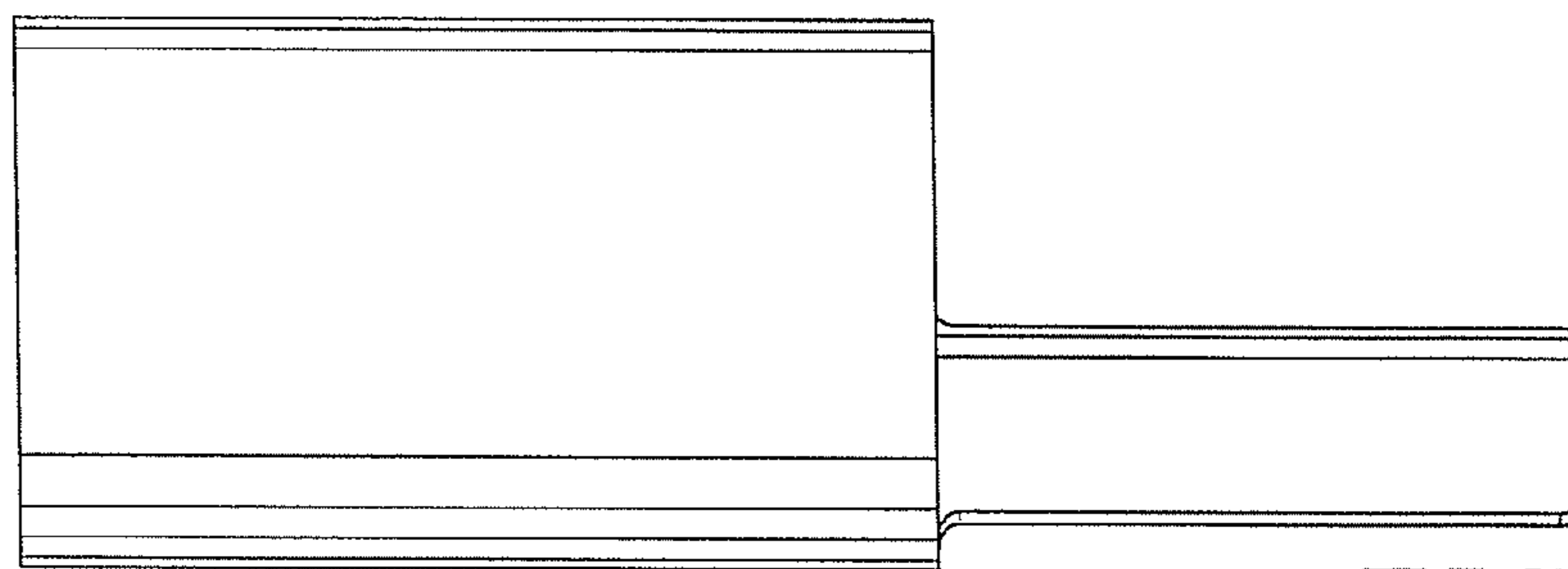


FIG. 4

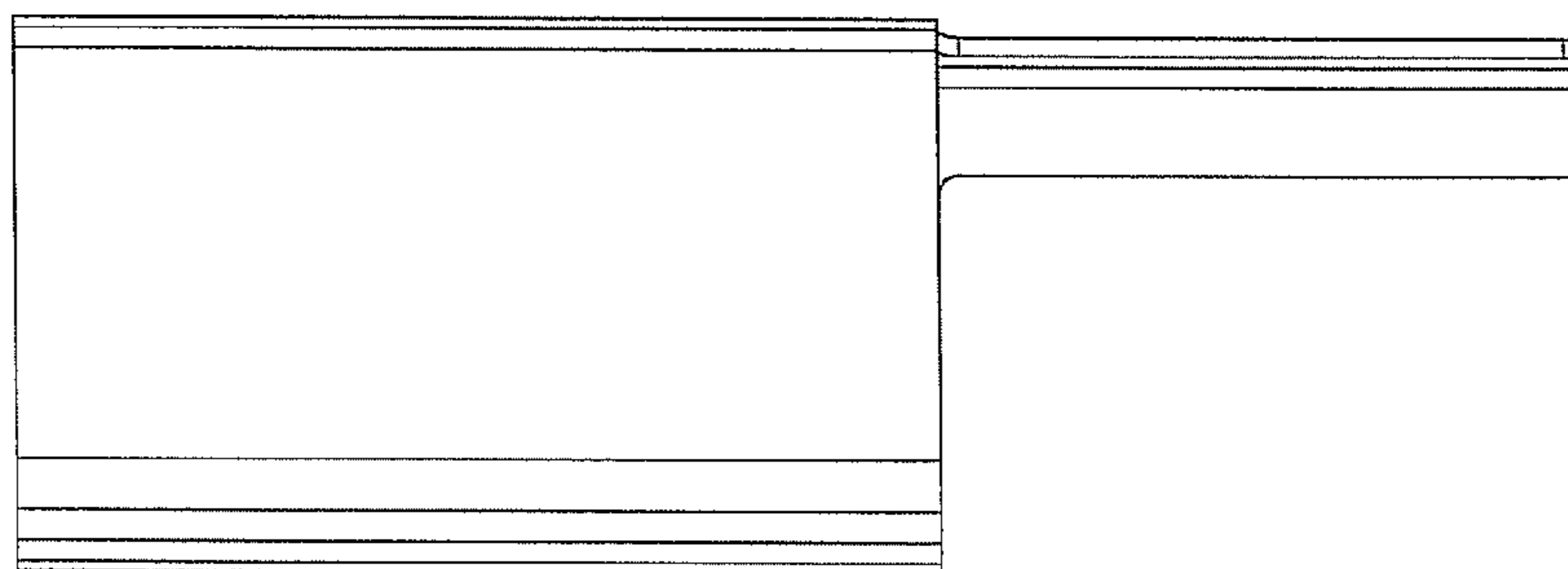


FIG. 5