

US00D726912S

(12) **United States Design Patent**
Fiorina et al.

(10) **Patent No.:** **US D726,912 S**

(45) **Date of Patent:** **** Apr. 14, 2015**

(54) **DENTAL TOOL**

(71) Applicants: **Mark Arthur Fiorina**, Elm Grove, WI (US); **Mark Andrew Fiorina**, Waukesha, WI (US)

(72) Inventors: **Mark Arthur Fiorina**, Elm Grove, WI (US); **Mark Andrew Fiorina**, Waukesha, WI (US)

(73) Assignee: **Engineered Endodontics, LLC**, Menomonee Falls, WI (US)

(**) Term: **14 Years**

(21) Appl. No.: **29/469,119**

(22) Filed: **Oct. 7, 2013**

(51) **LOC (10) Cl.** **24-02**

(52) **U.S. Cl.**
USPC **D24/152**

(58) **Field of Classification Search**
USPC D24/112–114, 133, 186, 104, 130, 127, D24/108, 146, 147, 152; 606/181; 604/185, 604/187, 158, 164.08, 192, 263, 163, 181, 604/184, 198, 227, 30, 232; 433/80, 85, 433/88–90, 114, 104

See application file for complete search history.

(56) **References Cited**

U.S. PATENT DOCUMENTS

5,489,205	A *	2/1996	Davis et al.	433/80
5,848,893	A *	12/1998	Martin et al.	433/80
D409,305	S *	5/1999	Martin et al.	D24/113
D494,678	S *	8/2004	Kemeny et al.	D24/152
2010/0266982	A1 *	10/2010	Klecker et al.	433/90

* cited by examiner

Primary Examiner — Wan Laymon

Assistant Examiner — Mark Booker

(74) *Attorney, Agent, or Firm* — Quarles & Brady, LLP

(57) **CLAIM**

The ornamental design for a dental tool, as shown and described.

DESCRIPTION

FIG. 1 is an isometric view of a top, front, and left side of a dental tool;

FIG. 2 is a left side elevational view of the dental tool of FIG. 1;

FIG. 3 is a right side elevational view of the dental tool of FIG. 1;

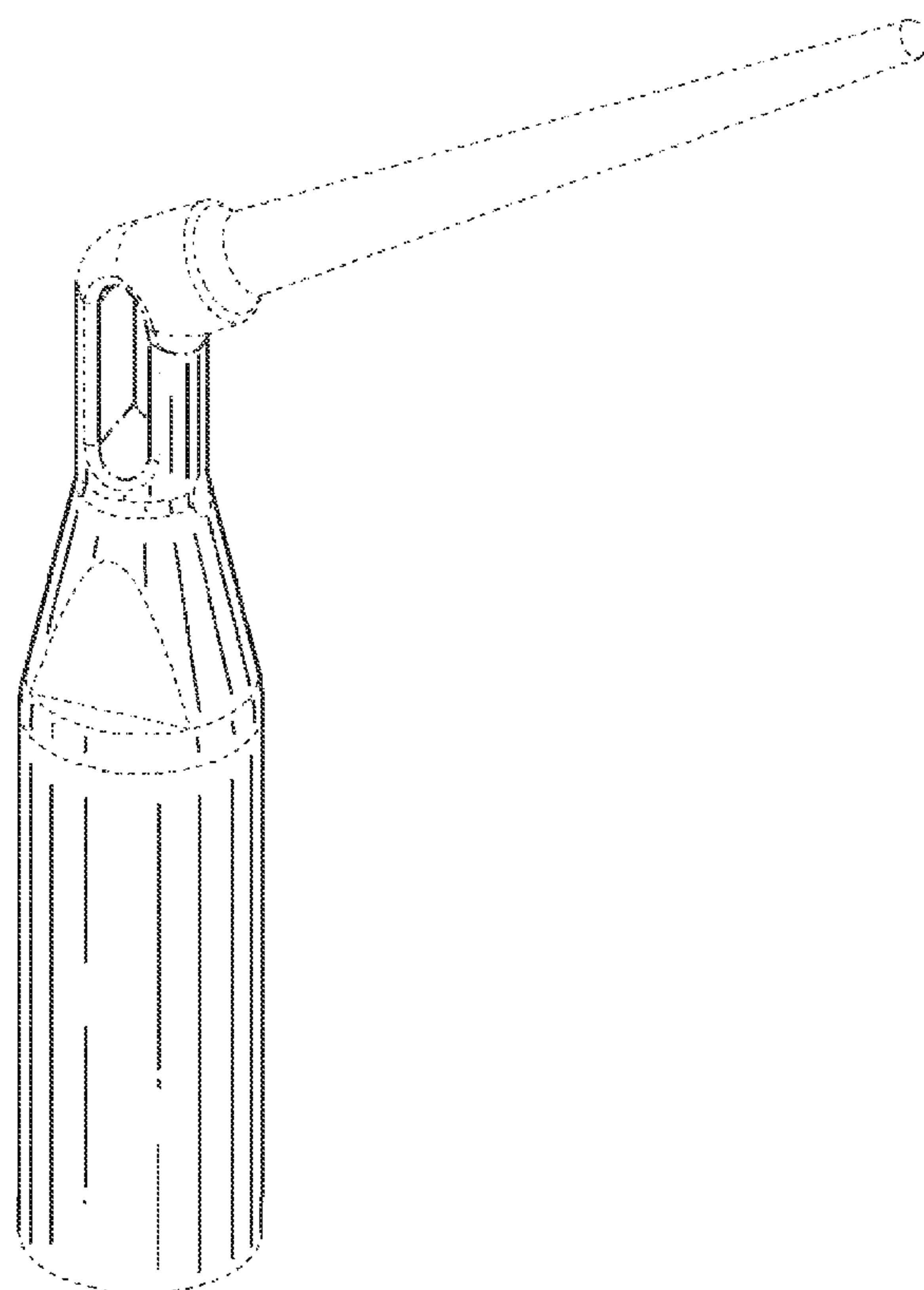
FIG. 4 is a rear elevational view of the dental tool of FIG. 1;

FIG. 5 is a front elevational view of the dental tool of FIG. 1; and,

FIG. 6 is a top plan view of the dental tool of FIG. 1.

The dash-dot-dash-dot broken lines immediately adjacent the shaded areas represent the bounds of the claimed design.

1 Claim, 3 Drawing Sheets



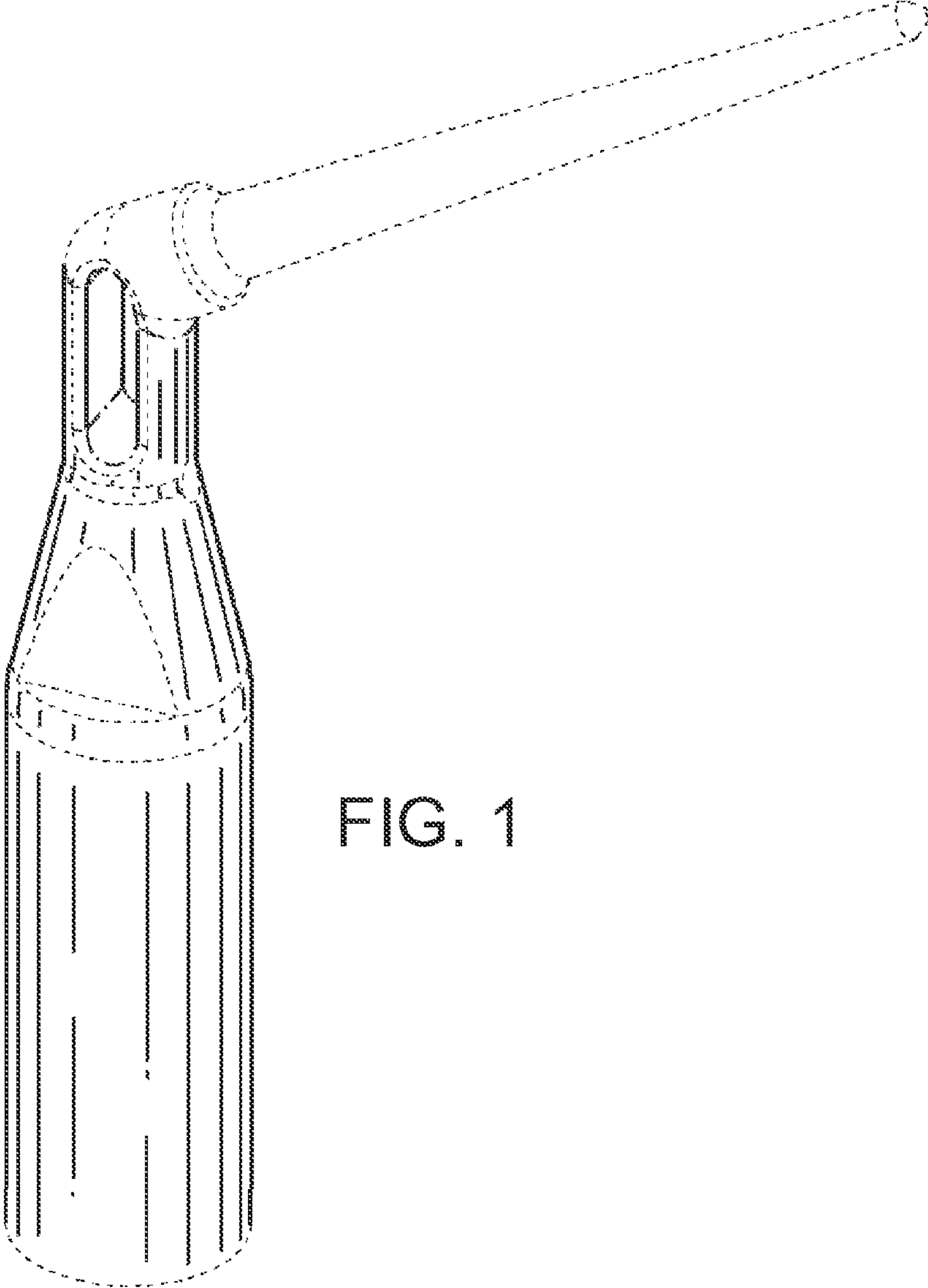


FIG. 1

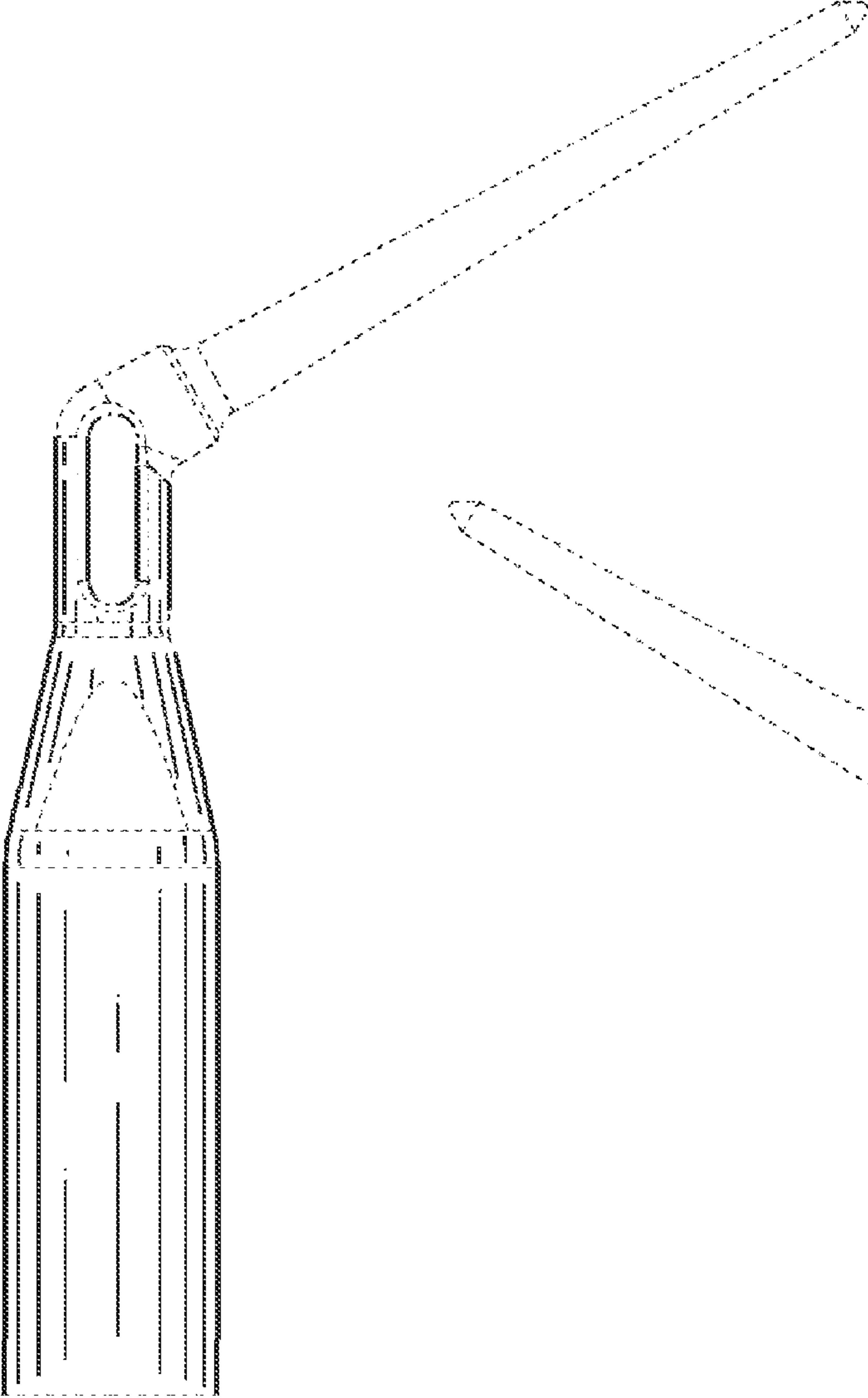


FIG. 2

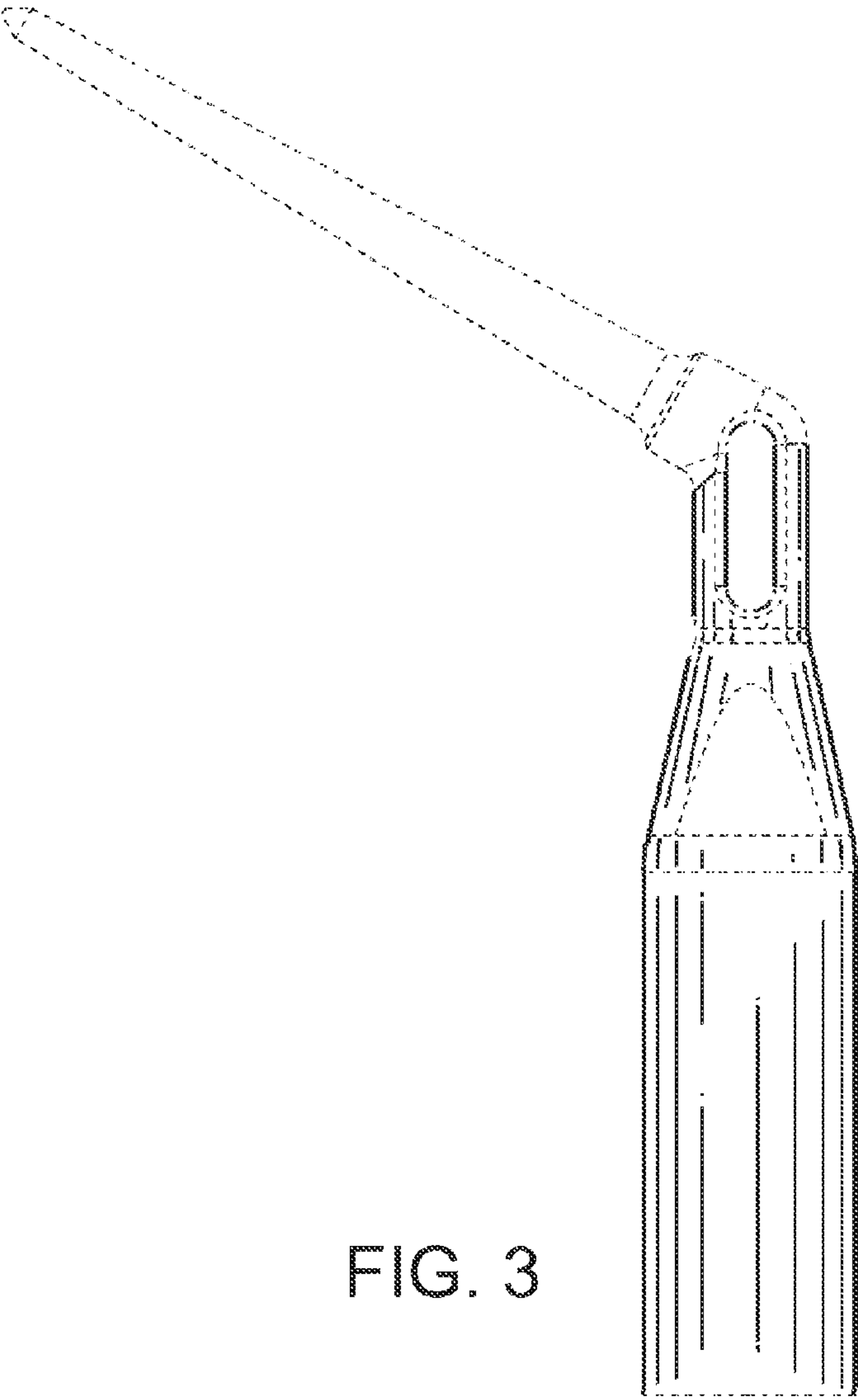


FIG. 3

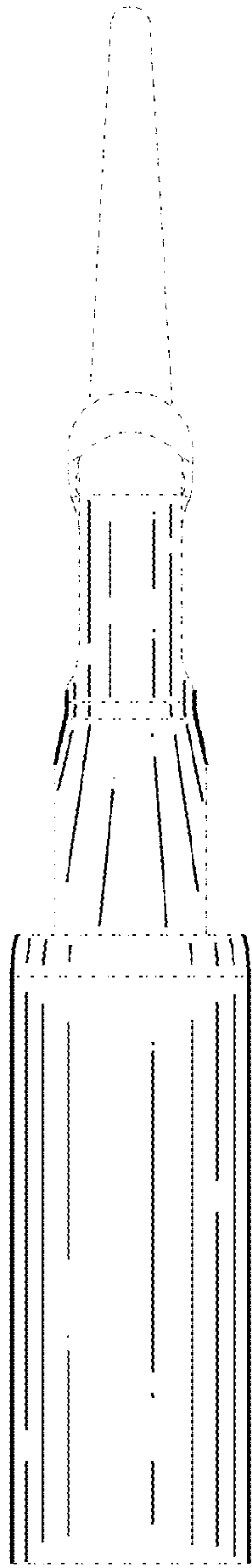


FIG. 4

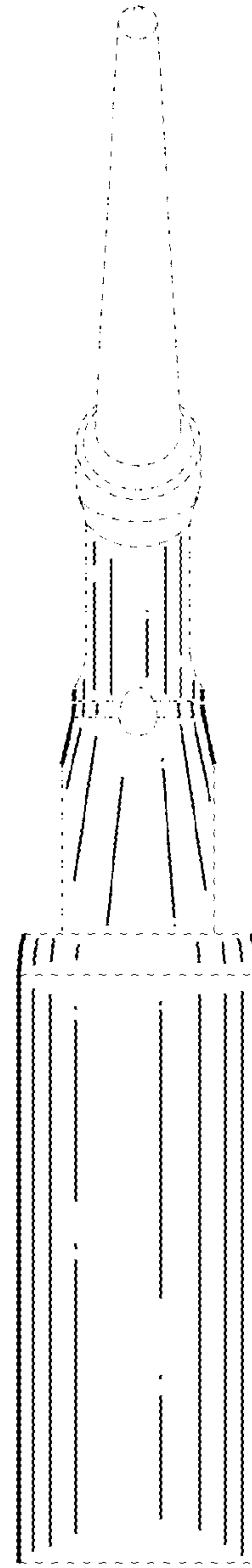


FIG. 5

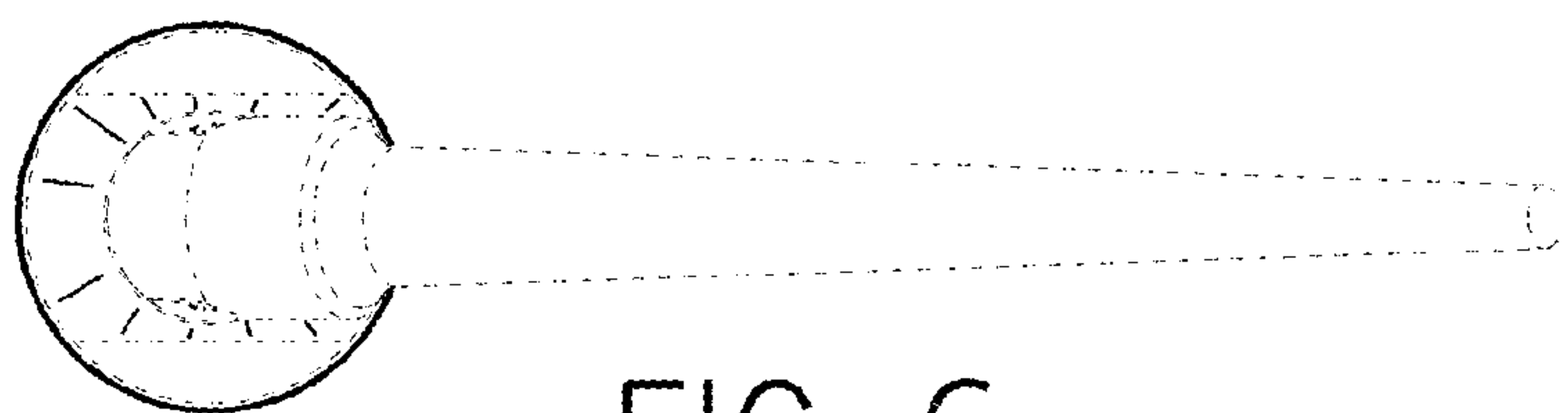


FIG. 6