



US00D726911S

(12) **United States Design Patent**  
**Gantes**

(10) **Patent No.:** **US D726,911 S**

(45) **Date of Patent:** **\*\* Apr. 14, 2015**

(54) **CASTING JIG**

(71) Applicant: **Bernard Gantes**, Huntington Beach, CA  
(US)

(72) Inventor: **Bernard Gantes**, Huntington Beach, CA  
(US)

(73) Assignee: **Cyber-Implants, LLC**, Huntington  
Beach, CA (US)

(\*\*) Term: **14 Years**

(21) Appl. No.: **29/460,704**

(22) Filed: **Jul. 12, 2013**

(51) **LOC (10) Cl.** ..... **24-02**

(52) **U.S. Cl.**  
USPC ..... **D24/152**

(58) **Field of Classification Search**  
CPC ..... A61C 11/00; A61C 11/001  
USPC ..... D24/152, 156, 176, 180-182, 133, 140,  
D24/143; 433/54-58, 60-61

See application file for complete search history.

(56) **References Cited**

U.S. PATENT DOCUMENTS

1,338,918	A *	5/1920	Hall	.....	433/58
D274,093	S *	5/1984	Kenna	.....	D24/140
D567,375	S *	4/2008	Amann	.....	D24/151
D623,292	S *	9/2010	Kubota	.....	D24/140
D662,204	S *	6/2012	Franceschi et al.	.....	D24/140
2002/0009689	A1 *	1/2002	Kim	.....	433/60
2007/0231770	A1 *	10/2007	Huffman	.....	433/60

\* cited by examiner

*Primary Examiner* — Bridget L Eland

(74) *Attorney, Agent, or Firm* — Rutan & Tucker LLP; Hani Z. Sayed

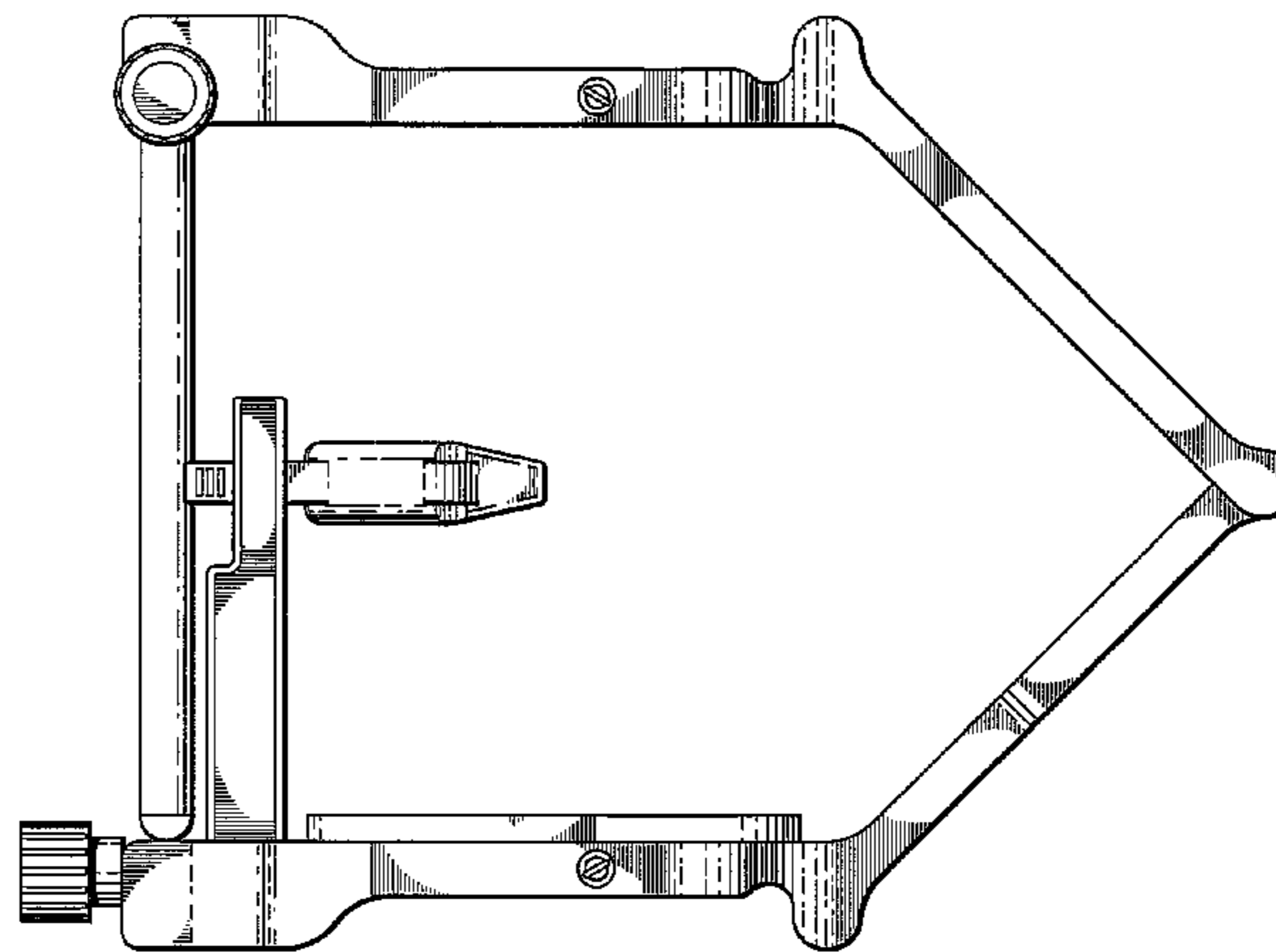
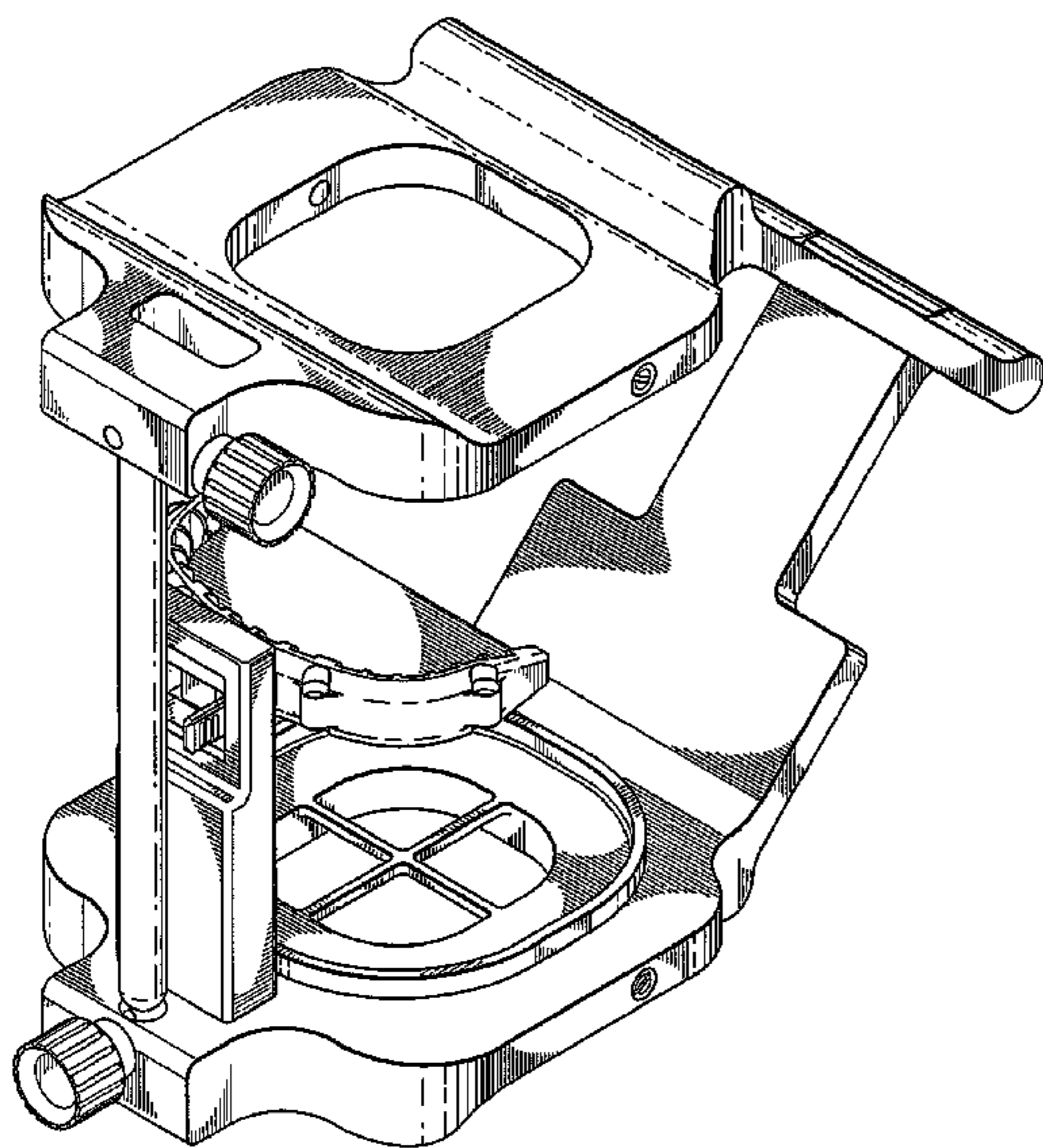
(57) **CLAIM**

The ornamental design for a casting jig, as shown and described.

**DESCRIPTION**

FIG. 1 is a top, front, right side, perspective view of the casting jig of the present invention;  
FIG. 2 is a front elevation view;  
FIG. 3 is a rear elevation view;  
FIG. 4. is a left side elevation view;  
FIG. 5 is a right side elevation view;  
FIG. 6 is a top plan view; and,  
FIG. 7 is a bottom plan view.

**1 Claim, 6 Drawing Sheets**



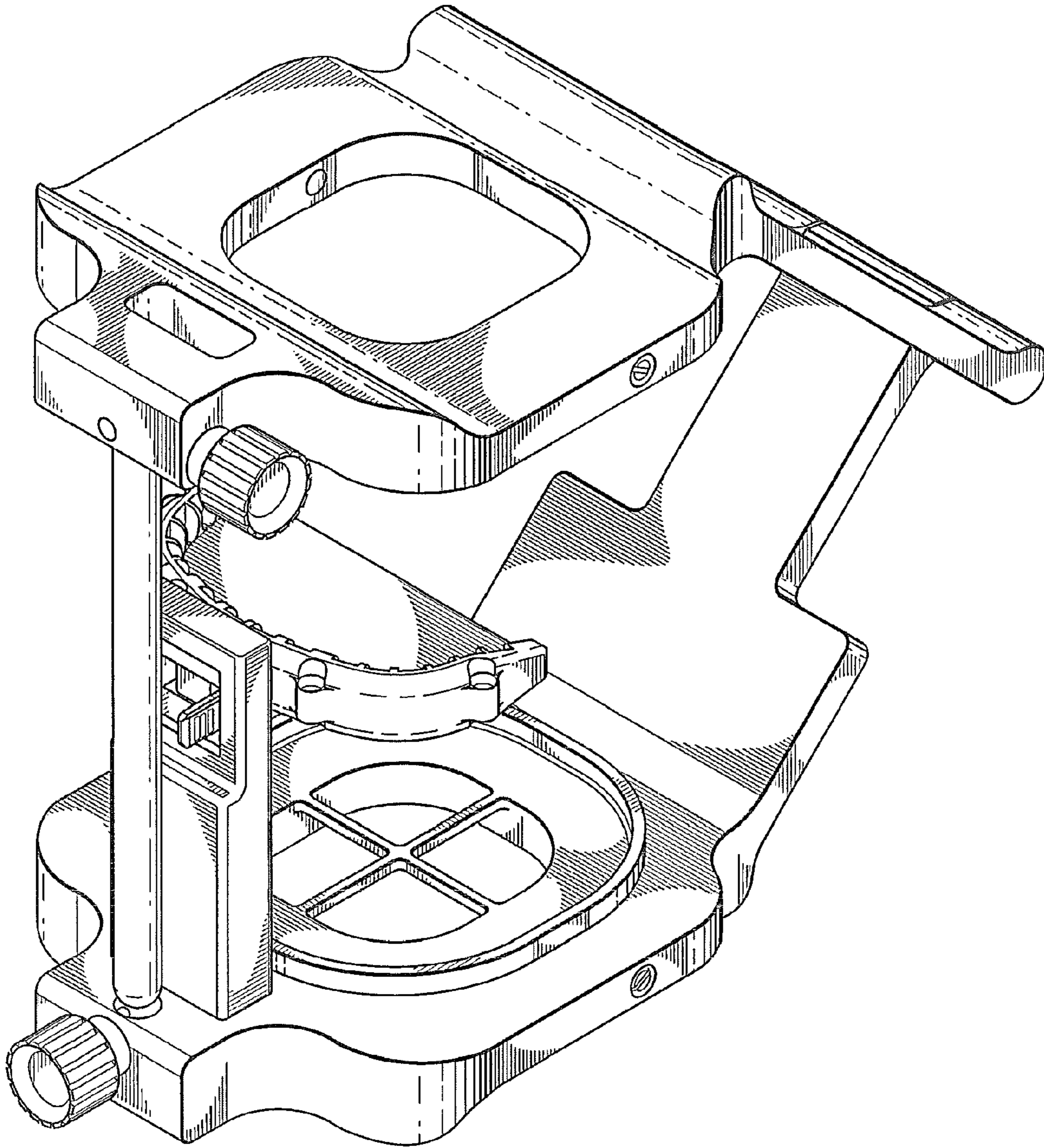


FIG. 1

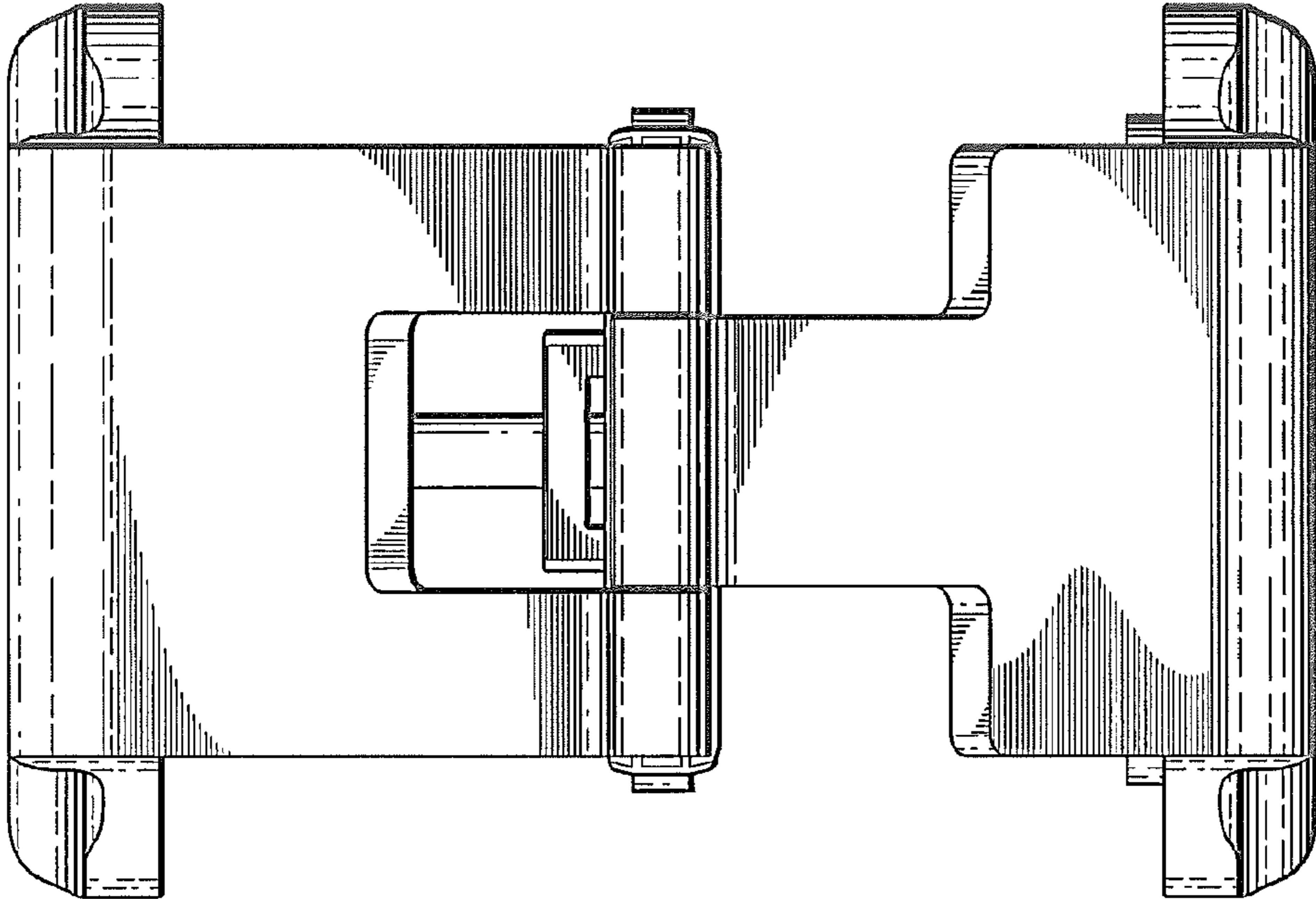


FIG. 3

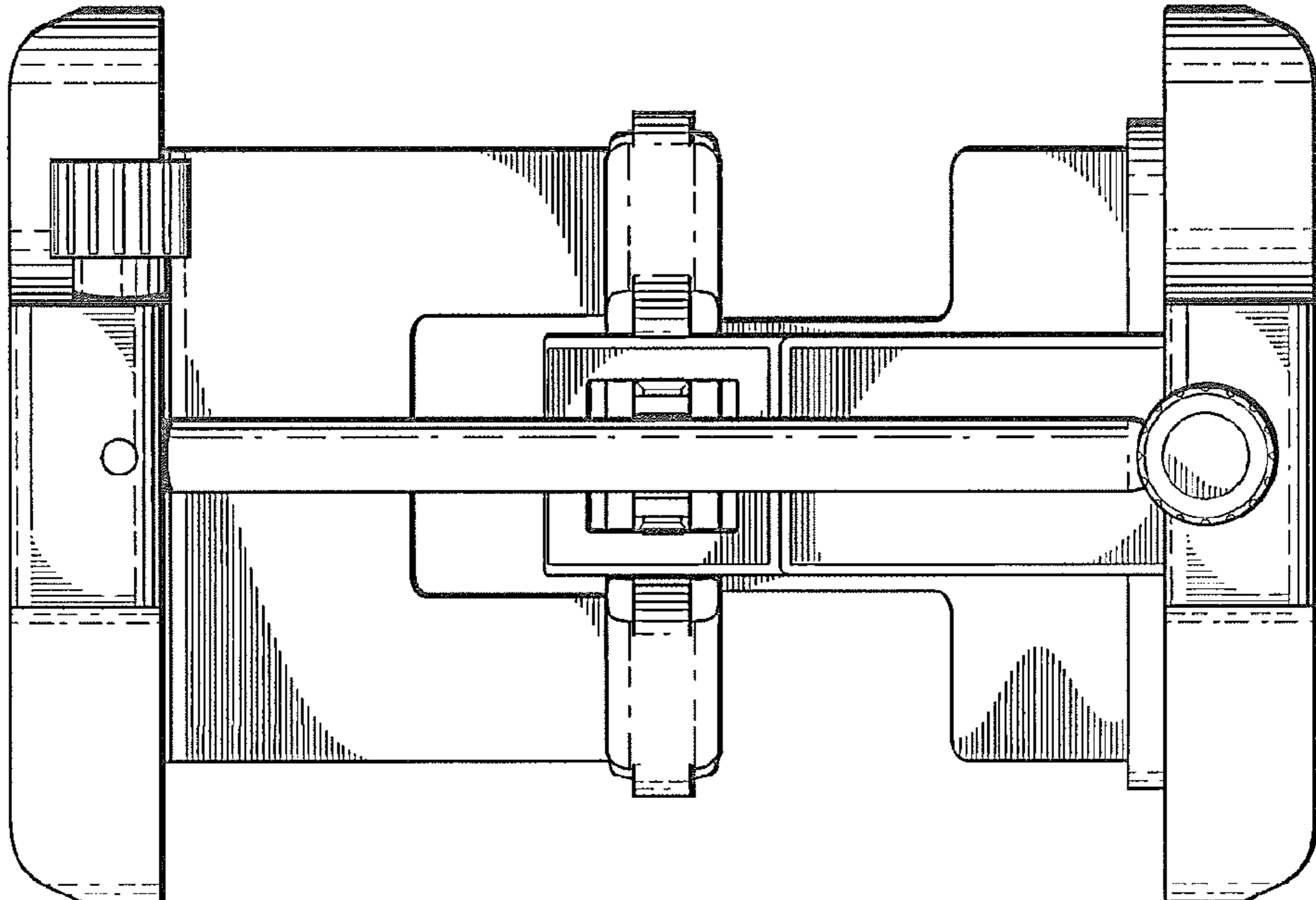


FIG. 2



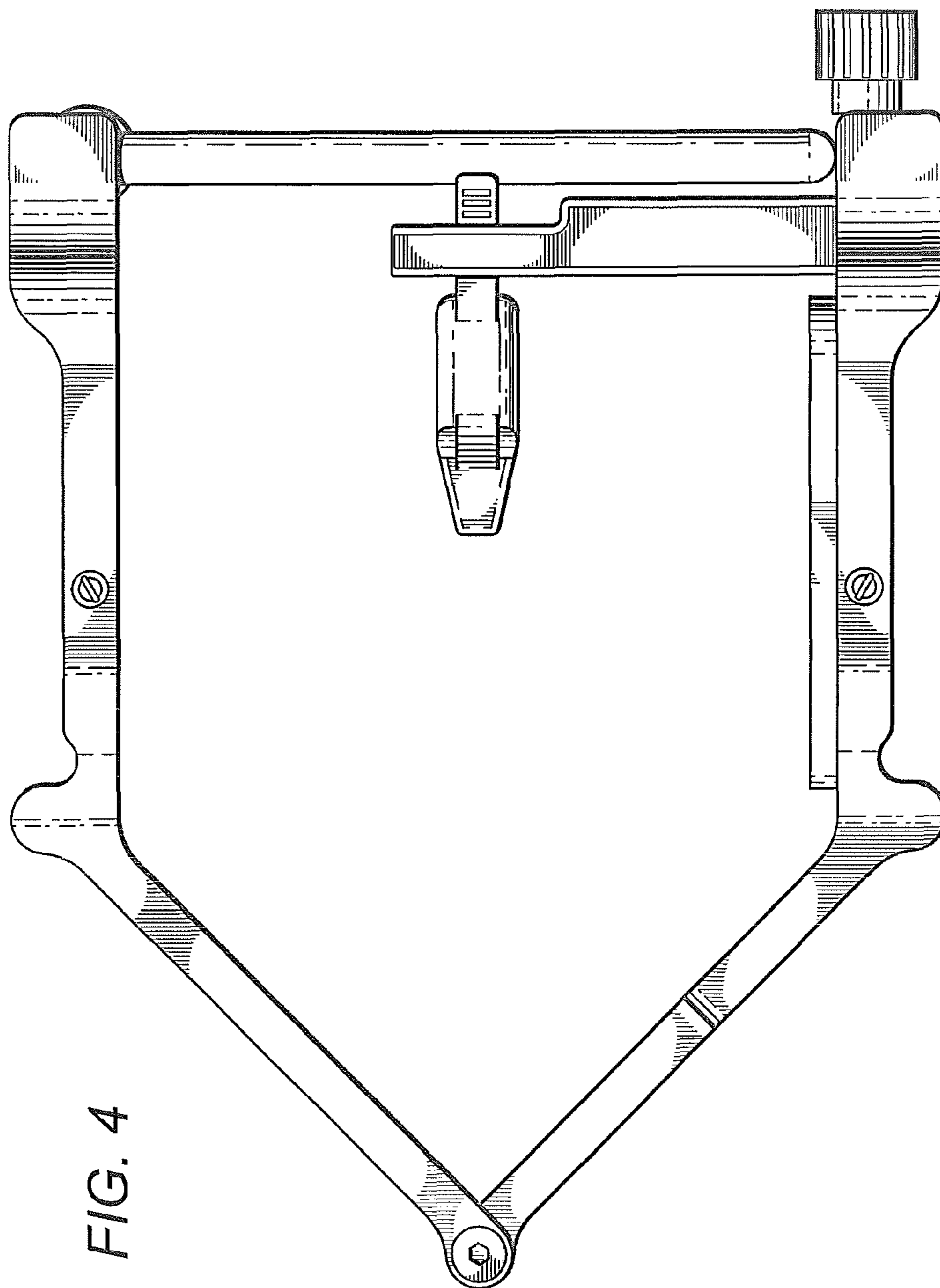


FIG. 4

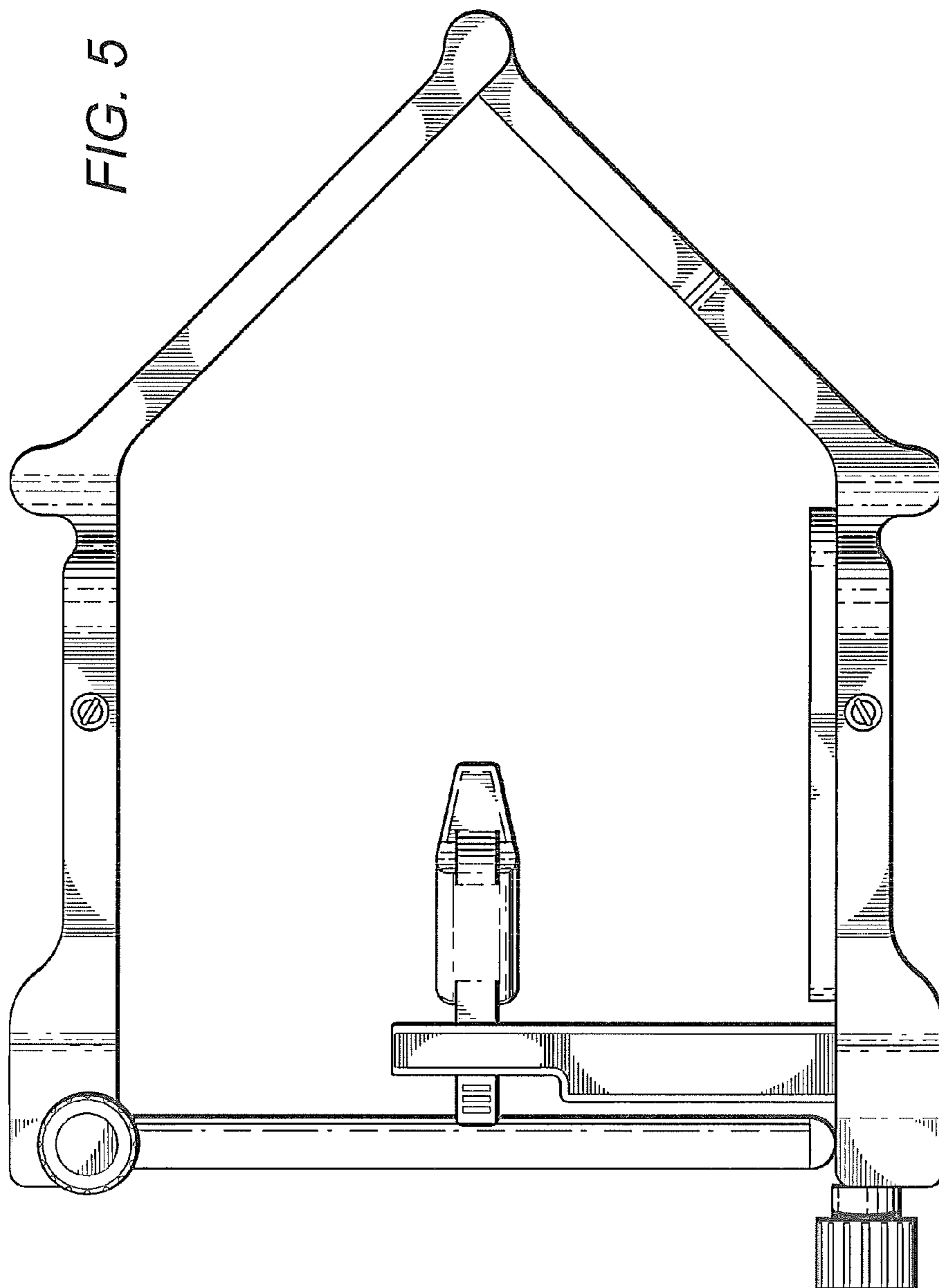


FIG. 6

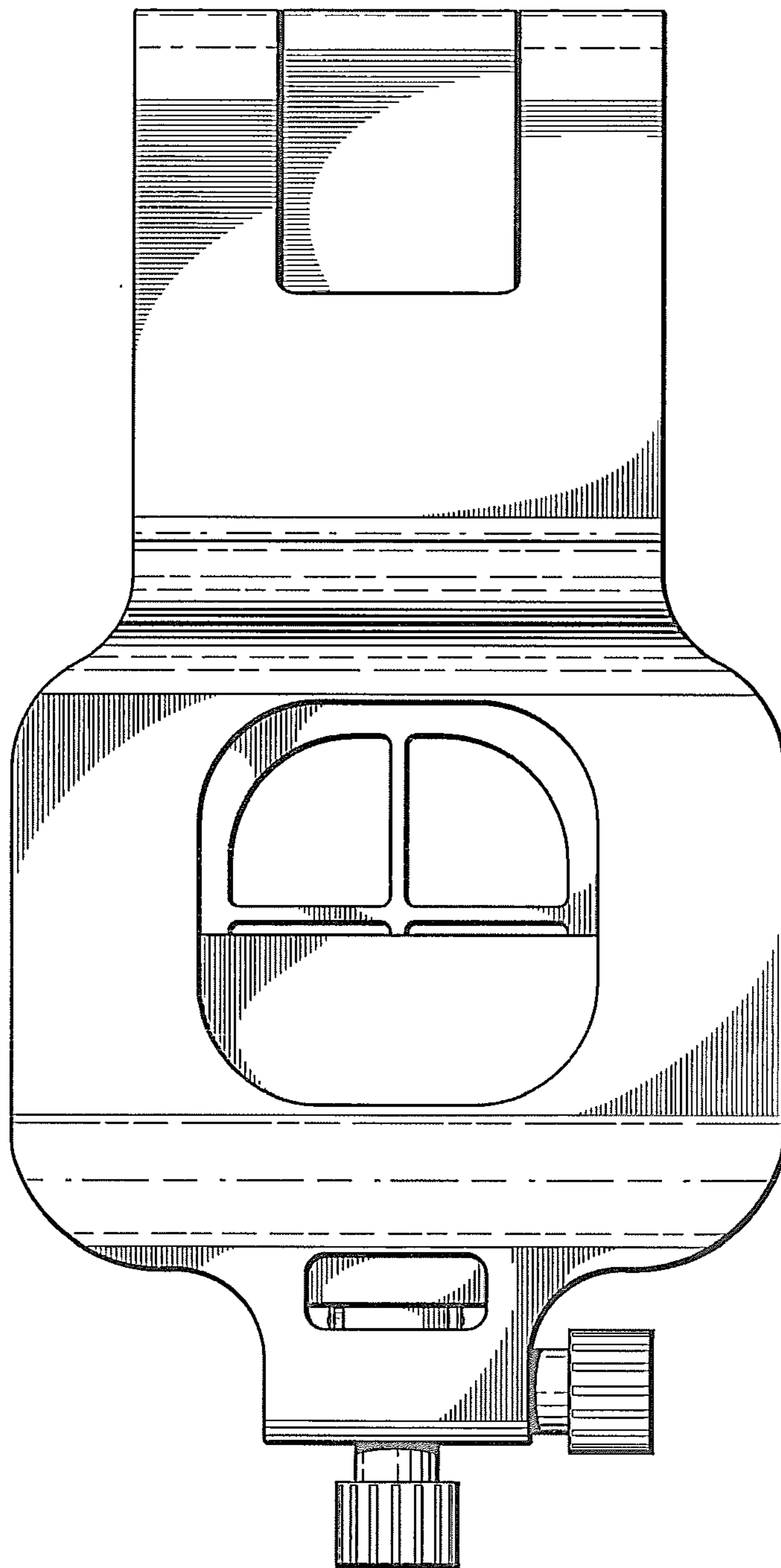


FIG. 7

