



US00D726909S

(12) **United States Design Patent**  
**Bennett**

(10) **Patent No.:** **US D726,909 S**  
(45) **Date of Patent:** **\*\* Apr. 14, 2015**

(54) **TONGUE RETRACTOR**

(71) Applicant: **John R. Bennett**, Salt Lake City, UT  
(US)

(72) Inventor: **John R. Bennett**, Salt Lake City, UT  
(US)

(\*\*) Term: **14 Years**

(21) Appl. No.: **29/460,970**

(22) Filed: **Jul. 17, 2013**

(51) **LOC (10) Cl.** ..... **24-02**

(52) **U.S. Cl.**  
USPC ..... **D24/136**

(58) **Field of Classification Search**

CPC . A61B 17/02; A61B 17/0206; A61B 17/0218  
USPC ..... D24/133, 135, 136, 140, 152, 176;  
606/191; 600/201, 240, 235, 237;  
433/140, 141

See application file for complete search history.

(56) **References Cited**

**U.S. PATENT DOCUMENTS**

2,756,742	A	7/1956	Barton	
4,064,873	A	12/1977	Swenson	
D396,107	S *	7/1998	Utas et al. ....	D24/143
D571,914	S *	6/2008	Bacher .....	D24/143
D598,101	S *	8/2009	Keckstein et al. ....	D24/143
D605,288	S *	12/2009	Brostoff et al. ....	D24/133
D614,299	S *	4/2010	Koh et al. ....	D24/133
D617,899	S *	6/2010	Koh et al. ....	D24/133
D664,646	S *	7/2012	Cuschieri et al. ....	D24/133
D669,171	S *	10/2012	Boedeker .....	D24/135
D700,698	S *	3/2014	Evans et al. ....	D24/133
D715,930	S *	10/2014	Melsheimer .....	D24/130
2005/0279355	A1 *	12/2005	Loubser .....	128/200.26
2009/0234194	A1	9/2009	Bhatt	

**OTHER PUBLICATIONS**

Wrangler Tongue Plates [http://wranglerco.trustpass.alibaba.com/productshowing/215226156-101595632/TONGUE\\_PLATE\\_PLAIN.html](http://wranglerco.trustpass.alibaba.com/productshowing/215226156-101595632/TONGUE_PLATE_PLAIN.html).

Wrangler Tongue Plates [http://wranglerco.trustpass.alibaba.com/productshowing/215226156-101595632/DOUGHTY\\_TONGUE\\_PLATE.html](http://wranglerco.trustpass.alibaba.com/productshowing/215226156-101595632/DOUGHTY_TONGUE_PLATE.html).

\* cited by examiner

*Primary Examiner* — Bridget L Eland

(74) *Attorney, Agent, or Firm* — Maschoff Brennan

(57) **CLAIM**

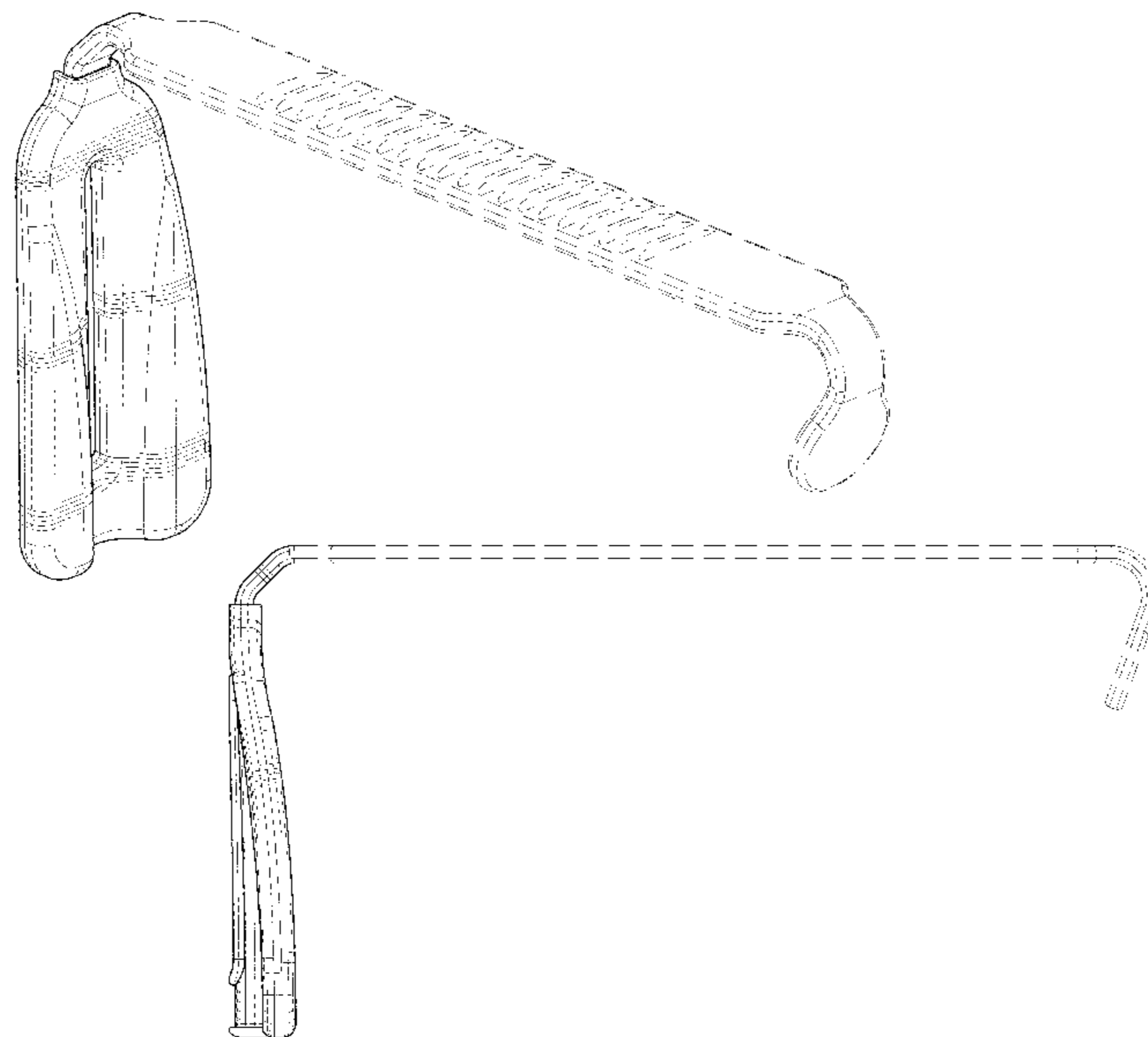
The ornamental design for a tongue retractor, as shown and described.

**DESCRIPTION**

FIG. 1 is a first side perspective view of a tongue retractor showing my new design with a cover removed; FIG. 2 is a second side perspective view of the tongue retractor shown in FIG. 1 with the cover removed; FIG. 3 is a second side perspective view of the tongue retractor shown in FIG. 1 with the cover attached; FIG. 4 is a third side view of the tongue retractor shown in FIG. 1 with the cover attached; FIG. 5 is a fourth side view of the tongue retractor shown in FIG. 1 with the cover attached; FIG. 6 is a fifth side view of the tongue retractor shown in FIG. 1 with the cover attached; FIG. 7 is a first side view of the tongue retractor shown in FIG. 1 with the cover attached; and, FIG. 8 is a second side view of the tongue retractor shown in FIG. 1 with the cover attached.

The broken lines shown in the views are included for the purpose of illustrating portions of the tongue retractor that form no part of the claimed design.

**1 Claim, 6 Drawing Sheets**



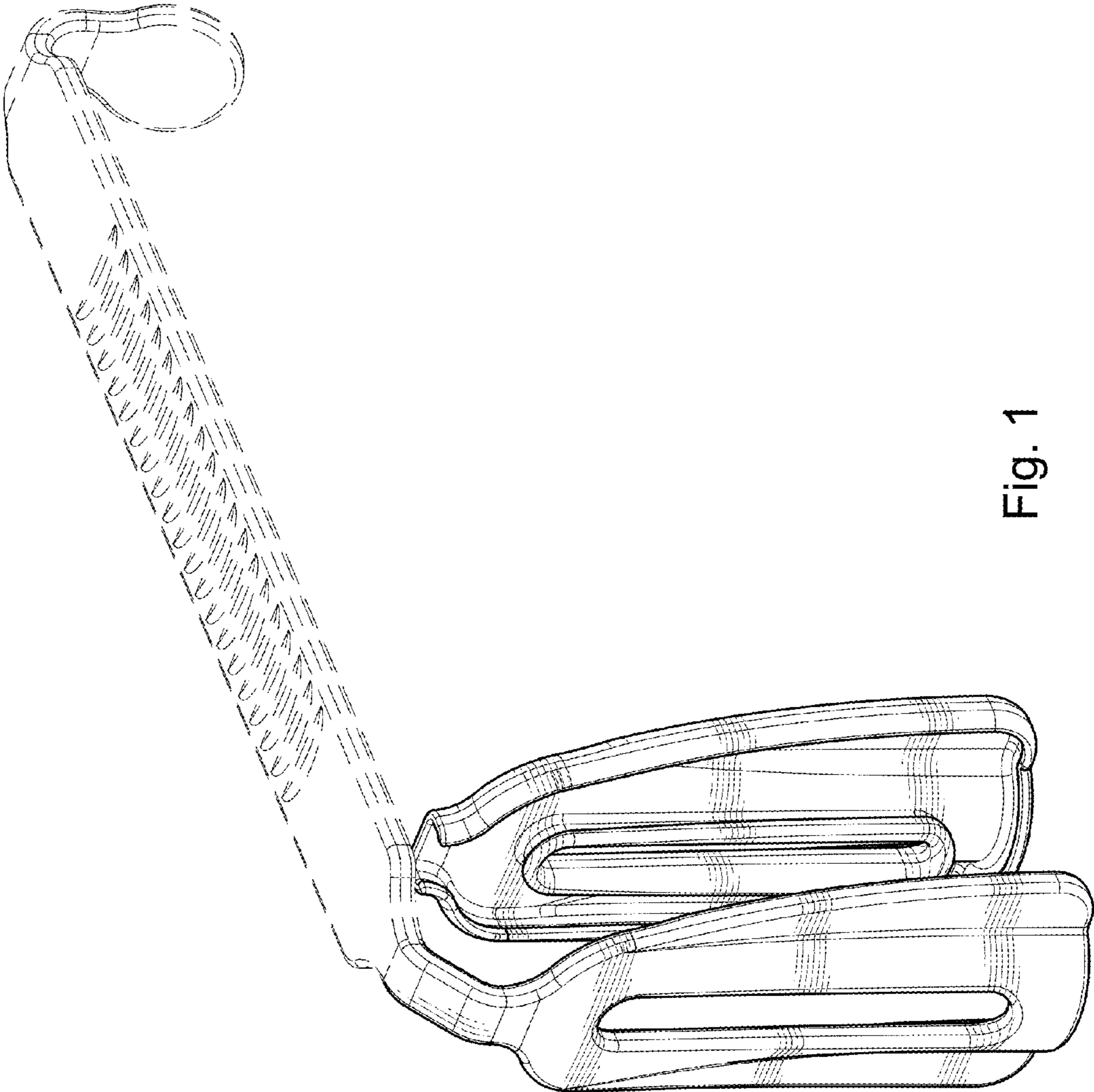


Fig. 1

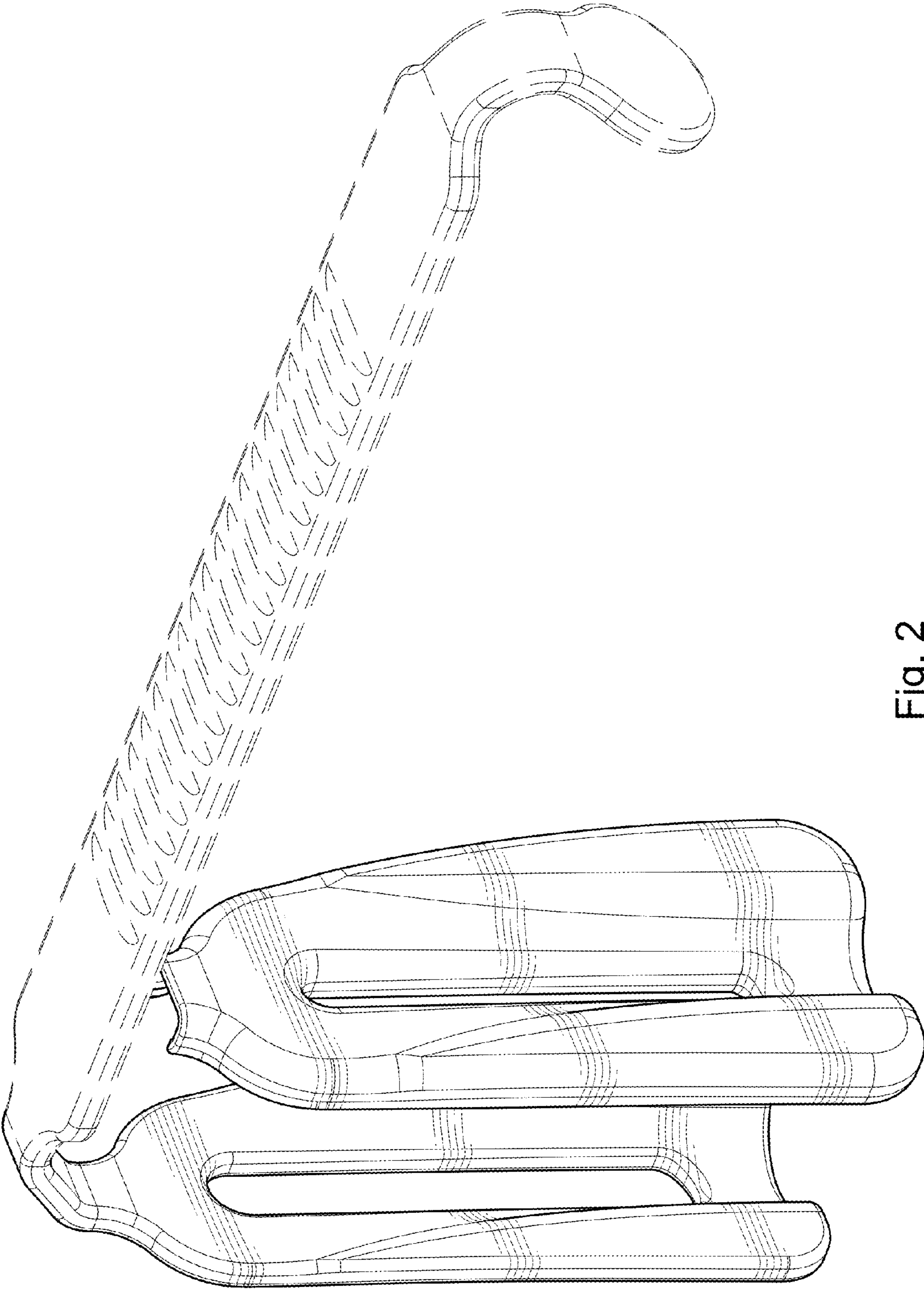


Fig. 2

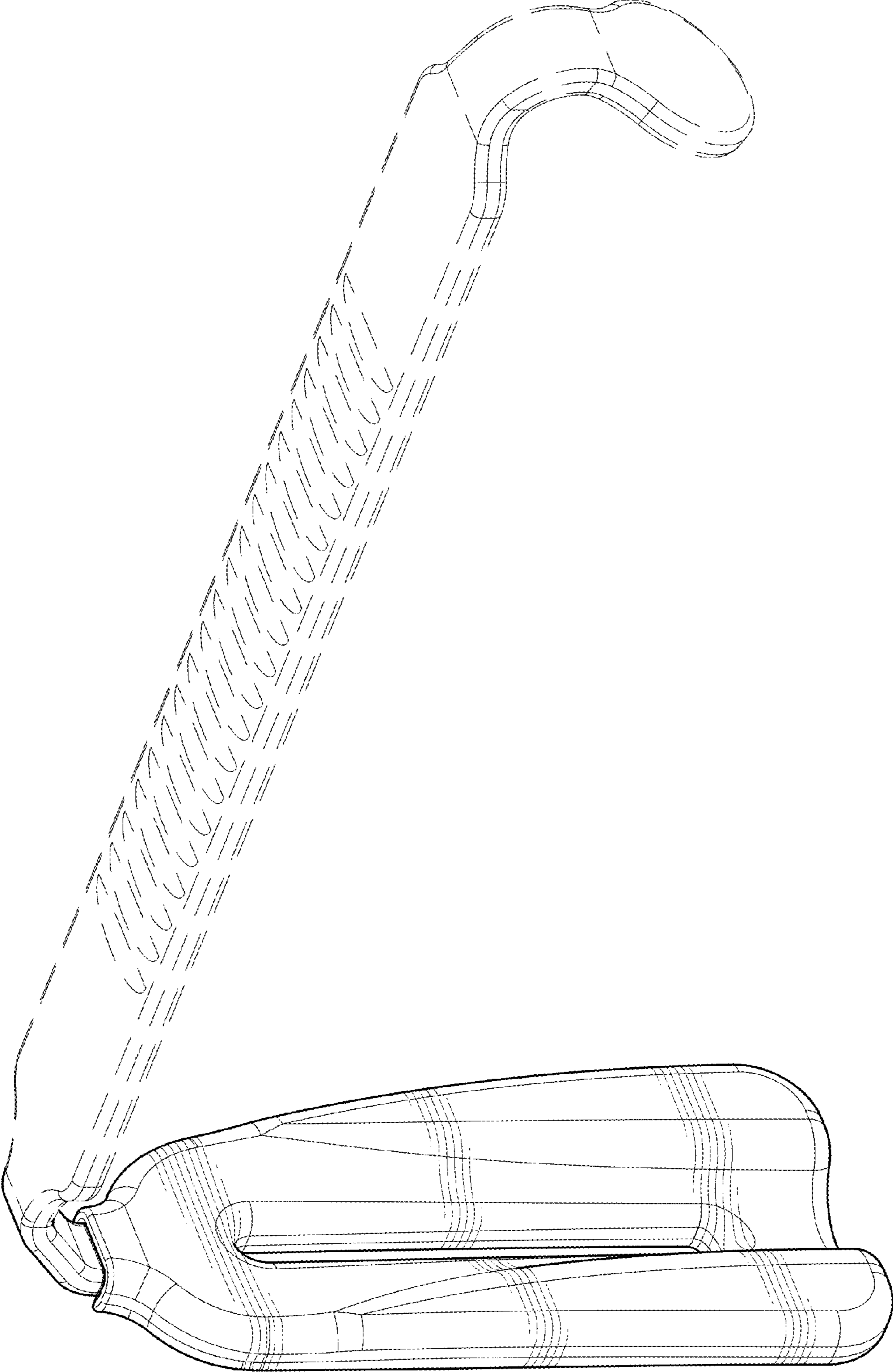


Fig. 3

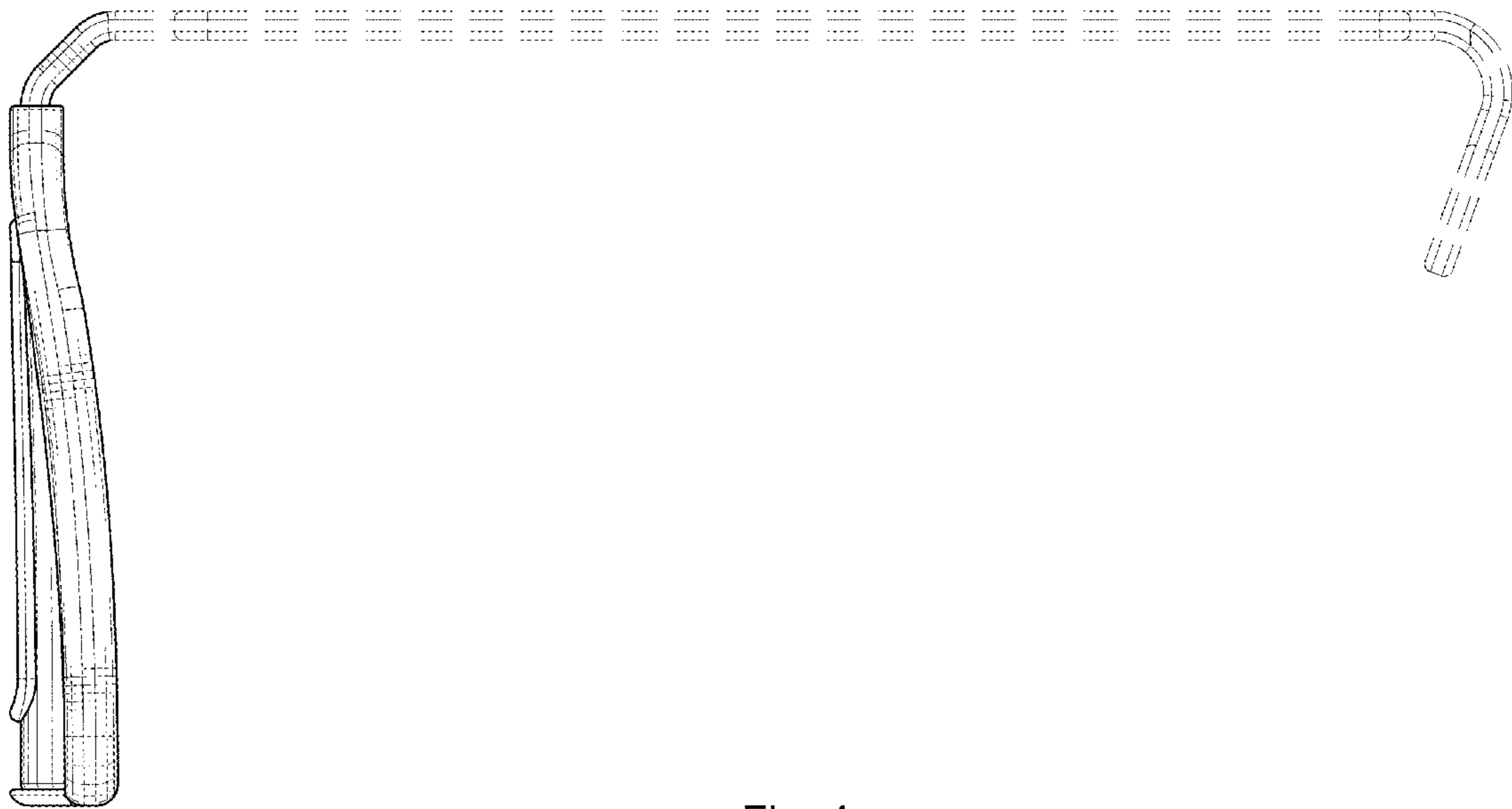


Fig. 4

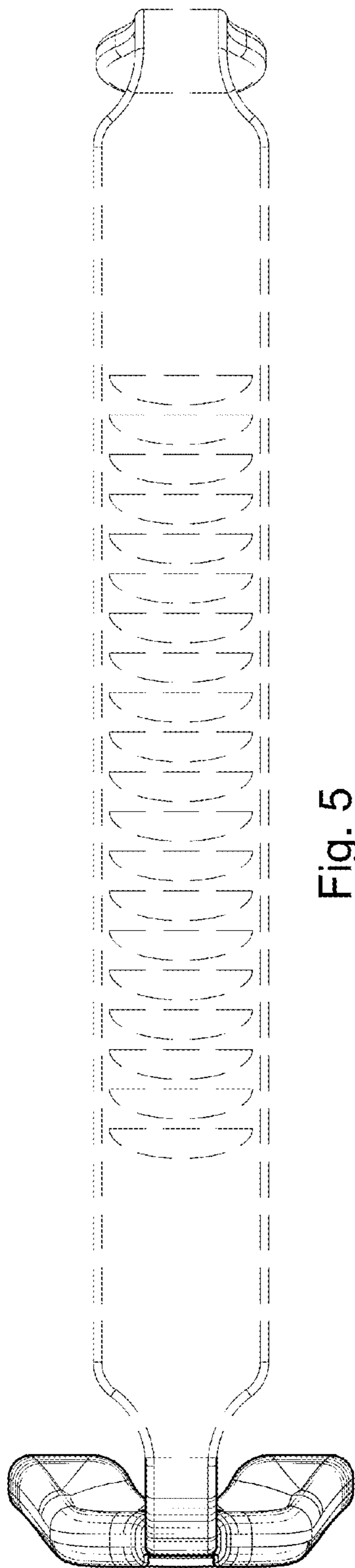


Fig. 5

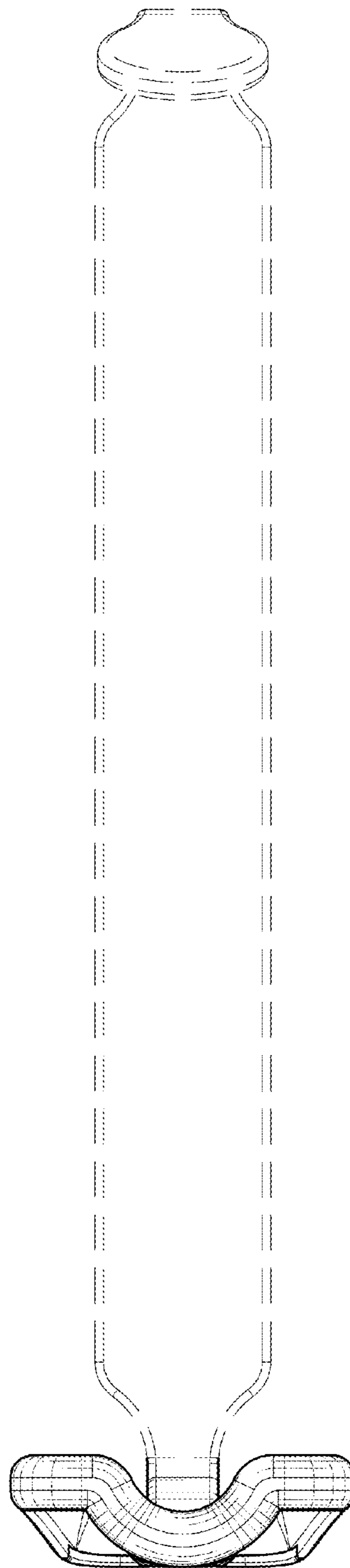


Fig. 6

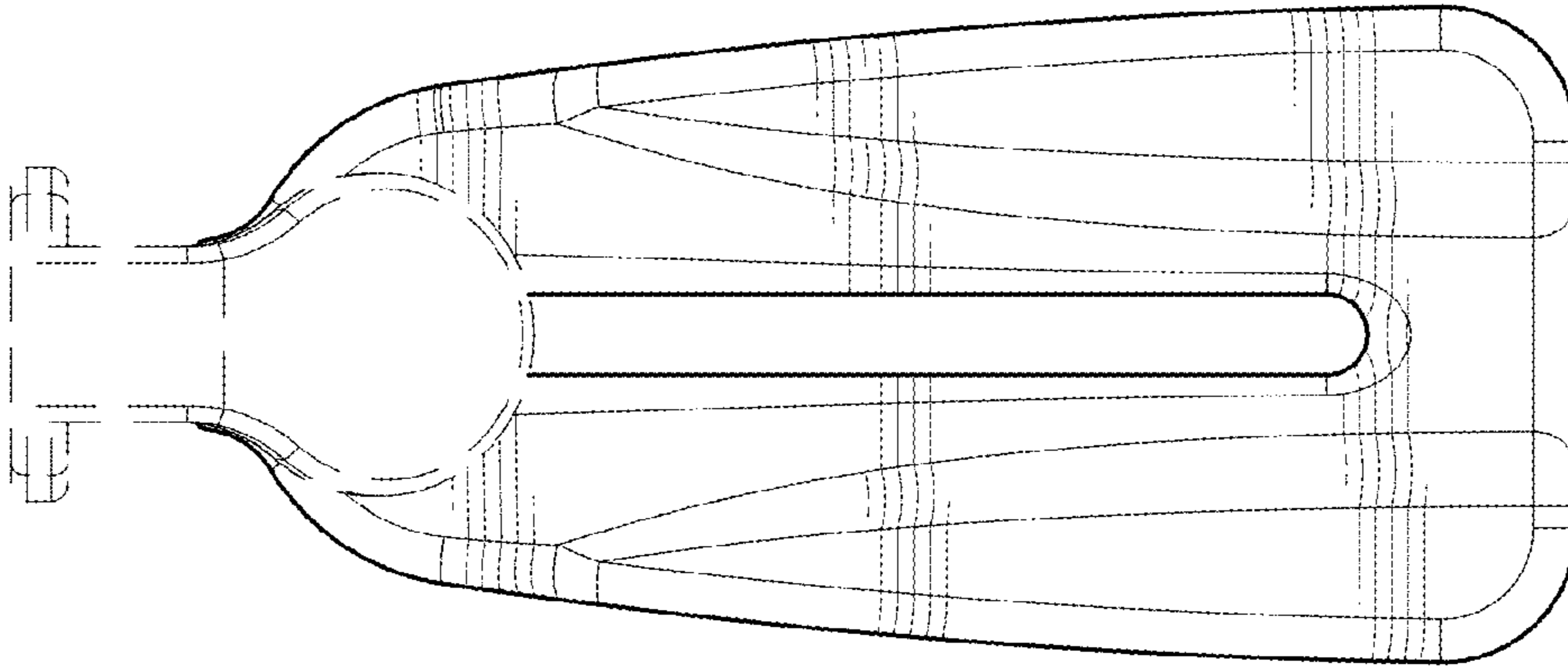


Fig. 8

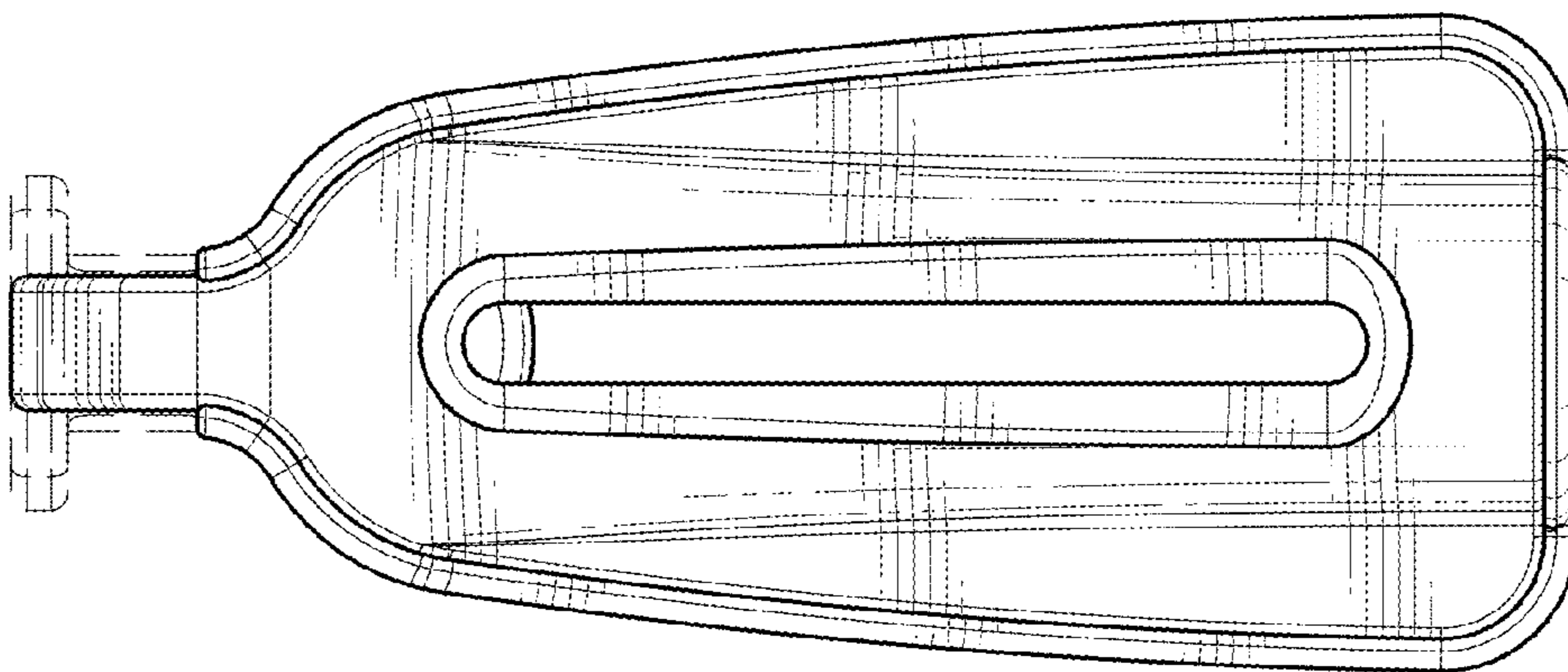


Fig. 7