



US00D726907S

(12) **United States Design Patent**
Trump

(10) **Patent No.:** **US D726,907 S**

(45) **Date of Patent:** **** Apr. 14, 2015**

(54) **NEEDLE TIP**

(71) Applicant: **Martin Trump**, Pforzheim (DE)

(72) Inventor: **Martin Trump**, Pforzheim (DE)

(73) Assignee: **STRATEC Biomedical AG**, Birkenfeld (DE)

(**) Term: **14 Years**

(21) Appl. No.: **29/435,068**

(22) Filed: **Oct. 19, 2012**

(30) **Foreign Application Priority Data**

Apr. 20, 2012 (EM) 002030023-0005

(51) **LOC (10) Cl.** **24-02**

(52) **U.S. Cl.**
USPC **D24/130**

(58) **Field of Classification Search**
USPC D24/112-114, 129, 130, 127, 133, 186,
D24/108, 224; 606/181, 185; 604/263, 264,
604/500, 506, 272, 115, 164.01-164.09,
604/533, 232, 187, 168.01, 192, 19, 48,
604/93.01, 523, 524, 526; 600/101, 139,
600/143; 128/200.24, 207.14, 207.15;
422/501, 524, 554, 564

See application file for complete search history.

(56) **References Cited**

U.S. PATENT DOCUMENTS

D258,266 S 2/1981 Curran et al.
D274,652 S * 7/1984 DeVaughn D24/222

D286,570 S * 11/1986 Williams D24/222
D330,428 S 10/1992 Lewis et al.
D342,793 S 12/1993 Balmer
D373,827 S * 9/1996 Polaniec D24/222
D380,555 S 7/1997 Kurosaki et al.
D401,700 S 11/1998 Gray et al.
5,964,740 A * 10/1999 Ouchi 604/264
6,117,391 A 9/2000 Mootz et al.
D449,378 S * 10/2001 Rogone et al. D24/112
D465,844 S * 11/2002 Anderson et al. D24/130
6,863,662 B2 * 3/2005 Luther 604/264
D560,816 S 1/2008 Talmer et al.
D583,481 S 12/2008 Yamamoto et al.
D620,107 S * 7/2010 Bartlett et al. D24/138
D652,918 S * 1/2012 Egli et al. D24/130
D661,403 S 6/2012 Connelly et al.
8,257,322 B2 * 9/2012 Koehler et al. 604/263
D679,803 S * 4/2013 Carter D24/112
D685,910 S * 7/2013 Sundberg D24/141
D700,318 S * 2/2014 Amoah et al. D24/112
2010/0137778 A1 6/2010 Kunjan et al.
2012/0156796 A1 6/2012 Drechsler et al.

* cited by examiner

Primary Examiner — David Muller

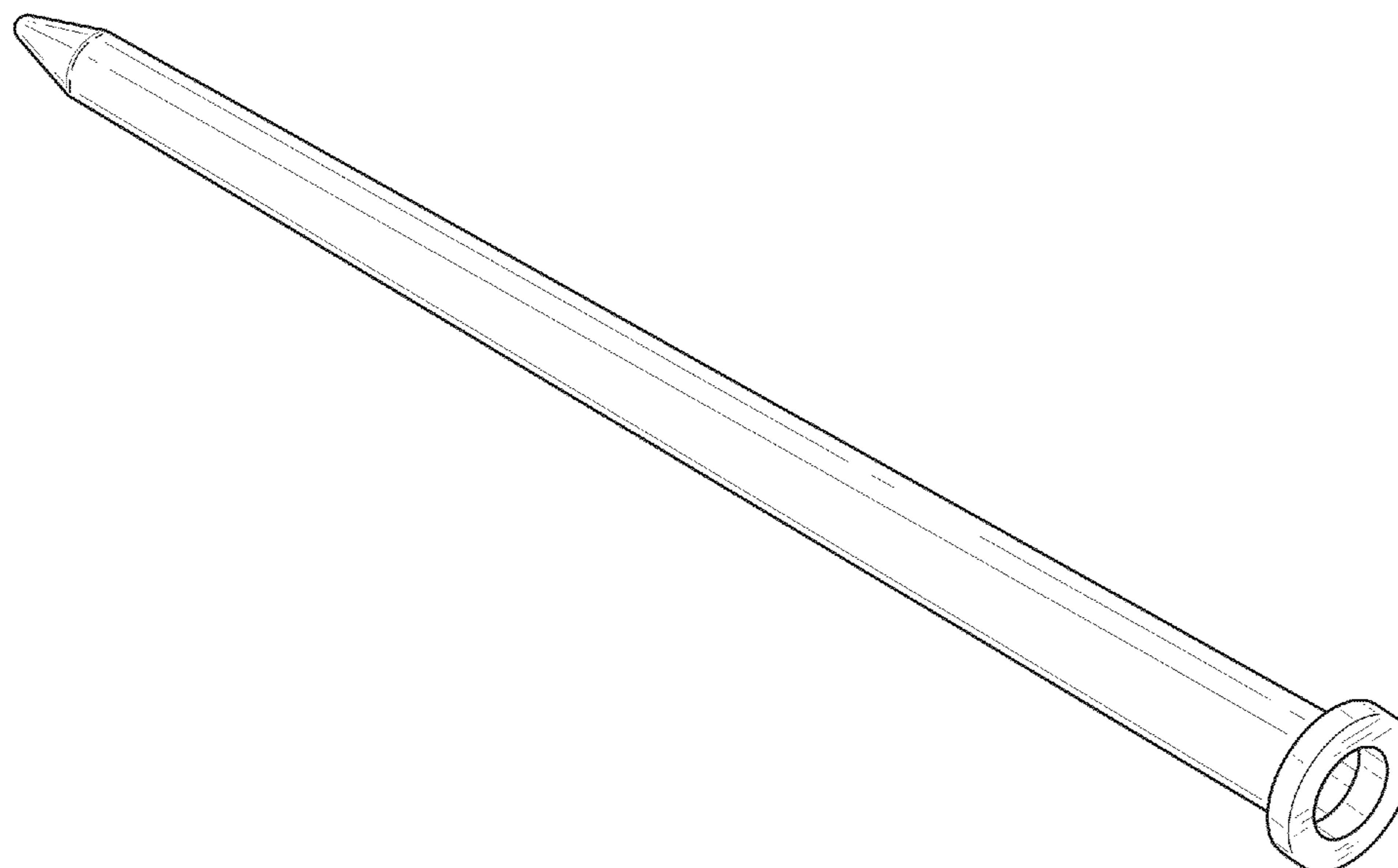
(74) *Attorney, Agent, or Firm* — 24IP Law Group; Timothy R DeWitt

(57) **CLAIM**
The ornamental design for a needle tip, as shown and described.

DESCRIPTION

FIG. 1 is a perspective view of the design.
FIG. 2 is a bottom view of the design;
FIG. 3 is a top view of the design; and,
FIG. 4 is a side view of the design.

1 Claim, 2 Drawing Sheets



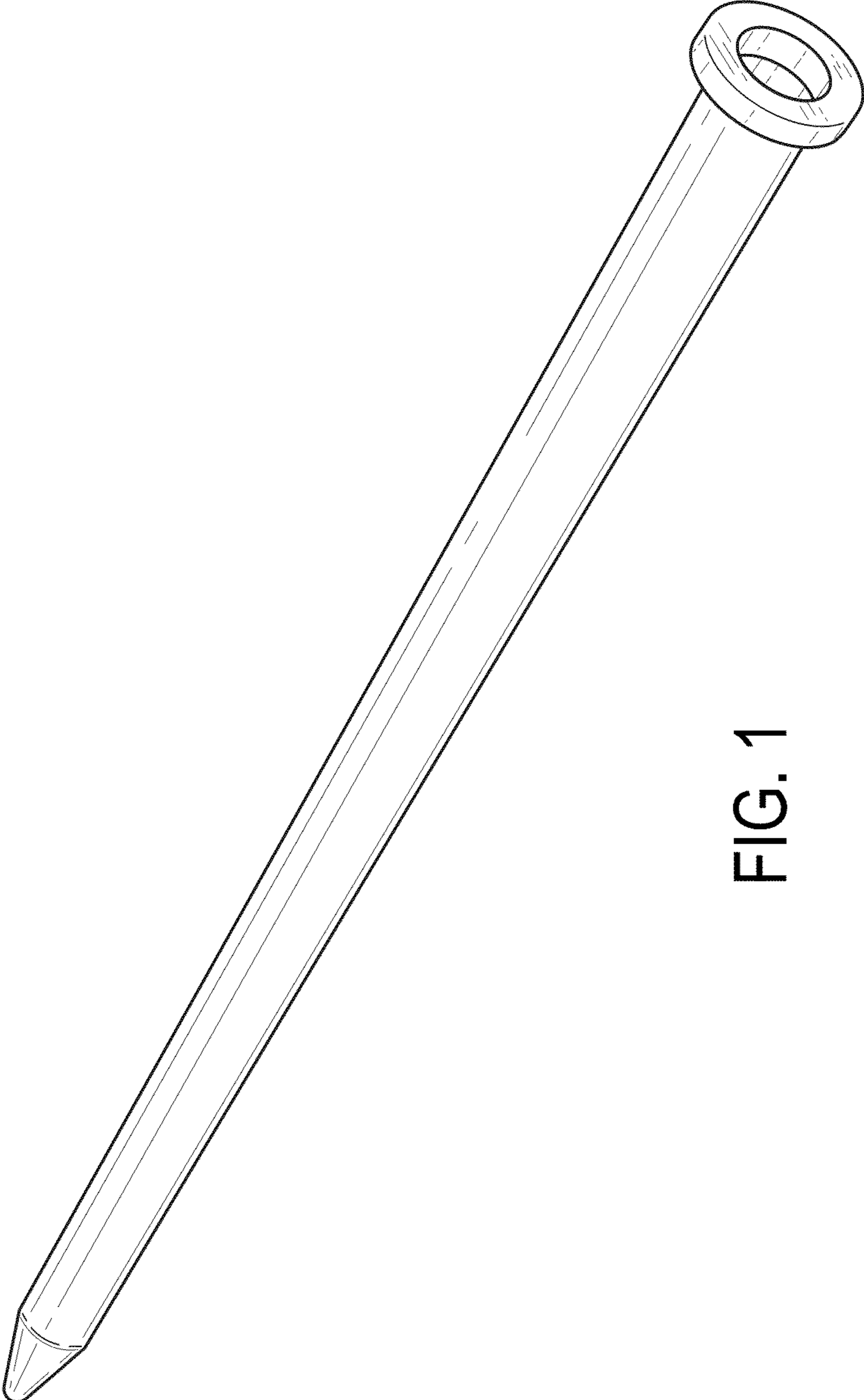


FIG. 1

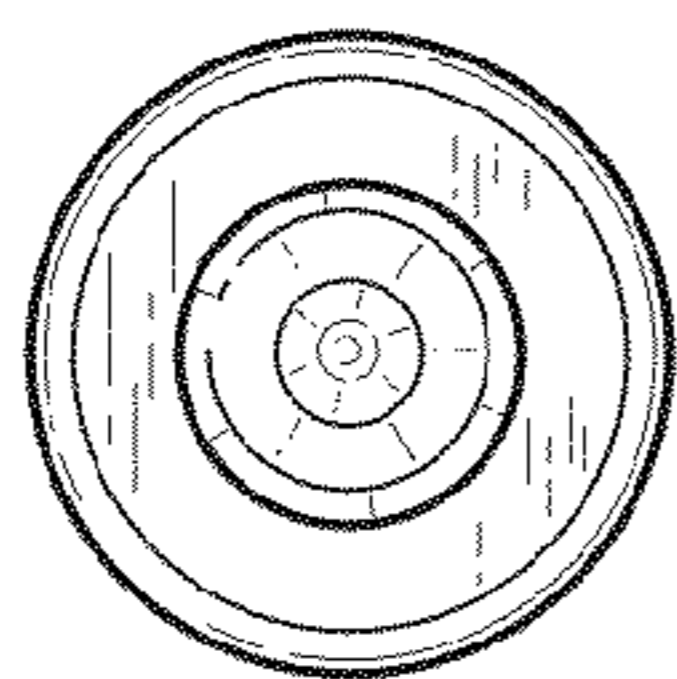


FIG. 2

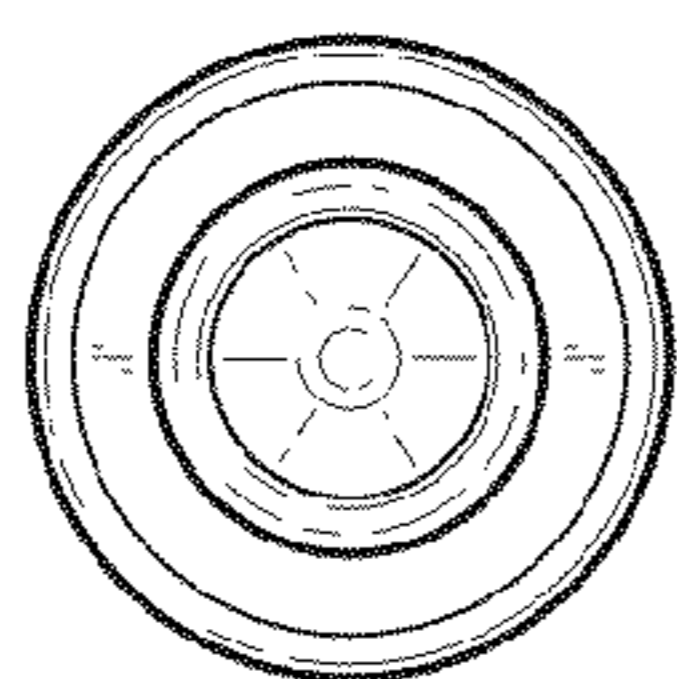


FIG. 3

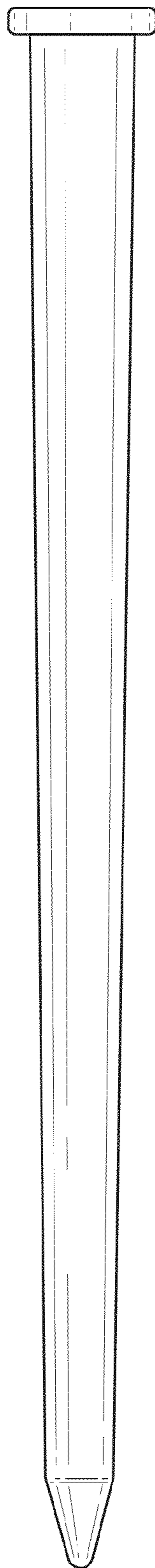


FIG. 4