



US00D726903S

(12) **United States Design Patent**
Beyers

(10) **Patent No.:** **US D726,903 S**
(45) **Date of Patent:** **** Apr. 14, 2015**

(54) **LIQUID COLLECTOR**

(71) Applicant: **Novosanis NV**, Antwerp (BE)

(72) Inventor: **Koen Beyers**, Wuustwezel (BE)

(73) Assignee: **Novosanis NV**, Antwerp (BE)

(**) Term: **14 Years**

(21) Appl. No.: **29/479,878**

(22) Filed: **Jan. 21, 2014**

(30) **Foreign Application Priority Data**

Jul. 22, 2013 (EM) 002278788-0001

(51) **LOC (10) Cl.** **24-04**

(52) **U.S. Cl.**
USPC **D24/122**

(58) **Field of Classification Search**
USPC D23/200, 233, 249, 261–263, 266, 267,
D23/268, 274, 295, 302, 309; 52/11, 12, 16,
52/58; 210/162, 447; 248/48.1, 48.2, 49;
137/138, 140, 247; D24/108, 112,
D24/121–123, 127–130, 224;
4/144.1–144.4, 459, 460; 604/317,
604/318, 329, 334; 600/573, 574; D7/700
See application file for complete search history.

(56) **References Cited**

U.S. PATENT DOCUMENTS

2,878,486 A * 3/1959 Bartlett et al. 4/144.4
3,680,543 A * 8/1972 Cox 600/574
D240,083 S * 5/1976 Gregor et al. D24/122
D255,596 S * 6/1980 Johnson D23/263
4,393,881 A * 7/1983 Shah 600/573
D288,840 S * 3/1987 Williams D23/261
D304,486 S * 11/1989 Elder et al. D23/233

D337,959 S * 8/1993 Lawhon et al. D10/103
D347,271 S * 5/1994 Inda et al. D23/263
D354,552 S * 1/1995 Weber D23/261
D393,061 S * 3/1998 Mandich et al. D23/309
D422,674 S * 4/2000 Chrisco et al. D23/200
D465,012 S * 10/2002 Tauzer D23/259
D471,977 S * 3/2003 Levinson D24/122
D499,180 S * 11/2004 Best D24/122
D506,828 S * 6/2005 Layne et al. D24/129
D577,435 S * 9/2008 Ivie et al. D24/122
D590,481 S * 4/2009 Stimpson D23/262
7,628,775 B2 * 12/2009 Adams et al. 604/284
D617,895 S * 6/2010 Aguila D24/122
D649,239 S * 11/2011 Taravella D24/122
D658,274 S * 4/2012 Barnard D23/263
D658,549 S * 5/2012 Neumann et al. D12/106
8,251,945 B2 * 8/2012 Secrest et al. 604/35
D673,673 S * 1/2013 Wang D24/129
D703,811 S * 4/2014 Ludert et al. D24/122
D709,185 S * 7/2014 Queiroli D24/122
2006/0064034 A1 * 3/2006 Stewart et al. 600/573

* cited by examiner

Primary Examiner — Eric Goodman

Assistant Examiner — Daniel J Domino

(74) *Attorney, Agent, or Firm* — Donald J. Ranft; Kristen A. Mogavero; Collen IP

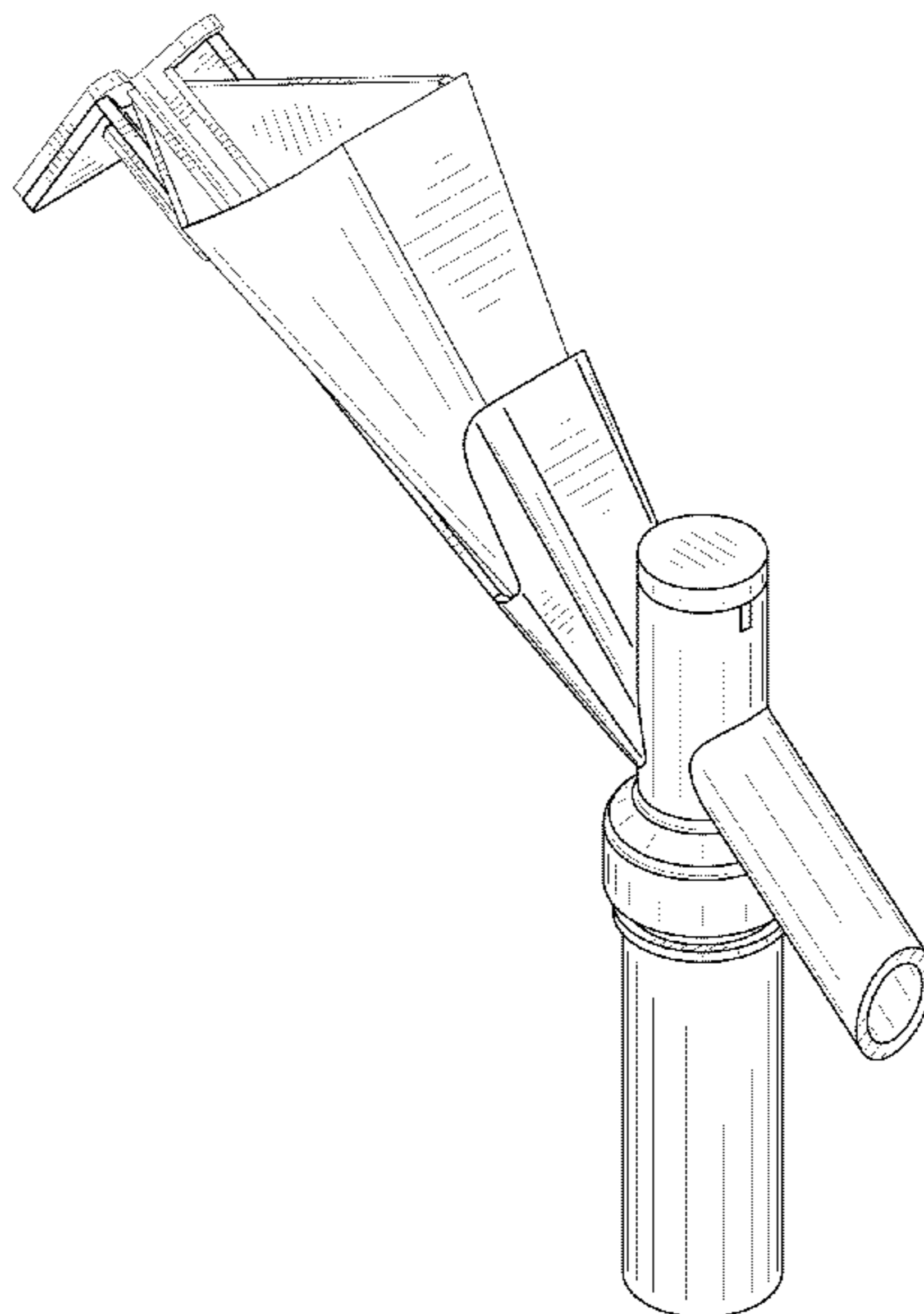
(57) **CLAIM**

The ornamental design for a liquid collector, as shown.

DESCRIPTION

FIG. 1 is a front left perspective view of a liquid collector showing my new design;
FIG. 2 is a bottom right perspective view thereof;
FIG. 3 is a top view thereof;
FIG. 4 is a bottom view thereof;
FIG. 5 is a front view thereof;
FIG. 6 is a rear view thereof; and,
FIG. 7 is a side view thereof.

1 Claim, 5 Drawing Sheets



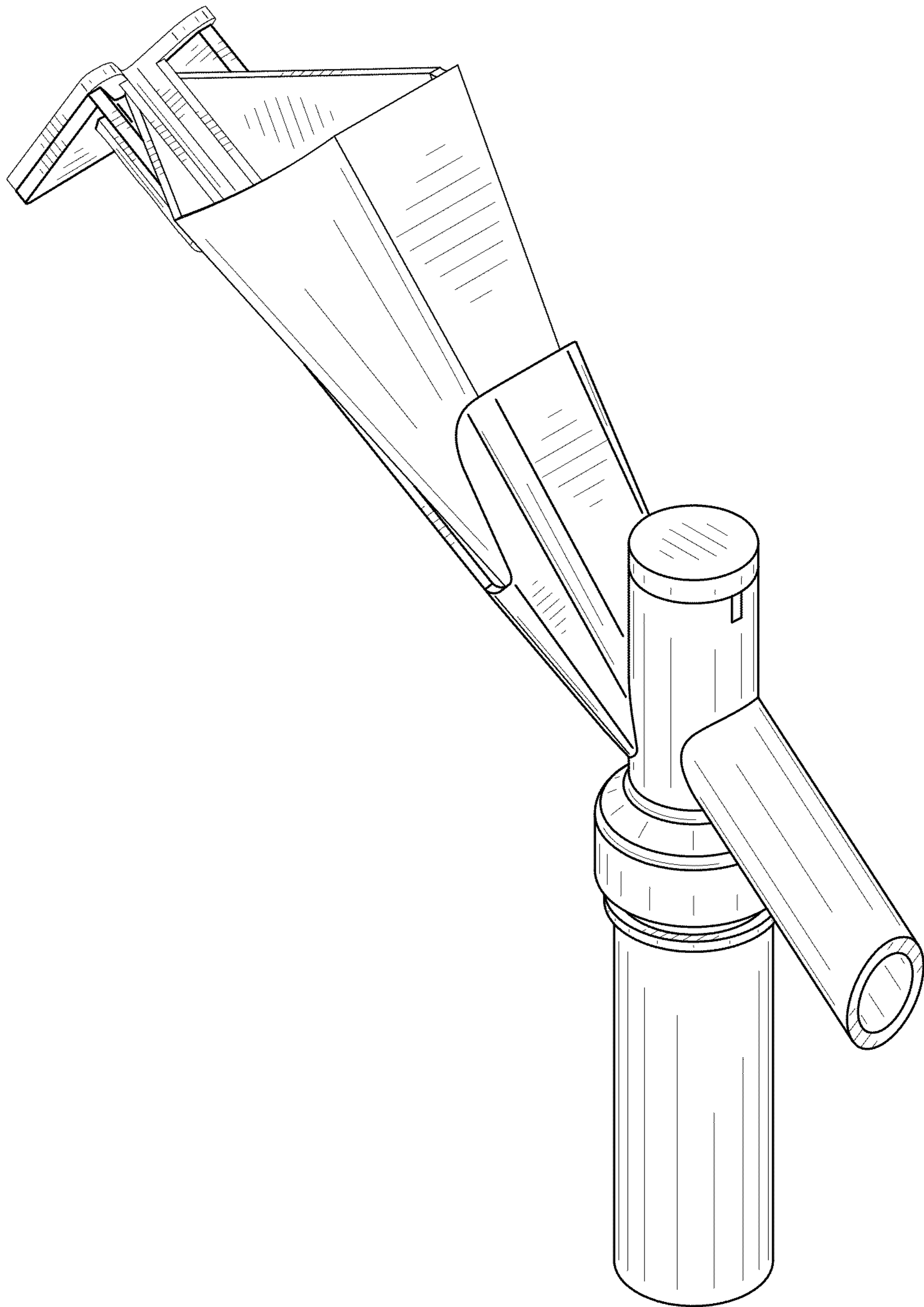


FIG. 1

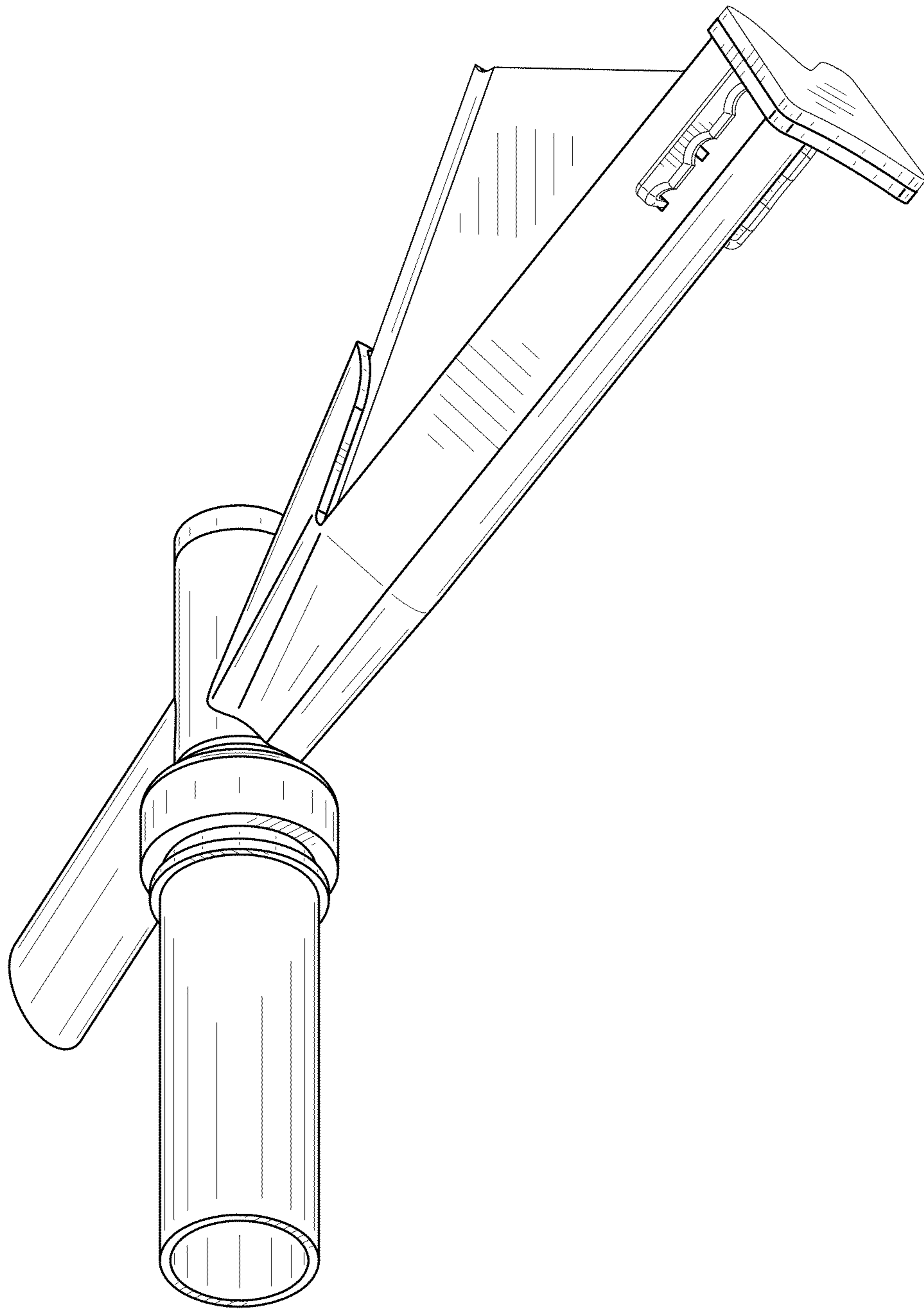


FIG. 2

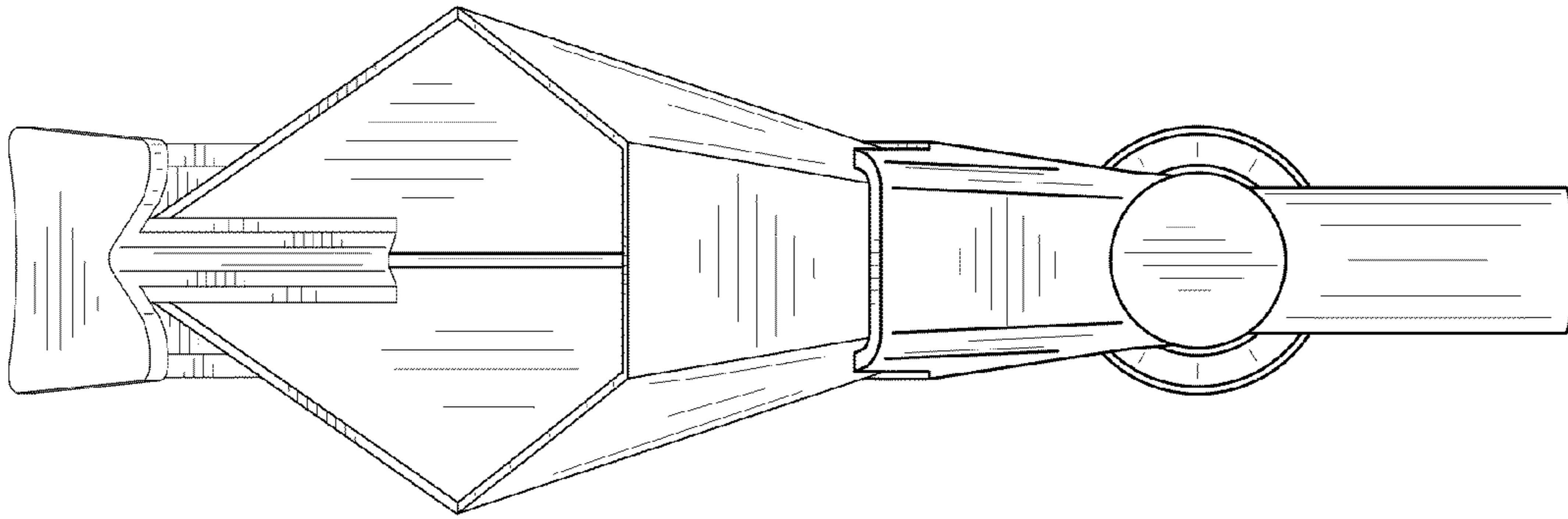


FIG. 3

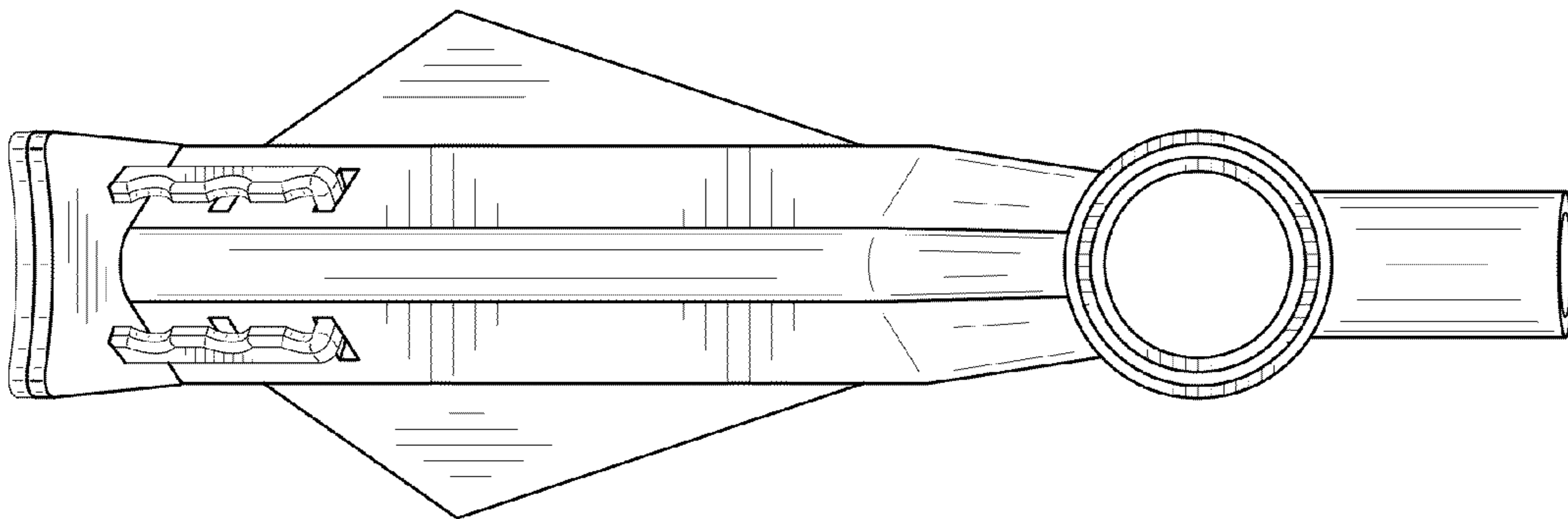


FIG. 4

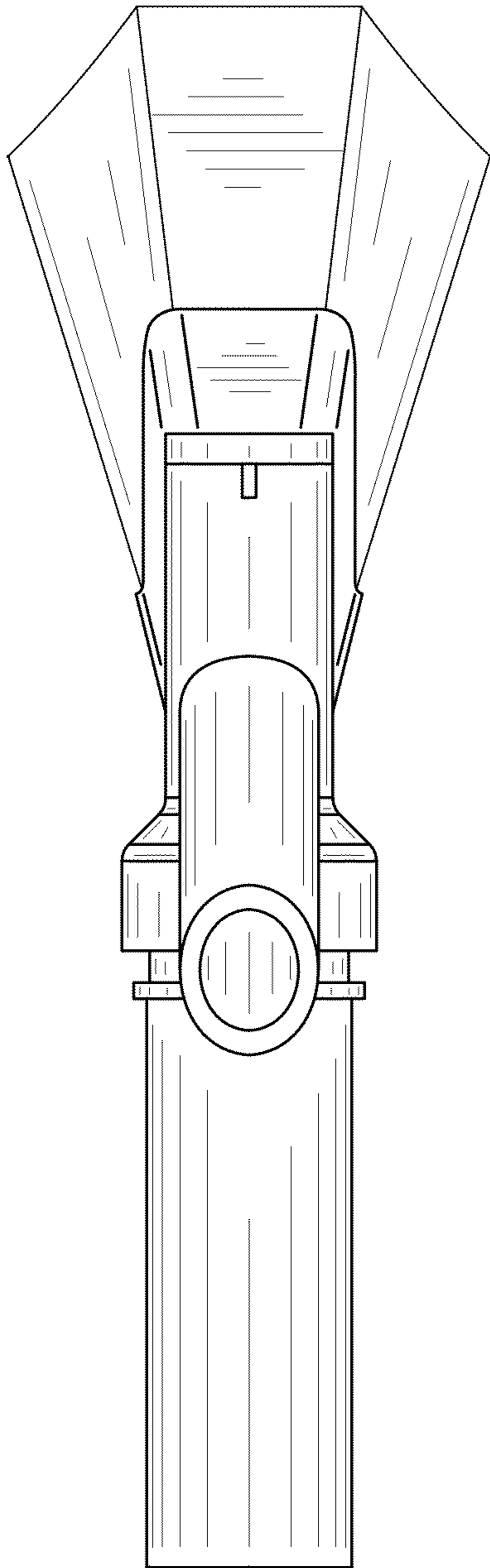


FIG. 5

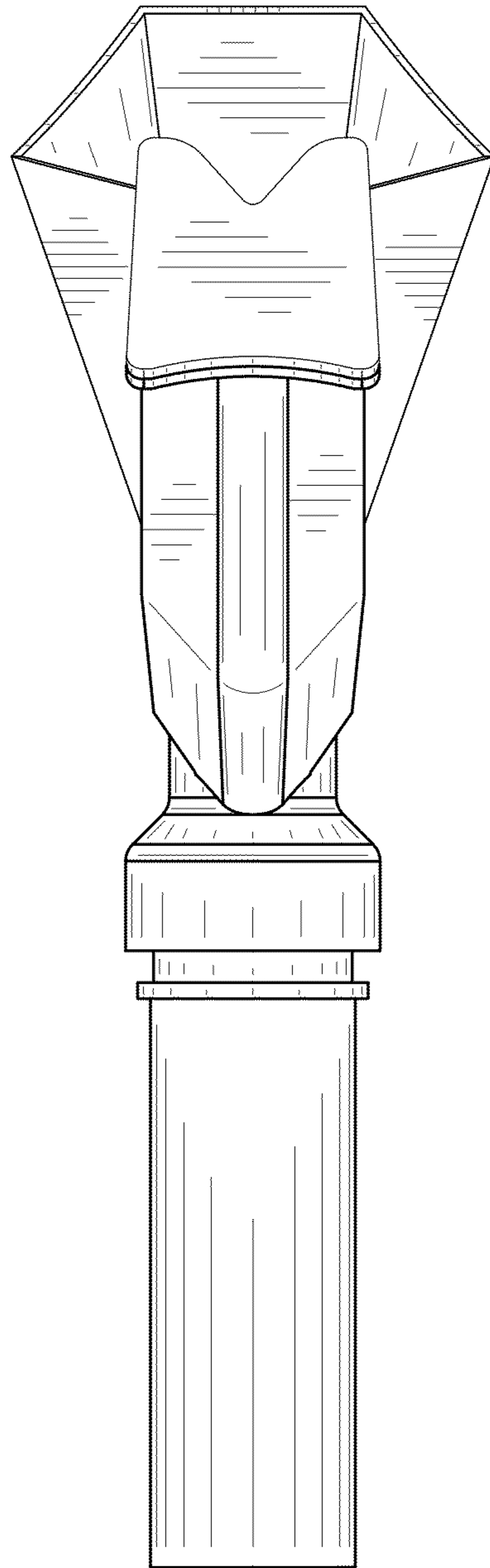


FIG. 6

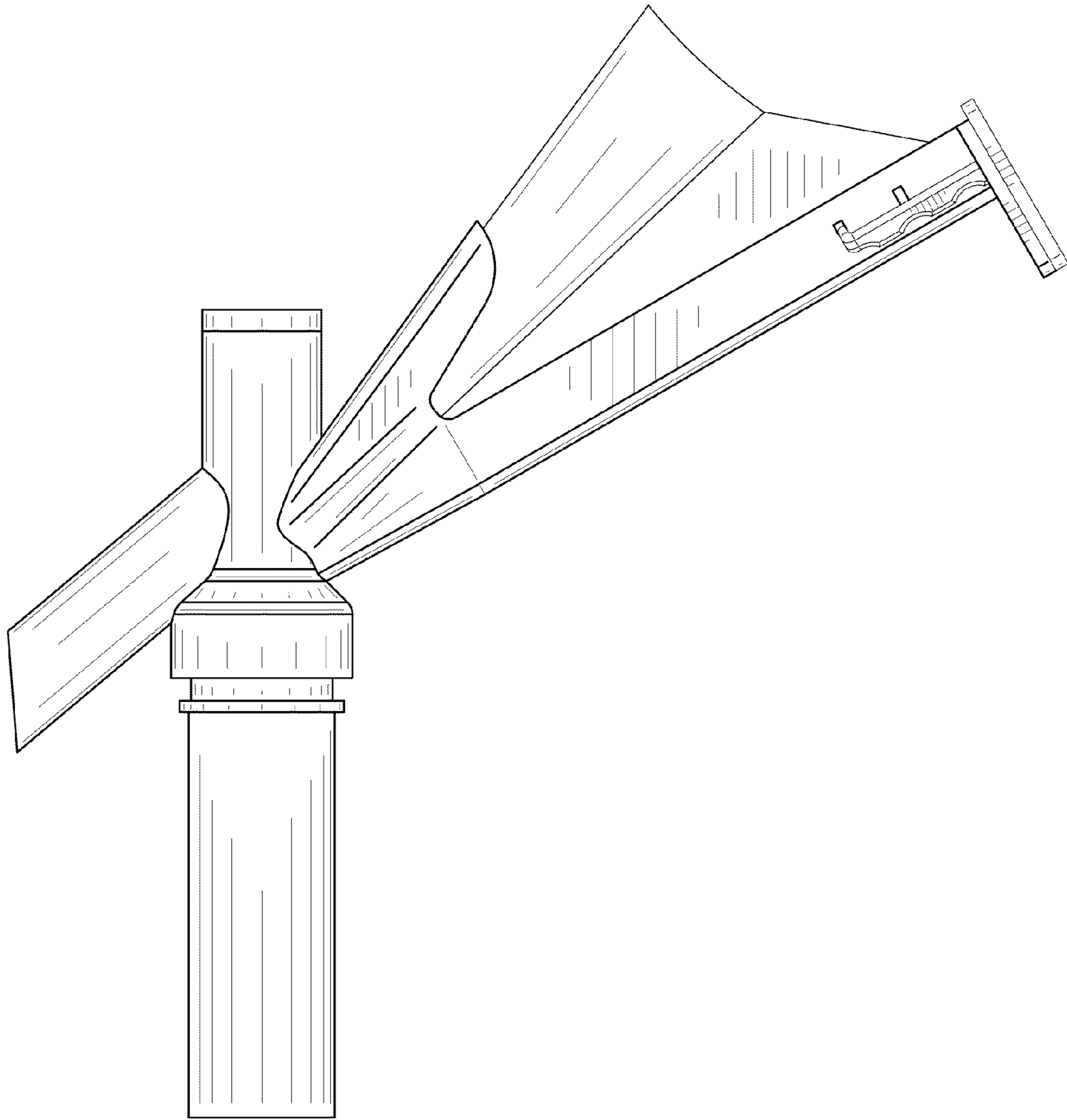


FIG. 7