



US00D726901S

(12) **United States Design Patent**  
**McLoughlin et al.**

(10) **Patent No.:** **US D726,901 S**  
(45) **Date of Patent:** **\*\* Apr. 14, 2015**

(54) **DRIVE DEVICE FOR ADMINISTERING MEDICATION**

(71) Applicant: **UCB Pharma S.A.**, Brussels (BE)  
(72) Inventors: **Martin John McLoughlin**, Burnham (GB); **Michael James David Heald**, Maidenhead (GB); **Darrell P. Morgan**, Auckland (NZ); **Kevin Richard Lozeau**, Port Melbourne (AU); **Agnete Enga**, Oslo (NO); **Daniel Formosa**, Piermont, NY (US); **Michael Schumann**, Marina Del Rey, CA (US); **Vincent Faivre d'Arcier**, New York, NY (US); **Ilario Melzi**, Milan (IT); **Stefan Verlaak**, Paderno d'Adda (IT); **Tatiana Palombi**, Cologno Monzese (IT)

(73) Assignee: **UCB Pharma S.A.**, Brussels (BE)

(\*\*) Term: **14 Years**

(21) Appl. No.: **29/438,989**

(22) Filed: **Dec. 5, 2012**

(30) **Foreign Application Priority Data**

Jul. 30, 2012 (GB) ..... 1213498.7  
Jul. 30, 2012 (GB) ..... 1213500.0  
Jul. 30, 2012 (GB) ..... 1213502.6  
Jul. 30, 2012 (GB) ..... 1213503.4

(51) **LOC (10) Cl.** ..... **24-02**

(52) **U.S. Cl.**  
USPC ..... **D24/113**

(58) **Field of Classification Search**  
USPC ..... D24/112-114, 133, 186, 104, 130, 127;  
606/181, 185; 604/154, 156-158, 65,  
604/67, 192, 131, 135, 188

See application file for complete search history.

(56) **References Cited**

U.S. PATENT DOCUMENTS

2,966,910 A 1/1961 Camber  
3,395,704 A 8/1968 Fray et al.

(Continued)

FOREIGN PATENT DOCUMENTS

EP 0 518 416 A1 12/1992  
EP 0 824 923 A1 2/1998

(Continued)

OTHER PUBLICATIONS

International Search Report/Written Opinion PCT/IB2012/001231 dated Nov. 15, 2012.

(Continued)

*Primary Examiner* — Robert Delehanty

(74) *Attorney, Agent, or Firm* — Ropes & Gray LLP

(57) **CLAIM**

The ornamental design for a drive device for administering medication, as shown and described.

**DESCRIPTION**

FIG. 1 is a perspective view of a drive device for administering medication.

FIG. 2 is a front elevation view of the drive device for administering medication.

FIG. 3 is a rear elevation view of the drive device for administering medication.

FIG. 4 is a left side elevation view of the drive device for administering medication.

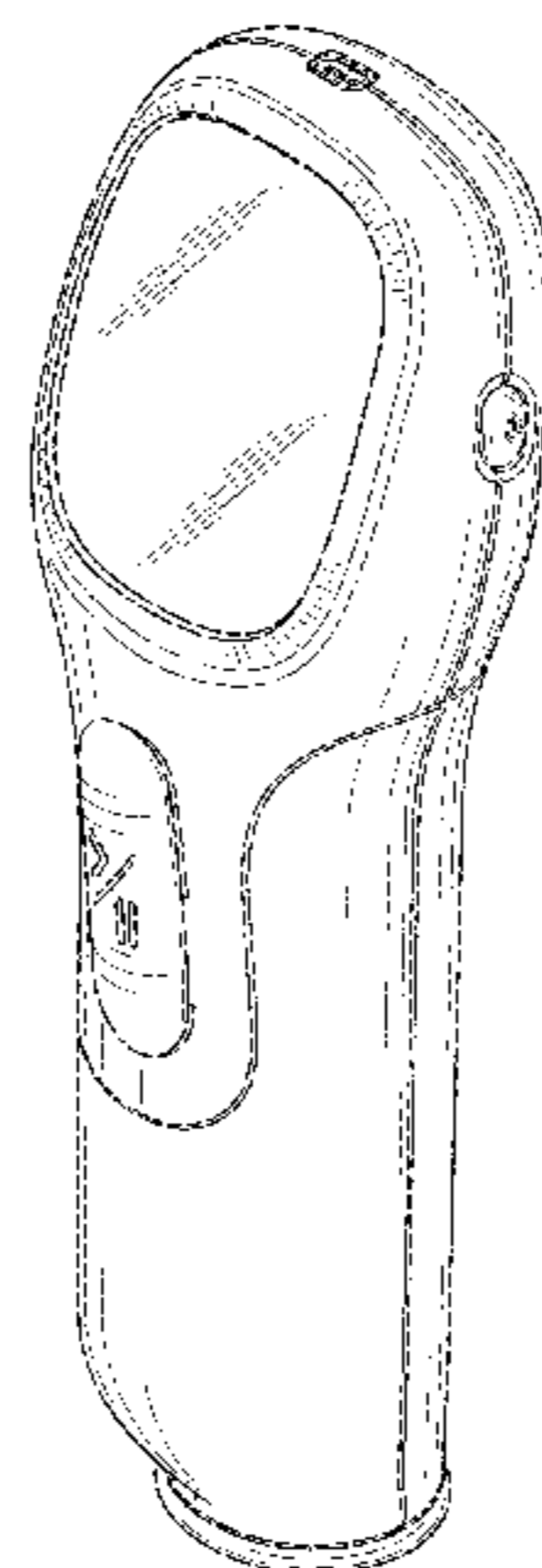
FIG. 5 is a right side elevation view of the drive device for administering medication.

FIG. 6 is a top plan view of the drive device for administering medication; and,

FIG. 7 is a bottom plan view of the drive device for administering medication.

The broken lines shown in the figures are for the purpose of illustrating certain portions of the cassette device for administering medication and form no part of the claimed design.

**1 Claim, 3 Drawing Sheets**



(56)

References Cited

U.S. PATENT DOCUMENTS

D439,657	S	3/2001	Bridle	
6,368,307	B1	4/2002	Ziemba et al.	
D484,244	S	12/2003	Starnes	
D543,273	S	5/2007	Young et al.	
7,811,260	B2	10/2010	Miller et al.	
D636,088	S *	4/2011	Loew et al.	D24/200
D650,070	S *	12/2011	Mori	D24/113
D652,512	S	1/2012	Sherwood et al.	
D652,513	S	1/2012	Sherwood et al.	
D652,919	S *	1/2012	Sherwood et al.	D24/133
D671,638	S	11/2012	Young et al.	
8,454,560	B2 *	6/2013	Strobl	604/131
8,469,922	B2 *	6/2013	Langley et al.	604/131
8,591,463	B1 *	11/2013	Cowe	604/134
D695,395	S *	12/2013	Tani et al.	D24/113
D695,396	S	12/2013	Tani et al.	
D696,770	S	12/2013	Schneider et al.	
8,834,429	B2 *	9/2014	Grant et al.	604/131
2009/0182284	A1	7/2009	Morgan	
2010/0016795	A1	1/2010	McLoughlin	

FOREIGN PATENT DOCUMENTS

EP	0 897 728	A1	2/1999
GB	2 437 922	A	11/2007
GB	2 438 593	A	12/2007
WO	WO 01/37905	A2	5/2001
WO	WO 02/09797	A1	2/2002
WO	WO 02/100467	A2	12/2002
WO	WO 03/101368	A2	12/2003
WO	WO 03/101527	A1	12/2003
WO	WO 2005/097233	A2	10/2005
WO	WO 2006/091695	A1	8/2006
WO	WO 2006/108026	A2	10/2006
WO	WO 2009/040603	A1	4/2009
WO	WO 2009/081103	A1	7/2009
WO	WO 2009/087355	A1	7/2009
WO	WO 2009/090499	A2	7/2009

WO	WO 2009/143255	A1	11/2009
WO	WO 2010/043533	A1	4/2010
WO	WO 2010/136076	A1	12/2010
WO	WO 2010/136078	A1	12/2010
WO	WO 2010/139635	A1	12/2010
WO	WO 2010/139793	A1	12/2010
WO	WO 2010/147553	A1	12/2010
WO	WO 2011/032960	A1	3/2011
WO	WO 2011/051366	A2	5/2011
WO	WO 2011/141907	A1	11/2011
WO	WO 2012/064258	A1	5/2012

OTHER PUBLICATIONS

International Search Report/Written Opinion PCT/IB2012/001705 dated Dec. 4, 2012.

International Search Report/Written Opinion PCT/IB2012/001150 dated Dec. 7, 2012.

International Search Report/Written Opinion PCT/IB2012/001172 dated Dec. 7, 2012.

International Search Report/Written Opinion PCT/IB2012/001394 dated Dec. 7, 2012.

International Search Report/Written Opinion PCT/IB2012/001426 dated Dec. 7, 2012.

International Search Report/Written Opinion PCT/IB2012/001507 dated Feb. 4, 2013.

International Search Report/Written Opinion PCT/IB2012/002105 dated Feb. 4, 2013.

International Search Report/Written Opinion PCT/IB2012/001147 dated Feb. 11, 2013.

International Search Report/Written Opinion PCT/EP2013/065940 dated Nov. 4, 2013.

International Search Report/Written Opinion PCT/EP2013/065939 dated Nov. 18, 2013.

International Search Report/Written Opinion PCT/EP2013/065934 dated Nov. 22, 2013.

International Search Report/Written Opinion PCT/EP2013/065938 dated Nov. 29, 2013.

\* cited by examiner

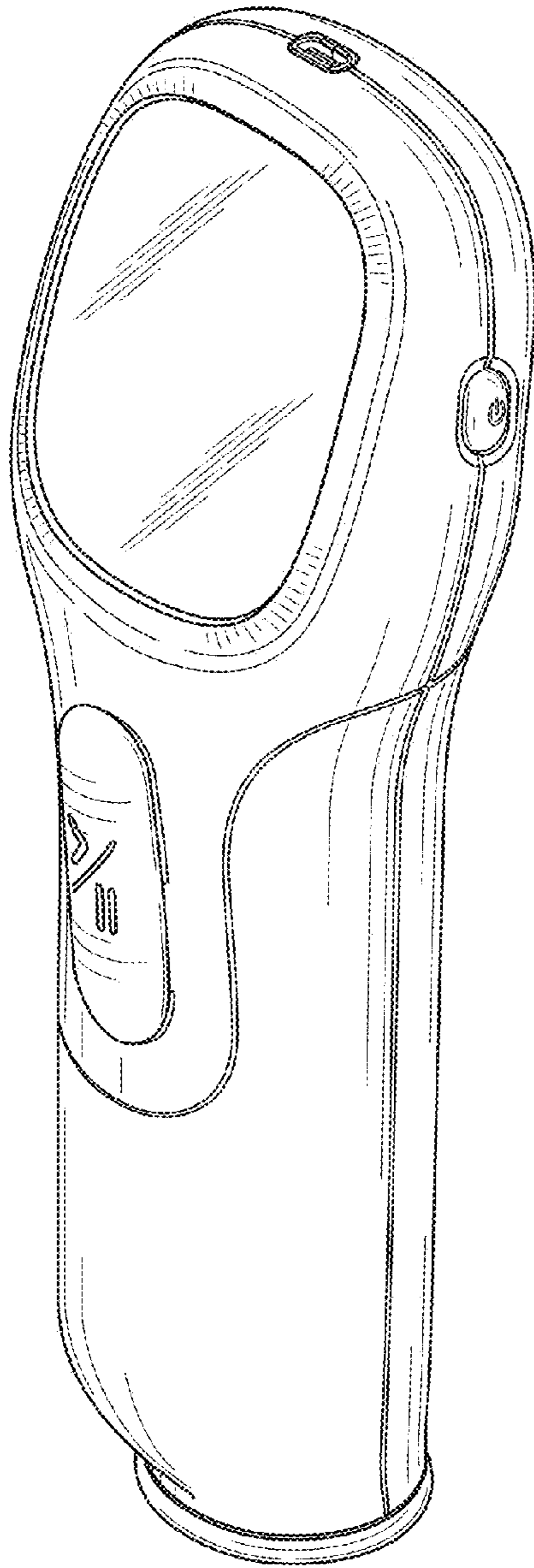


FIG. 1

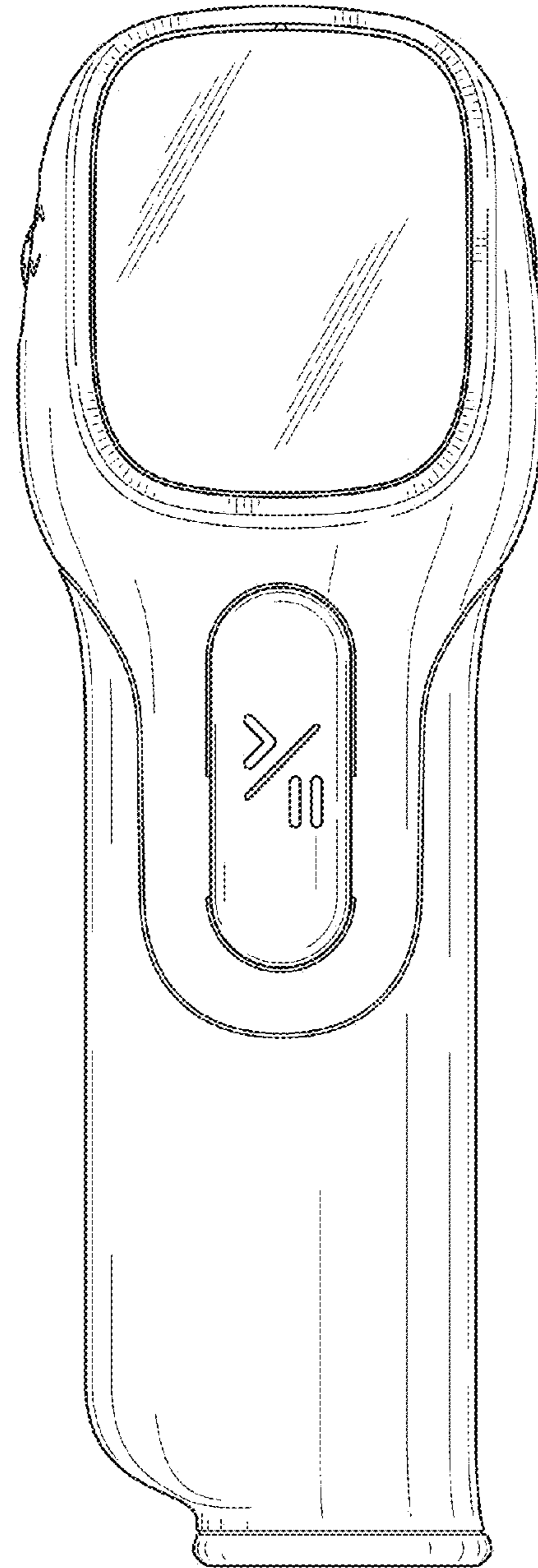


FIG. 2

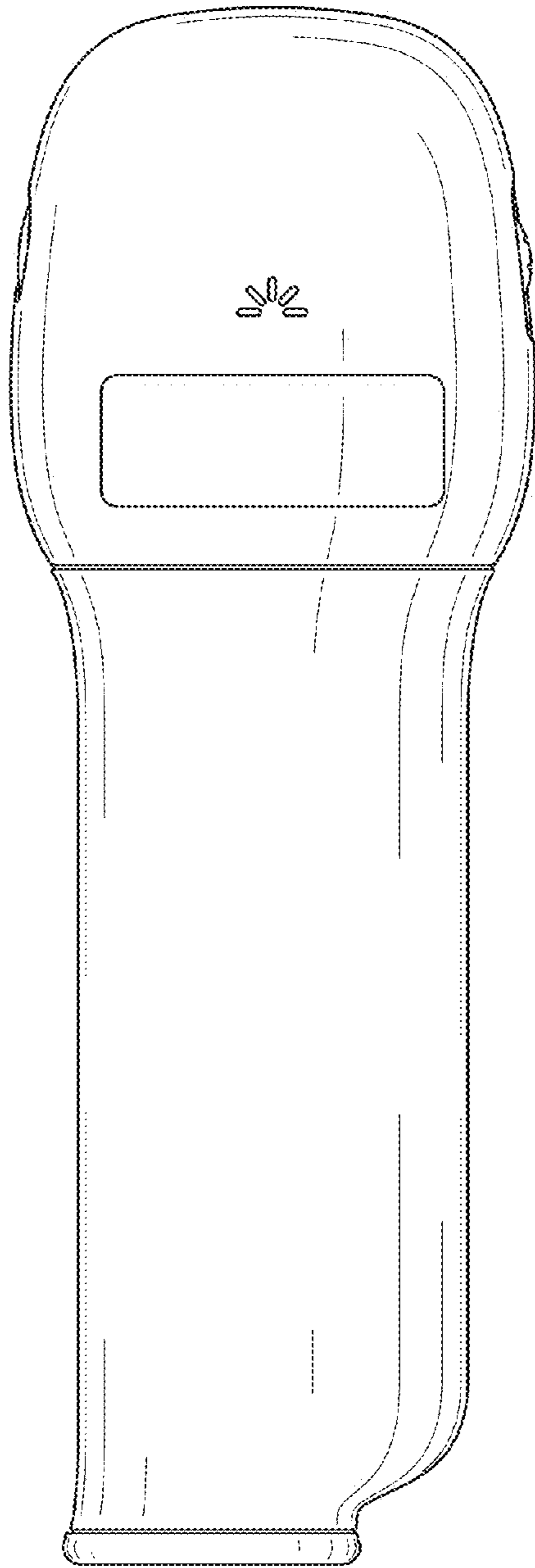


FIG. 3

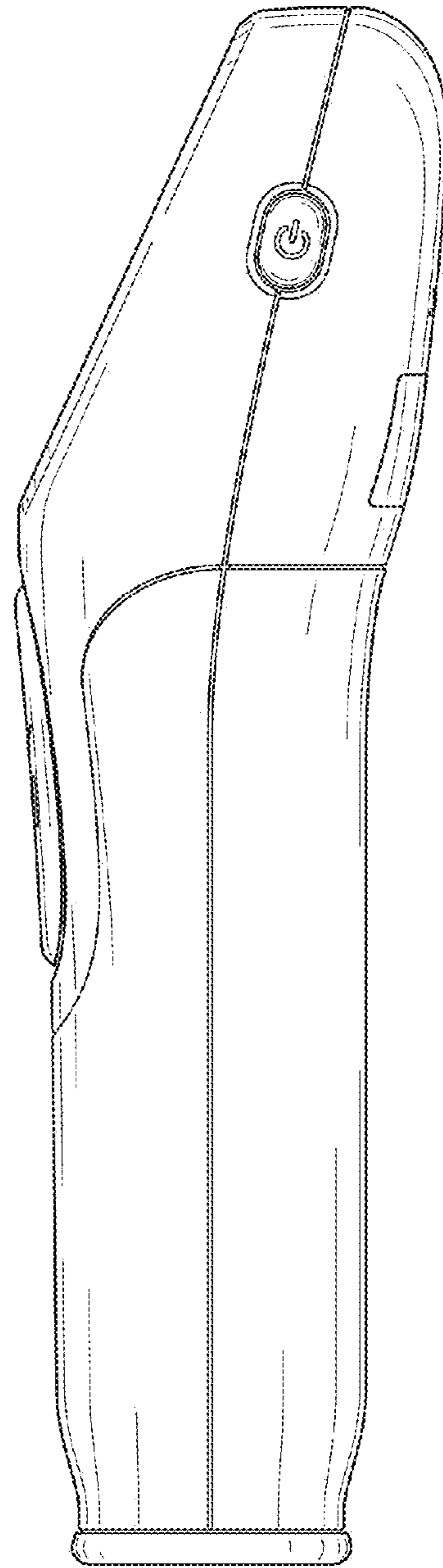


FIG. 4

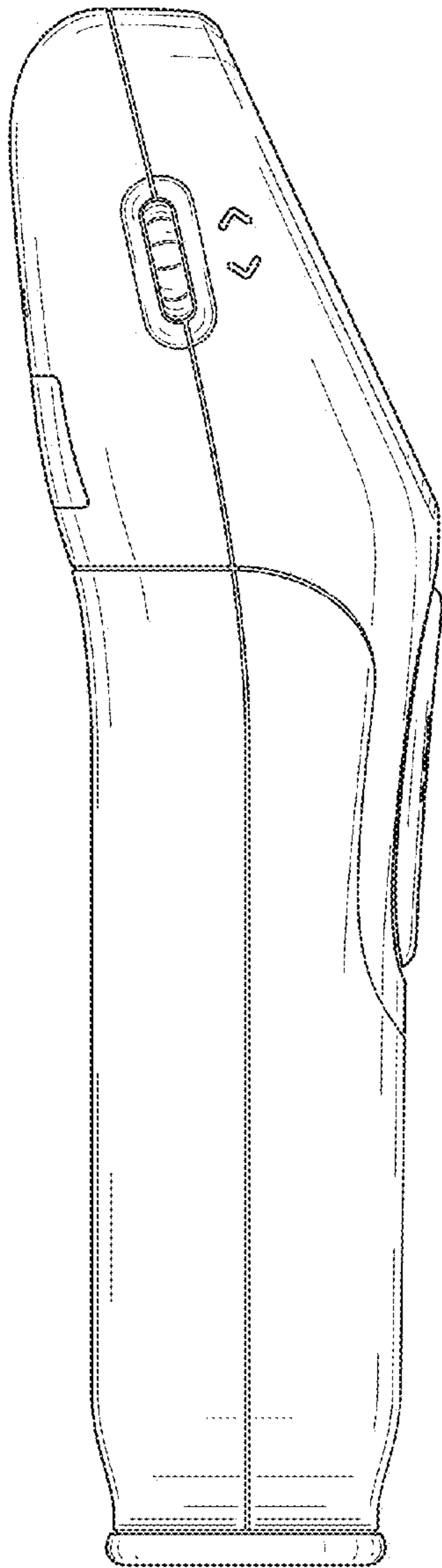


FIG. 5

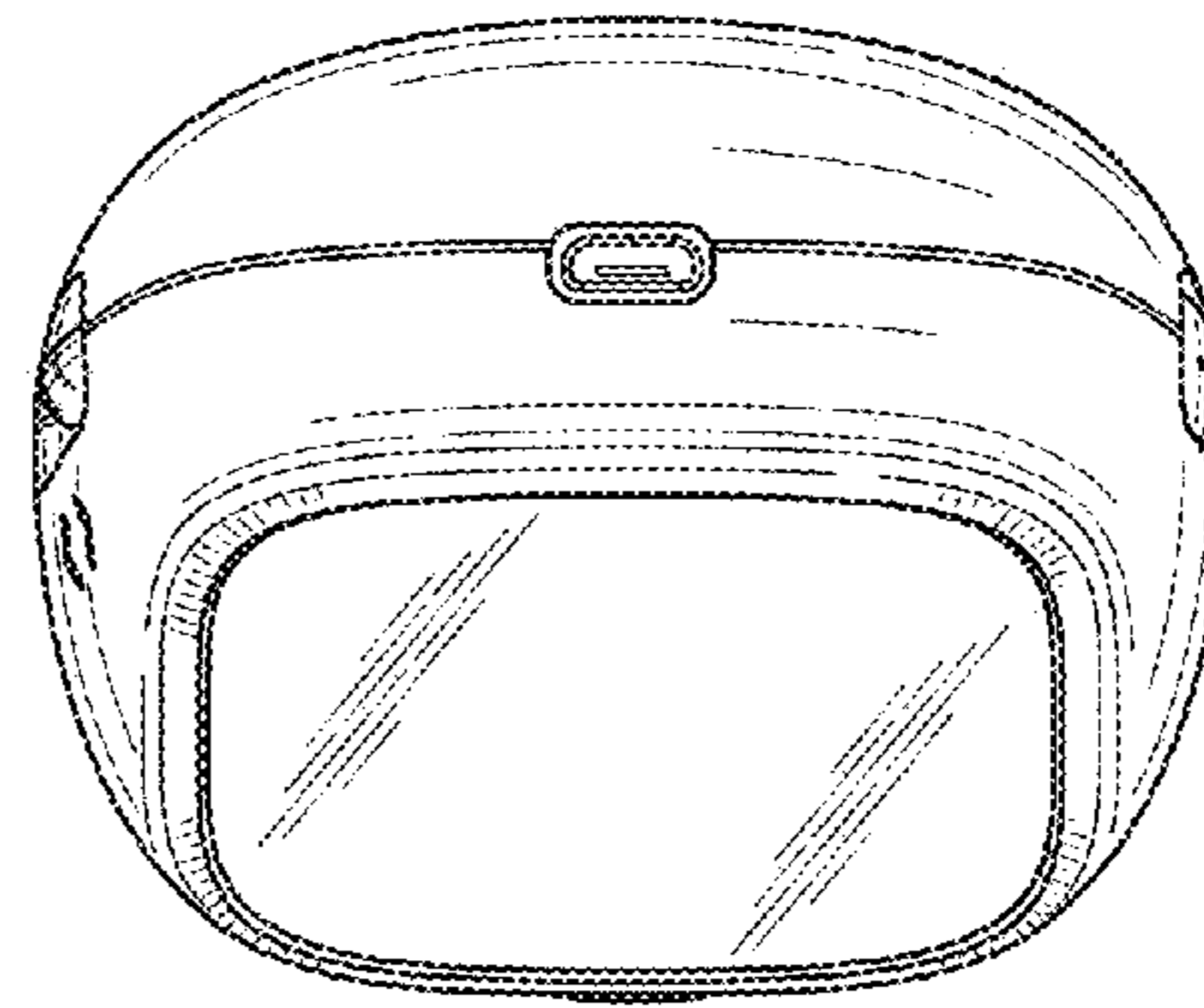


FIG. 6

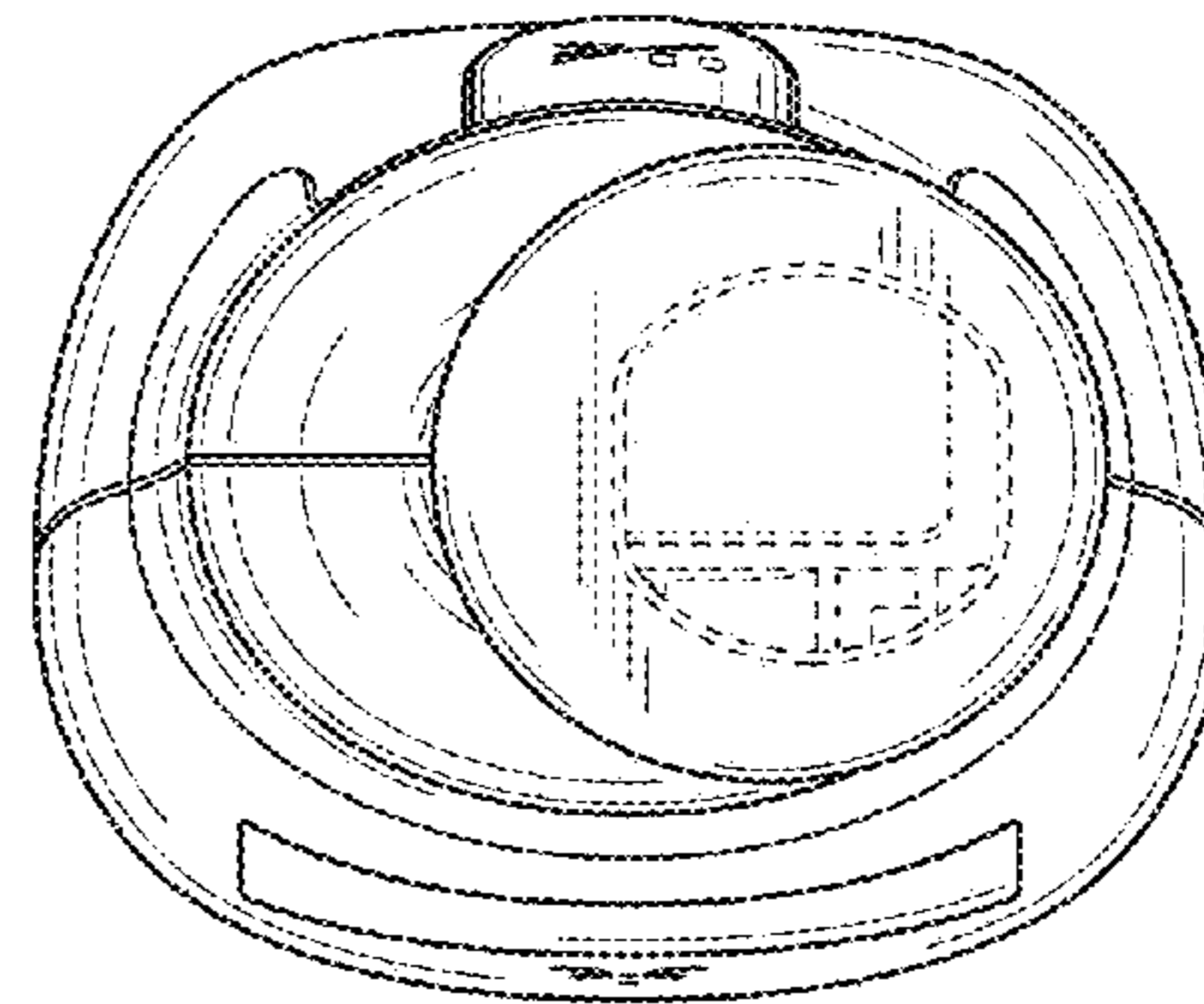


FIG. 7