



US00D726898S

(12) **United States Design Patent**
Hibbard

(10) **Patent No.:** **US D726,898 S**

(45) **Date of Patent:** **** Apr. 14, 2015**

(54) **FIRE LIGHTER**

(71) Applicant: **John E. Hibbard**, Vancouver, WA (US)

(72) Inventor: **John E. Hibbard**, Vancouver, WA (US)

(**) Term: **14 Years**

(21) Appl. No.: **29/448,752**

(22) Filed: **Mar. 13, 2013**

(51) **LOC (10) Cl.** **23-03**

(52) **U.S. Cl.**
USPC **D23/415**

(58) **Field of Classification Search**
USPC D23/405, 407, 409, 410, 415-422, 499,
D23/403; D7/403, 404, 407; D13/100;
44/530, 550; 126/39 E, 144, 148, 242,
126/243, 258, 500, 540
See application file for complete search history.

(56) **References Cited**

U.S. PATENT DOCUMENTS

86,796	A *	2/1869	Absterdam	52/245
562,833	A *	6/1896	Kahn et al	126/68
D33,888	S *	1/1901	Smith et al	D7/403
D54,851	S *	4/1920	Kerr	D7/407
1,412,768	A *	4/1922	Barber	239/516
1,850,866	A *	3/1932	Conover	431/280
1,932,743	A *	10/1933	Kunz	239/288.5
1,987,386	A *	1/1935	Christie	239/587.1
D190,153	S *	4/1961	Bullen	D7/407
4,052,576	A *	10/1977	Smith	218/29
D256,657	S *	9/1980	Stansberry et al.	D7/407
D282,340	S *	1/1986	Lam	D7/387
4,741,322	A *	5/1988	Lin	126/25 R
D343,450	S *	1/1994	Doty	D23/410
5,497,761	A *	3/1996	Mayr	126/523
5,524,609	A *	6/1996	Krull	126/500
5,725,833	A *	3/1998	Crafton	422/125
5,984,156	A *	11/1999	Bridges	224/566
6,044,836	A *	4/2000	Oliver et al.	126/92 AC

7,121,424	B2 *	10/2006	Lisenbee et al.	220/617
7,347,493	B2 *	3/2008	Mulmed	297/233
7,373,804	B1 *	5/2008	Hildebrandt et al.	73/54.43
7,819,657	B2 *	10/2010	Molla	431/354
D642,257	S *	7/2011	Mann	D23/418
2006/0181115	A1 *	8/2006	Mulmed	297/188.01
2009/0011379	A1 *	1/2009	Balch et al.	431/270
2010/0112501	A1 *	5/2010	Tsai	431/153
2011/0048400	A1 *	3/2011	Biagioli et al.	126/39 E
2011/0086318	A1 *	4/2011	Schwierking et al.	431/8
2011/0290231	A1 *	12/2011	Padgett	126/215
2011/0300002	A1 *	12/2011	Cravens	417/50
2013/0263841	A1 *	10/2013	Terpstra et al.	126/25 R
2013/0344449	A1 *	12/2013	Masterson et al.	431/333

* cited by examiner

Primary Examiner — Karen S Acker

(74) *Attorney, Agent, or Firm* — Ganz Pollard, LLC

(57) **CLAIM**

I claim the ornamental design for a fire lighter, as shown and described.

DESCRIPTION

FIG. 1 shows an isometric view from above of a fire lighter in an expanded state;

FIG. 1A shows detail thereof;

FIG. 2 shows a side elevation view thereof;

FIG. 2A shows additional detail thereof;

FIG. 3 shows a top plan view thereof; and

FIG. 4 shows a bottom plan view thereof.

FIG. 5 shows an isometric view from above of the fire lighter of FIGS. 1-4 shown in a collapsed state;

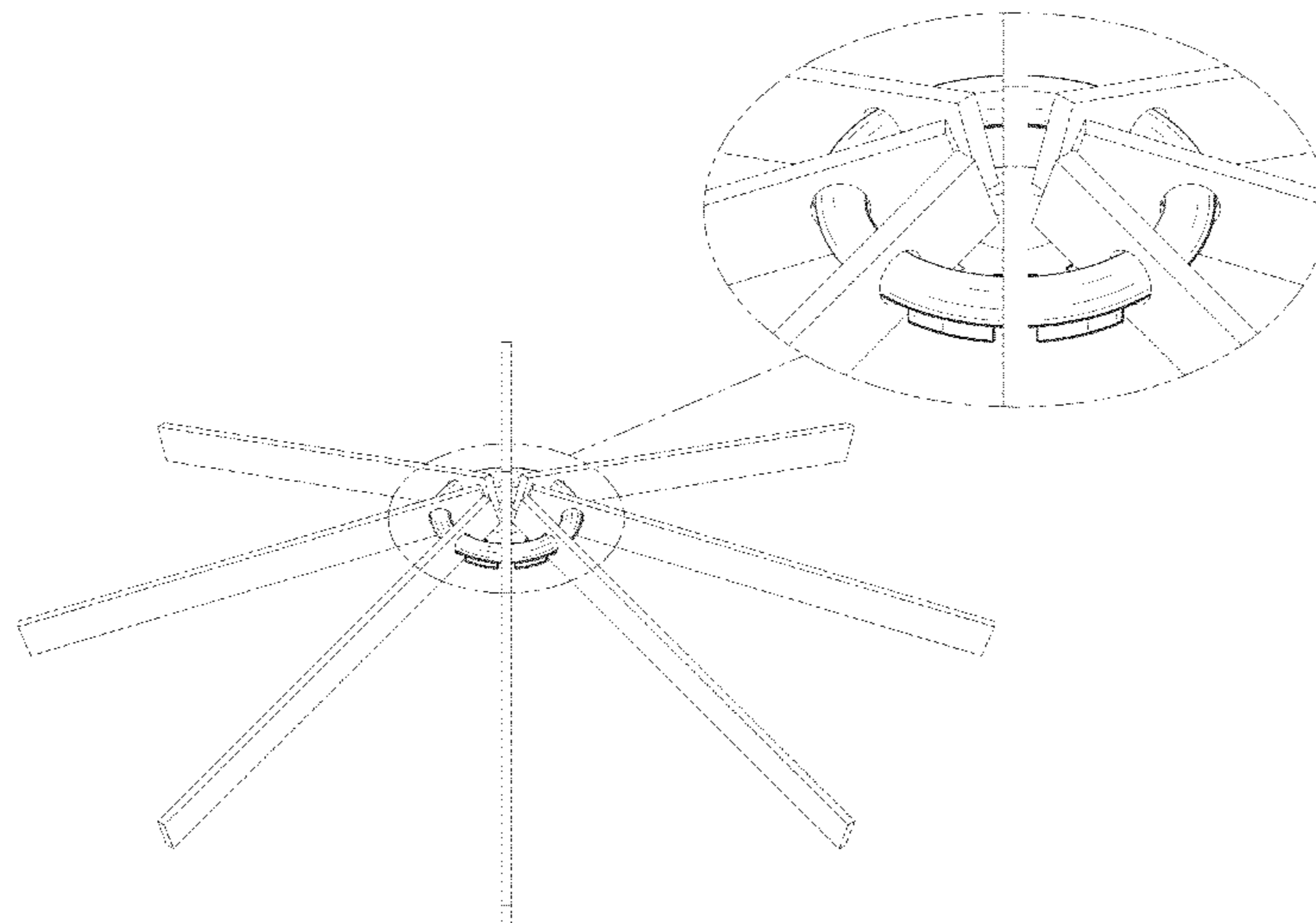
FIG. 6 shows a side elevation thereof;

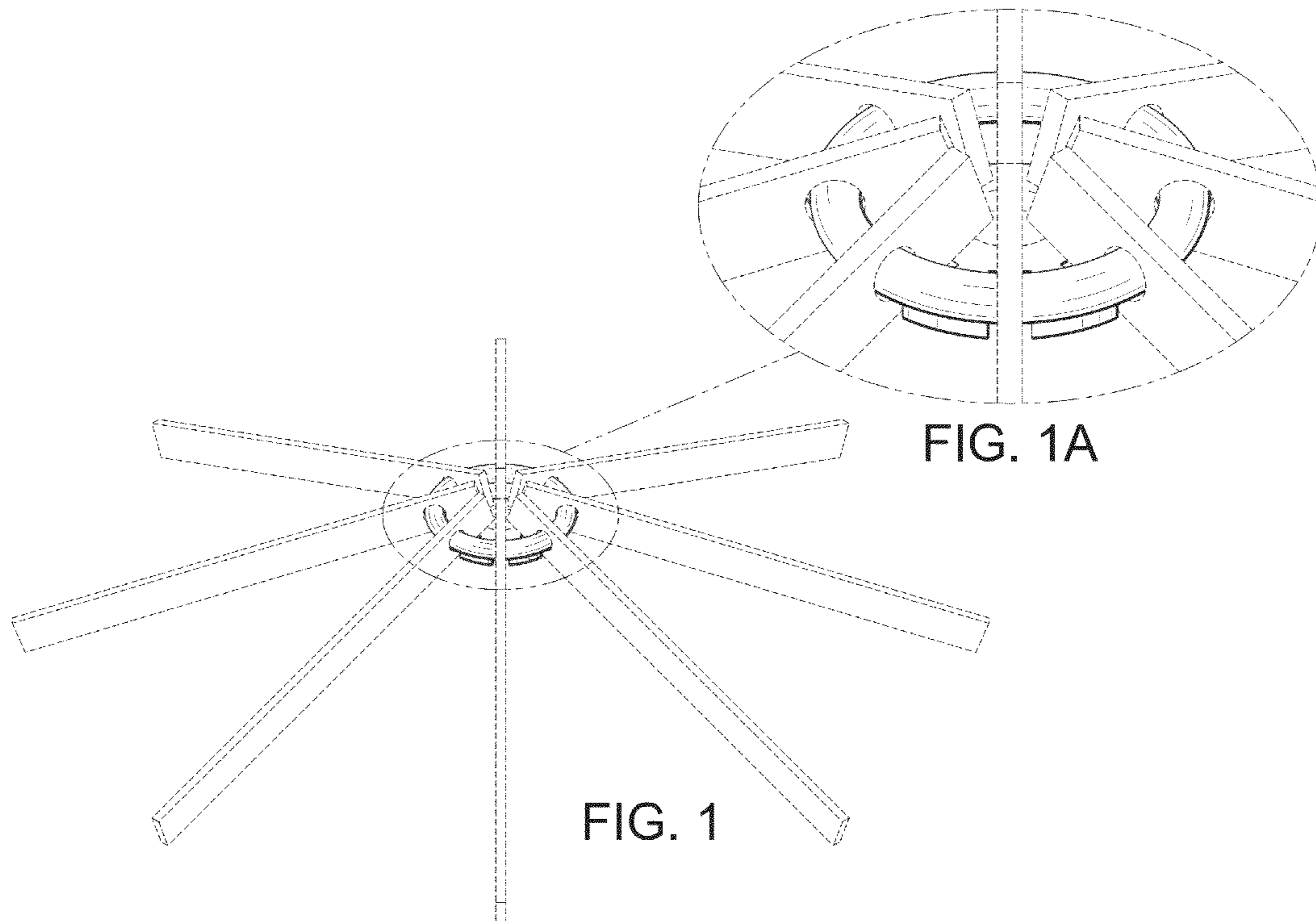
FIG. 7 shows a top plan view thereof; and,

FIG. 8 shows a bottom plan view thereof.

The circle drawn in broken line in the center of the design represents a portion of the fire lighter that forms no part of the claimed design. All other broken lines represent environmental subject matter that forms no part of the claimed design.

1 Claim, 7 Drawing Sheets





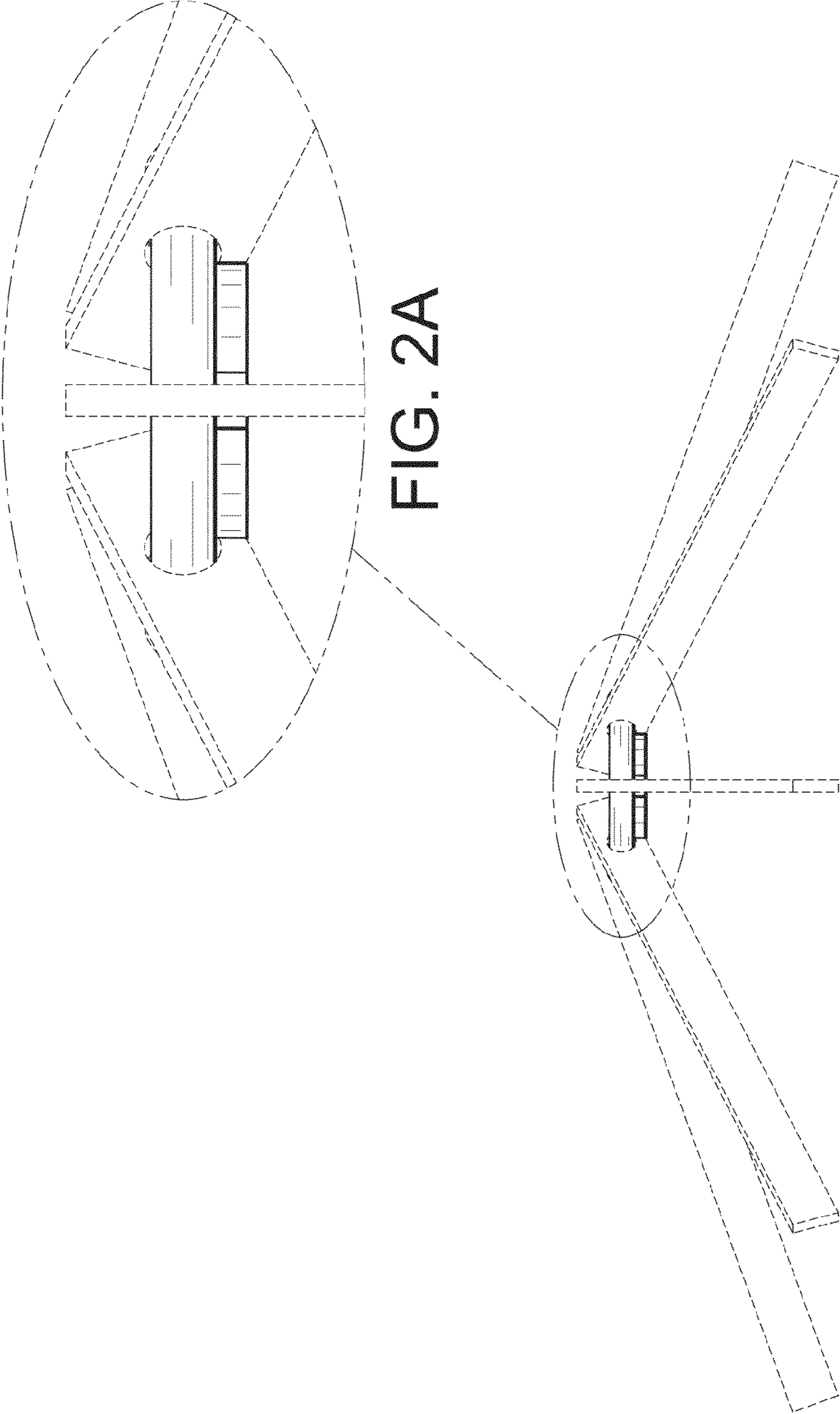


FIG. 2A

FIG. 2

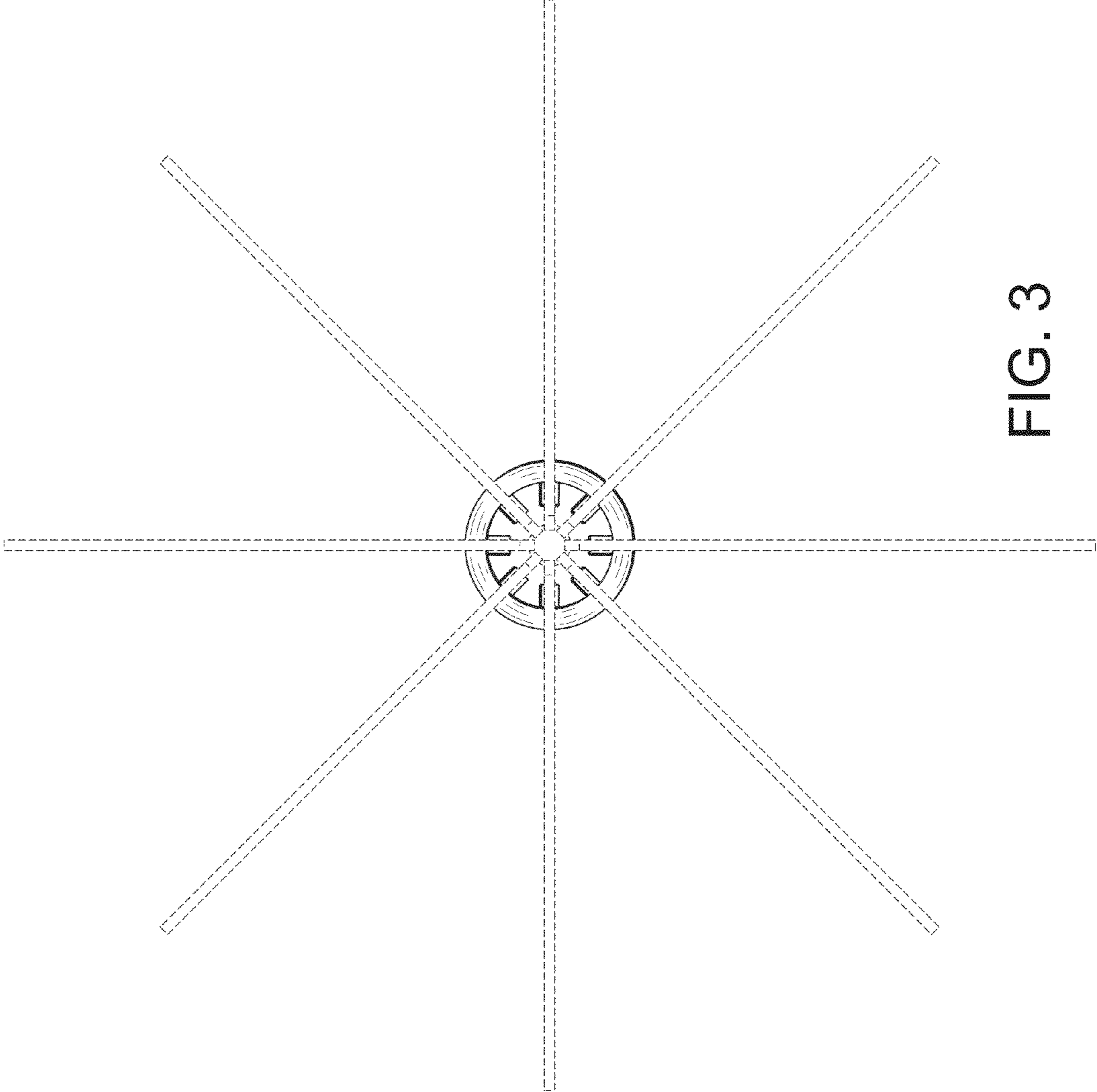


FIG. 3

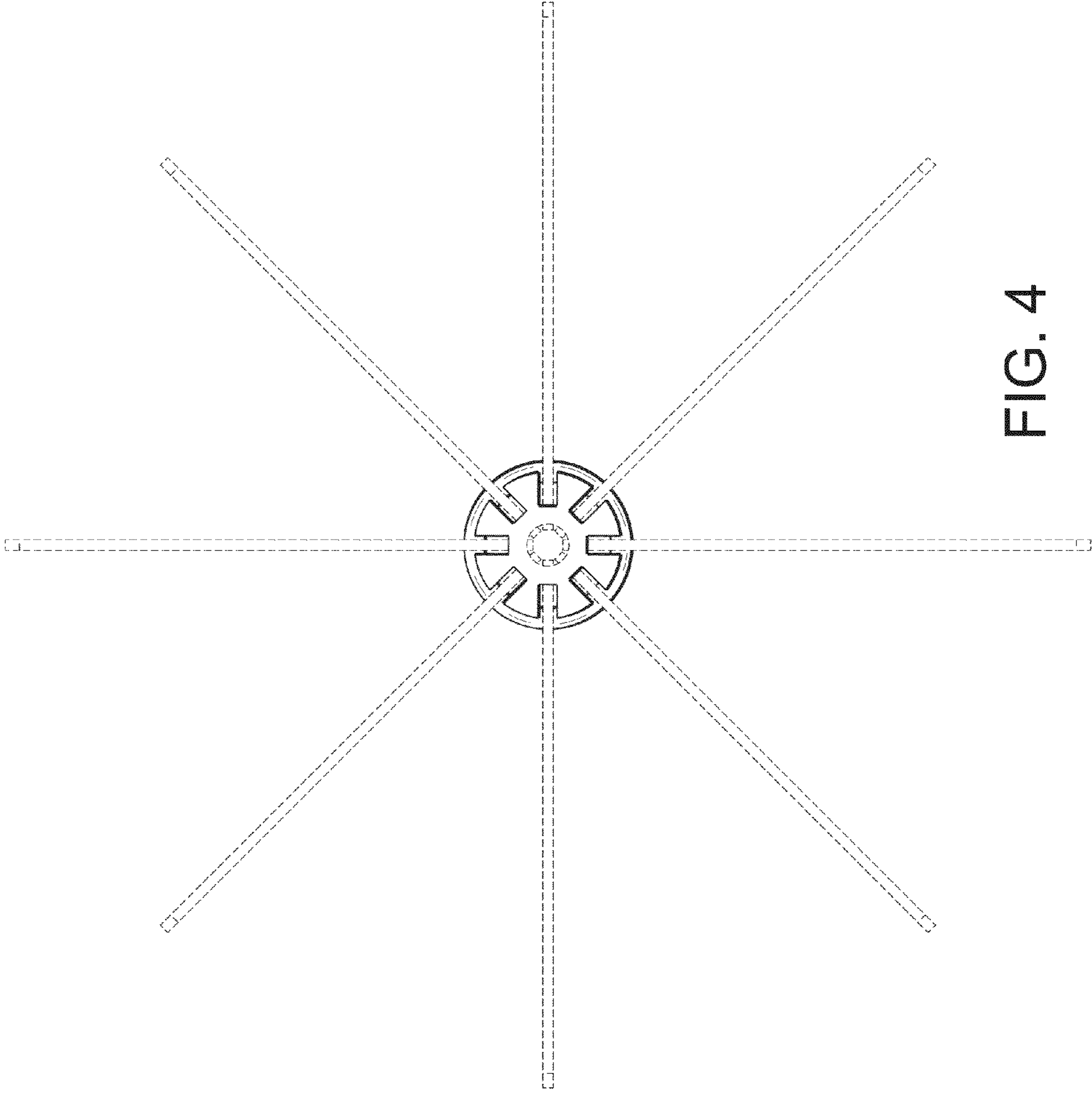


FIG. 4

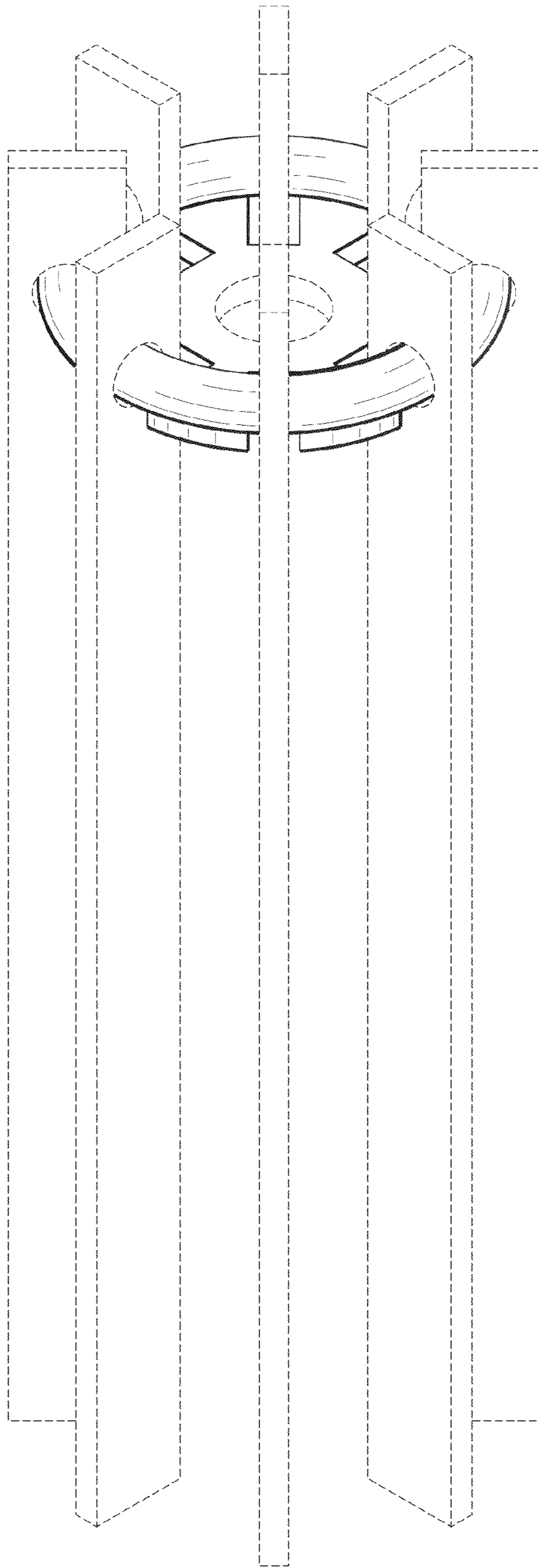


FIG. 5

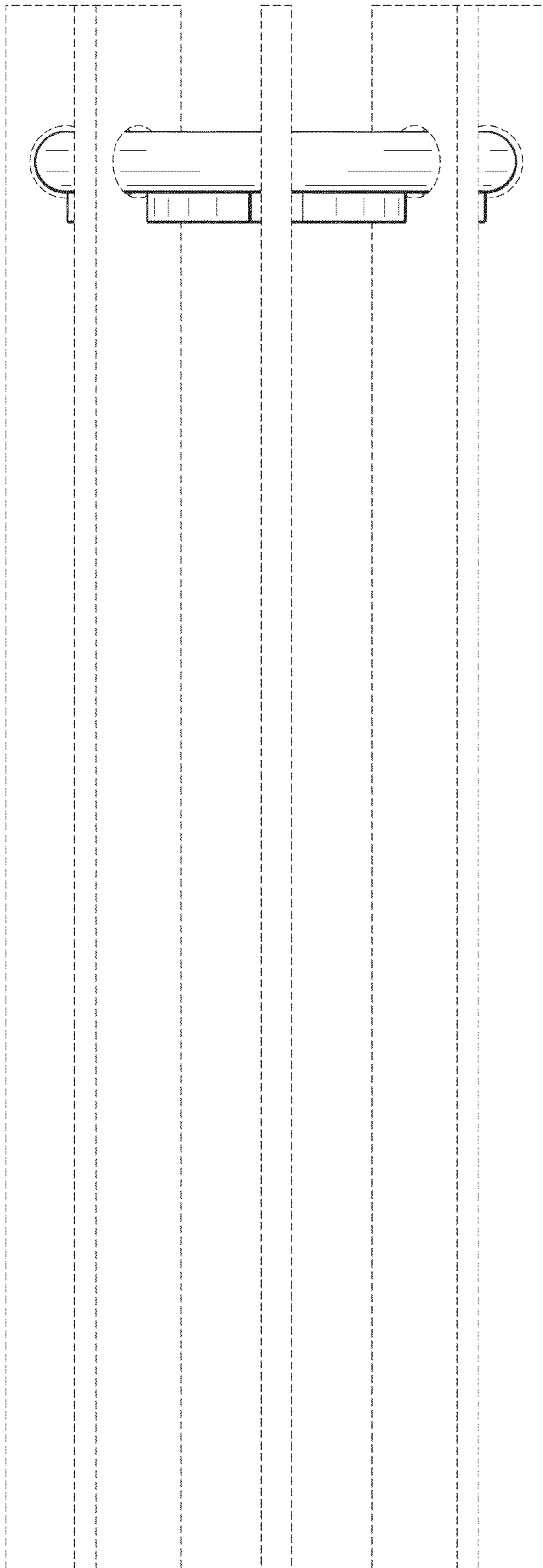


FIG. 6

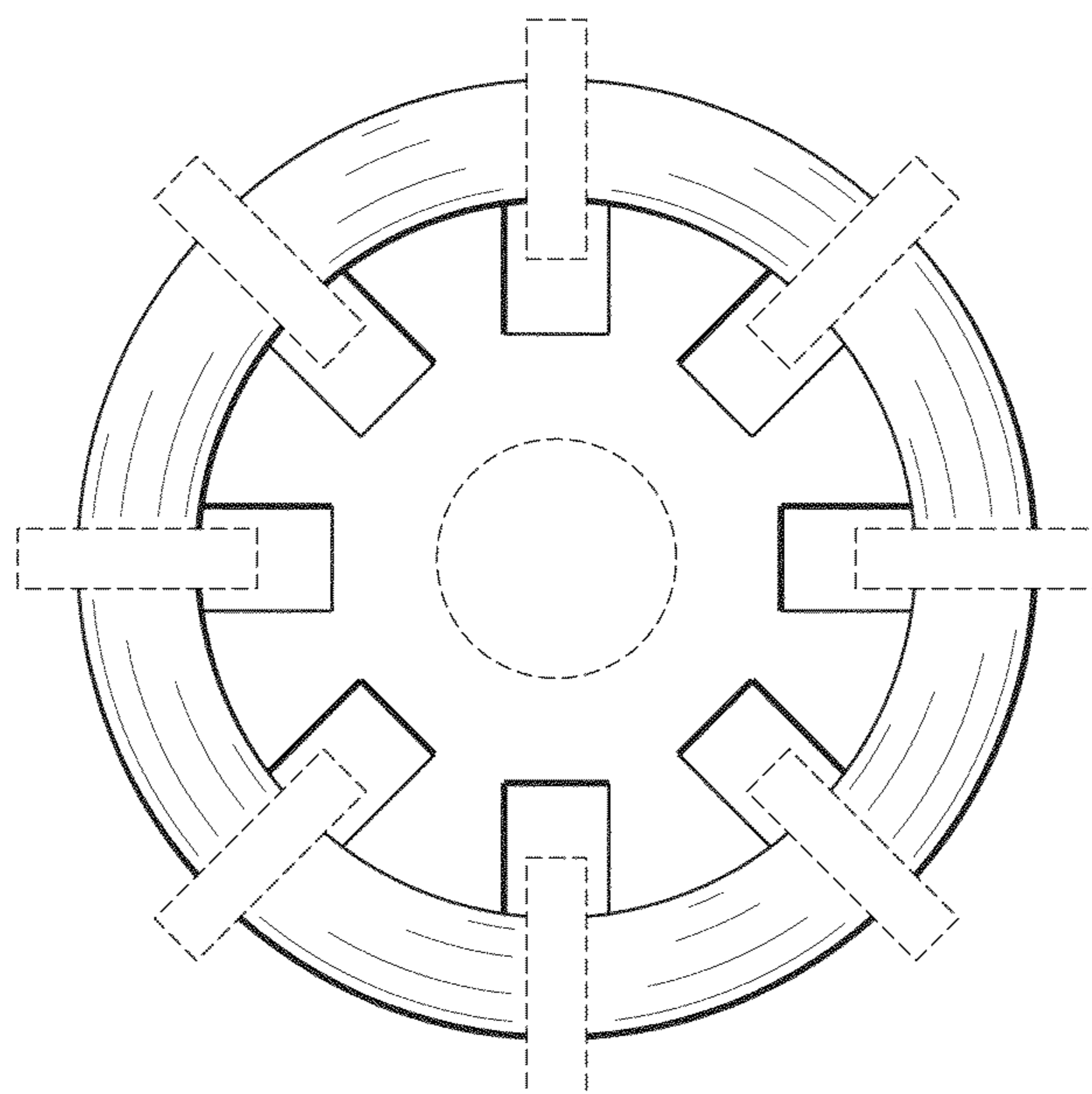


FIG. 7

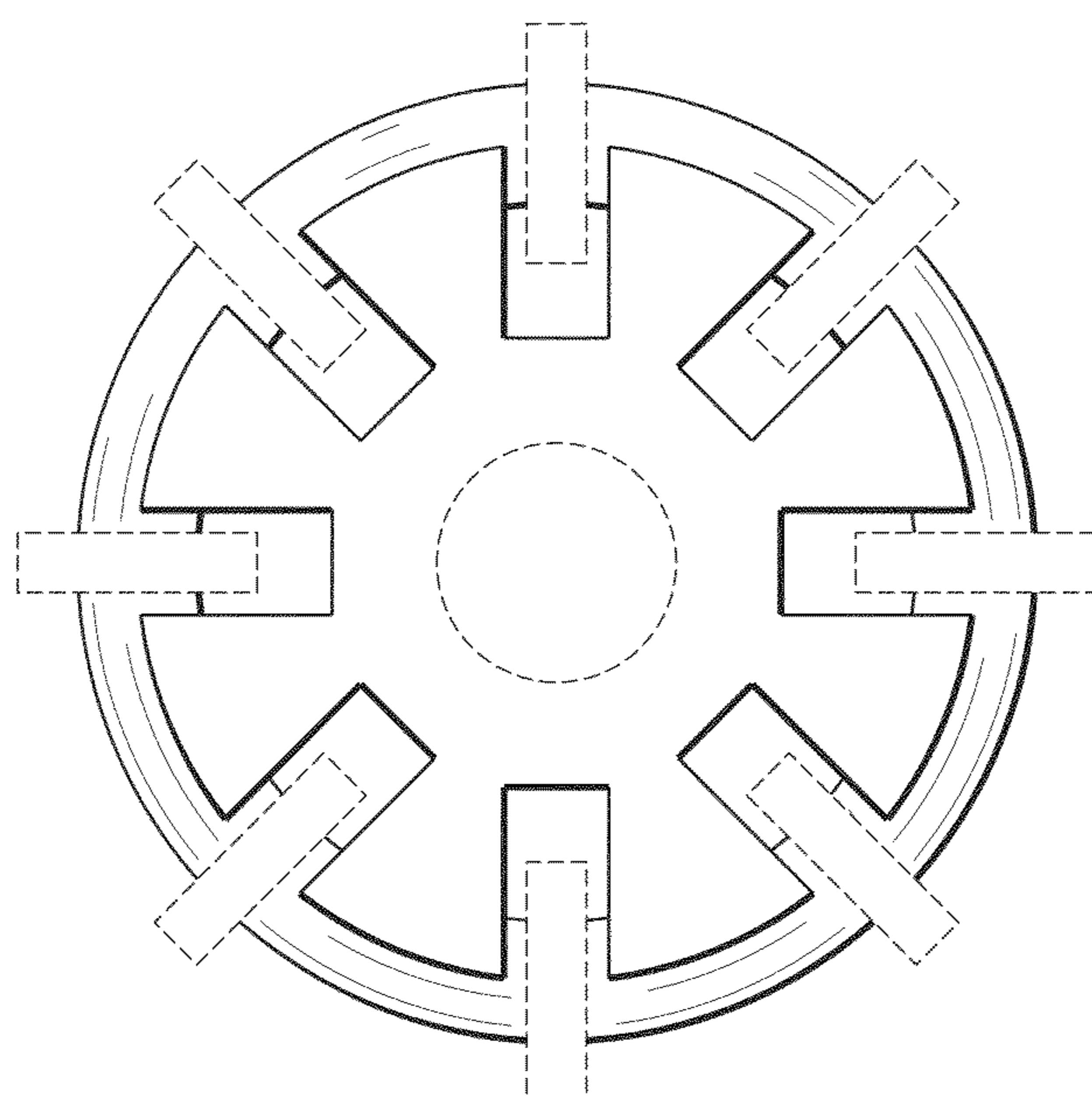


FIG. 8