



US00D726897S

(12) **United States Design Patent**
Hatz

(10) **Patent No.:** **US D726,897 S**
(45) **Date of Patent:** **** Apr. 14, 2015**

(54) **FAN HOUSING**

(71) Applicant: **Wellington Drive Technologies Limited**, Auckland (NZ)

(72) Inventor: **Andreas Hartmut Hatz**, Helensville (NZ)

(73) Assignee: **Wellington Drive Technologies Limited**, Auckland (NZ)

(**) Term: **14 Years**

(21) Appl. No.: **29/464,807**

(22) Filed: **Aug. 21, 2013**

(30) **Foreign Application Priority Data**

Feb. 25, 2013 (NZ) 417329

(51) **LOC (10) Cl.** **23-04**

(52) **U.S. Cl.**
USPC **D23/411**

(58) **Field of Classification Search**
USPC D23/370-386, 387, 388-394, 411-414, D23/499; D26/51, 59, 72, 73, 80-86, 88, D26/90, 377; 362/96; 416/5, 170 R, 214 R, 416/179, 184, 206, 207, 210 R, 220 R, 416/244 R; 417/423.1, 354; 392/361-364; 415/215.1; 123/41.49
See application file for complete search history.

(56) **References Cited**

U.S. PATENT DOCUMENTS

2,861,121 A * 11/1958 Wolar 174/61
D231,355 S * 4/1974 Papst D23/377
4,394,111 A * 7/1983 Wiese et al. 417/360

5,326,225 A * 7/1994 Gallivan et al. 416/179
5,441,387 A * 8/1995 Yu 416/5
D453,960 S * 2/2002 Shelby et al. D23/411
D469,209 S * 1/2003 Homann D26/118
D481,158 S * 10/2003 Cline D26/138
D481,159 S * 10/2003 Walker D26/138
D513,799 S * 1/2006 Li et al. D23/411
D579,102 S * 10/2008 Leung et al. D23/411
D599,457 S * 9/2009 Spaggiari D23/370
7,594,800 B2 * 9/2009 Teipen 416/247 R
2004/0009062 A1 * 1/2004 Cho et al. 415/173.1
2006/0239838 A1 * 10/2006 Rahbar et al. 417/354
2007/0048138 A1 * 3/2007 Horski et al. 416/179
2008/0047504 A1 * 2/2008 Benvenuto et al. 123/41.49
2008/0072851 A1 * 3/2008 McLennan 123/41.49
2014/0105746 A1 * 4/2014 Findeisen 416/182

* cited by examiner

Primary Examiner — Susan Bennett Hattan

Assistant Examiner — Marie Fast Horse

(74) *Attorney, Agent, or Firm* — Young & Thompson

(57) **CLAIM**

The ornamental design for a fan housing, as shown and described.

DESCRIPTION

FIG. 1 is a top perspective view of a fan housing showing the new design;

FIG. 2 is a front elevation view thereof;

FIG. 3 is a rear elevation view thereof;

FIG. 4 is a right side elevation view thereof;

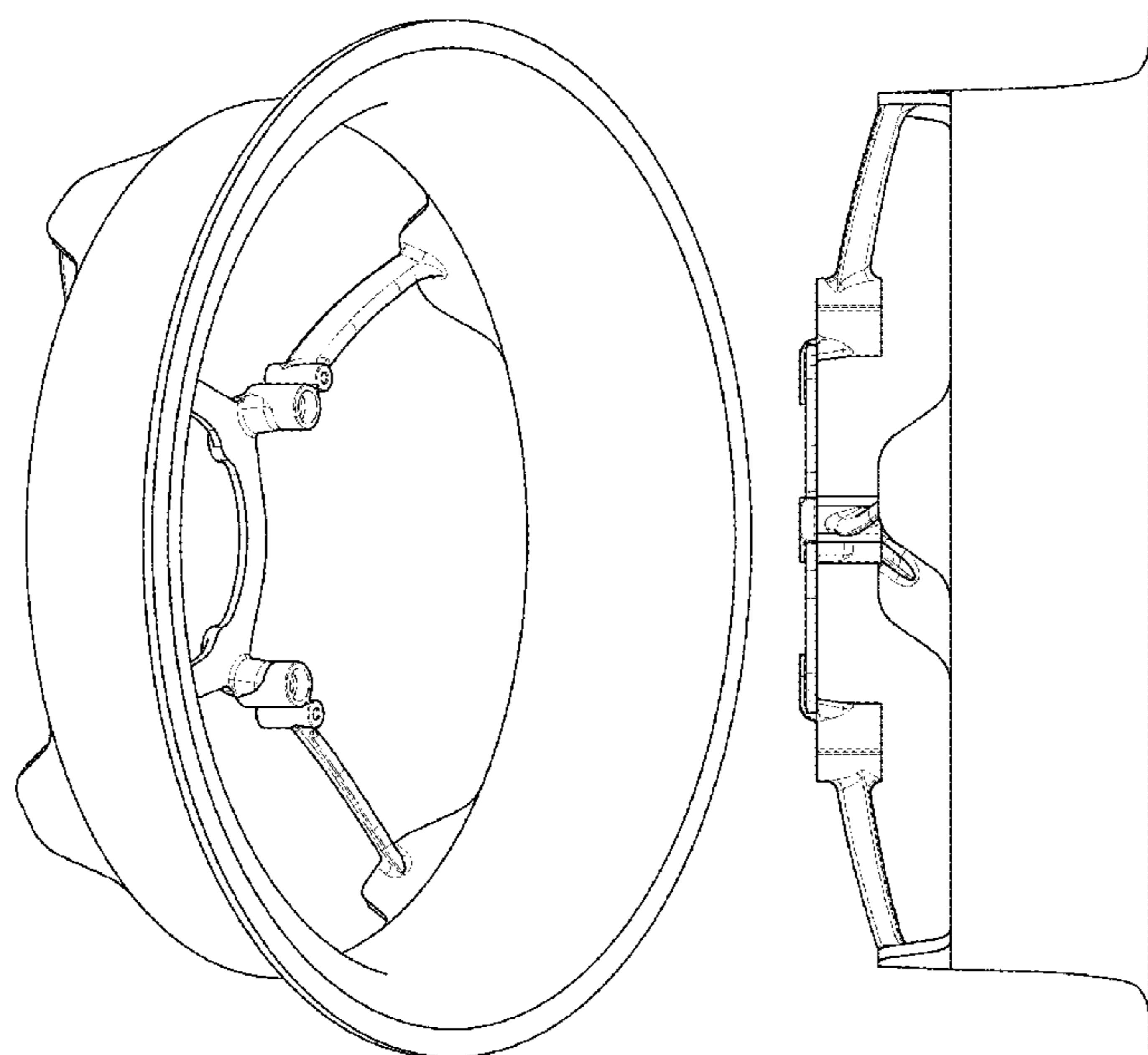
FIG. 5 is a left side elevation view thereof;

FIG. 6 is a top plan view thereof; and,

FIG. 7 is a bottom plan view thereof.

The broken lines in FIGS. 1, 6, and 7 depict portions of the fan housing that form no part of the claimed design.

1 Claim, 7 Drawing Sheets



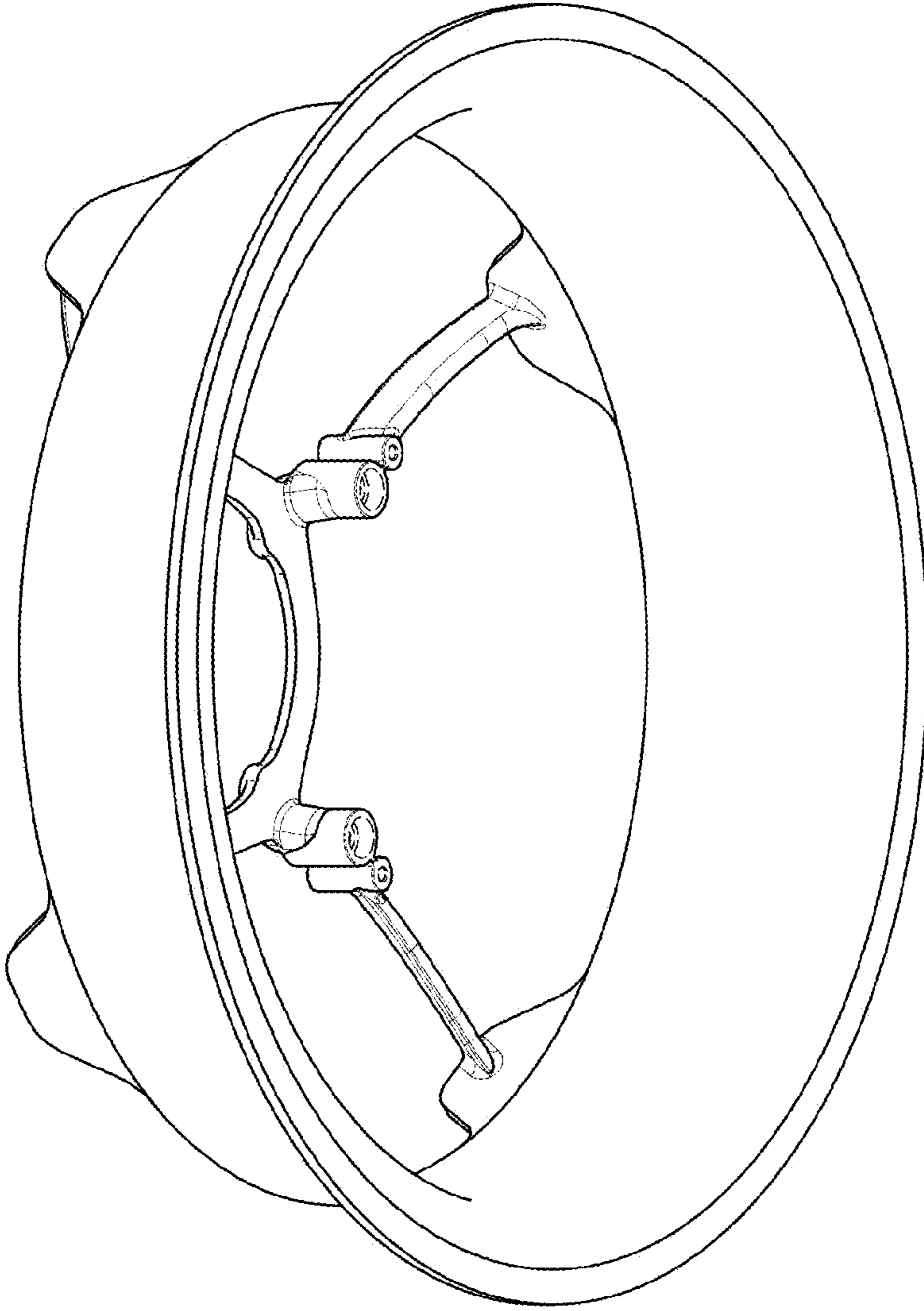


FIG.1

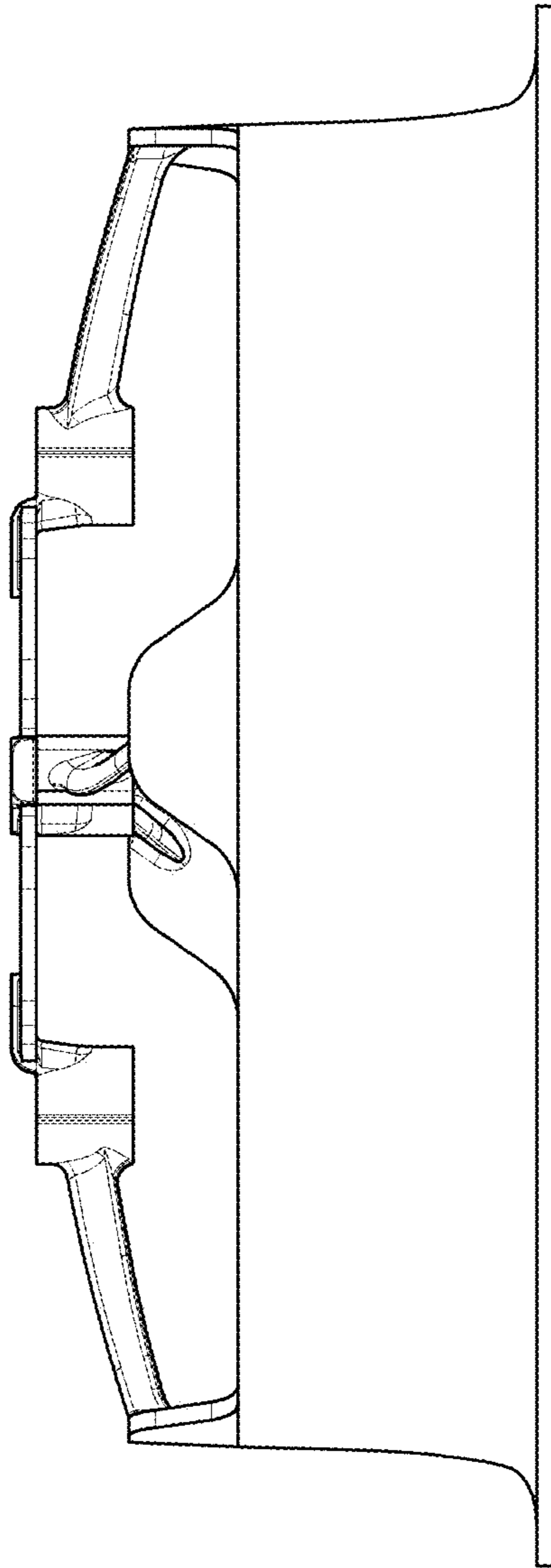


FIG.2

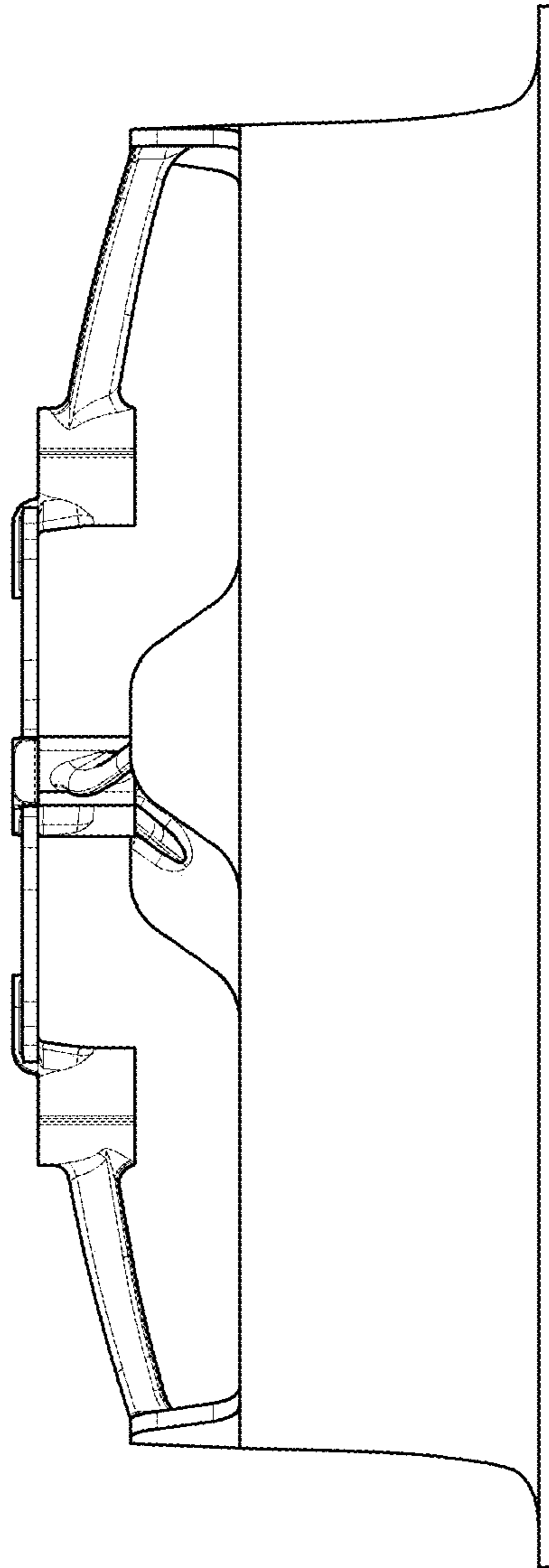


FIG.3

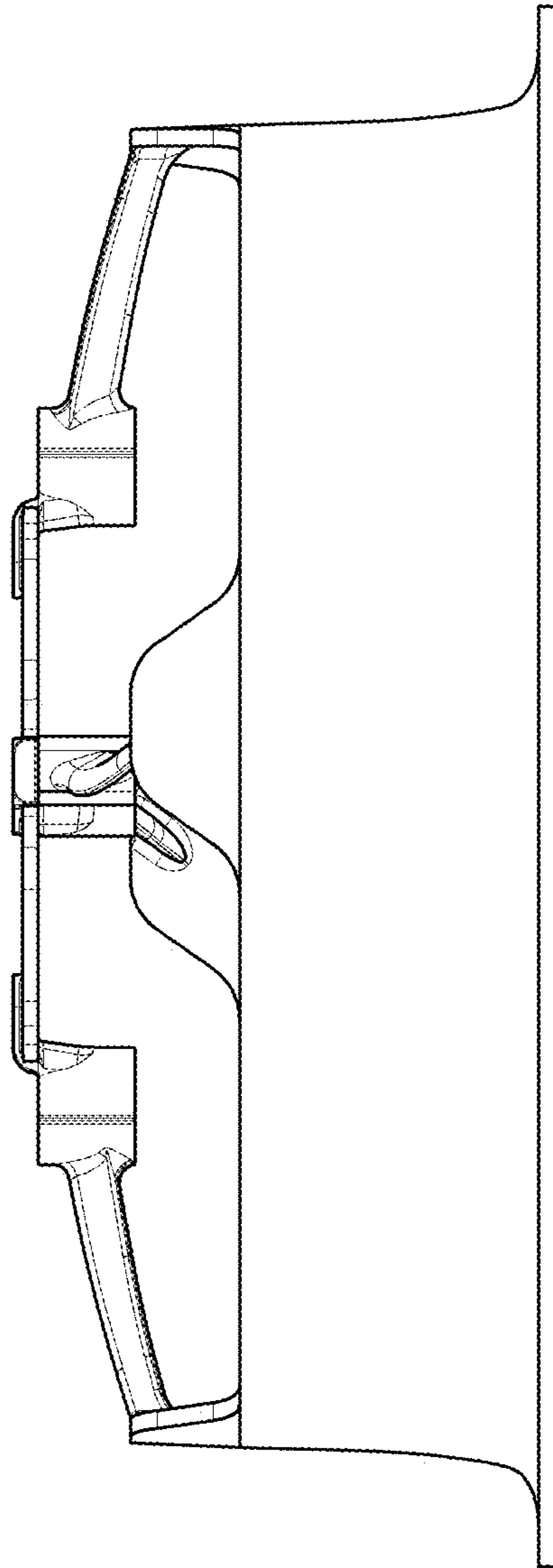


FIG.4

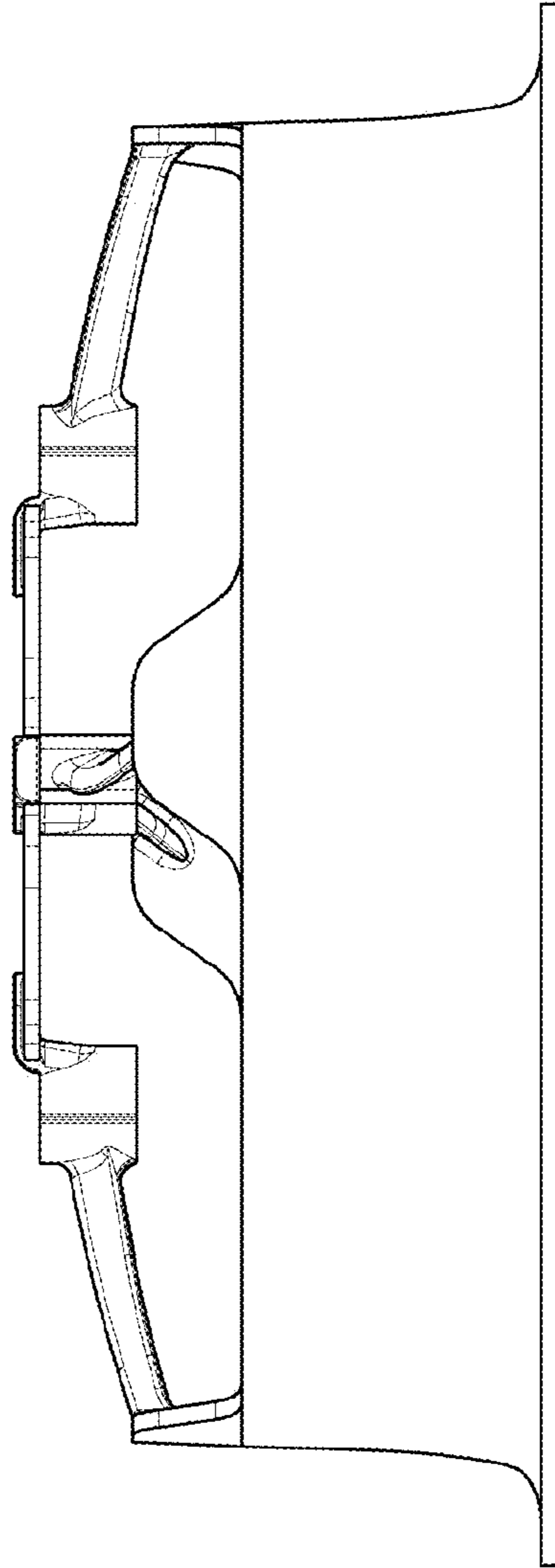


FIG.5

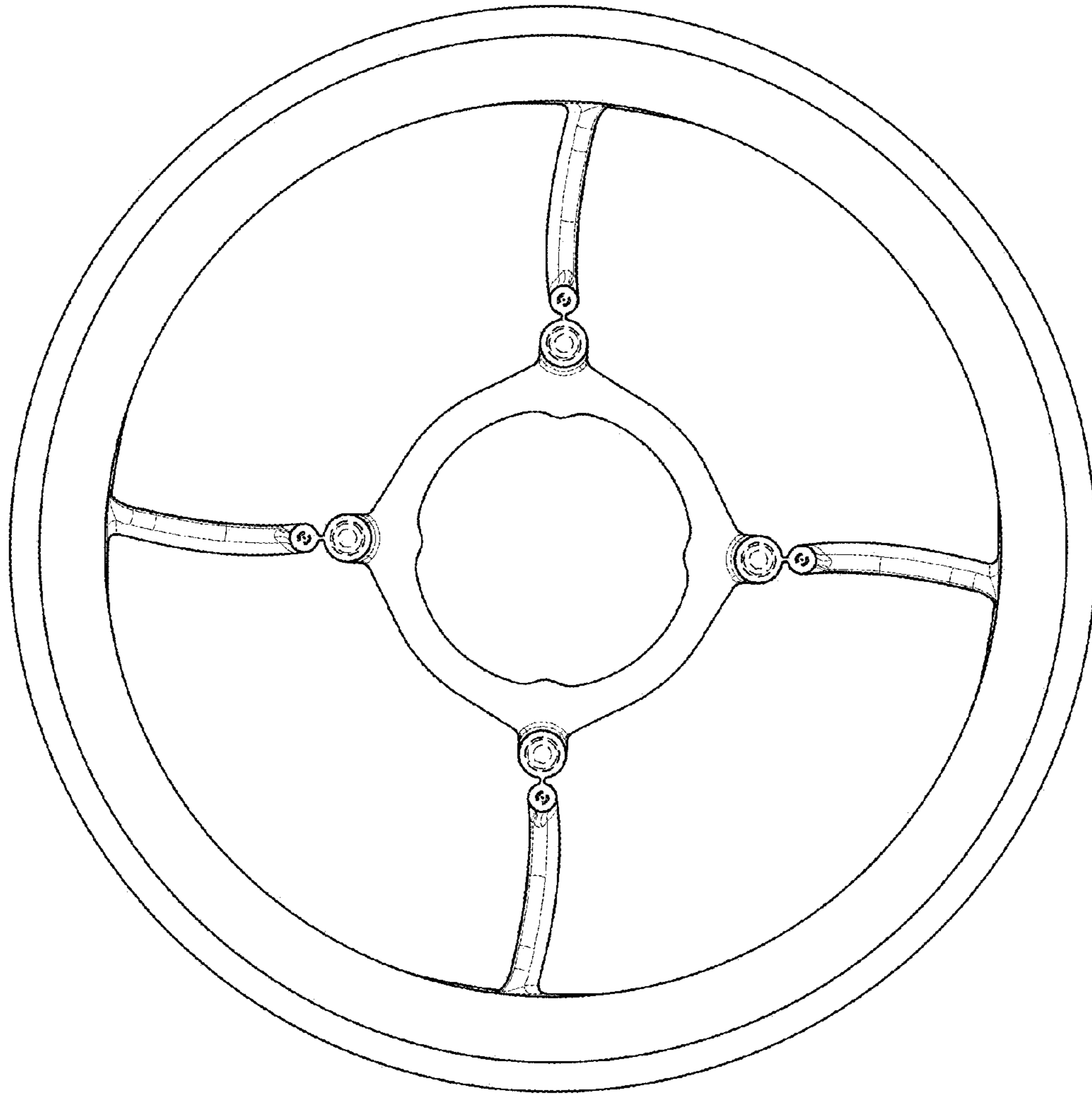


FIG.6

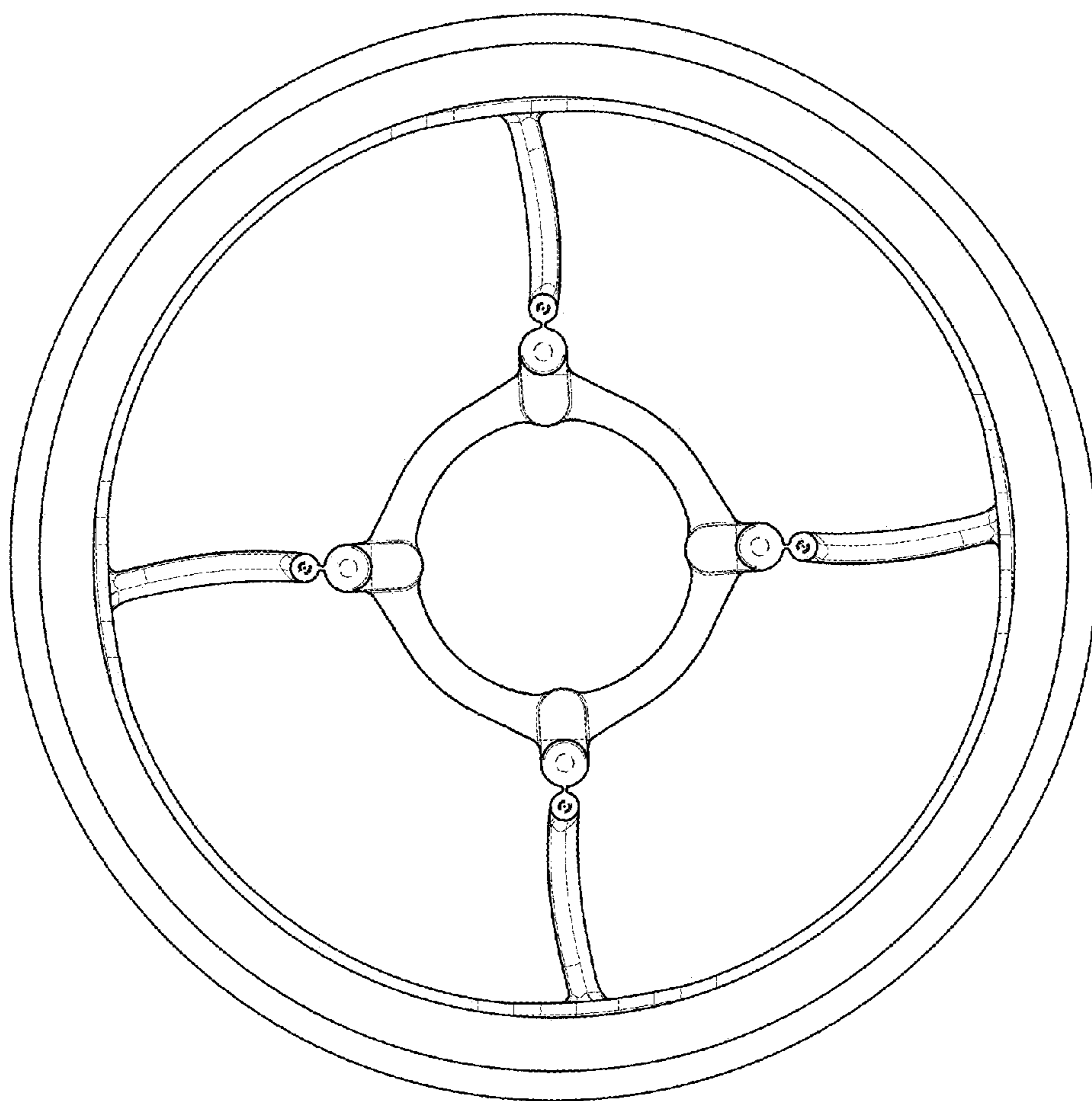


FIG.7