



US00D726896S

(12) **United States Design Patent**  
**Rohskopf et al.**

(10) **Patent No.:** **US D726,896 S**  
(45) **Date of Patent:** **\*\* Apr. 14, 2015**

(54) **DRAFT INDUCER**

(71) Applicant: **US Draft Co., LLC**, Fort Worth, TX  
(US)

(72) Inventors: **Thaddeus James Rohskopf**, Fort Worth,  
TX (US); **Timothy Edward McNulty**,  
Fort Worth, TX (US)

(73) Assignee: **US Draft Co., LLC**, Fort Worth, TX  
(US)

(\*\*) Term: **14 Years**

(21) Appl. No.: **29/449,961**

(22) Filed: **Mar. 15, 2013**

(51) **LOC (10) Cl.** ..... **23-04**

(52) **U.S. Cl.**  
USPC ..... **D23/387**

(58) **Field of Classification Search**  
USPC ..... D23/385-395, 397, 370-373, 365, 351,  
D23/354, 399-403, 421, 499; 454/309,  
454/275-277, 284, 287-291, 358-363;  
52/302.1, 32.07; 285/229, 189, 183,  
285/123.1, 15, 114, 110, 424, 197; 165/59;  
417/423.1

See application file for complete search history.

(56) **References Cited**

**U.S. PATENT DOCUMENTS**

2,679,972	A	6/1949	Brumme	
4,164,690	A *	8/1979	Muller et al.	318/400.41
D289,680	S *	5/1987	Heob	D23/386
D315,949	S *	4/1991	Sello	D23/393
D404,122	S *	1/1999	Hayashi et al.	D23/370

D461,550	S *	8/2002	Hsin-mao	D23/370
D488,857	S *	4/2004	Wintersteen et al.	D23/370
D539,408	S *	3/2007	Wu et al.	D23/370
D625,799	S *	10/2010	Salisbury et al.	D23/370
D636,863	S *	4/2011	Isoda et al.	D23/370
8,056,933	B2 *	11/2011	Liptak	285/189
D667,536	S *	9/2012	Zengin	D23/351
D669,571	S *	10/2012	Penlesky et al.	D23/393
D701,299	S *	3/2014	Oba	D23/370

**OTHER PUBLICATIONS**

Drawing of Prior Art Utility Set Fan.  
Drawing of Prior Art Belt Driven Tube Fan.  
Drawing of Prior Art Bifurcated Fan.

\* cited by examiner

*Primary Examiner* — David Muller

(74) *Attorney, Agent, or Firm* — Lathrop & Gage LLP

(57) **CLAIM**

The ornamental design for a draft inducer, as shown and described.

**DESCRIPTION**

FIG. 1 is a side perspective view of a draft inducer in accordance with the present invention, shown with an unclaimed motor;

FIG. 2 is a top plan view thereof;

FIG. 3 is a bottom plan view thereof;

FIG. 4 is a side elevation view thereof;

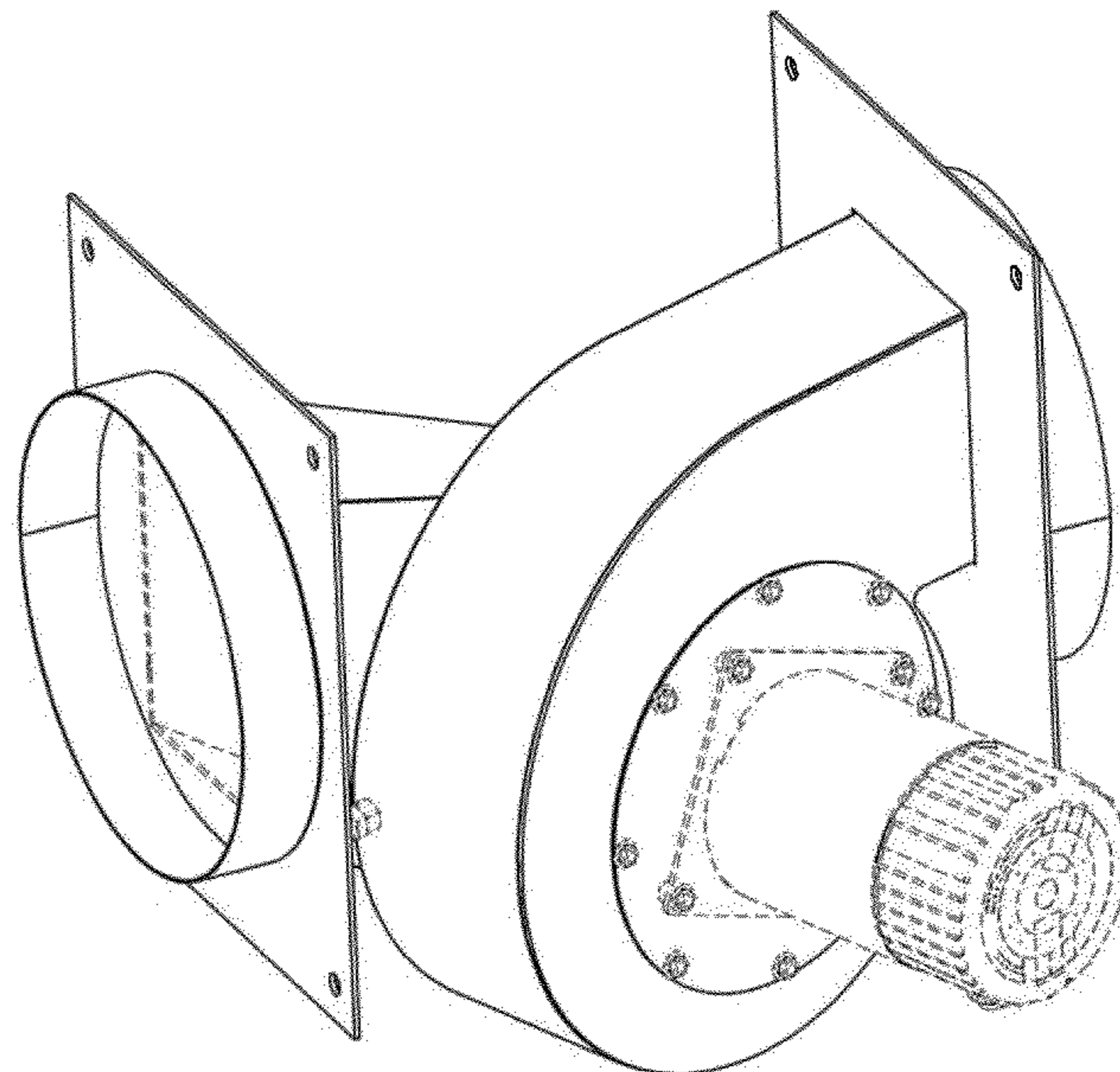
FIG. 5 is the opposite side elevation view thereof;

FIG. 6 is an end elevation view thereof; and,

FIG. 7 is the opposite end elevation view thereof.

All of the broken lines in the accompanying drawings illustrate environmental structure and form no part of the claimed design.

**1 Claim, 4 Drawing Sheets**



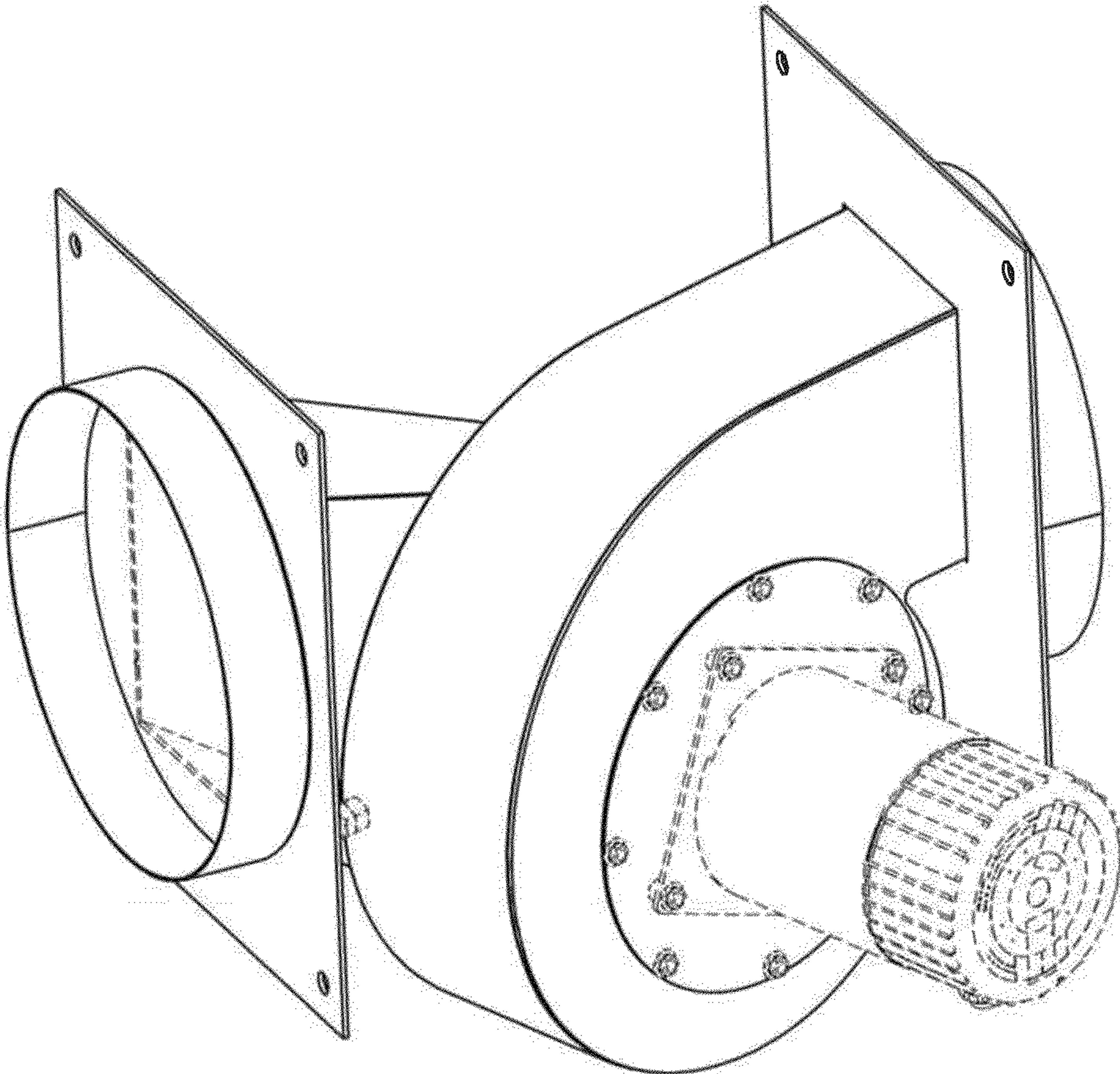


FIG. 1



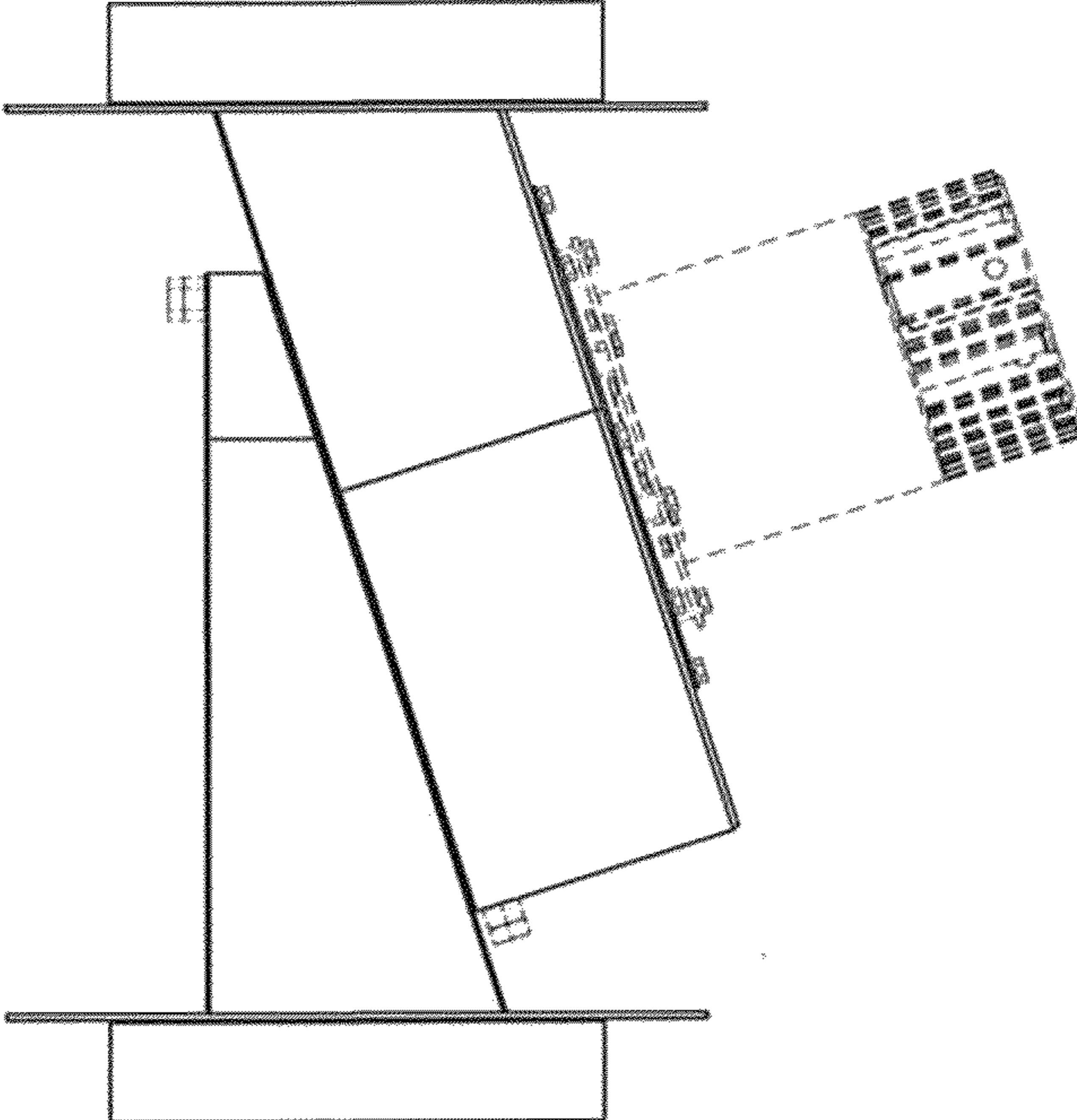


FIG. 2

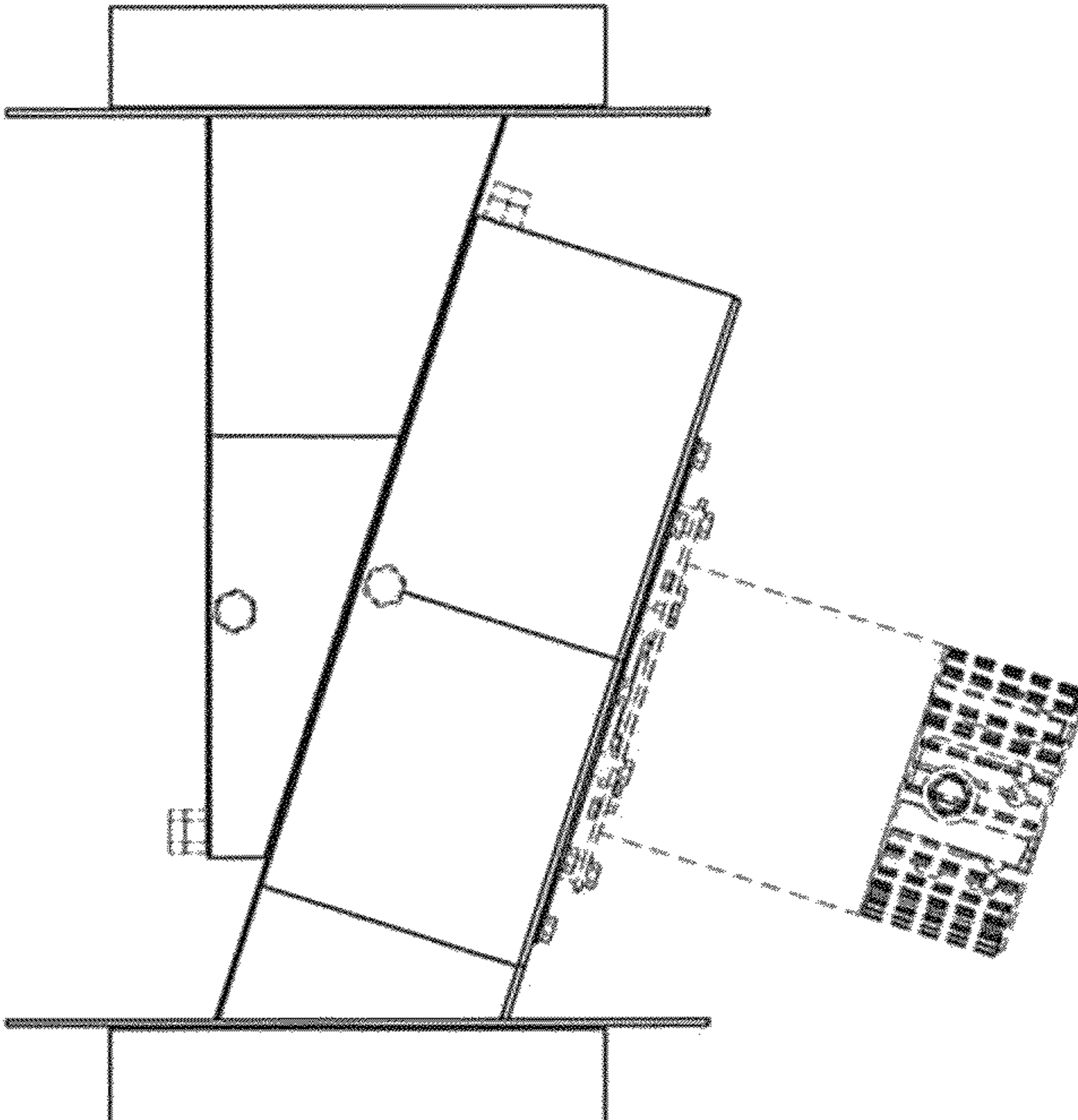


FIG. 3

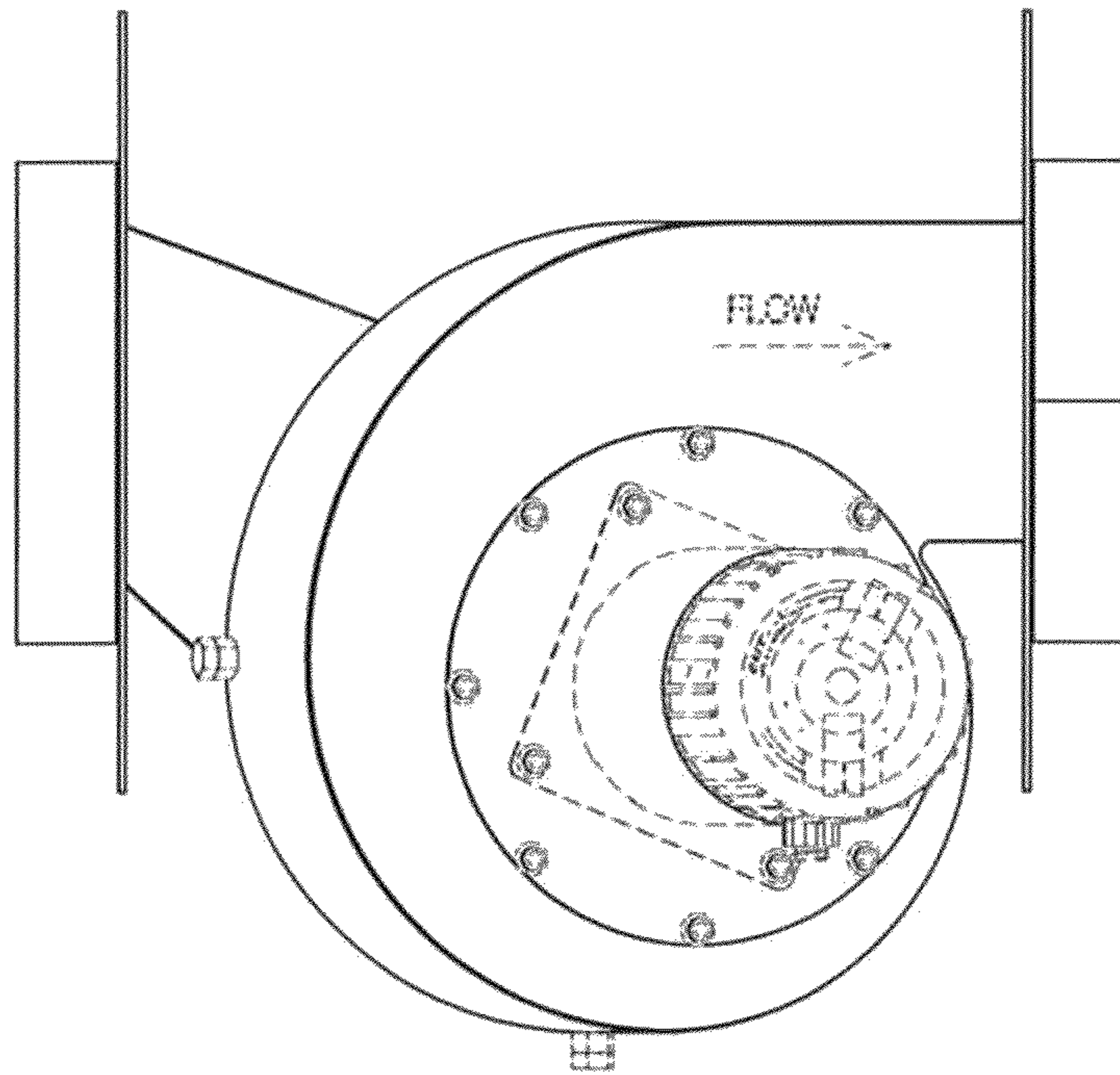


FIG. 4

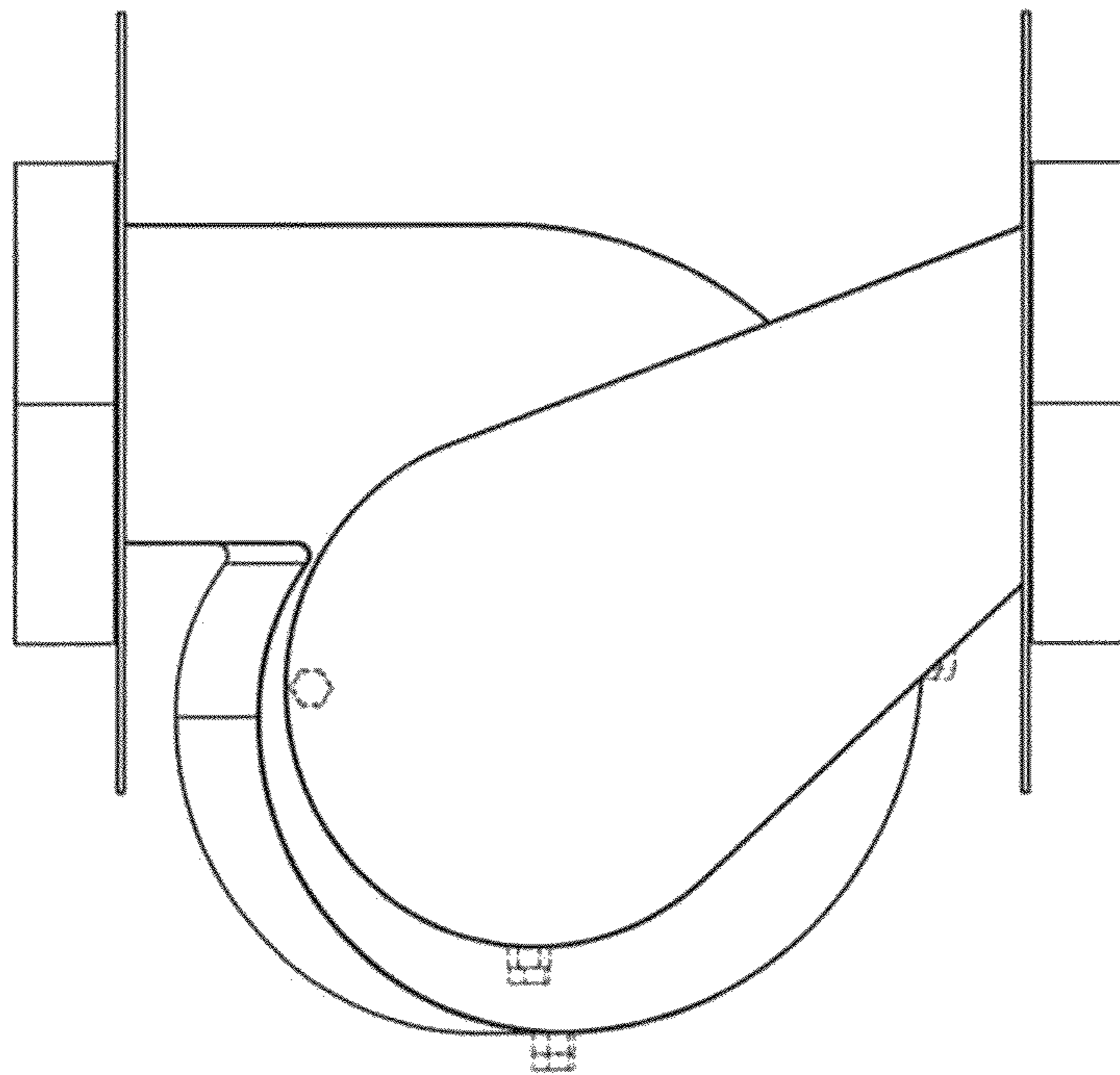


FIG. 5

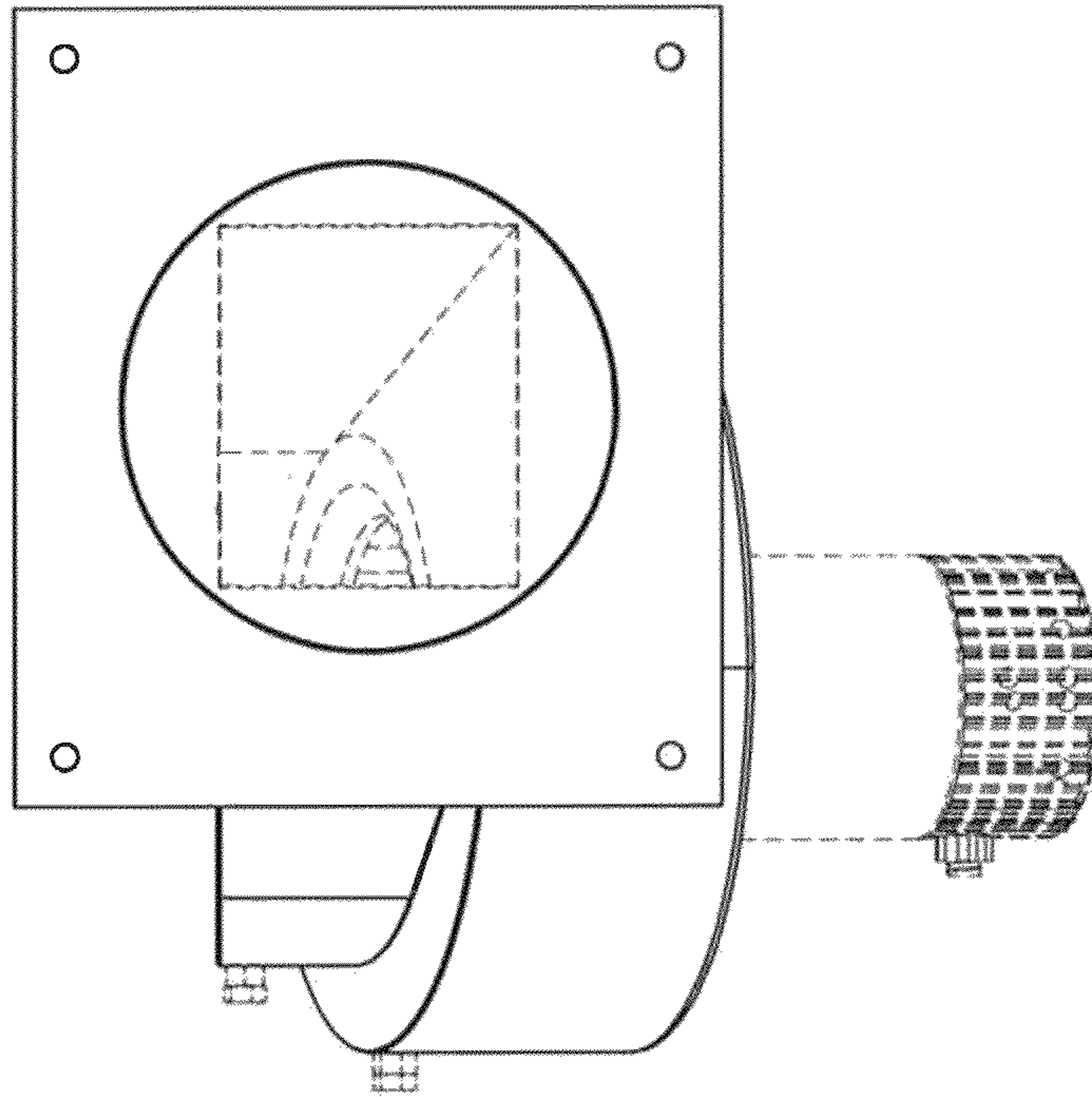


FIG. 6

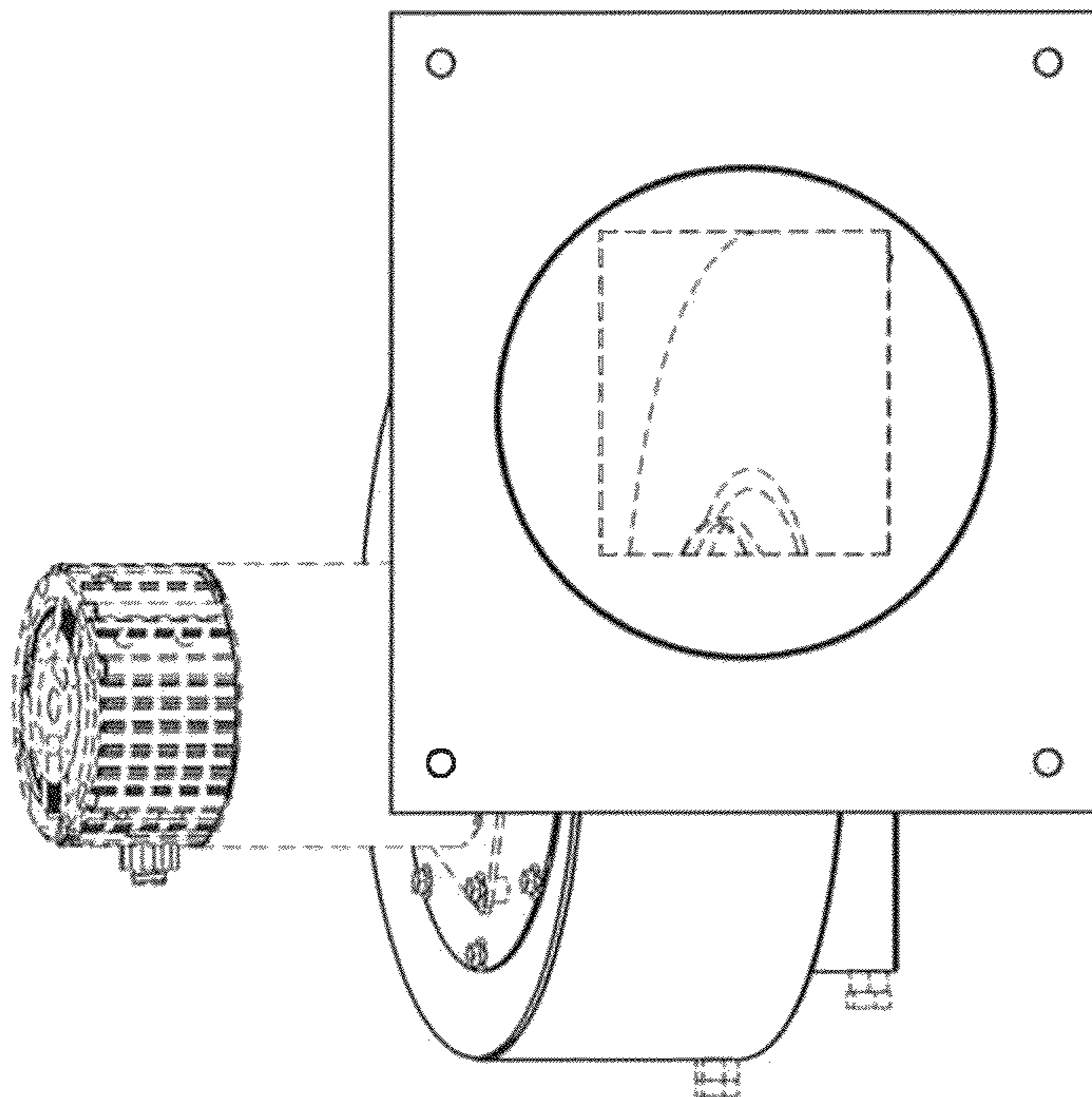


FIG. 7