



US00D726895S

(12) **United States Design Patent**
Takatsuka et al.

(10) **Patent No.:** **US D726,895 S**

(45) **Date of Patent:** **** Apr. 14, 2015**

(54) **CONTAINER**

(71) Applicant: **Kobayashi Pharmaceutical Co., Ltd.**,
Osaka (JP)

(72) Inventors: **Michiyuki Takatsuka**, Nishinomiya
(JP); **Takahisa Uchida**, Osaka (JP);
Syuhei Harada, Ibaraki (JP); **Seiji**
Yamasaki, Osaka (JP); **Shuichi Hibi**,
Nishinomiya (JP)

(73) Assignee: **Kobayashi Pharmaceutical Co., Ltd.**
(JP)

(**) Term: **14 Years**

(21) Appl. No.: **29/476,908**

(22) Filed: **Dec. 18, 2013**

(30) **Foreign Application Priority Data**

Jul. 1, 2013 (JP) 2013-014938

(51) **LOC (10) Cl.** **28-99**

(52) **U.S. Cl.**
USPC **D23/369**

(58) **Field of Classification Search**
USPC D23/355-369; D28/5, 6; 261/DIG. 17,
261/DIG. 42, DIG. 65, DIG. 88, DIG. 89;
392/386, 390, 394, 395; 239/34, 44,
239/53, 55, 56, 326; D26/14, 17, 98, 9, 22,
D26/24; D11/131.1; D7/509, 522, 524, 537

See application file for complete search history.

(56) **References Cited**

U.S. PATENT DOCUMENTS

D581,506 S *	11/2008	Kelnhofer	D23/360
D583,451 S *	12/2008	Aloe et al.	D23/366
D583,452 S *	12/2008	Aloe et al.	D23/366
D609,318 S *	2/2010	Lam	D23/356
D620,577 S *	7/2010	Hsiao	D23/366
7,824,627 B2 *	11/2010	Michaels et al.	422/128
D706,915 S *	6/2014	Suzuki	D23/366

FOREIGN PATENT DOCUMENTS

JP	1107107	4/2001
JP	1107507	4/2001
JP	1135379	3/2002
JP	1137137	3/2002
JP	1191645	12/2003
JP	1433889	2/2012

* cited by examiner

Primary Examiner — Sandra Snapp

(74) *Attorney, Agent, or Firm* — Saidman DesignLaw
Group, LLC

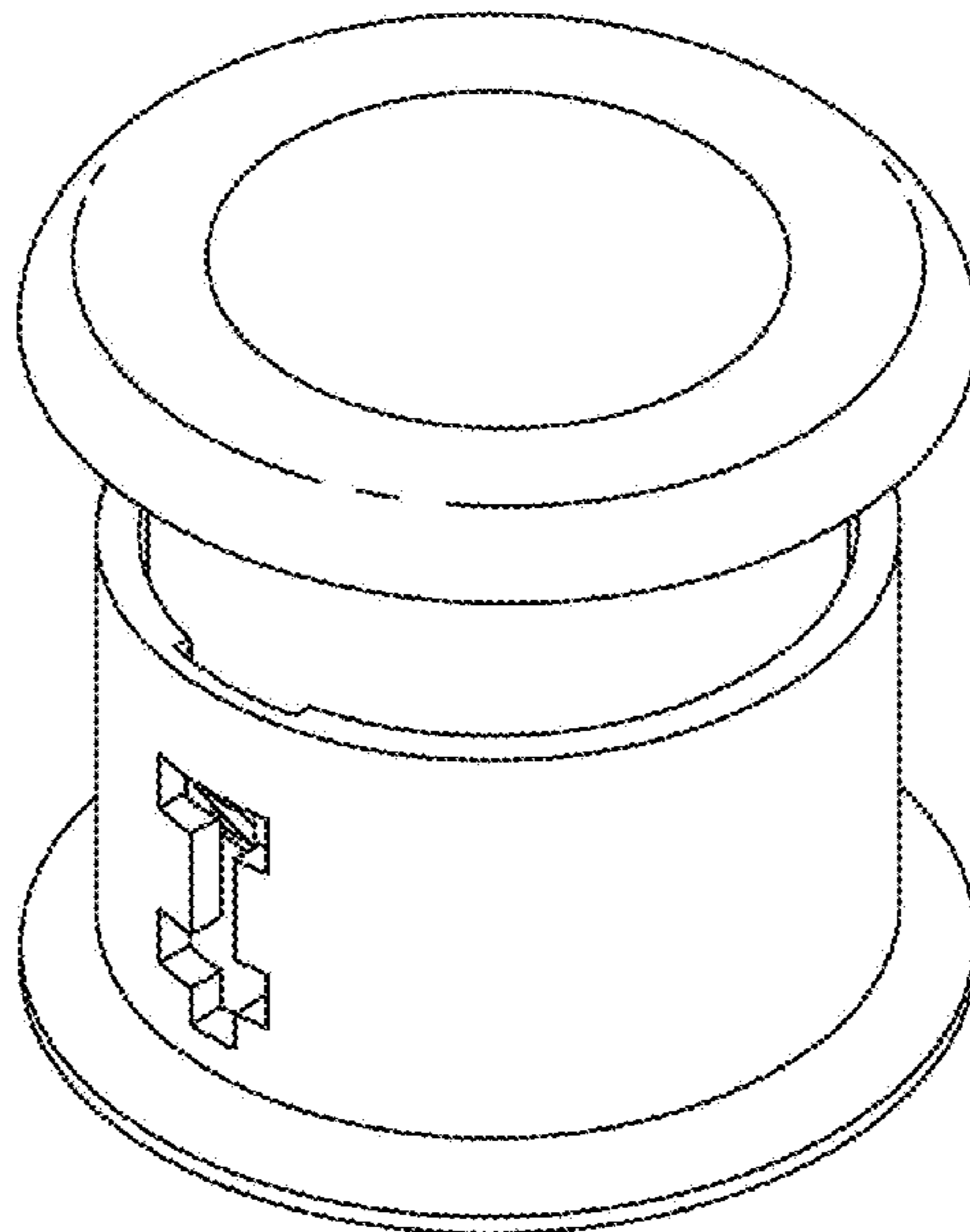
(57) **CLAIM**

The ornamental design for a container, as shown and
described.

DESCRIPTION

FIG. 1 is a front view of a container showing our new design,
the rear view being identical;
FIG. 2 is a top view thereof;
FIG. 3 is a bottom view thereof;
FIG. 4 is a right side view thereof, the left side view being
identical; and,
FIG. 5 is a perspective view thereof.

1 Claim, 3 Drawing Sheets



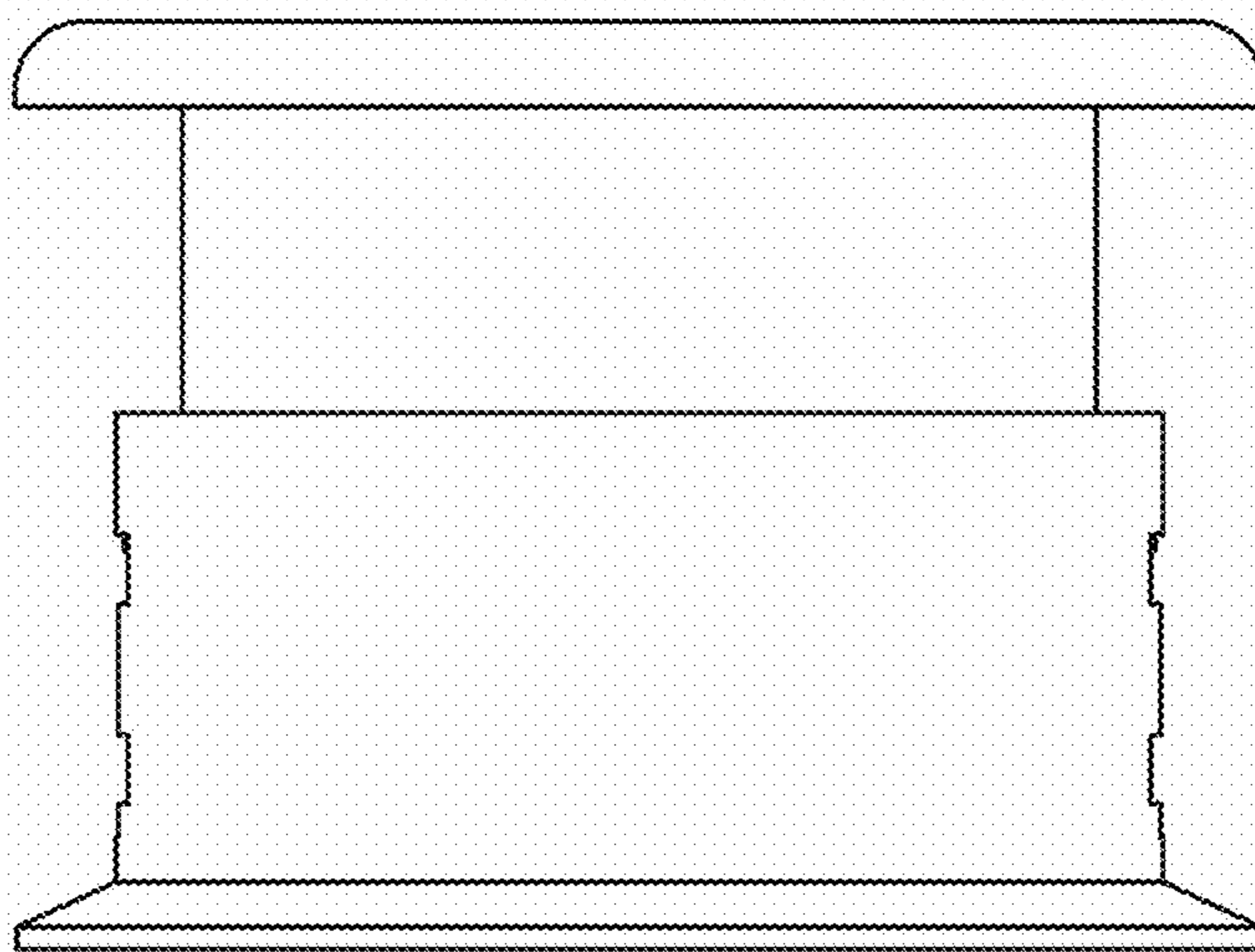


Fig. 1

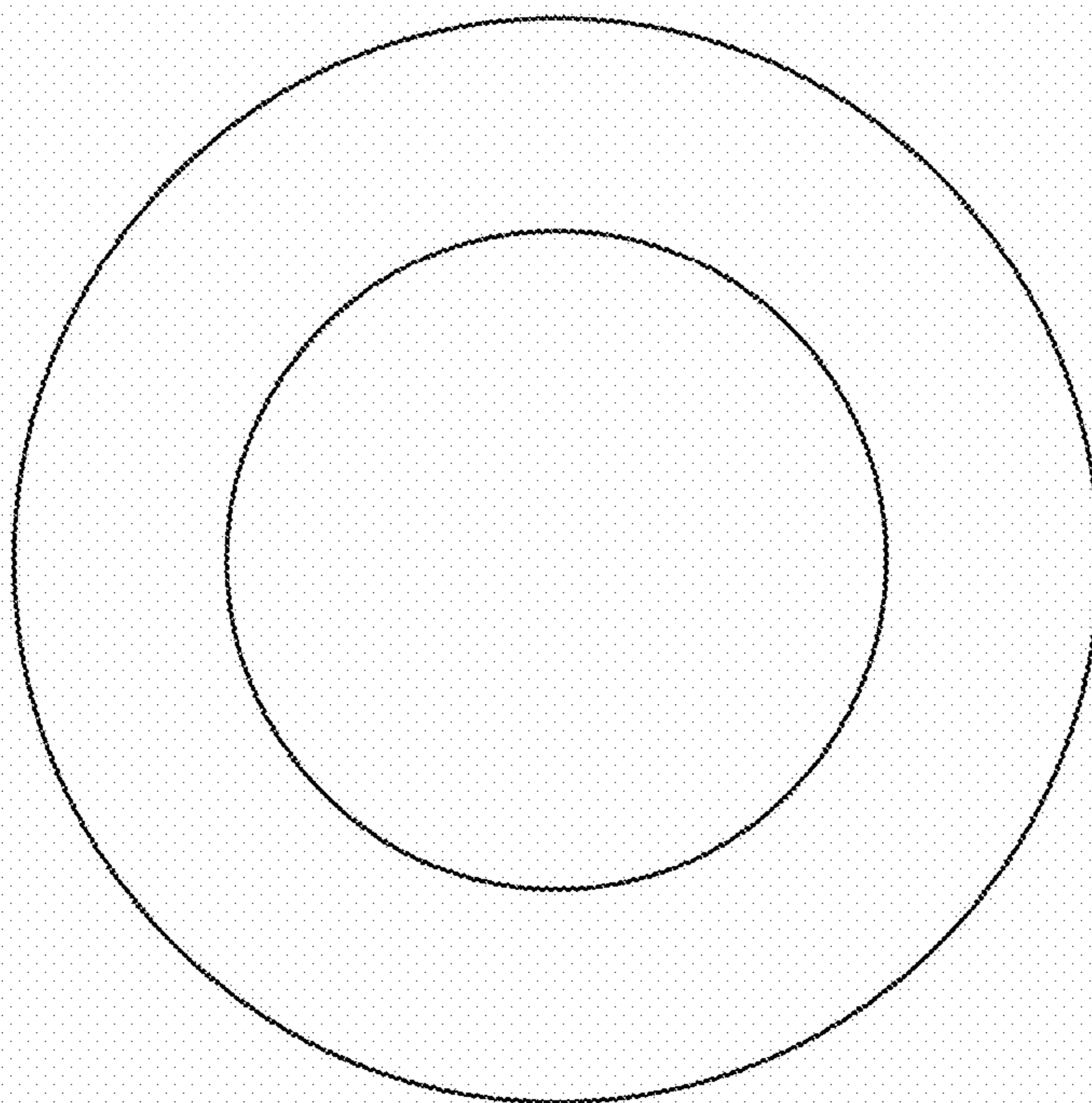


Fig. 2

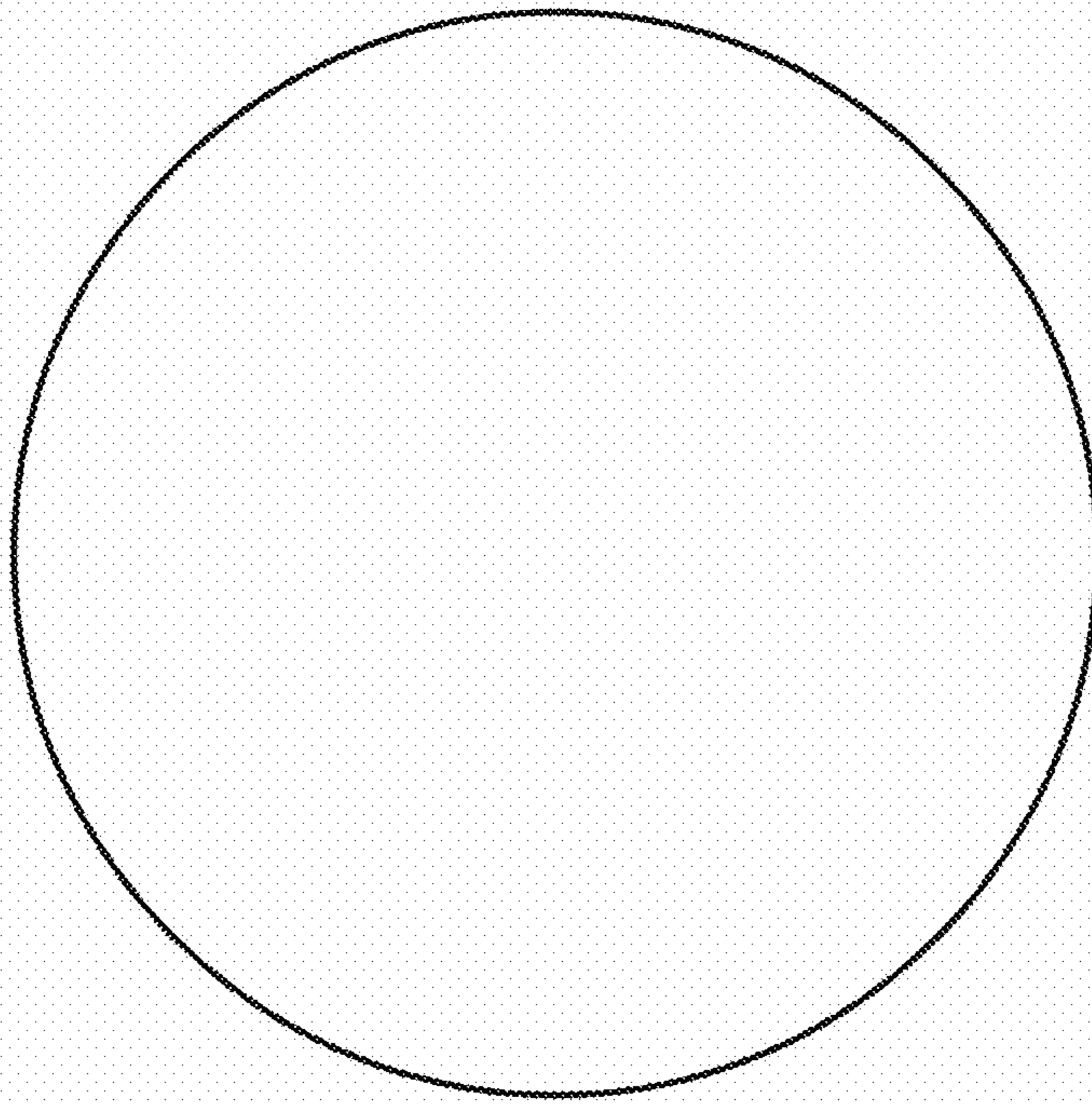


Fig. 3

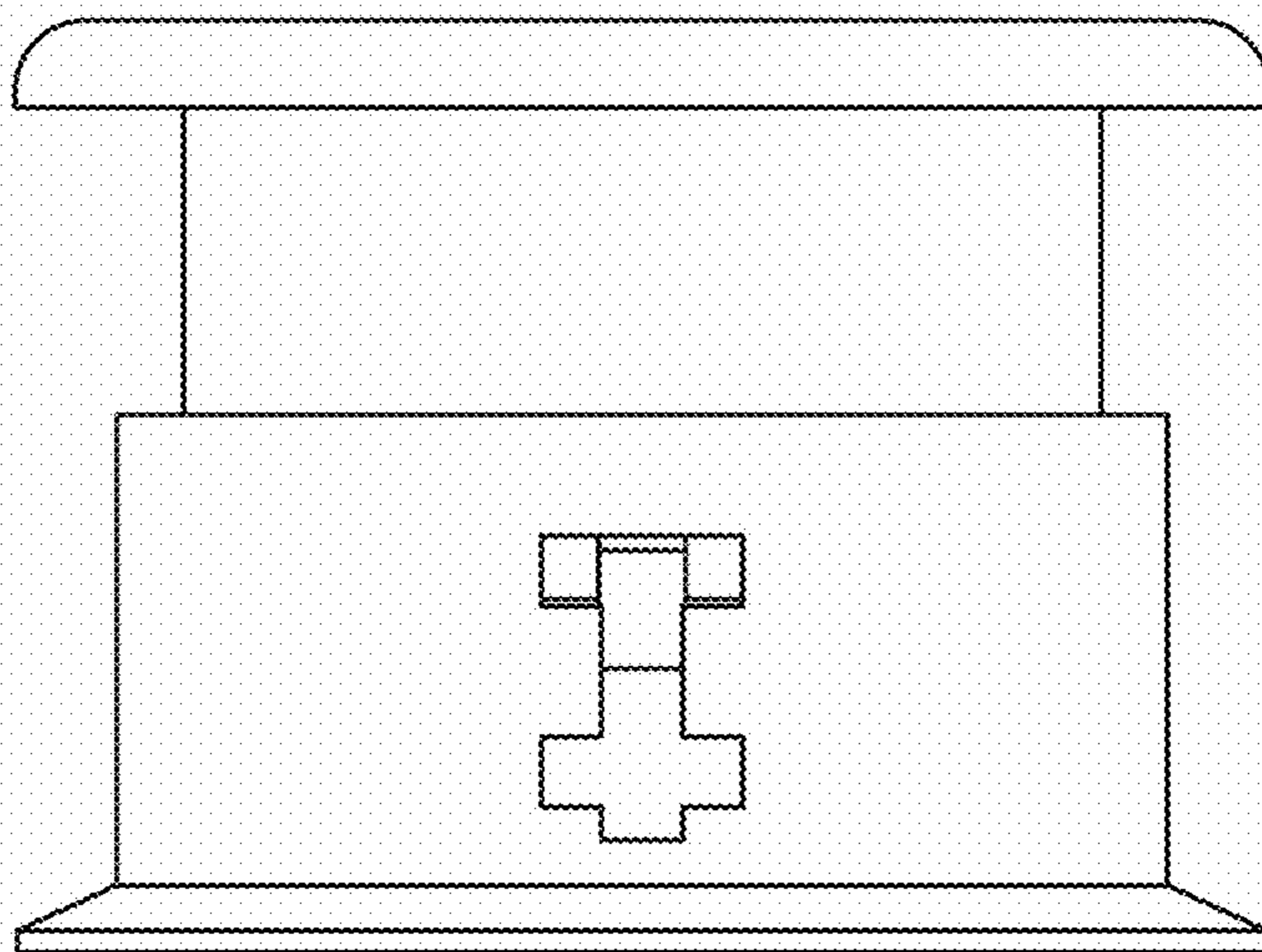


Fig. 4

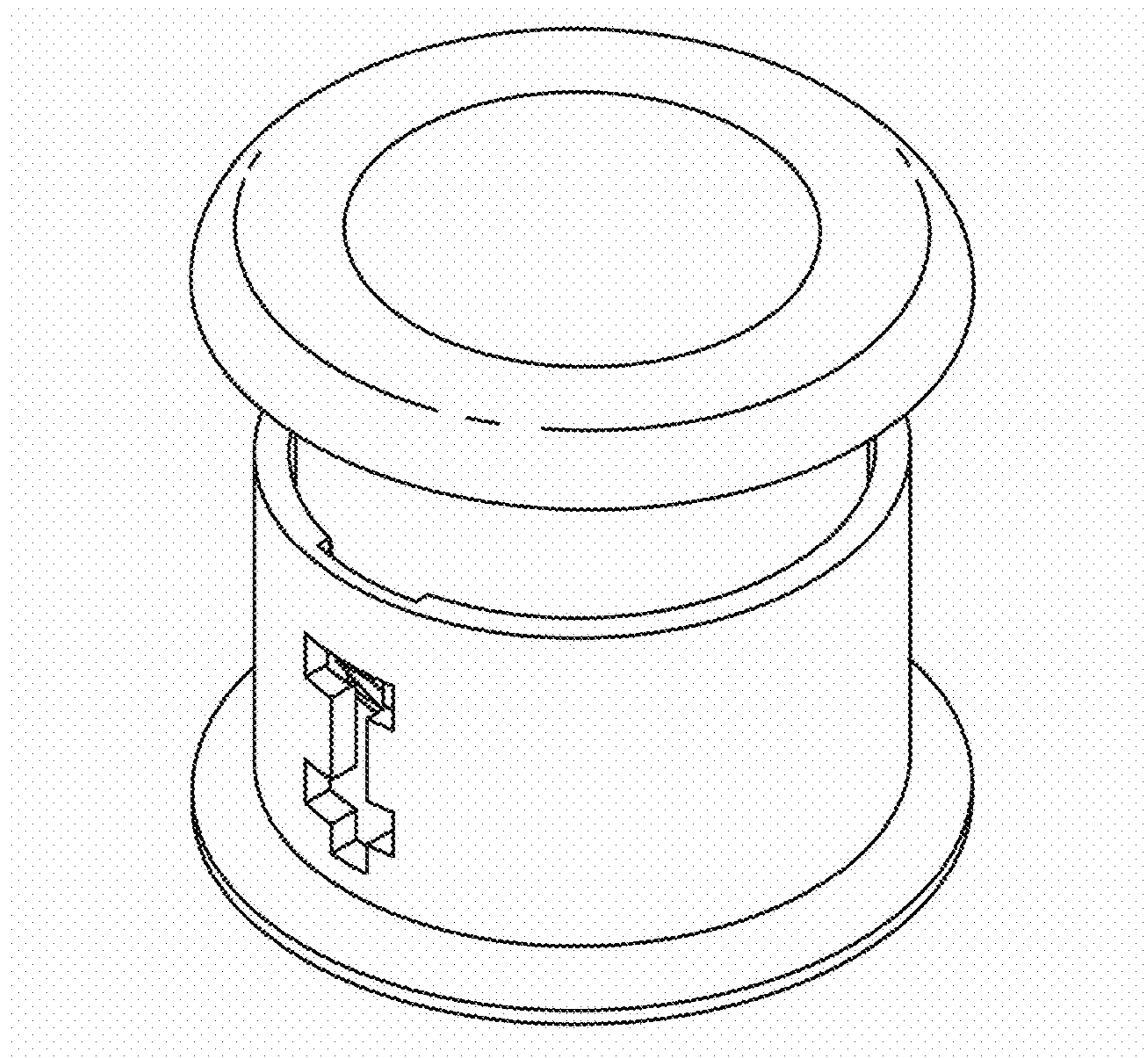


Fig. 5