



US00D726894S

(12) **United States Design Patent**  
**Thau**

(10) **Patent No.:** **US D726,894 S**

(45) **Date of Patent:** **\*\* Apr. 14, 2015**

(54) **SCENT DEVICE**

(71) Applicant: **Thau Strategies Ltd.**, Netanya (IL)

(72) Inventor: **Lior Thau**, Beit Itzhak (IL)

(73) Assignee: **Thau Strategies Ltd.**, Netanya (IL)

(\*\*) Term: **14 Years**

(21) Appl. No.: **29/492,812**

(22) Filed: **Jun. 3, 2014**

(30) **Foreign Application Priority Data**

Dec. 3, 2013 (IL) ..... 54852

(51) **LOC (10) Cl.** ..... **28-99**

(52) **U.S. Cl.**

USPC ..... **D23/366**

(58) **Field of Classification Search**

CPC ..... A61L 9/00; A61L 9/02; A61L 9/03;

A61L 9/032; A61L 9/035; A61L 9/037;

A61L 9/04; A61L 9/12; A61L 9/22

USPC ..... D23/355-369; D28/5, 6; 261/DIG. 17,

261/DIG. 42, DIG. 65, DIG. 88, DIG. 89;

392/386, 390, 394, 395, 397; 239/34,

239/44, 53, 55, 56, 326

See application file for complete search history.

(56) **References Cited**

U.S. PATENT DOCUMENTS

D581,506 S \* 11/2008 Kelnhofer ..... D23/360

D643,088 S \* 8/2011 McDaniel et al. .... D22/125

\* cited by examiner

*Primary Examiner* — Sandra Snapp

(74) *Attorney, Agent, or Firm* — Pearl Cohen Zedek Latzer Baratz LLP

(57) **CLAIM**

The ornamental design for a scent device, as shown and described.

**DESCRIPTION**

FIG. 1 is a left side elevational view of the scent device;

FIG. 2 is a right side elevational view thereof;

FIG. 3 is a back elevational view thereof;

FIG. 4 is a front elevational view of thereof;

FIG. 5 is a top plan view of thereof;

FIG. 6 is a bottom plan view thereof;

FIG. 7 is a top, front, left side perspective view thereof;

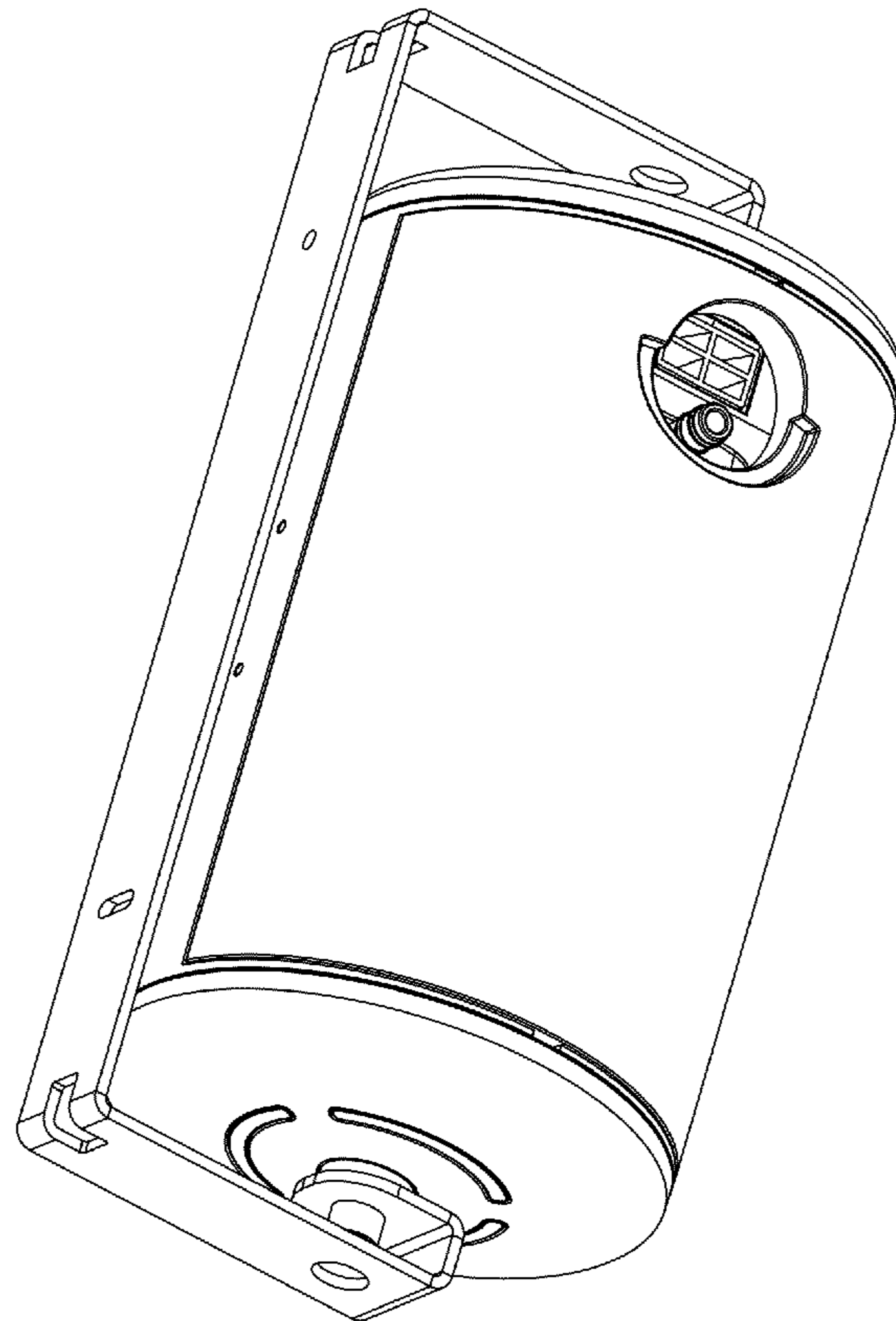
FIG. 8 is a bottom, front, left side perspective view thereof;

FIG. 9 is a bottom, front, right side perspective view thereof;

and,

FIG. 10 is a bottom, back, left side perspective view thereof.

**1 Claim, 10 Drawing Sheets**



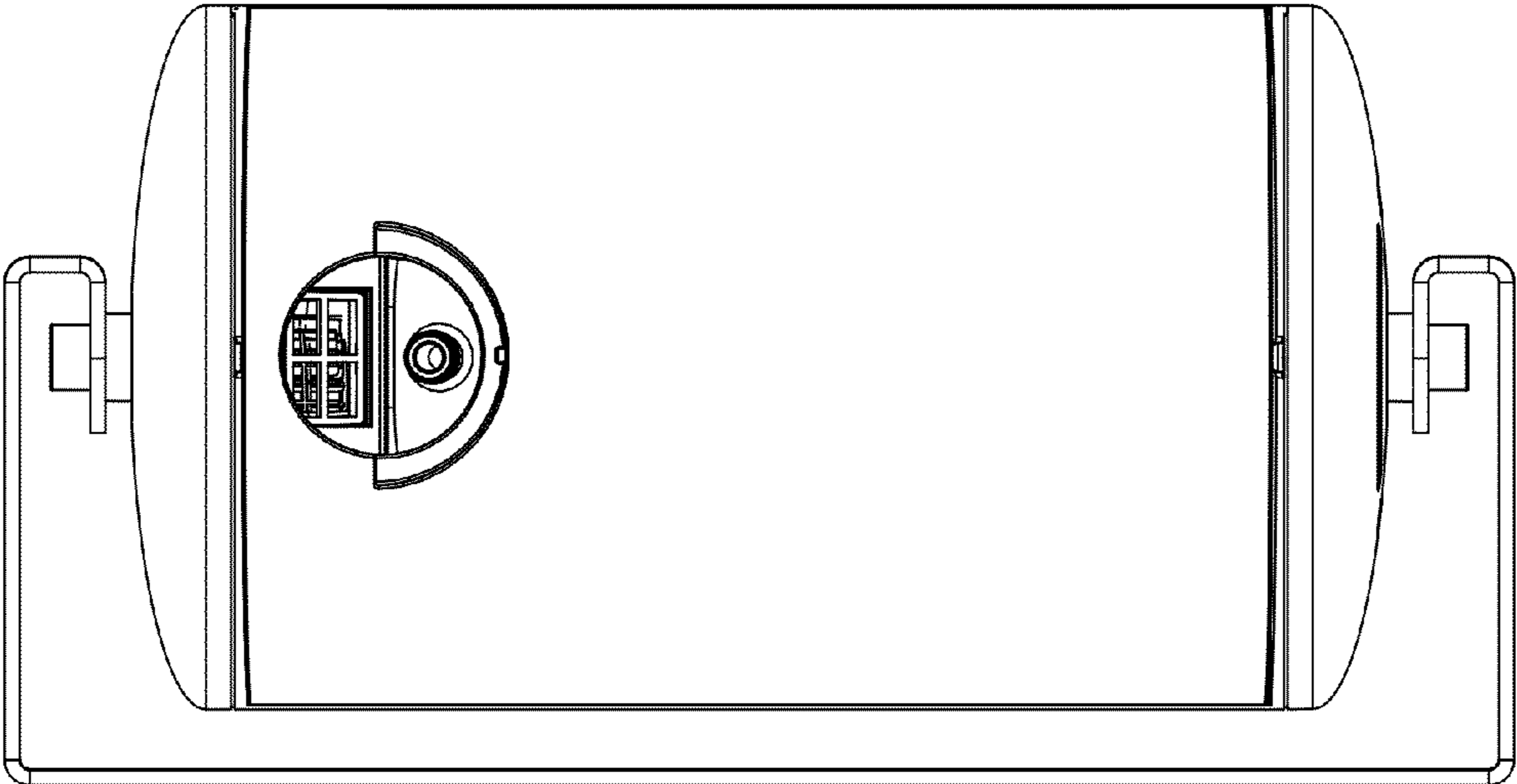


FIGURE 1

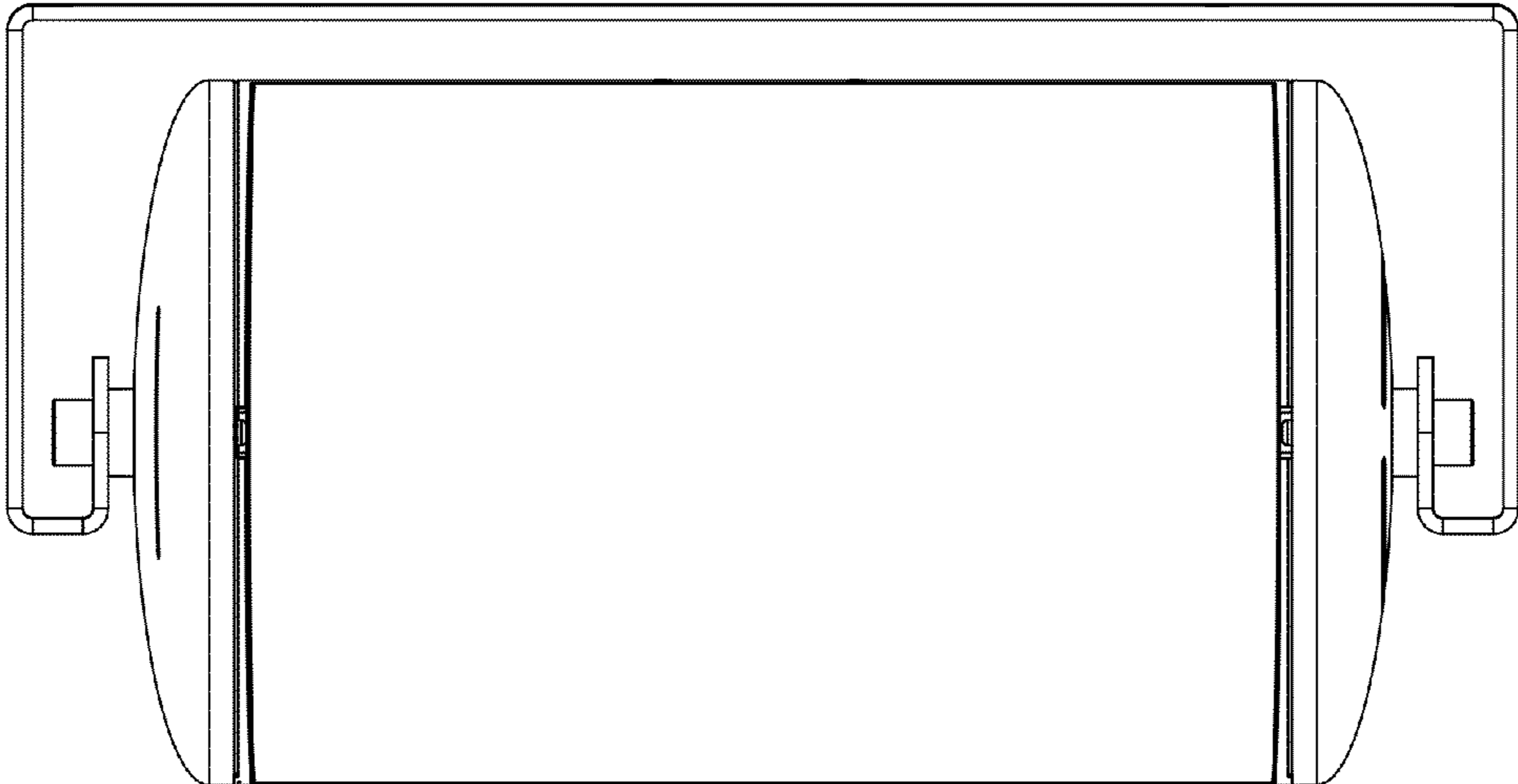


FIGURE 2

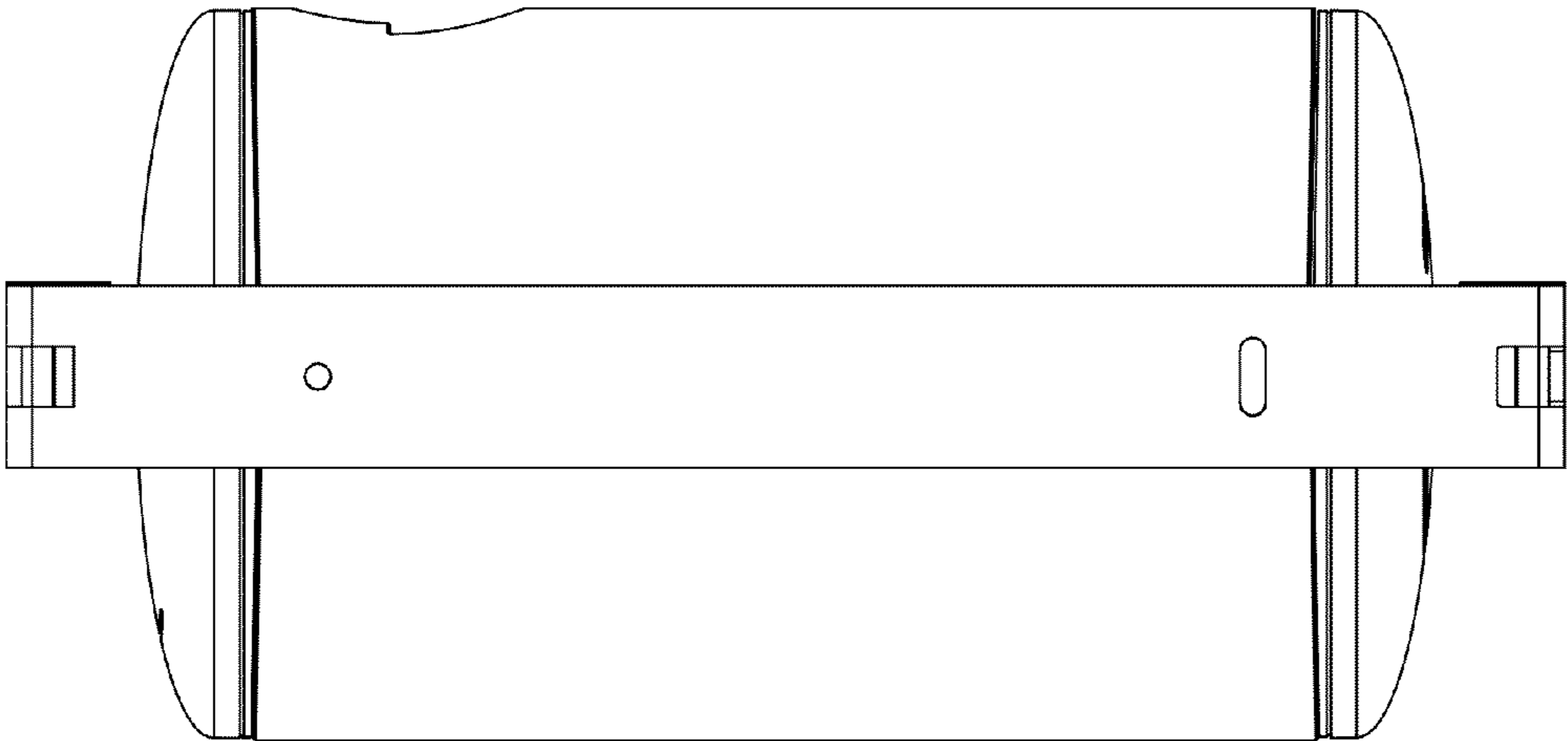


FIGURE 3

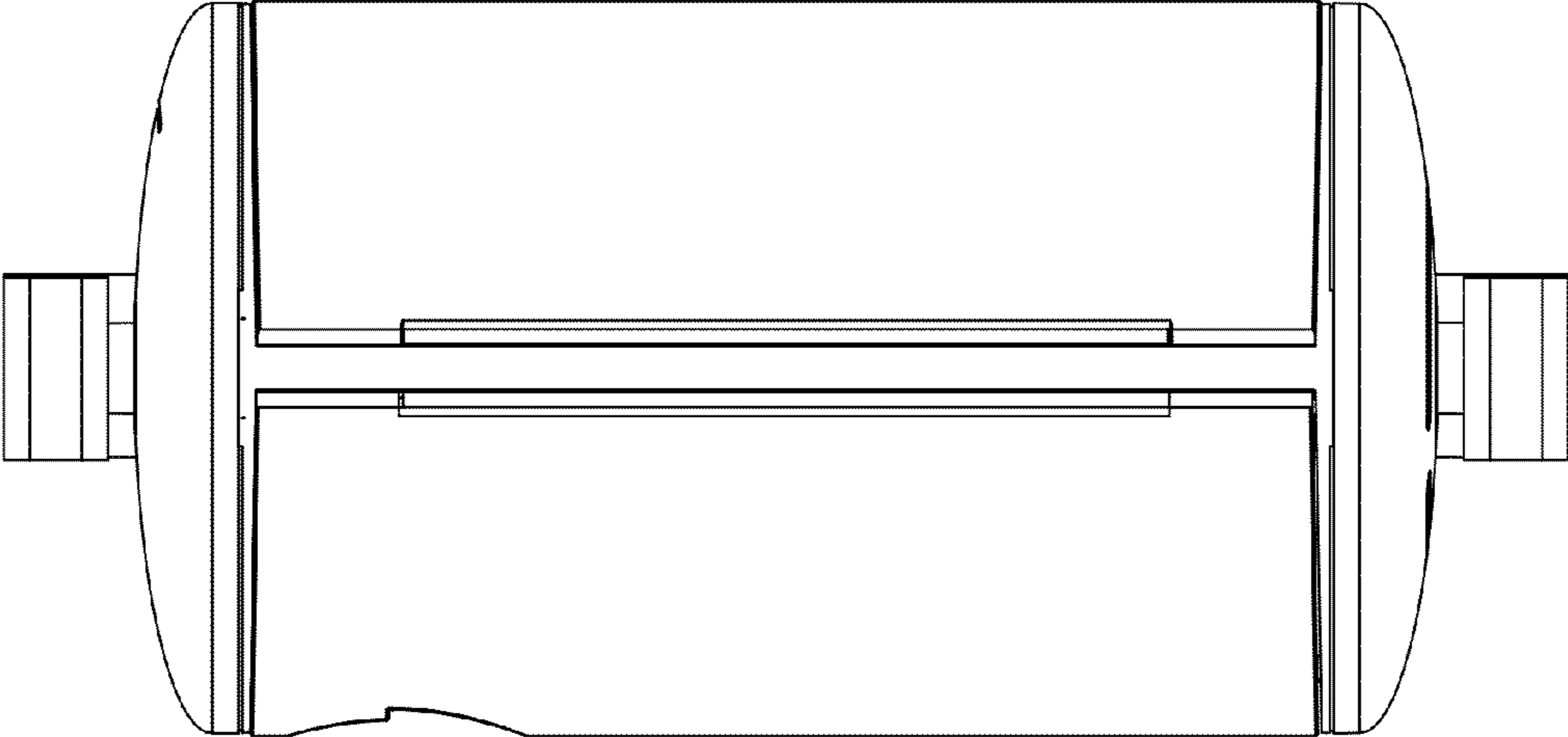


FIGURE 4

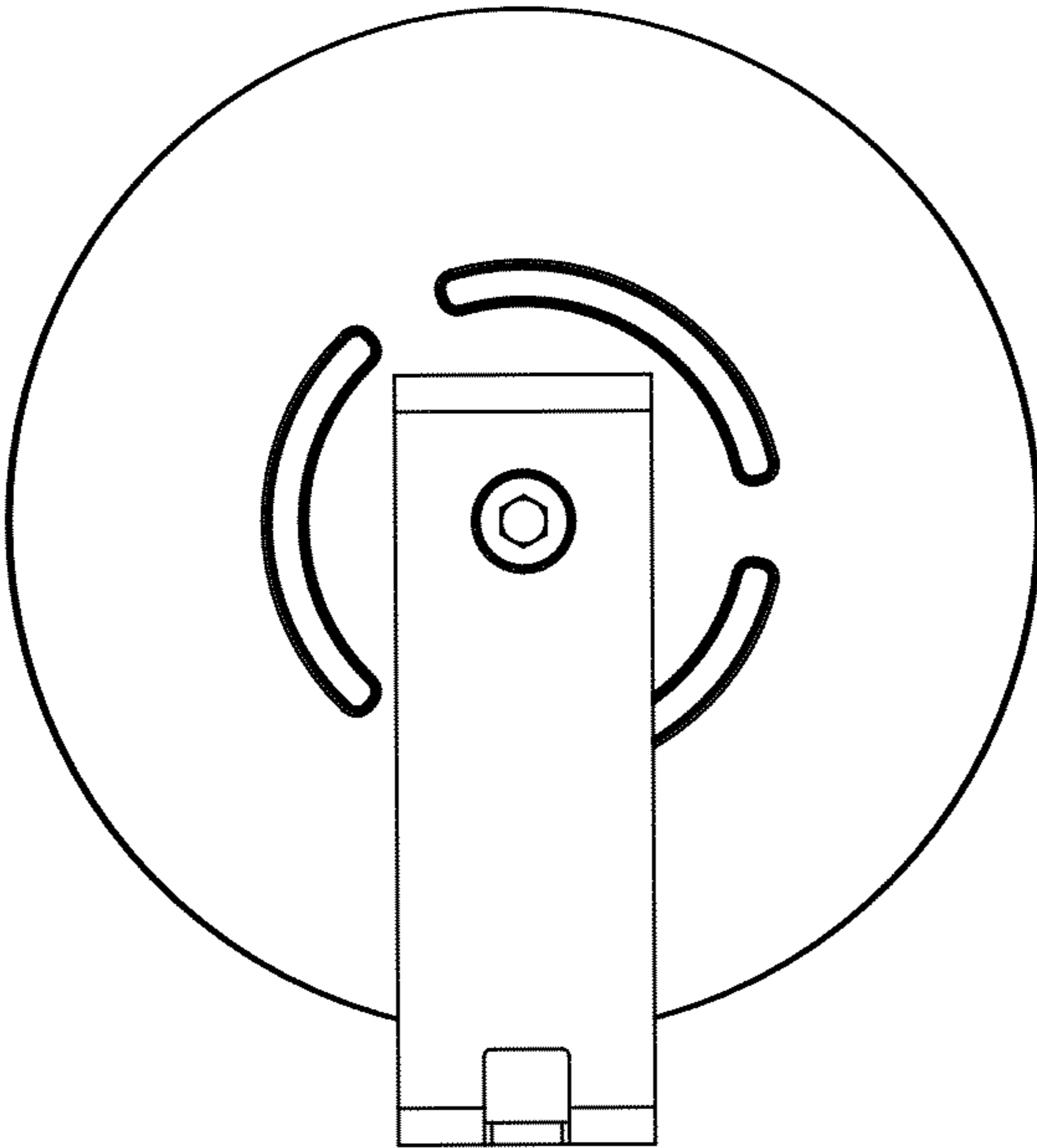


FIGURE 5

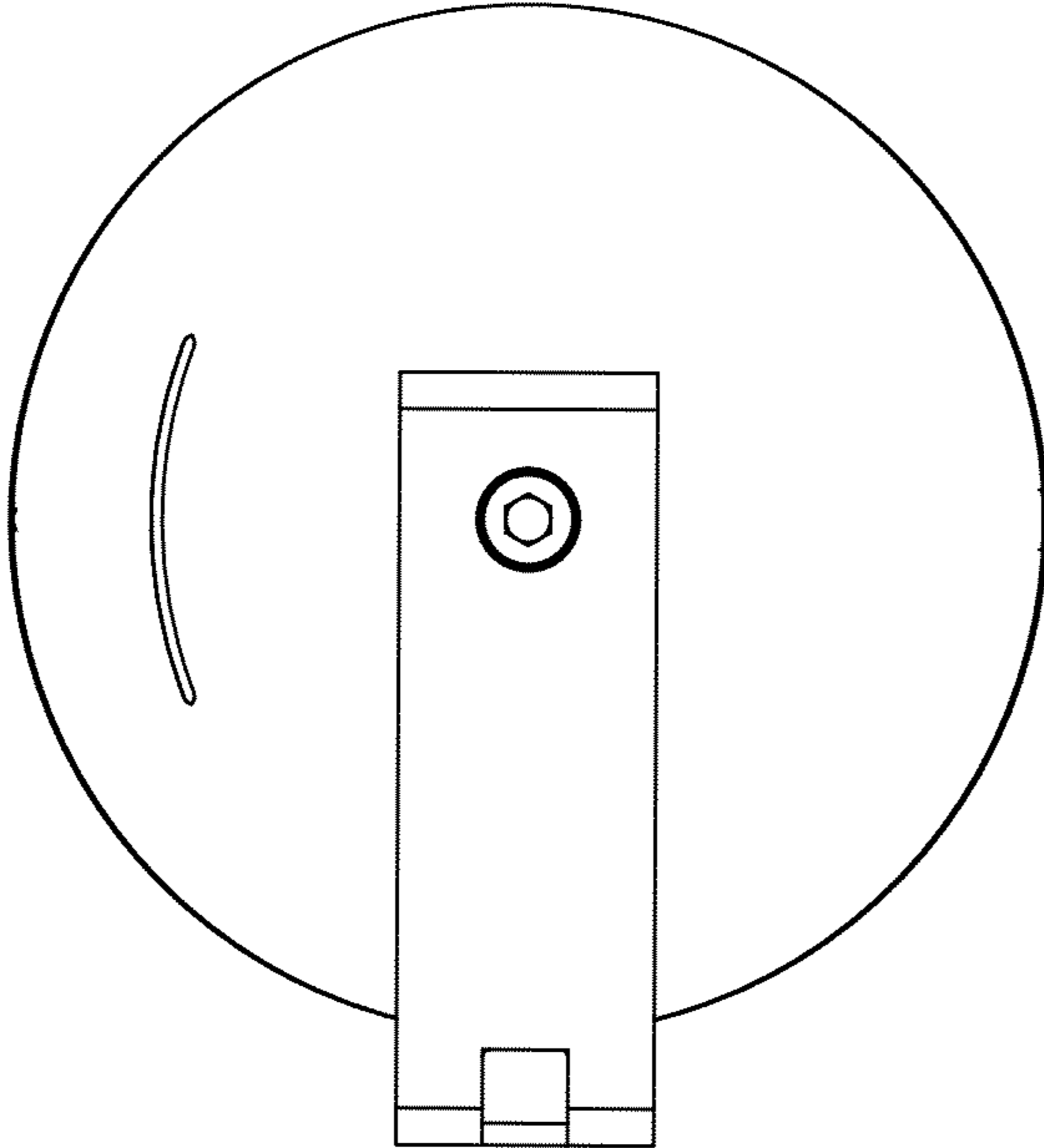


FIGURE 6

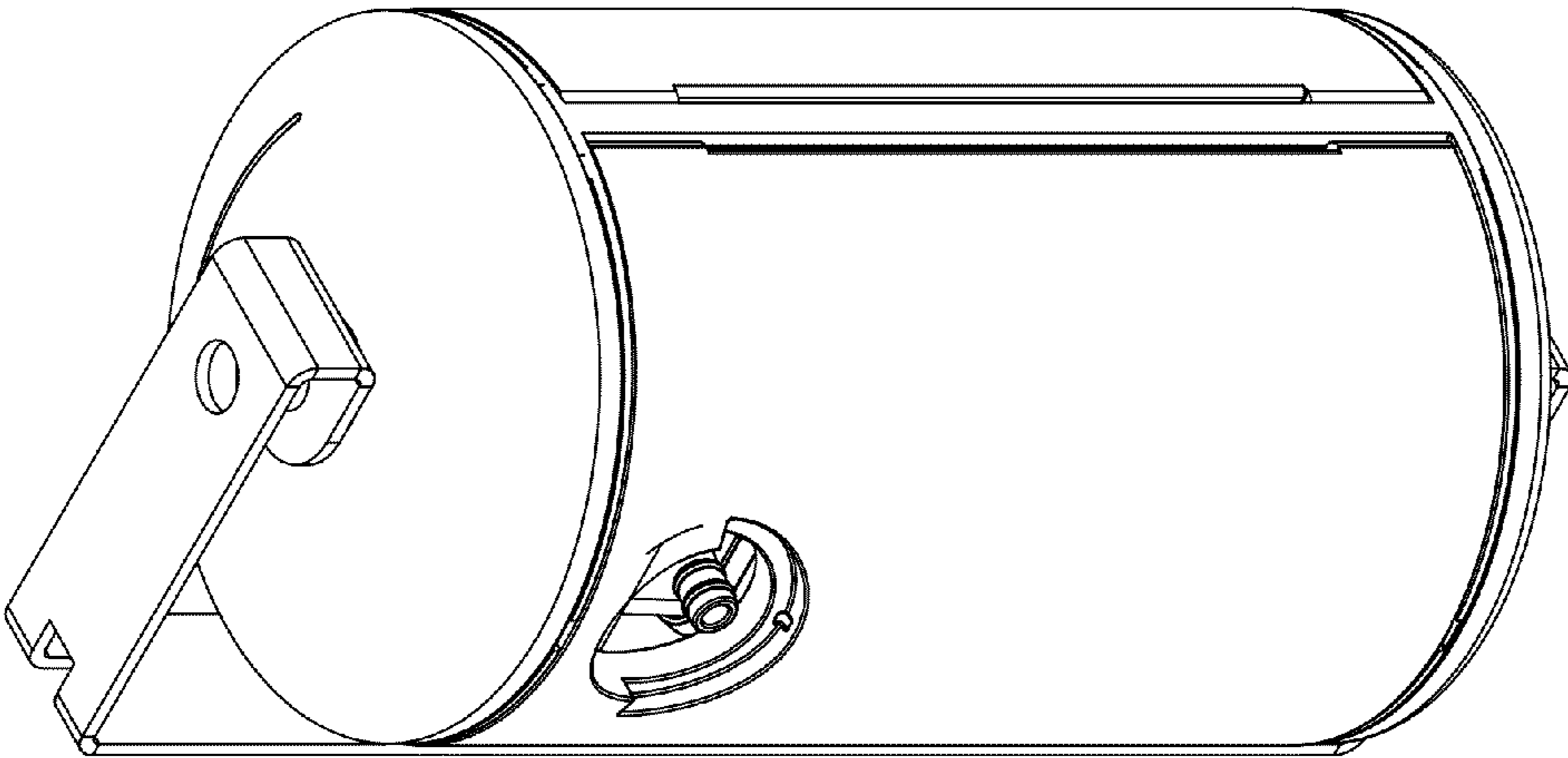


FIGURE 7



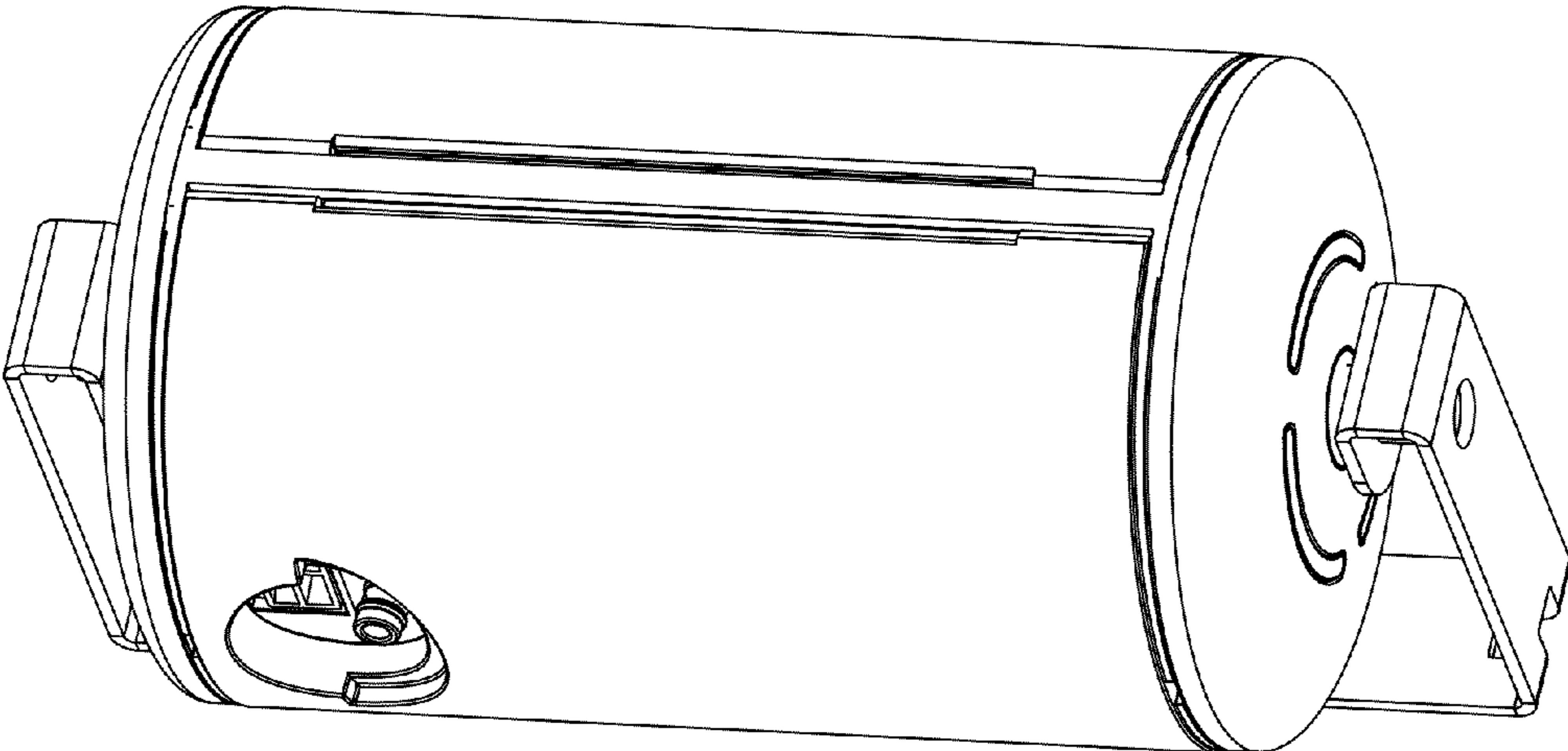


FIGURE 8

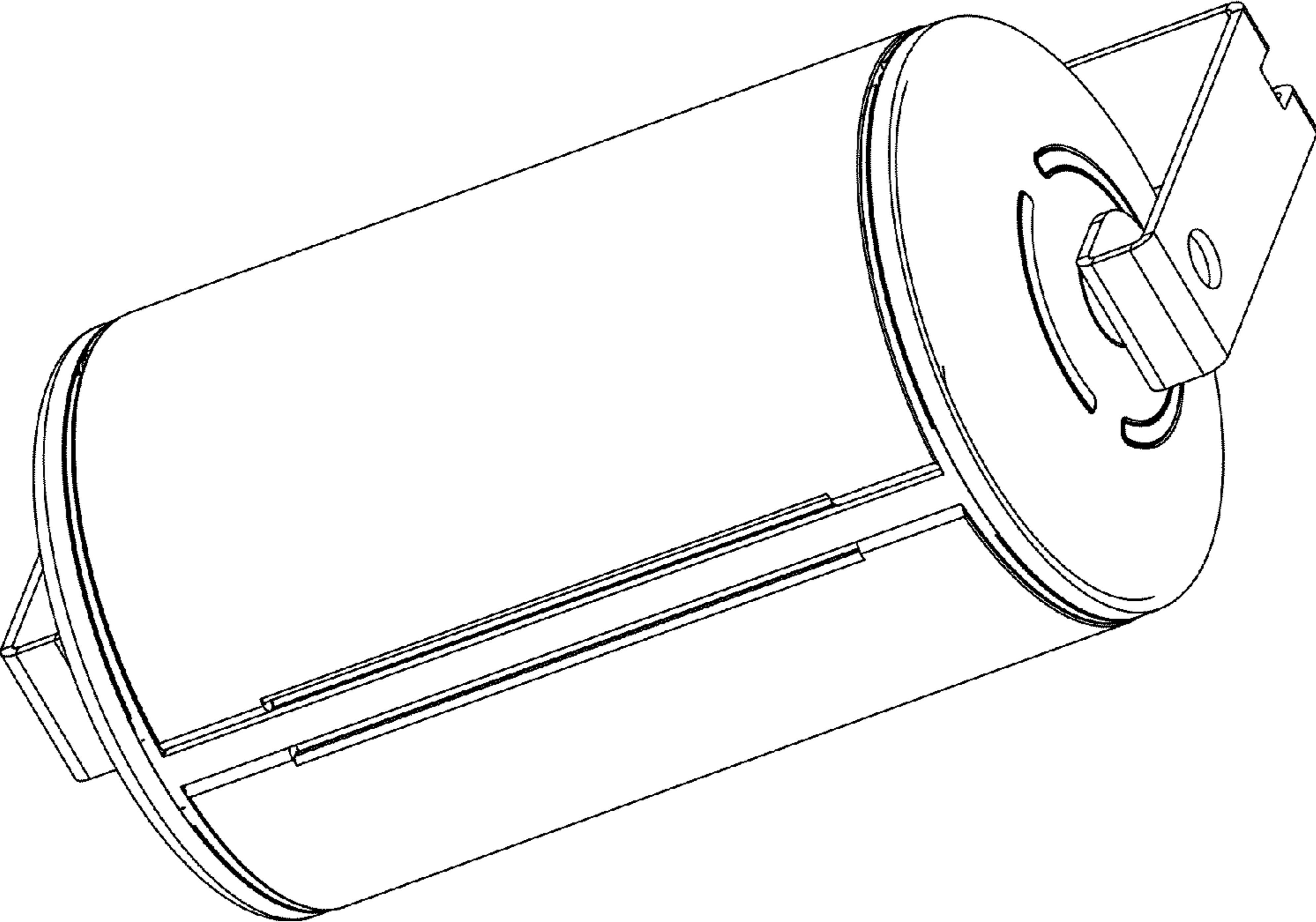


FIGURE 9

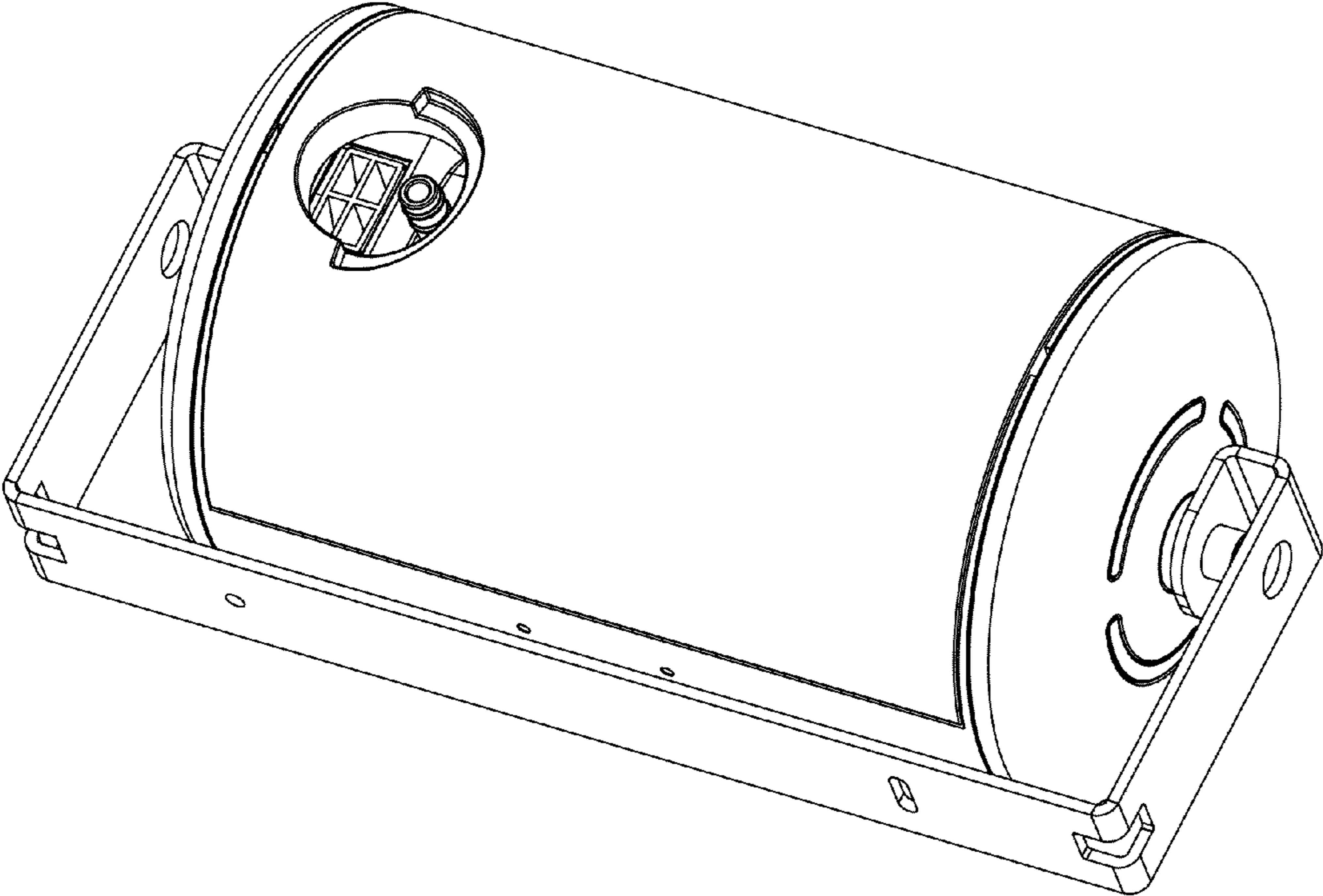


FIGURE 10