



US00D726892S

(12) **United States Design Patent**
Chan

(10) **Patent No.:** **US D726,892 S**
(45) **Date of Patent:** **** Apr. 14, 2015**

- (54) **WATER COOLING FAN**
- (71) Applicant: **Chia-Ming Chan**, Taichung (TW)
- (72) Inventor: **Chia-Ming Chan**, Taichung (TW)
- (73) Assignee: **Ya Suh Dar Ventilation Co., Ltd.**, Taichung (TW)
- (**) Term: **14 Years**
- (21) Appl. No.: **29/480,052**
- (22) Filed: **Jan. 23, 2014**
- (51) **LOC (10) Cl.** **23-04**
- (52) **U.S. Cl.**
USPC **D23/333; D23/351**
- (58) **Field of Classification Search**
CPC F24F 1/025; F24F 5/0035; F24F 6/04;
F28D 5/00
USPC D23/317, 330, 332, 333, 335, 351, 354,
D23/370-379, 381-385, 395, 411, 499;
D13/175, 179; D15/7; 62/89.304, 305,
62/309, 314-316; 96/265, 294, 359;
261/26, 29, 30, 80, 91, 92, 97, 106,
261/127
See application file for complete search history.

- (56) **References Cited**
U.S. PATENT DOCUMENTS
D182,029 S * 2/1958 Kirk D23/382
3,205,676 A * 9/1965 Walker et al. 62/226
D263,461 S * 3/1982 Young D12/166
D284,999 S * 8/1986 Worthington et al. D23/351
4,615,182 A * 10/1986 Worthington 62/310
D313,271 S * 12/1990 Schade D23/332
D316,235 S * 4/1991 Preisler et al. D12/114
D362,905 S * 10/1995 Wulf et al. D23/351
D375,547 S * 11/1996 Wang D23/382
D381,071 S * 7/1997 Hussong D23/317
D397,194 S * 8/1998 Hebert D23/354
D407,478 S * 3/1999 Wilson, Jr. D23/370

- D410,536 S * 6/1999 Willey et al. D23/332
- D419,230 S * 1/2000 Ciccone D23/333
- 6,223,548 B1 * 5/2001 Calvert 62/304

(Continued)

OTHER PUBLICATIONS

Port-A-Cool mobile evaporative cooler (for military applications). portacool48.blogspot.com (online). 4 pages. Uploaded as early as Jun. 17, 2013 [retrieved on Dec. 1, 2014]. Retrieved from Internet: <<http://portacool48.blogspot.com/2010/05/cooling-solution-for-military.html>>.*

(Continued)

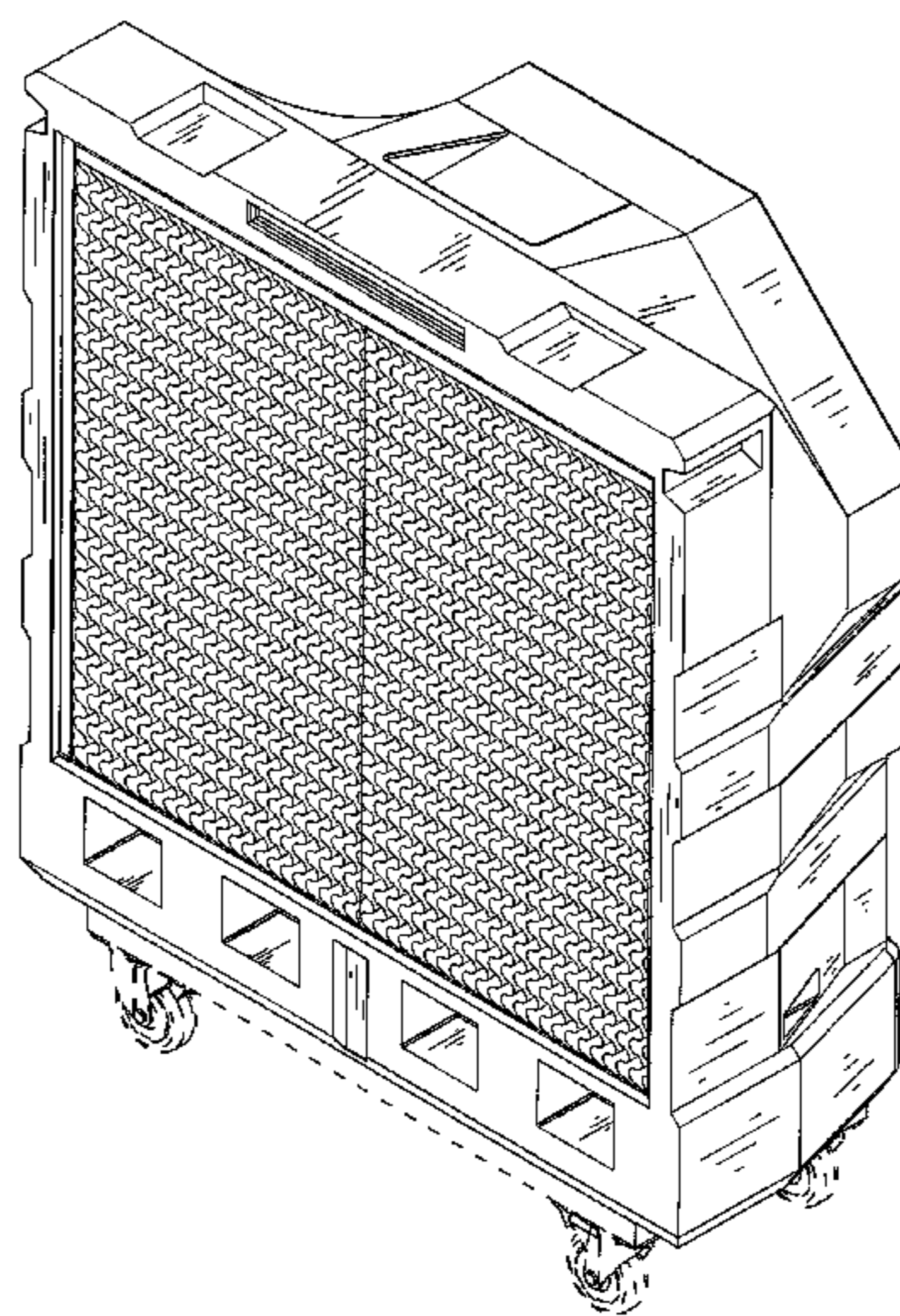
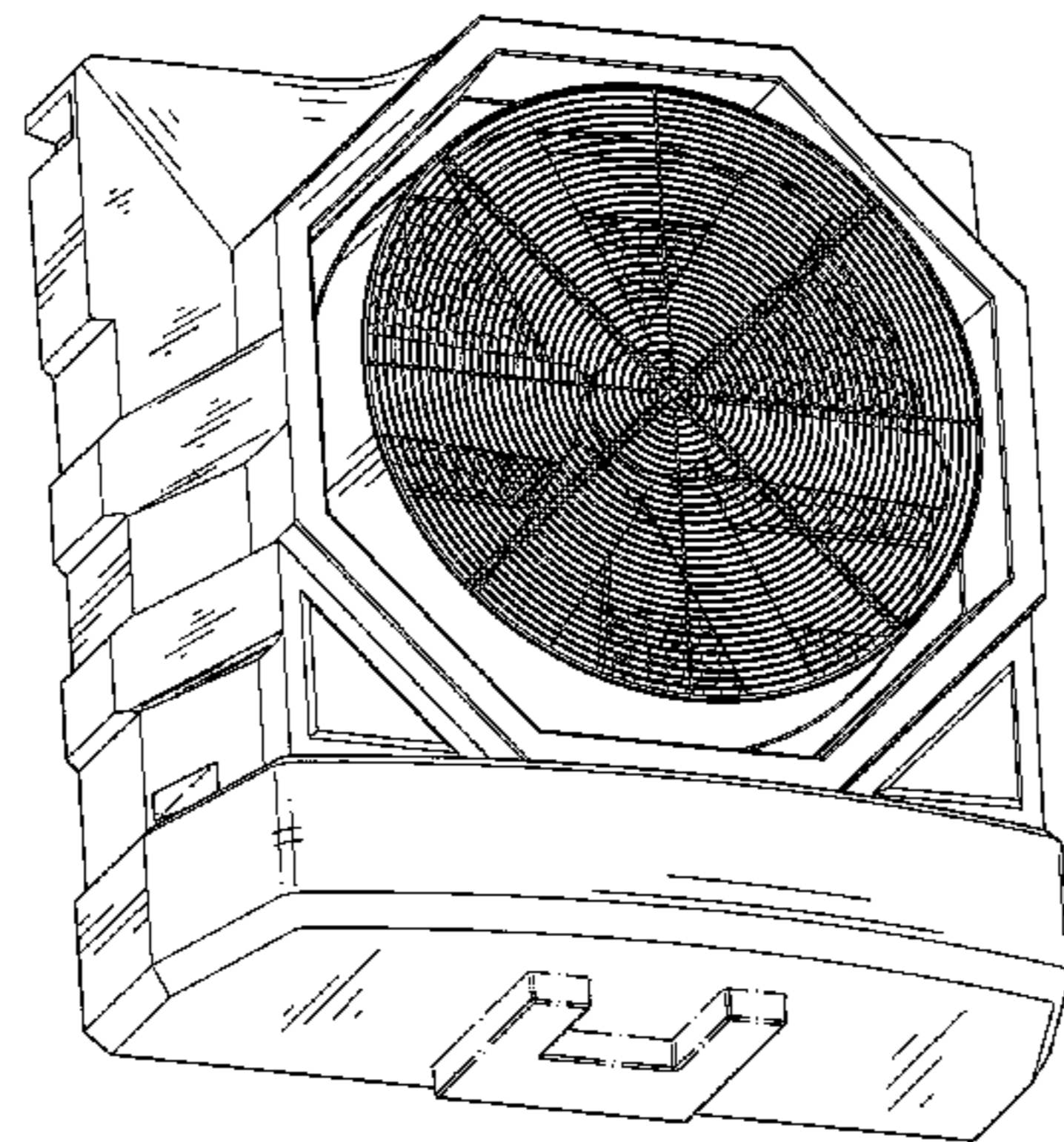
Primary Examiner — Susan B Hattan
Assistant Examiner — Marie Fast Horse
(74) *Attorney, Agent, or Firm* — Alan D. Kamrath; Kamrath IP Lawfirm, P.A.

(57) **CLAIM**
The ornamental design for a water cooling fan, as shown and described.

DESCRIPTION

FIG. 1 is a perspective view of a water cooling fan showing my design;
FIG. 2 is another perspective view thereof;
FIG. 3 is a front elevational view thereof;
FIG. 4 is a rear elevational view thereof;
FIG. 5 is a left side elevational view thereof;
FIG. 6 is a right side elevational view thereof;
FIG. 7 is a top plan view thereof;
FIG. 8 is bottom plan view thereof; and,
FIG. 9 is a perspective view showing the water cooling fan in use.
The broken lines shown in FIGS. 4 and 5 depict parts of the water cooling fan that form no part of the claimed design.
The broken lines shown in FIG. 9 illustrate environmental structure and form of the water cooling fan which forms no part of the claimed design.

1 Claim, 9 Drawing Sheets



(56)

References Cited

U.S. PATENT DOCUMENTS

D466,603 S *	12/2002	Pustelnik	D23/370
D475,354 S *	6/2003	Wang	D13/179
D503,222 S *	3/2005	Hale	D23/333
D505,193 S *	5/2005	Hale	D23/333
D619,511 S *	7/2010	Sullivan	D12/166
D641,065 S *	7/2011	Choi	D23/207
D679,372 S *	4/2013	Crider et al.	D23/382
D701,179 S *	3/2014	Kim et al.	D13/179

OTHER PUBLICATIONS

Cool-Space evaporative cooling fan. cool-spacefans.com (online). 3 pages. Uploaded as early as Sep. 5, 2013 [retrieved on Dec. 2, 2014]. Retrieved from Internet: <<http://cool-spacefans.com/>>.*

Hailan Portable evaporative cooling fan. diytrade.com(online). 3 pages. Uploaded as early as Dec. 19, 2012 [retrieved on Dec. 2, 2014]. Retrieved from Internet: <http://www.diytrade.com/china/pd/7879111/Portable_evaporative_cooling_fans.html>.*

Evaporative cooling blower CN 302477402 (Design -© Questel). orbit.com [online] 4 pages. Jun. 19, 2013 [retrieved on Dec. 2, 2014]. Retrieved from Internet: < <http://www1.orbit.com/index.html?ticket=dd83edec-22c5-4951-bf9b-095da0f8f42a&locale=en#DesignFullPage>>.*

34000m3/h wet air cooler. lulusoso.com(online) 4 pages. Posted Jul. 1, 2012 [retrieved on Dec. 2, 2014]. Retrieved from Internet: <<http://sell.lulusoso.com/selling-leads/2671469/34000m3-h-wet-air-cooler.html>>.*

* cited by examiner

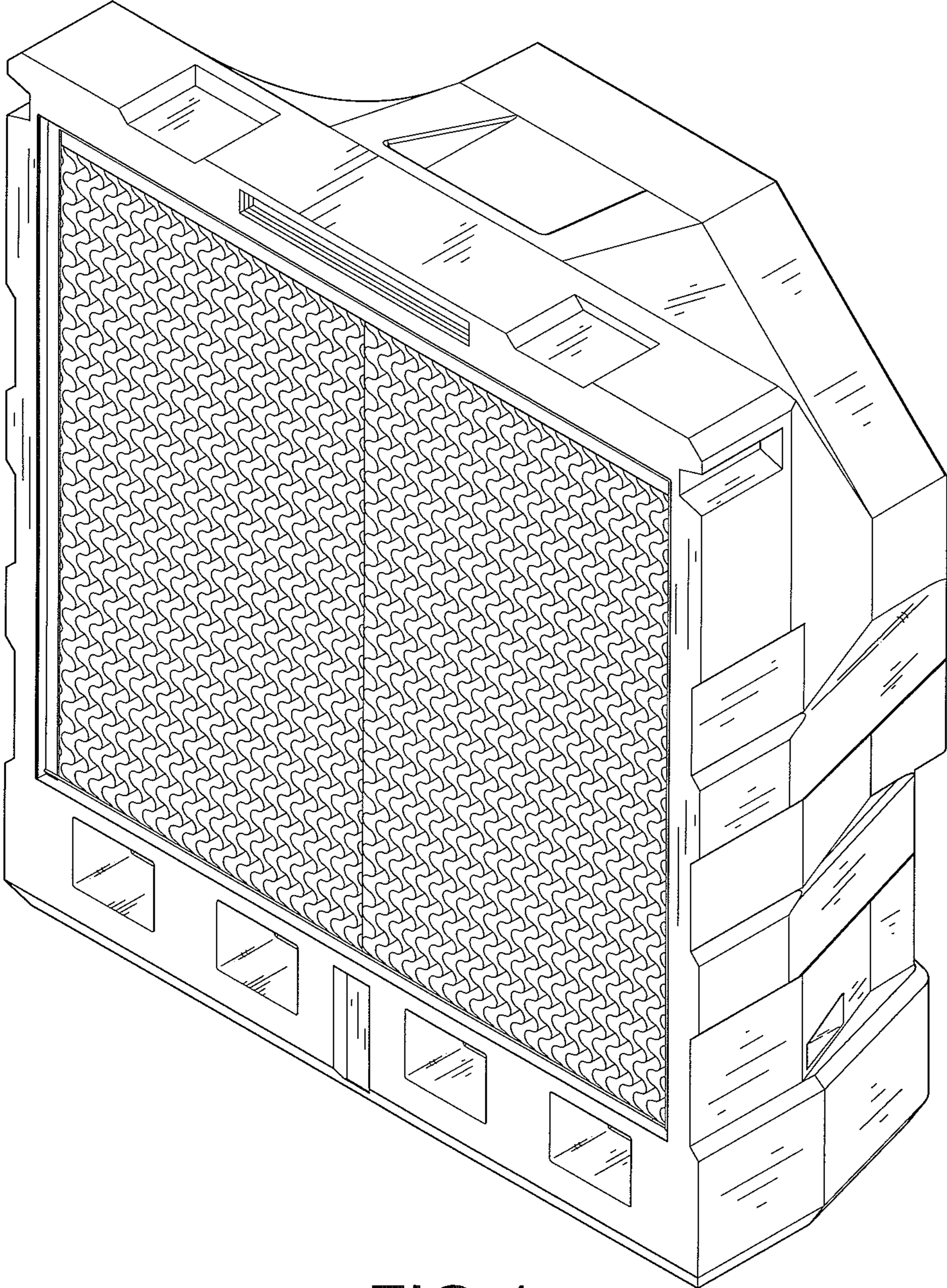


FIG. 1

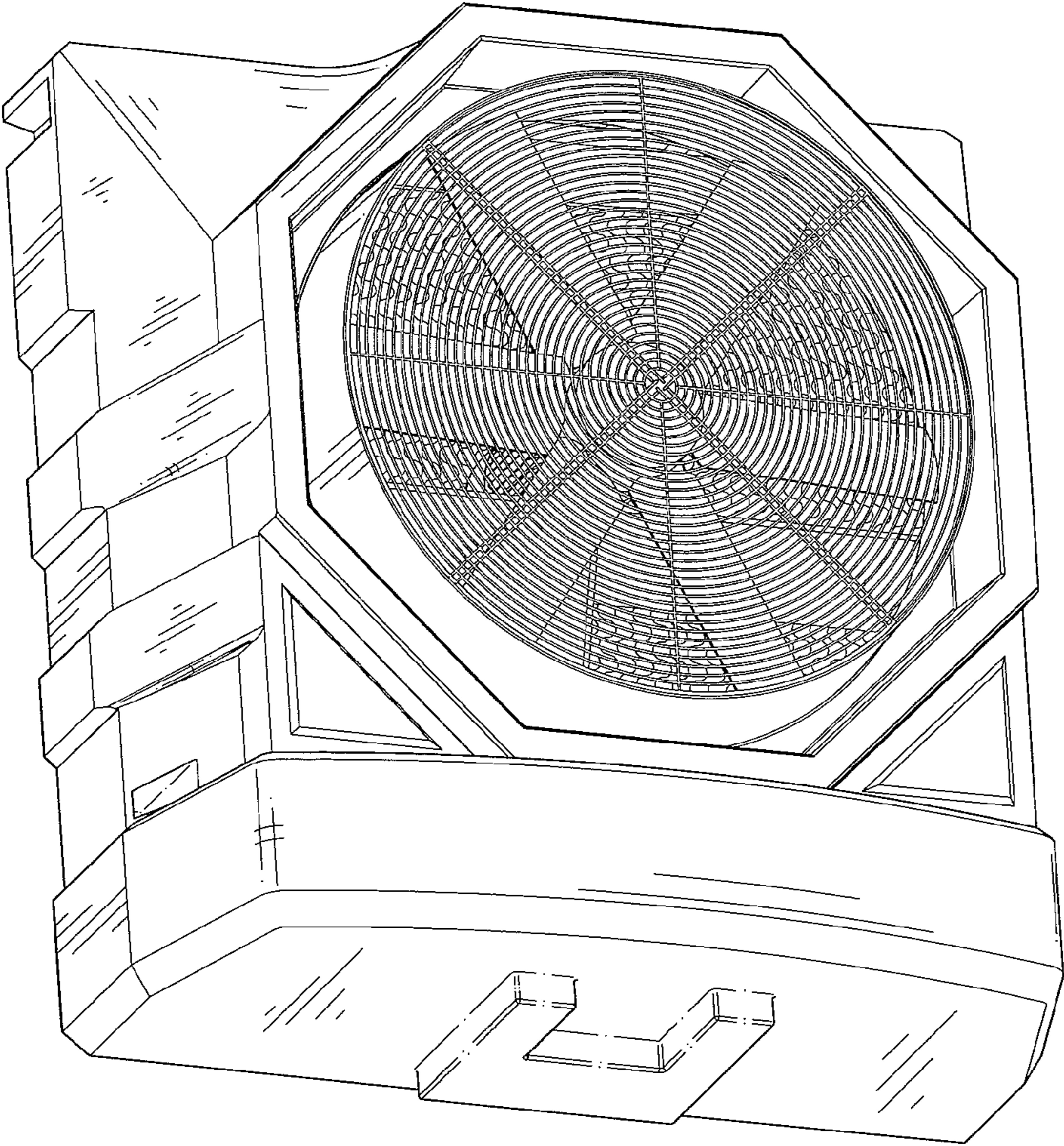


FIG.2

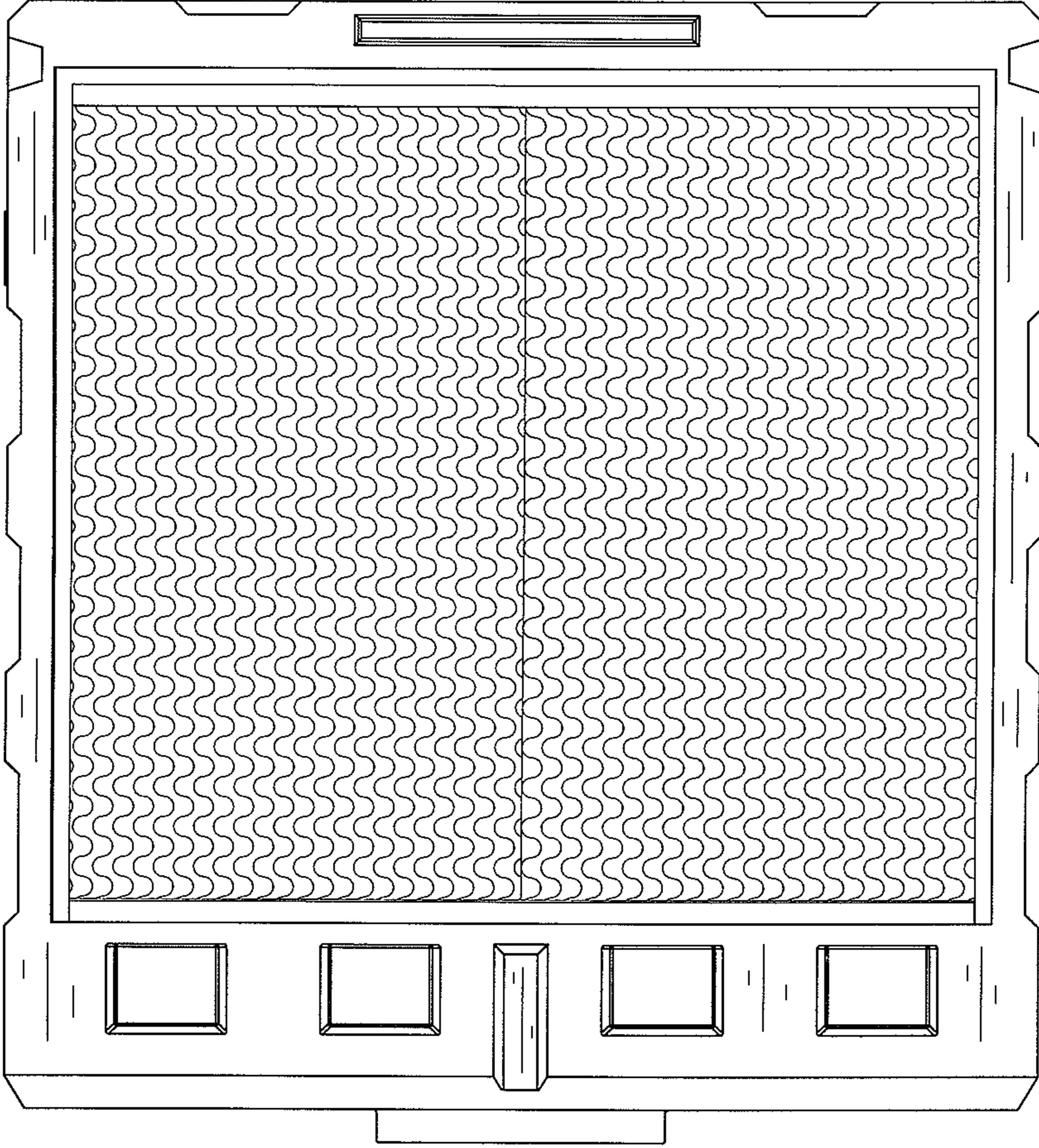


FIG.3

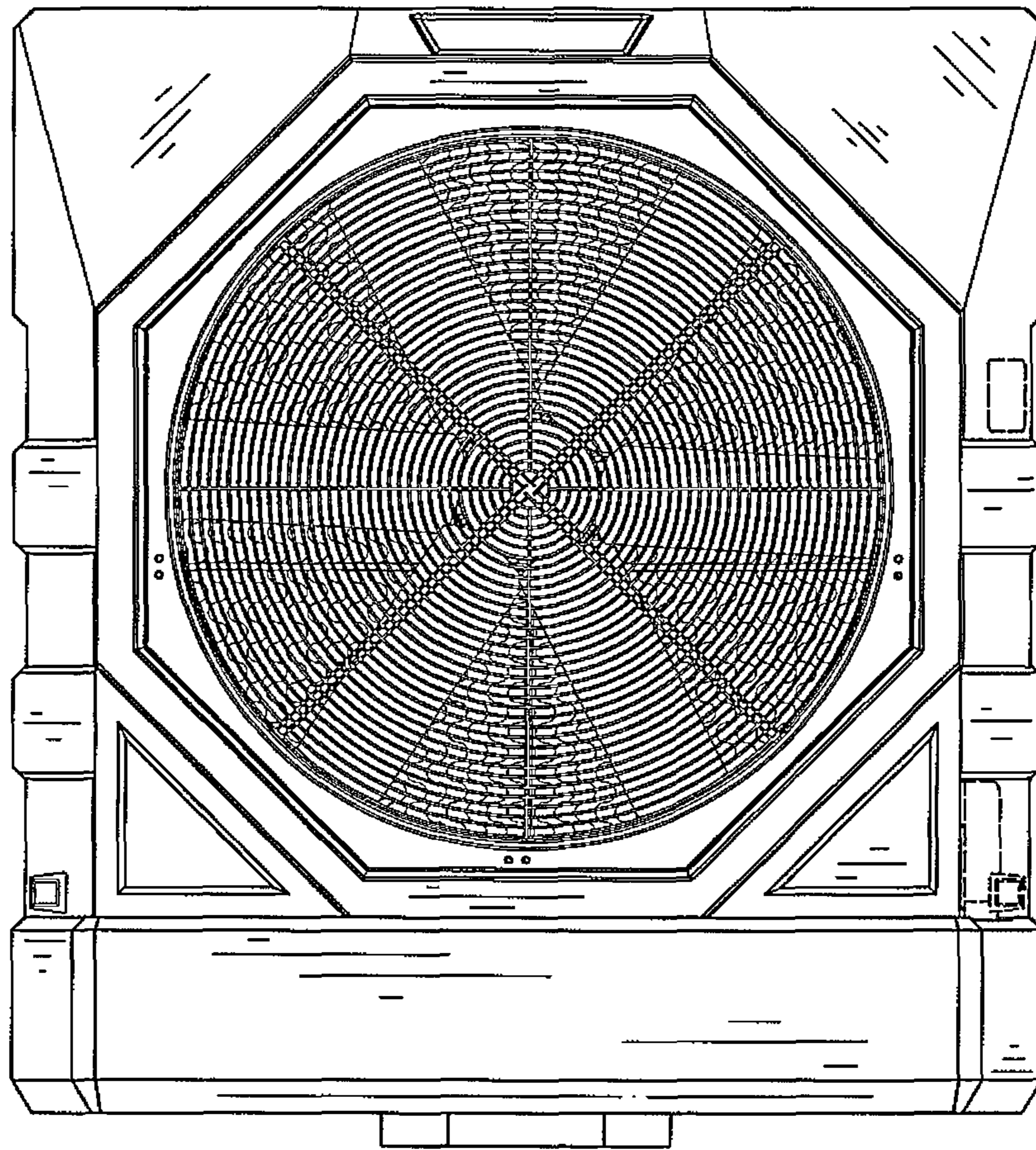


FIG.4

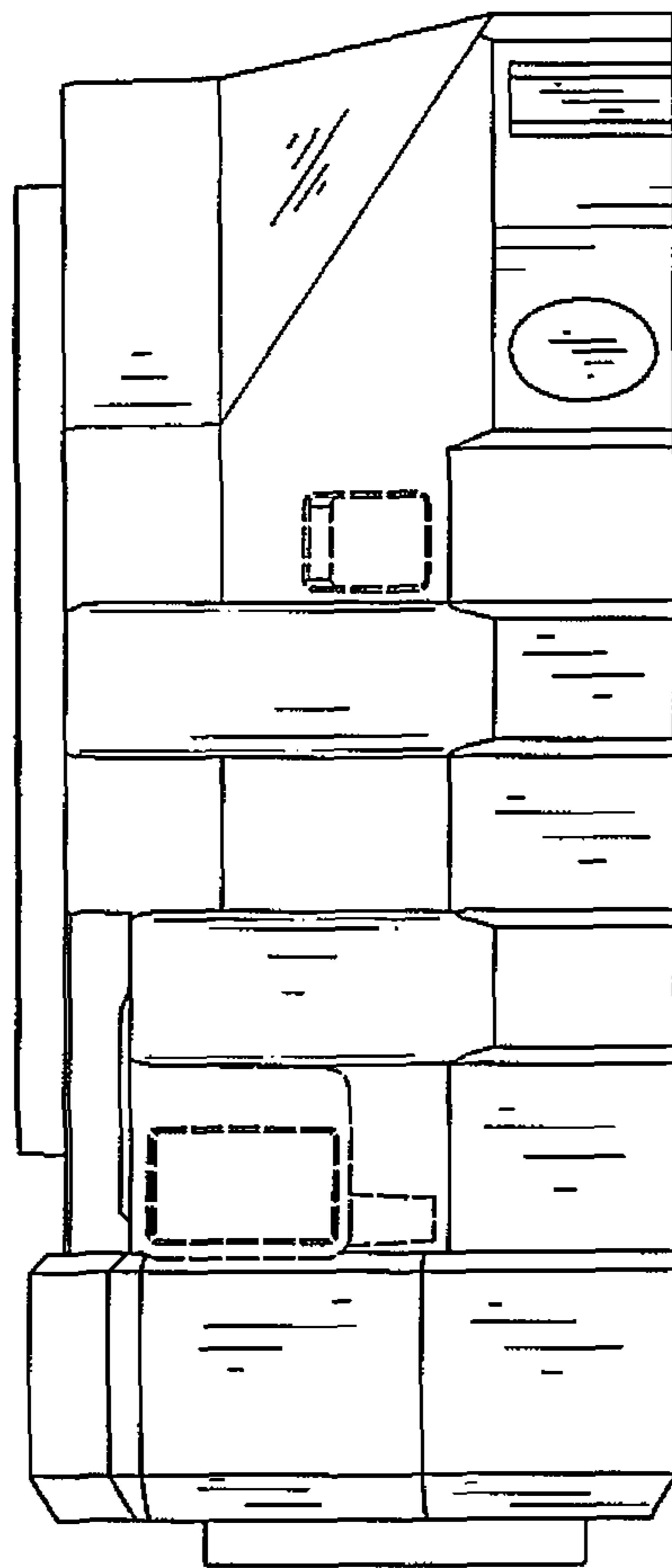


FIG.5

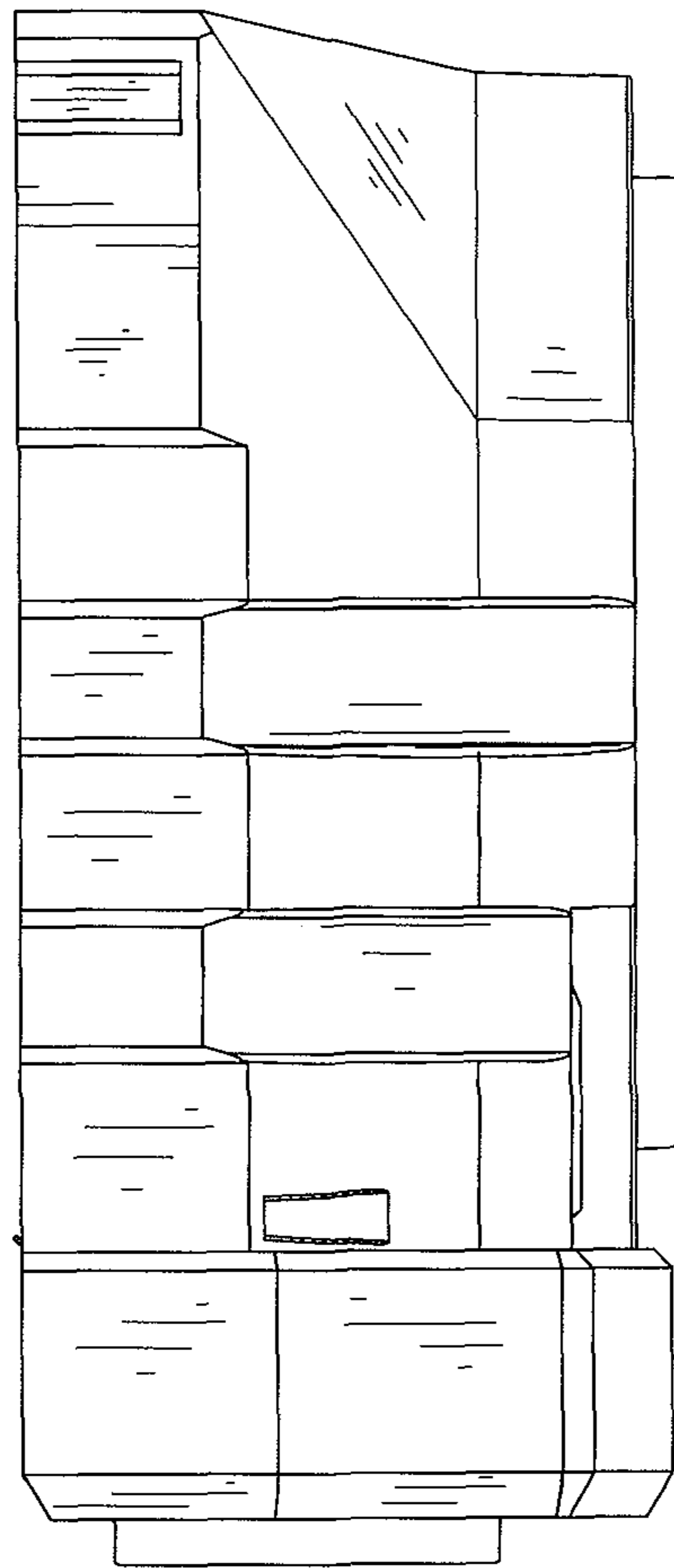


FIG.6

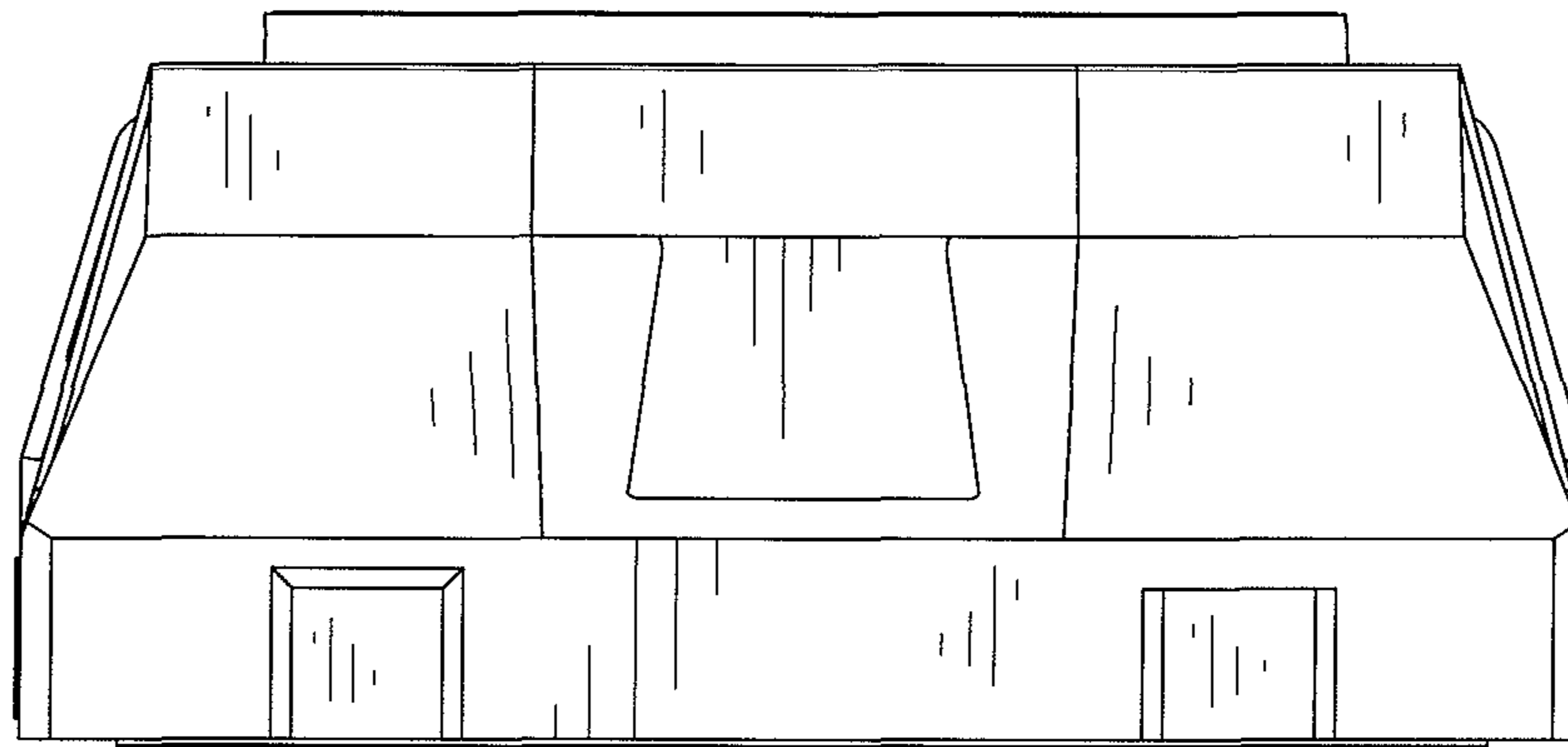


FIG.7

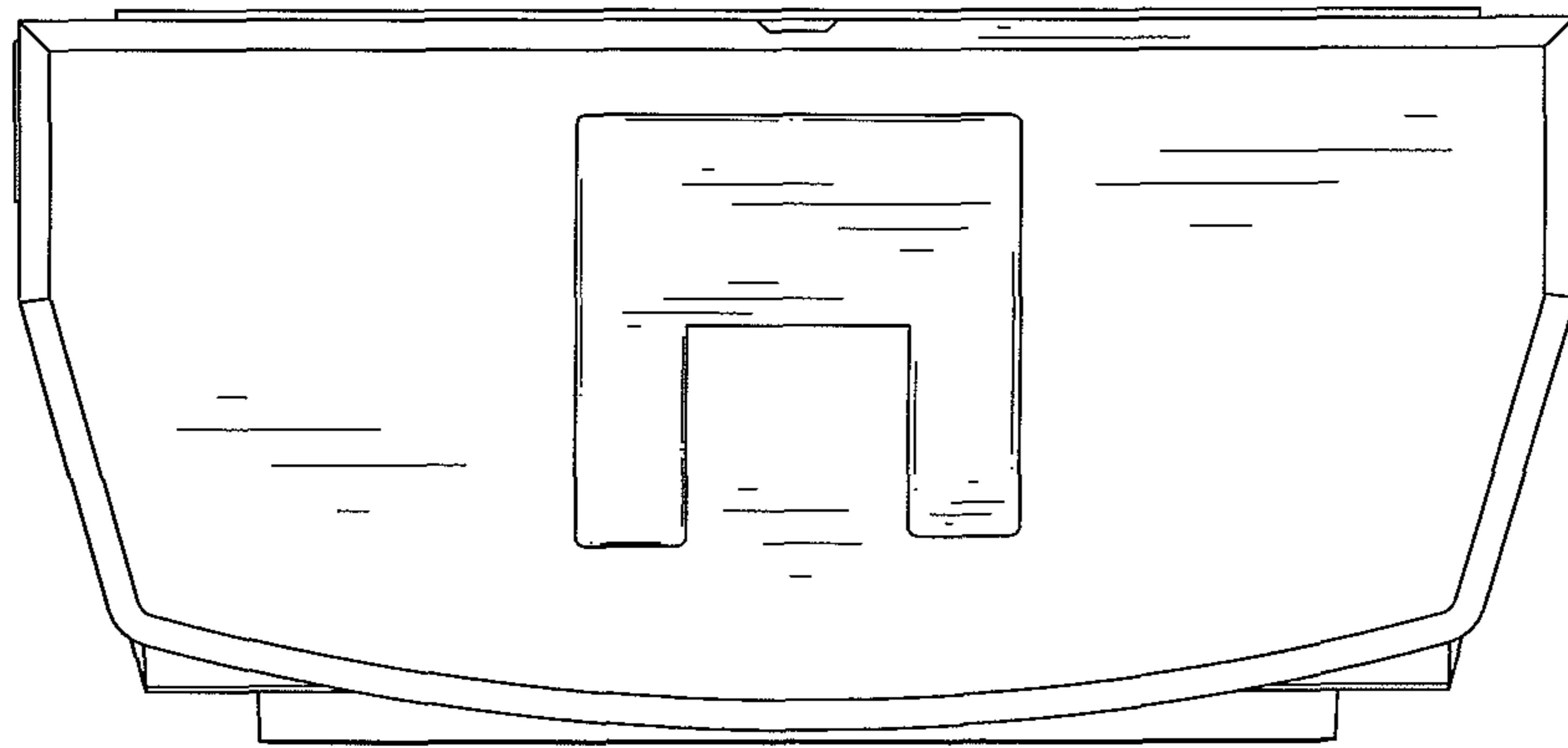


FIG.8

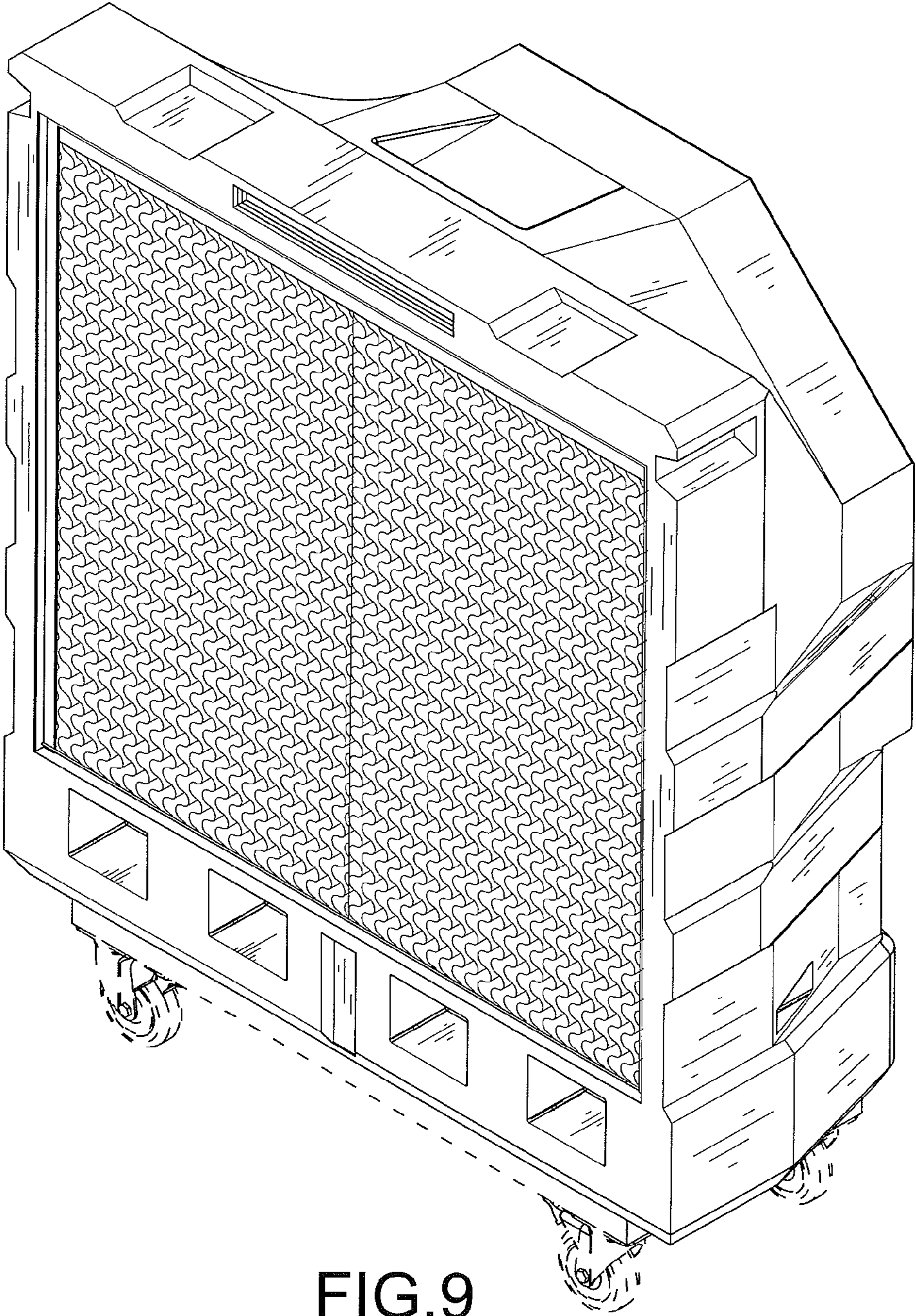


FIG.9