



US00D726889S

(12) **United States Design Patent**
Marquez Velez

(10) **Patent No.:** **US D726,889 S**

(45) **Date of Patent:** **** Apr. 14, 2015**

(54) **KITCHEN COUNTER**

(71) Applicant: **Socoda S.A.S.**, Medellin Antioquia (CO)

(72) Inventor: **Martin Alonso Marquez Velez**,
Medellin (CO)

(73) Assignee: **Socoda S.A.S.**, Medellin, Antioquia
(CO)

(**) Term: **14 Years**

(21) Appl. No.: **29/476,786**

(22) Filed: **Dec. 17, 2013**

(30) **Foreign Application Priority Data**

Sep. 10, 2013 (CO) 13-214600-00000-0

(51) **LOC (10) Cl.** **23-02**

(52) **U.S. Cl.**
USPC **D23/272**

(58) **Field of Classification Search**
USPC D23/271-272, 284, 287, 293.1, 303,
D23/308; 4/619, 630, 631, 638, 661;
D7/346, 363

See application file for complete search history.

(56) **References Cited**

U.S. PATENT DOCUMENTS

D154,578 S *	7/1949	Asaro	D23/272
D207,077 S *	2/1967	Tecton	D23/272
D293,813 S *	1/1988	Fischer et al.	D23/271
D313,272 S *	12/1990	Bulthaupt	D23/272
D393,774 S *	4/1998	Ashcraft et al.	D7/346
D428,477 S *	7/2000	O'Connell et al.	D23/290
D646,365 S *	10/2011	Parekh	D23/290
D646,519 S *	10/2011	Kim et al.	D7/346
D704,497 S *	5/2014	Nordwall	D7/346
D710,142 S *	8/2014	Knoll	D7/346

* cited by examiner

Primary Examiner — Robert Delehanty

(74) *Attorney, Agent, or Firm* — Hector M. Reyes Rivera

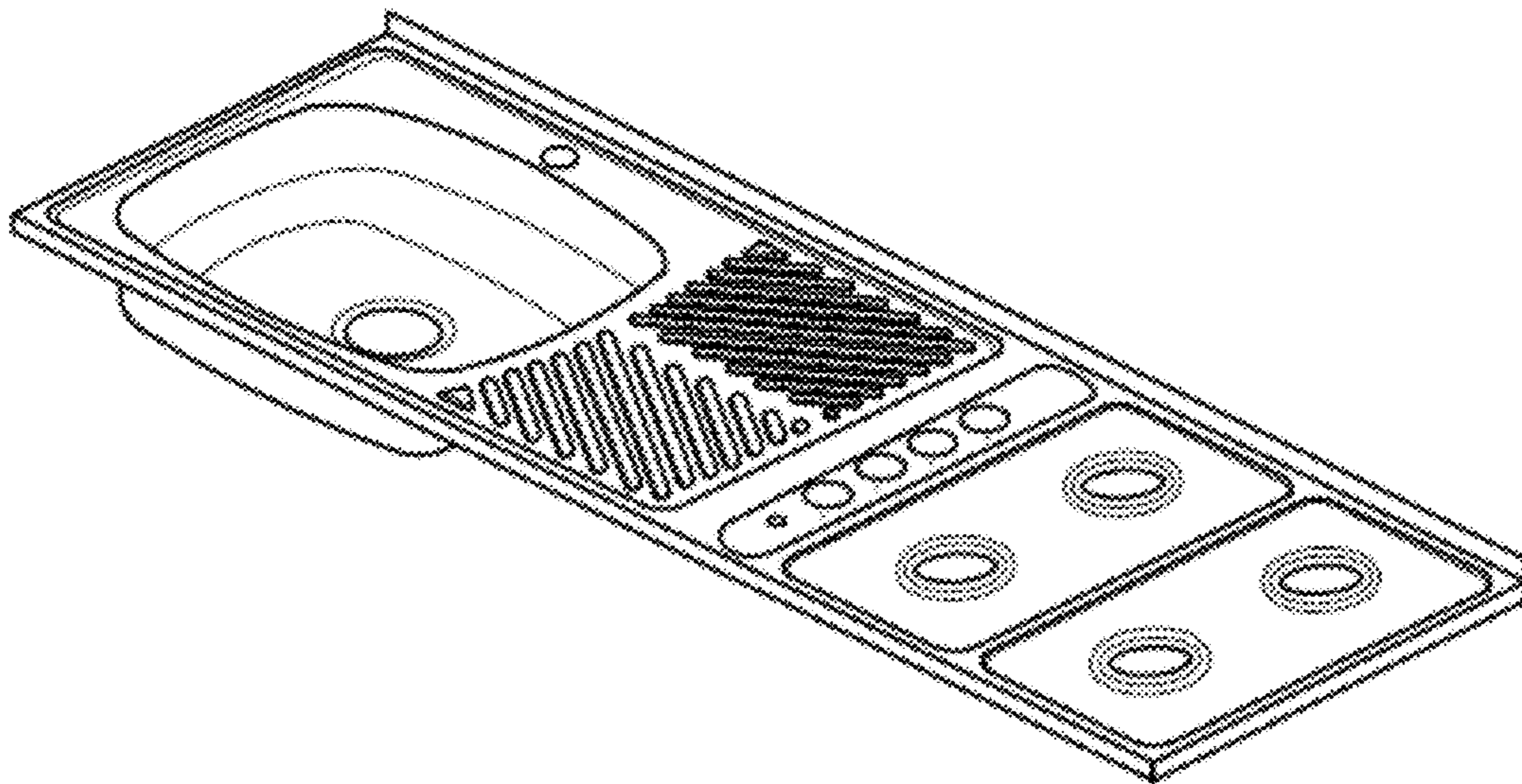
(57) **CLAIM**

The ornamental design for a kitchen counter, as shown and described.

DESCRIPTION

FIG. 1 is a perspective view of the kitchen counter according to my new ornamental design;
FIG. 2 is a top view thereof;
FIG. 3 is a bottom view thereof;
FIG. 4 is a right side view thereof
FIG. 5 is a left side view thereof
FIG. 6 is a front view thereof; and,
FIG. 7 is a rear view thereof.

1 Claim, 4 Drawing Sheets



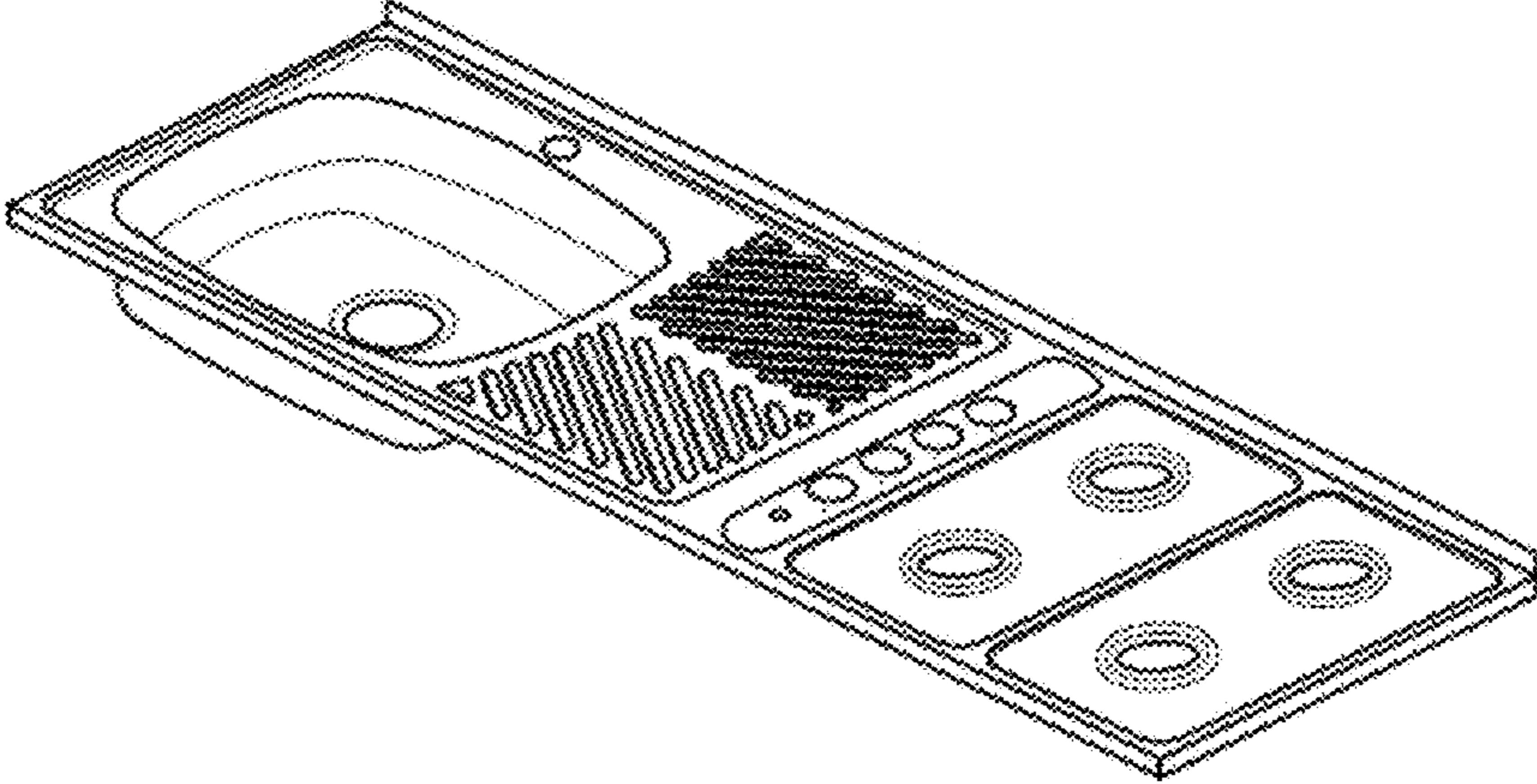


FIG. 1

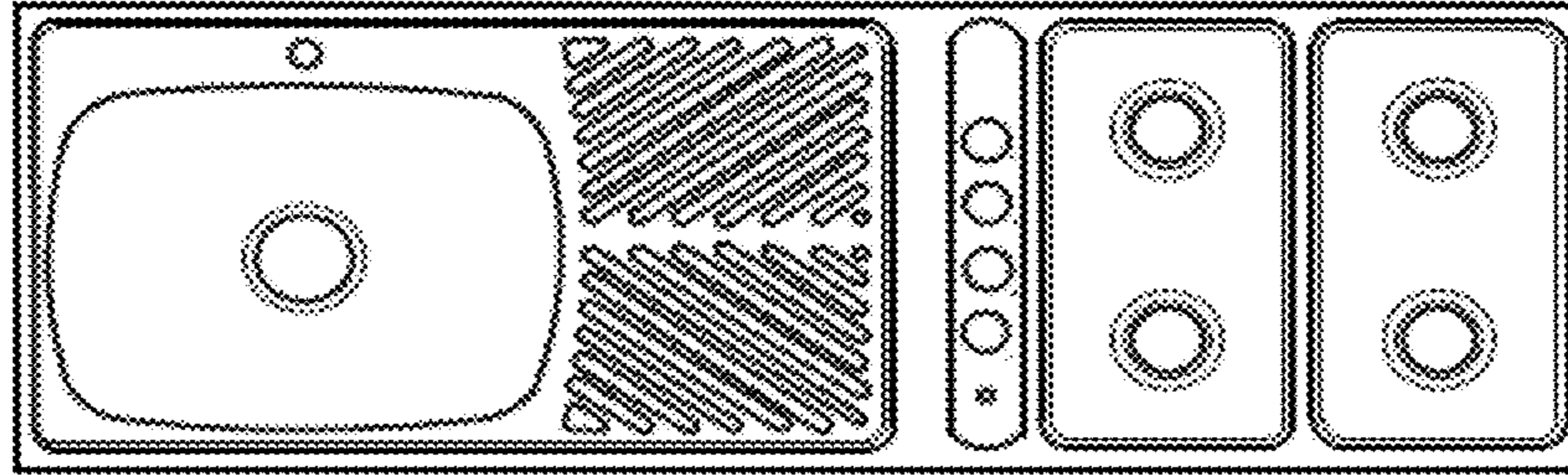


FIG. 2

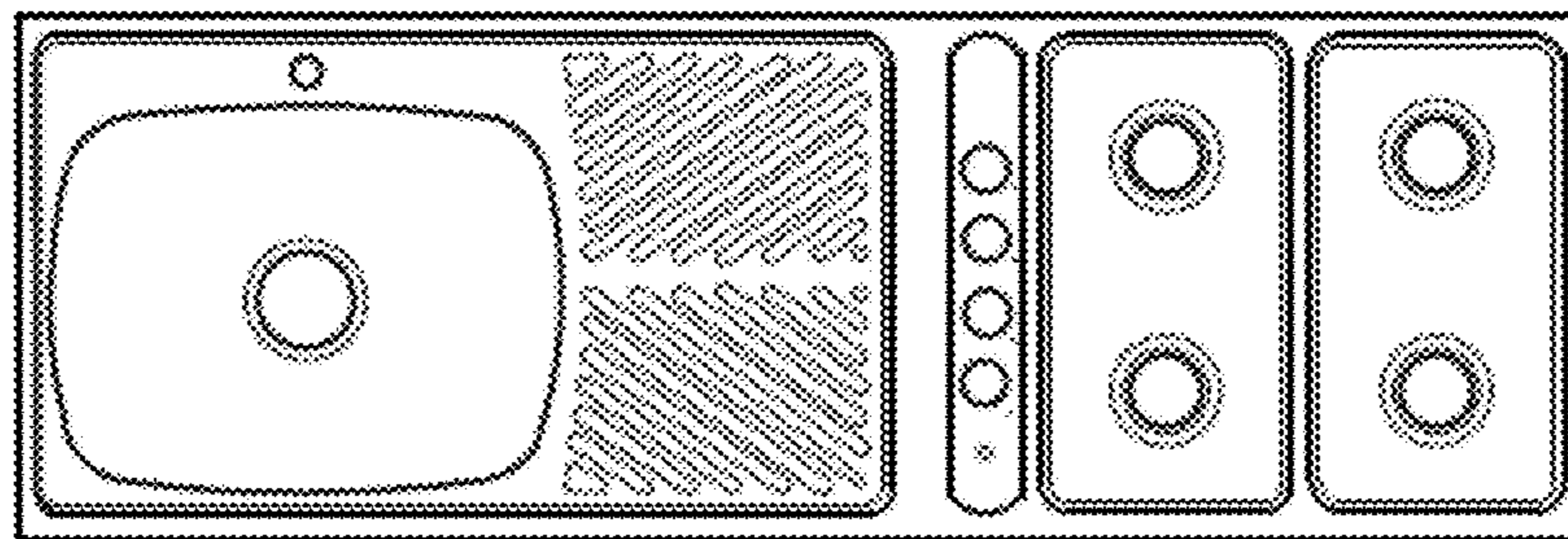


FIG. 3

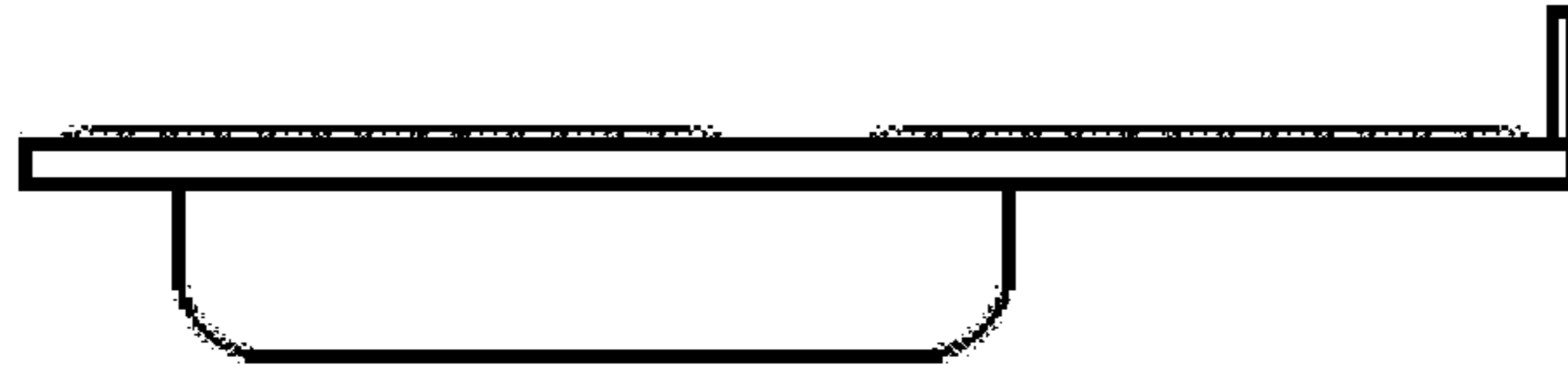


FIG. 4



FIG. 5

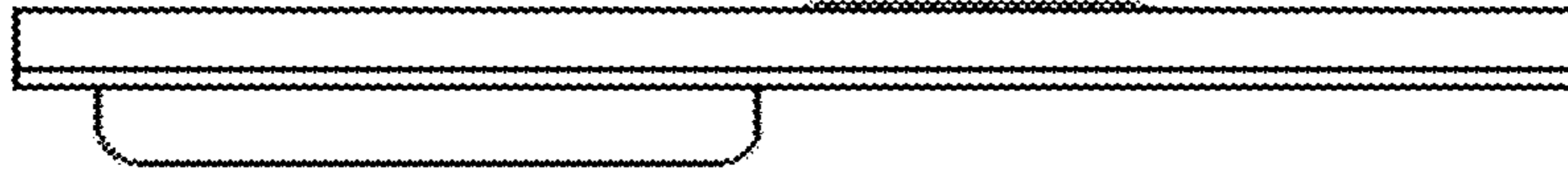


FIG. 6

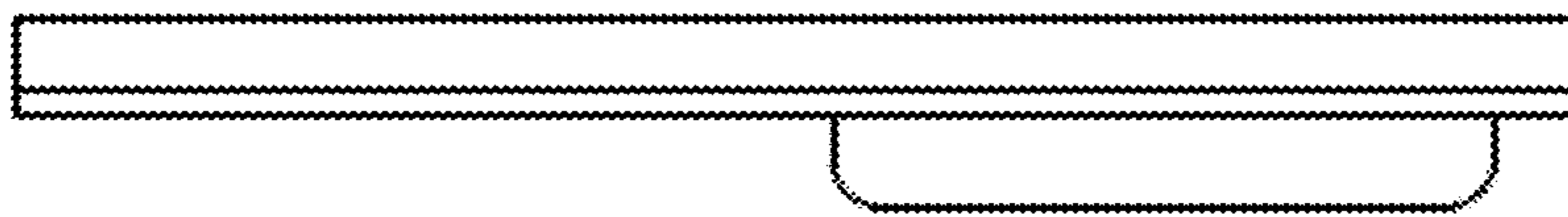


FIG. 7