



US00D726888S

(12) **United States Design Patent**
Johansen

(10) **Patent No.:** **US D726,888 S**

(45) **Date of Patent:** **** Apr. 14, 2015**

(54) **DRAIN TRAP**

(71) Applicant: **Blucher Metal A/S, Vildbjerg (DK)**

(72) Inventor: **Per Thanning Johansen, Silkeborg (DK)**

(73) Assignee: **Blucher Metal A/S, Vildbjerg (DK)**

(**) Term: **14 Years**

(21) Appl. No.: **29/466,799**

(22) Filed: **Sep. 11, 2013**

(30) **Foreign Application Priority Data**

Mar. 11, 2013 (EM) 002199984

(51) **LOC (10) Cl.** **23-01**

(52) **U.S. Cl.**
USPC **D23/268; D23/267**

(58) **Field of Classification Search**
USPC D23/261, 266, 267, 268; 52/11, 12, 16,
52/58; 210/162; 248/48.1, 48.2
See application file for complete search history.

(56) **References Cited**

U.S. PATENT DOCUMENTS

D82,957 S *	12/1930	Rachlin et al.	D23/267
D109,144 S *	4/1938	Kuehn et al.	D23/267
D215,157 S *	9/1969	Edmondson et al.	D23/267
3,542,435 A *	11/1970	Herrmann	299/36.1
D255,886 S *	7/1980	Flynn	D11/156
4,646,487 A *	3/1987	Andersson	52/11
D292,934 S *	11/1987	Alberico	D23/259
4,954,015 A *	9/1990	McGowan	405/121
4,956,948 A *	9/1990	Hart	52/16

5,327,689 A *	7/1994	Jansen	52/11
D353,189 S *	12/1994	Crowley	D23/267
5,438,803 A *	8/1995	Blizard, Jr.	52/12
5,706,608 A *	1/1998	Sweet	52/11
D410,997 S *	6/1999	Christianson	D23/267
D674,889 S *	1/2013	Mims	D23/386
D689,824 S *	9/2013	Ng et al.	D13/155
2004/0118052 A1 *	6/2004	Brochu	52/12
2008/0190039 A1 *	8/2008	Brochu	52/12
2009/0183438 A1 *	7/2009	Walker	52/11
2009/0229191 A1 *	9/2009	Petrov	52/16
2011/0126934 A1 *	6/2011	Thuesen	138/106
2014/0077491 A1 *	3/2014	Jung et al.	285/197

OTHER PUBLICATIONS

U.S. Appl. No. 29/466,795, filed Sep. 11, 2013, Johansen.
U.S. Appl. No. 29/466,798, filed Sep. 11, 2013, Johansen.

* cited by examiner

Primary Examiner — Eric Goodman
Assistant Examiner — Daniel J Domino
(74) *Attorney, Agent, or Firm* — Sheridan Ross P.C.

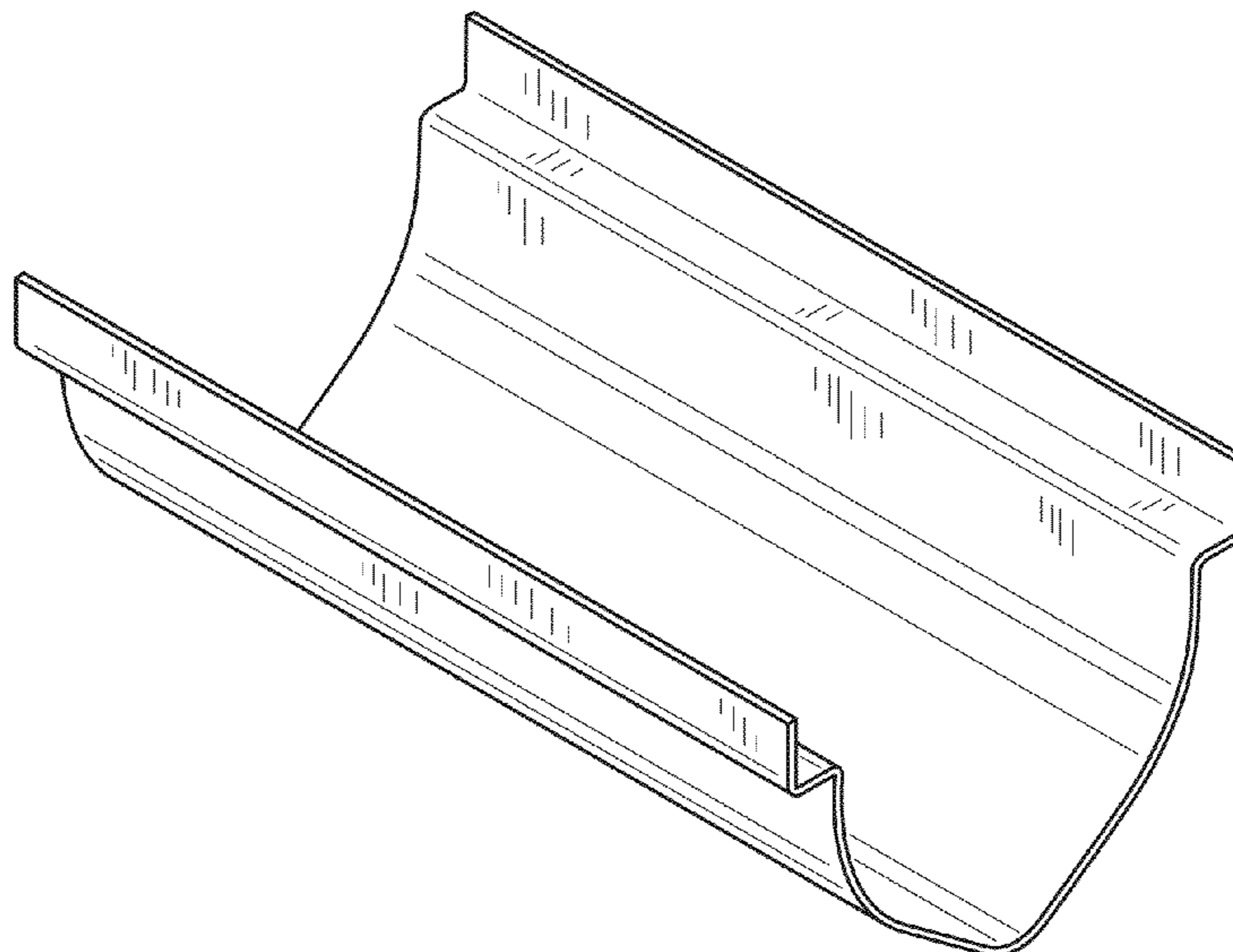
(57) **CLAIM**

The ornamental design for a drain trap, as shown and described.

DESCRIPTION

FIG. 1 is a perspective view of a drain trap;
FIG. 2 is a right side view thereof;
FIG. 3 is a left side view thereof;
FIG. 4 is a front elevation view thereof;
FIG. 5 is a rear elevation view thereof;
FIG. 6 is a top plan view thereof; and,
FIG. 7 is a bottom plan view thereof.

1 Claim, 4 Drawing Sheets



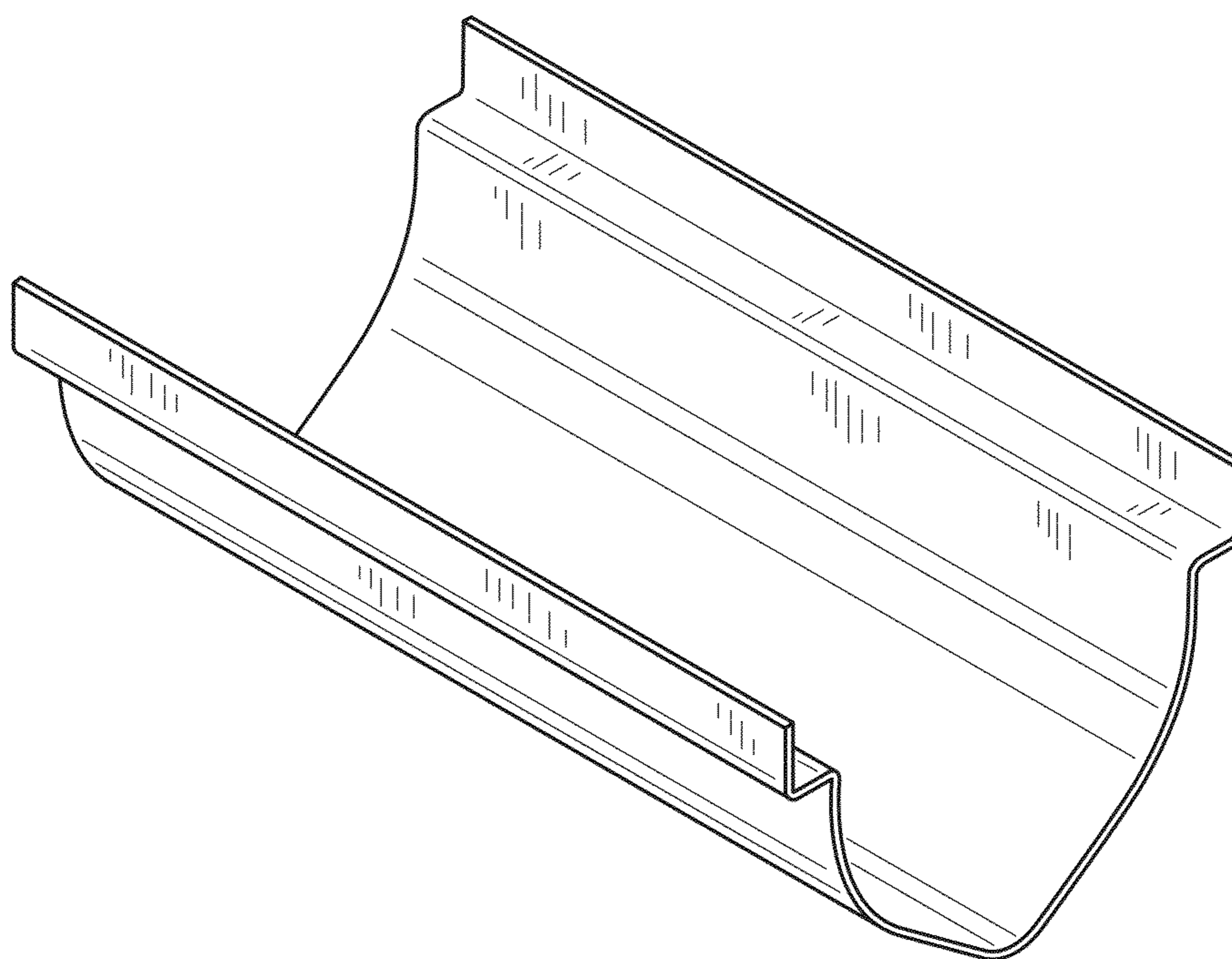


FIG.1

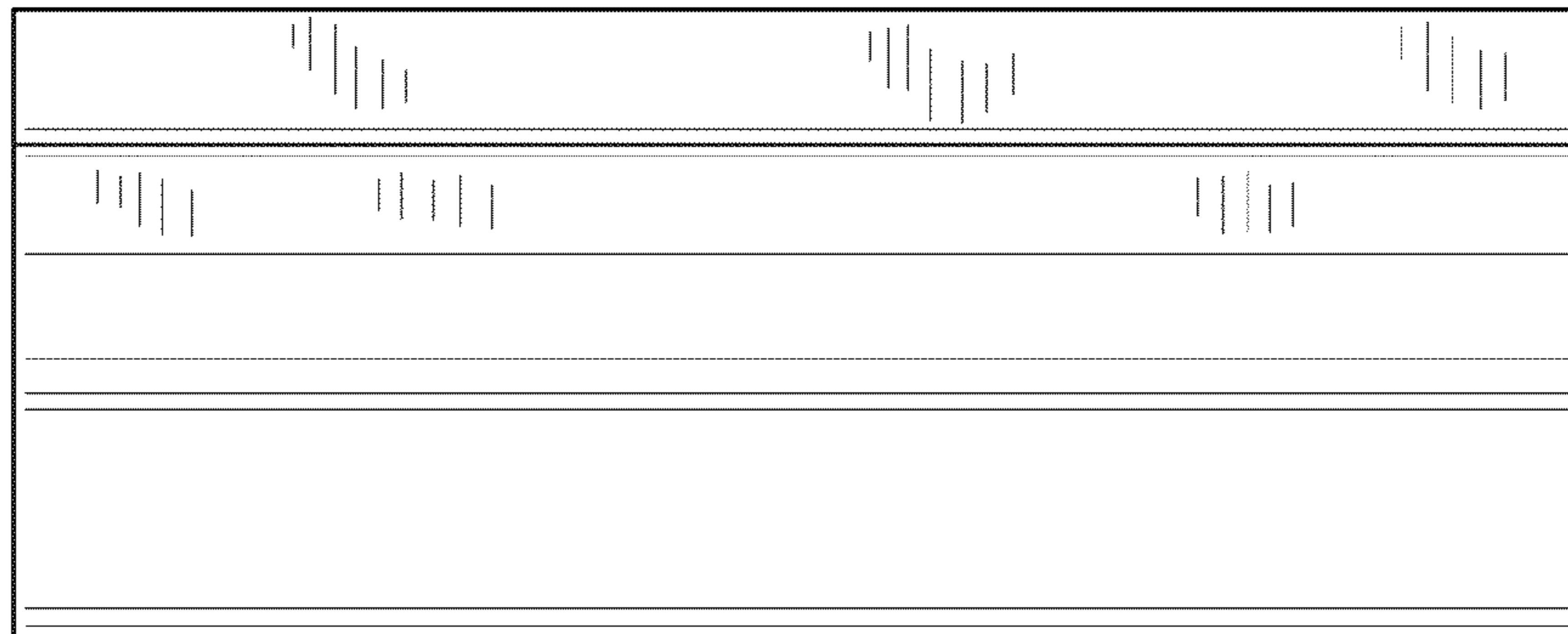


FIG. 2

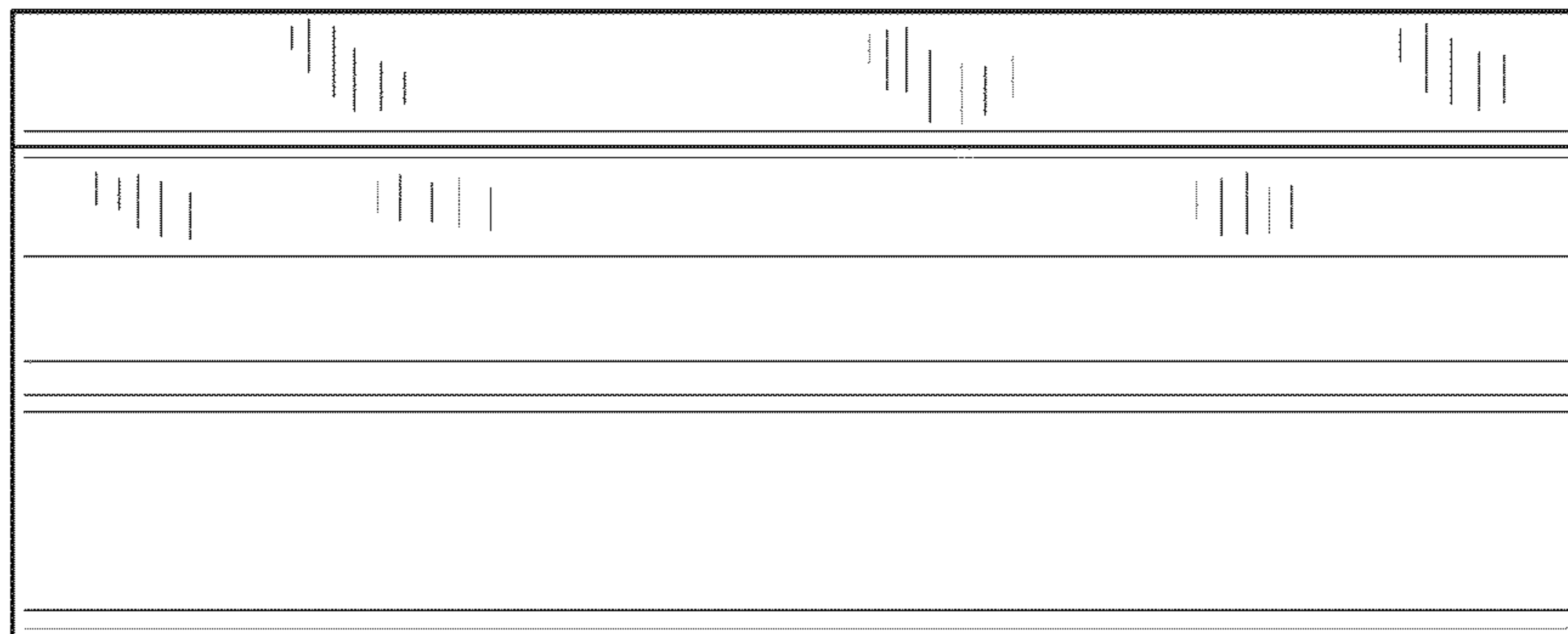


FIG. 3

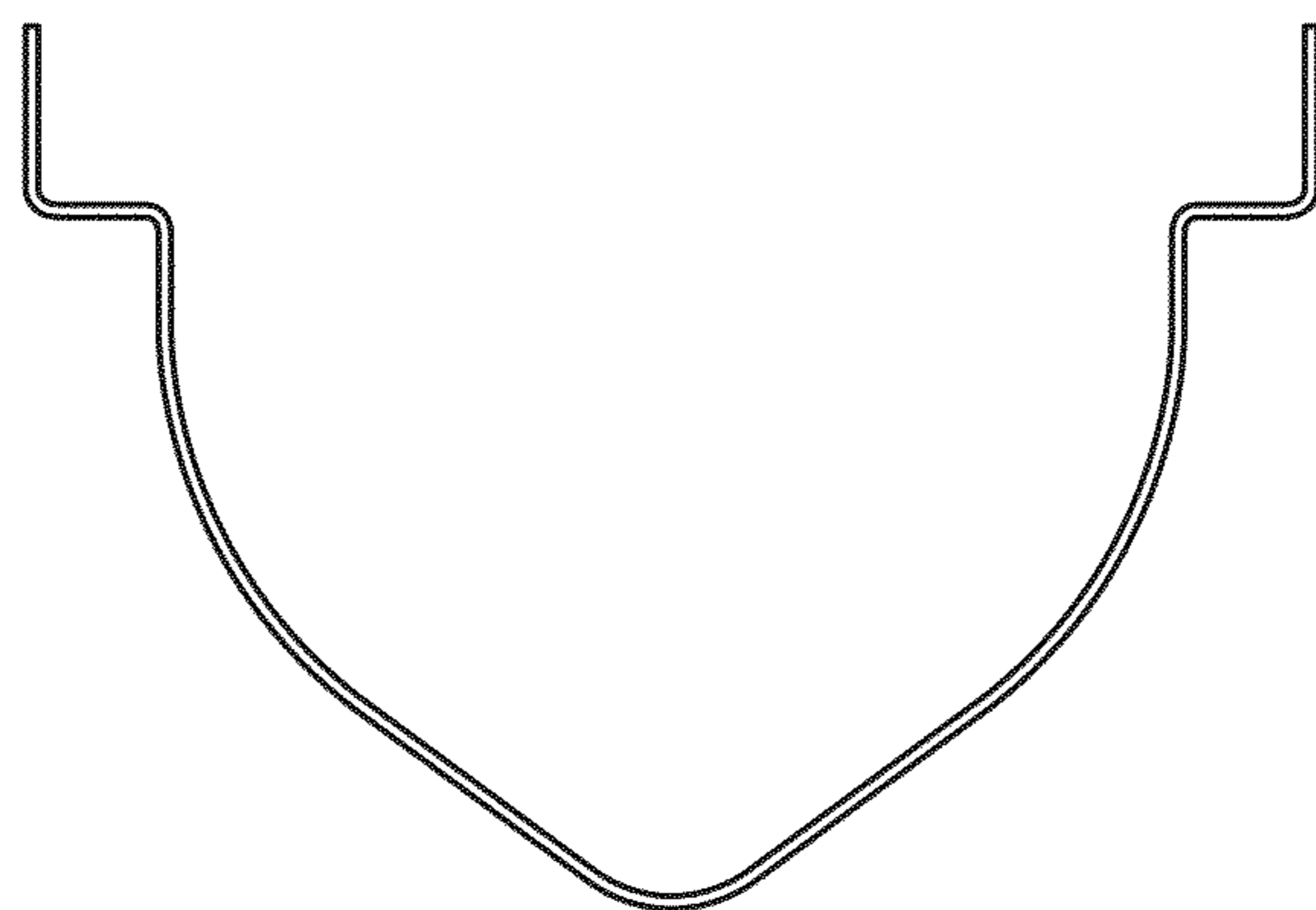


FIG. 4

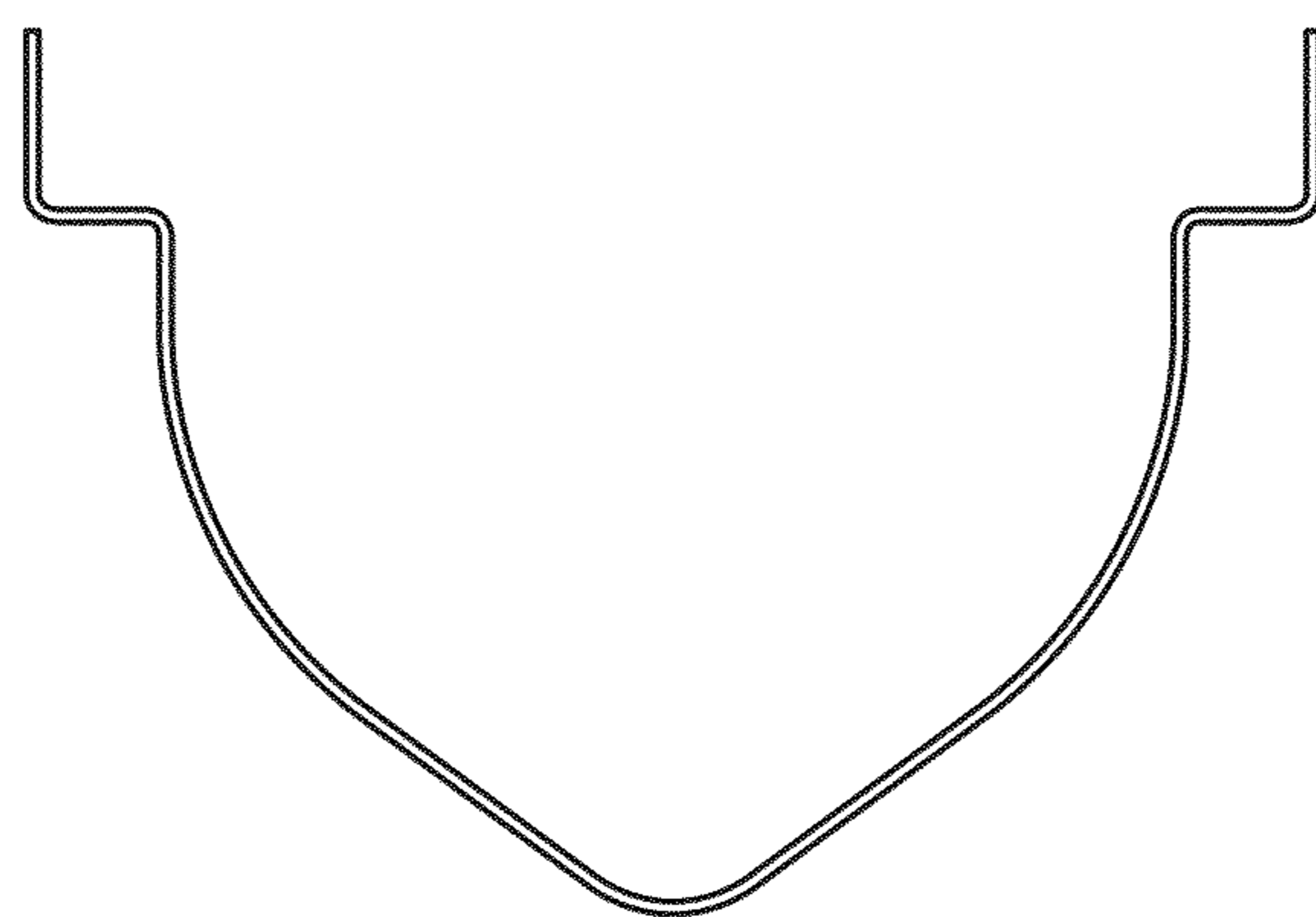


FIG. 5

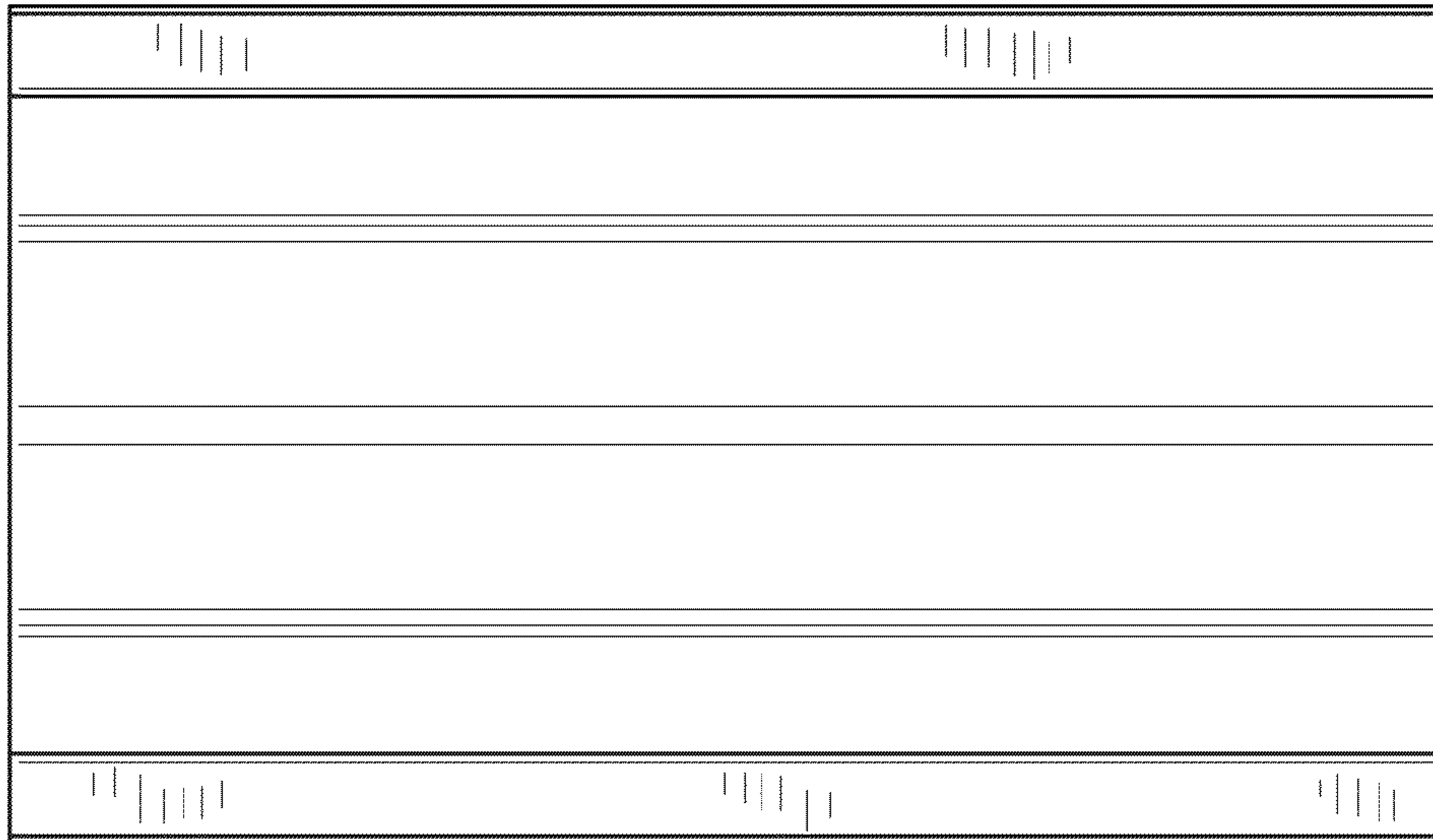


FIG.6

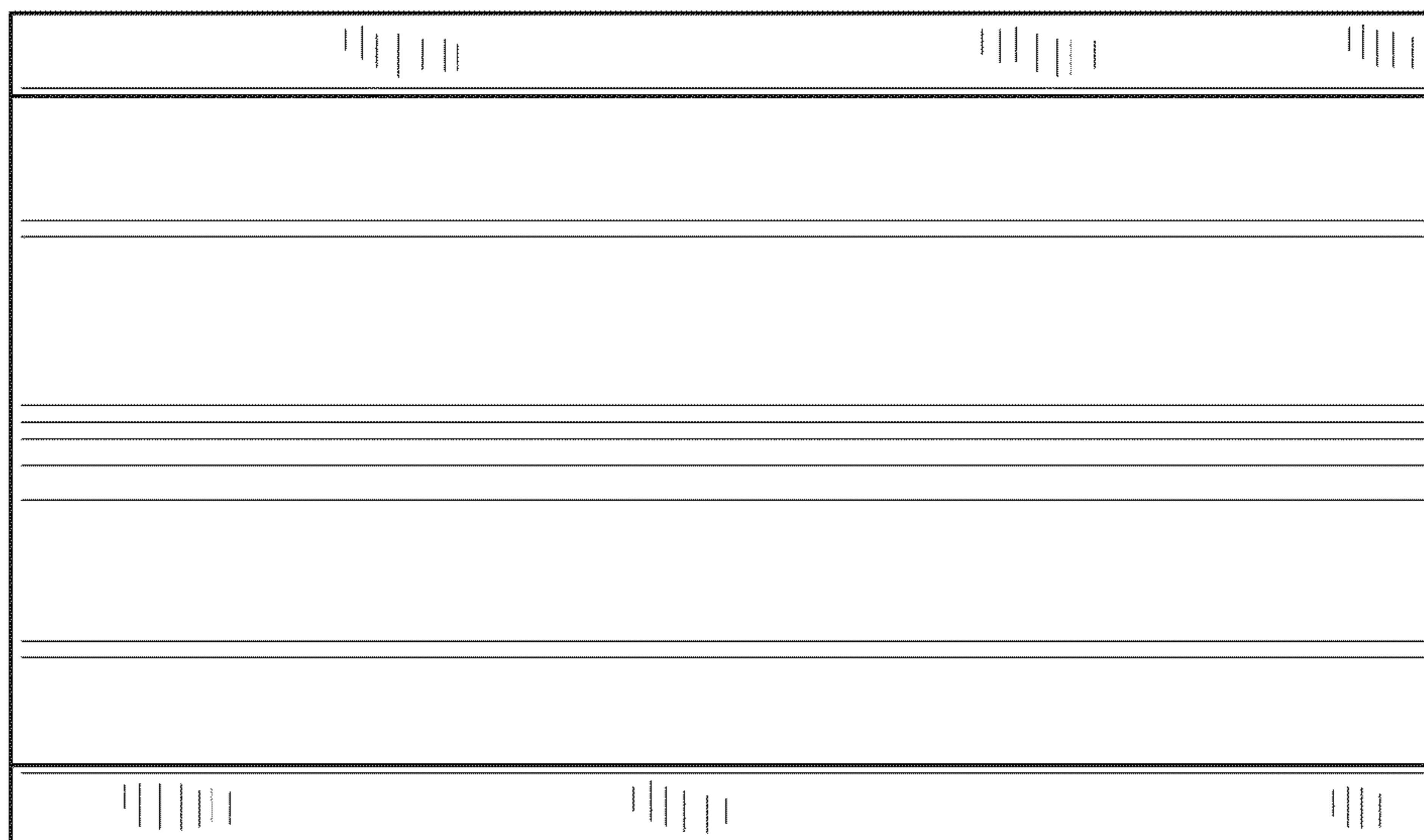


FIG.7