



US00D726887S

(12) **United States Design Patent**
Quartarone et al.

(10) **Patent No.:** **US D726,887 S**
(45) **Date of Patent:** **** Apr. 14, 2015**

(54) **DRAINAGE GRATE**

(71) Applicant: **The Coca-Cola Company**, Atlanta, GA (US)

(72) Inventors: **Daniel S. Quartarone**, Atlanta, GA (US); **Scott M. Harrison**, Atlanta, GA (US); **Jae Ho Cha**, Atlanta, GA (US); **Kris Tomasson**, Atlanta, GA (US); **David Harvey**, Suwanee, GA (US); **Simon Alan Daniel**, London (GB); **Christopher Michael Weston**, London (GB)

(73) Assignee: **The Coca Cola Company**, Atlanta, GA (US)

(**) Term: **14 Years**

(21) Appl. No.: **29/489,818**

(22) Filed: **May 2, 2014**

(51) **LOC (10) Cl.** **23-01**

(52) **U.S. Cl.**
USPC **D23/261**

(58) **Field of Classification Search**
USPC D23/259, 260, 261, 262, 263, 264, 265, D23/365; D25/149, 150, 151, 152, 153, D25/154, 155, 156, 157, 158, 159; D7/332; 210/162, 163, 164, 165, 166; 404/2, 3, 404/4; 4/286, 287

See application file for complete search history.

(56) **References Cited**

U.S. PATENT DOCUMENTS

D5,144 S *	7/1871	Talbot	D7/408
2,598,763 A *	6/1952	De Roo	454/310
3,301,172 A *	1/1967	Longo	99/446
D371,719 S *	7/1996	Perry	D7/388
D391,359 S *	2/1998	Teng et al.	D23/412
D428,120 S *	7/2000	Zaldivar	D23/261
D431,411 S *	10/2000	Chang	D7/362

D442,020 S *	5/2001	Pierick	D7/359
D623,014 S *	9/2010	Alden et al.	D7/409
D650,225 S *	12/2011	Bartol et al.	D7/409
D650,227 S *	12/2011	Walker	D7/409
D684,808 S *	6/2013	Mehler	D7/359
D700,476 S *	3/2014	Greer	D7/409
D706,571 S *	6/2014	Rivera et al.	D7/359
D707,078 S *	6/2014	Rivera et al.	D7/359
2008/0044537 A1 *	2/2008	Manuel	426/523
2014/0158593 A1 *	6/2014	Chien	210/166

OTHER PUBLICATIONS

Coca-Cola Freestyle New Innovative Fountain Dispensers, Press Center, coca-colacompany.com, Searched Sep. 8, 2014, <http://www.coca-colacompany.com/press-center/image-library/coca-cola-freestyle-new-innovative-fountain-dispensers-2>.*

* cited by examiner

Primary Examiner — Eric Goodman

Assistant Examiner — Steven Cxyz

(74) *Attorney, Agent, or Firm* — McAndrews Held & Malloy, Ltd.

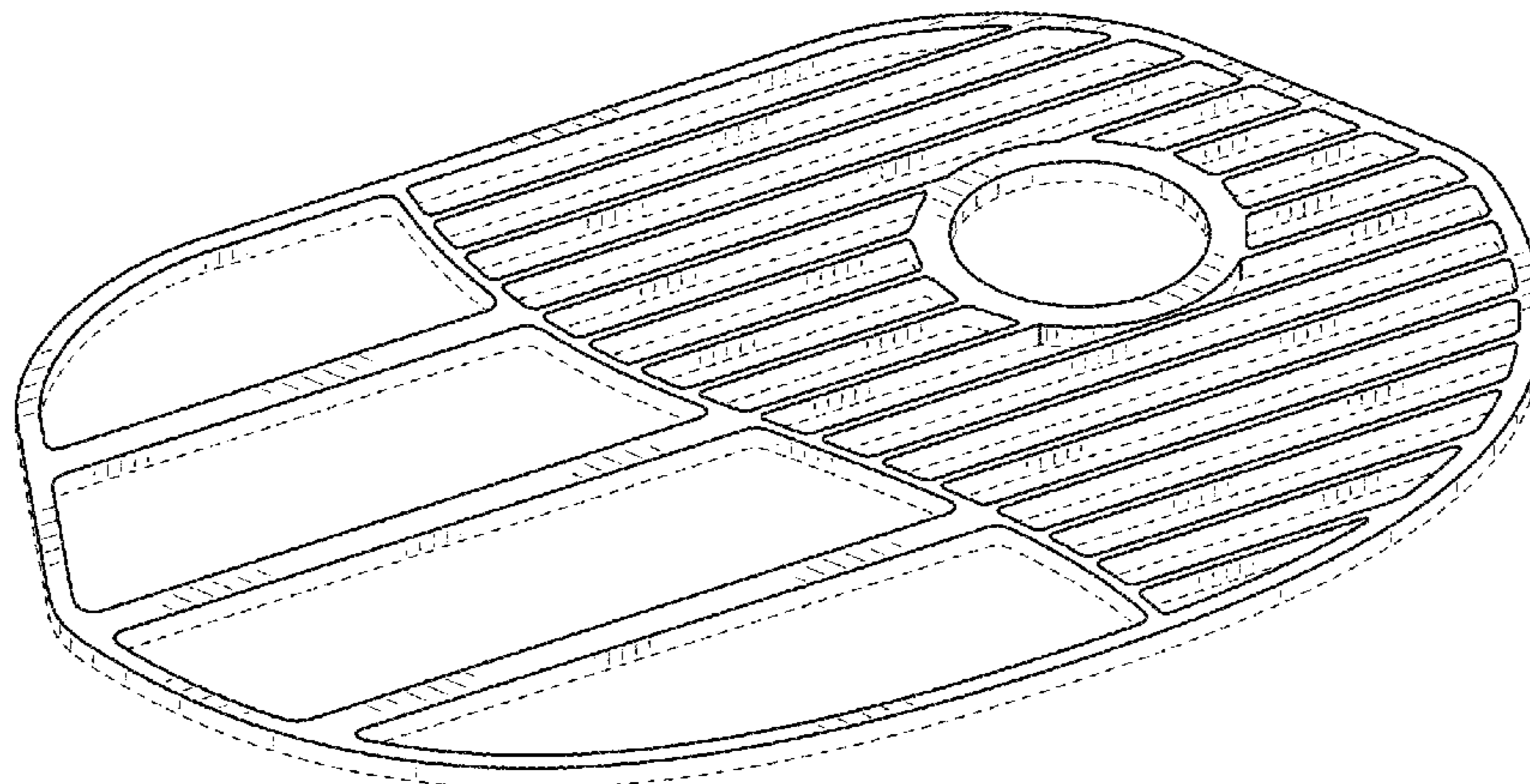
(57) **CLAIM**

The ornamental design for a drainage grate, as shown and described.

DESCRIPTION

FIG. 1 is a left perspective view of a drainage grate showing our new design;
FIG. 2 is a right perspective view thereof;
FIG. 3 is a top plan view thereof;
FIG. 4 is a bottom plan view thereof;
FIG. 5 is a right-side elevation view thereof;
FIG. 6 is a left-side elevation view thereof;
FIG. 7 is a front elevation view thereof; and,
FIG. 8 is a rear elevation view thereof.
The broken line showing is included for the purpose of illustrating portions of the article and forms no part of the claimed design.

1 Claim, 3 Drawing Sheets



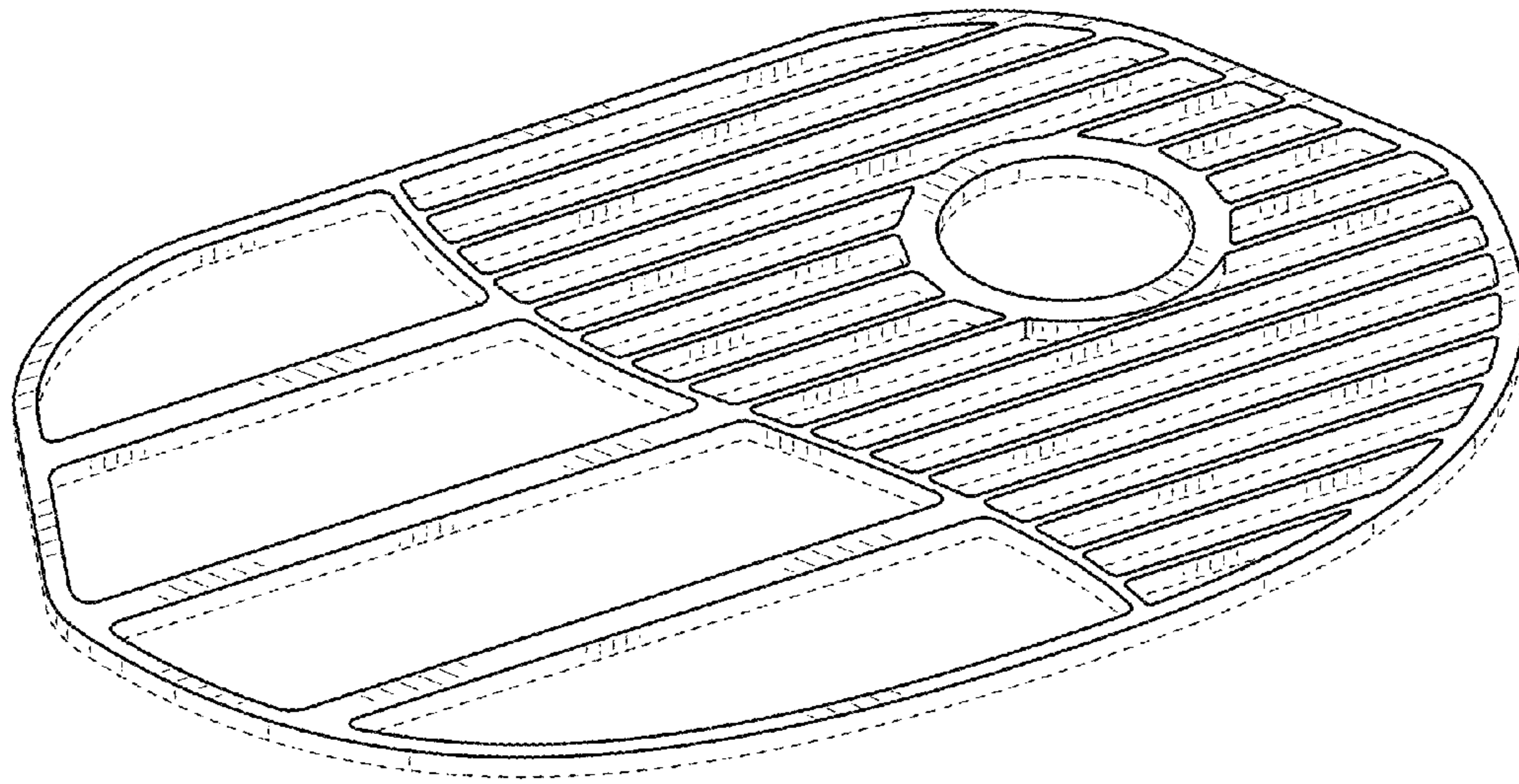


FIG. 1

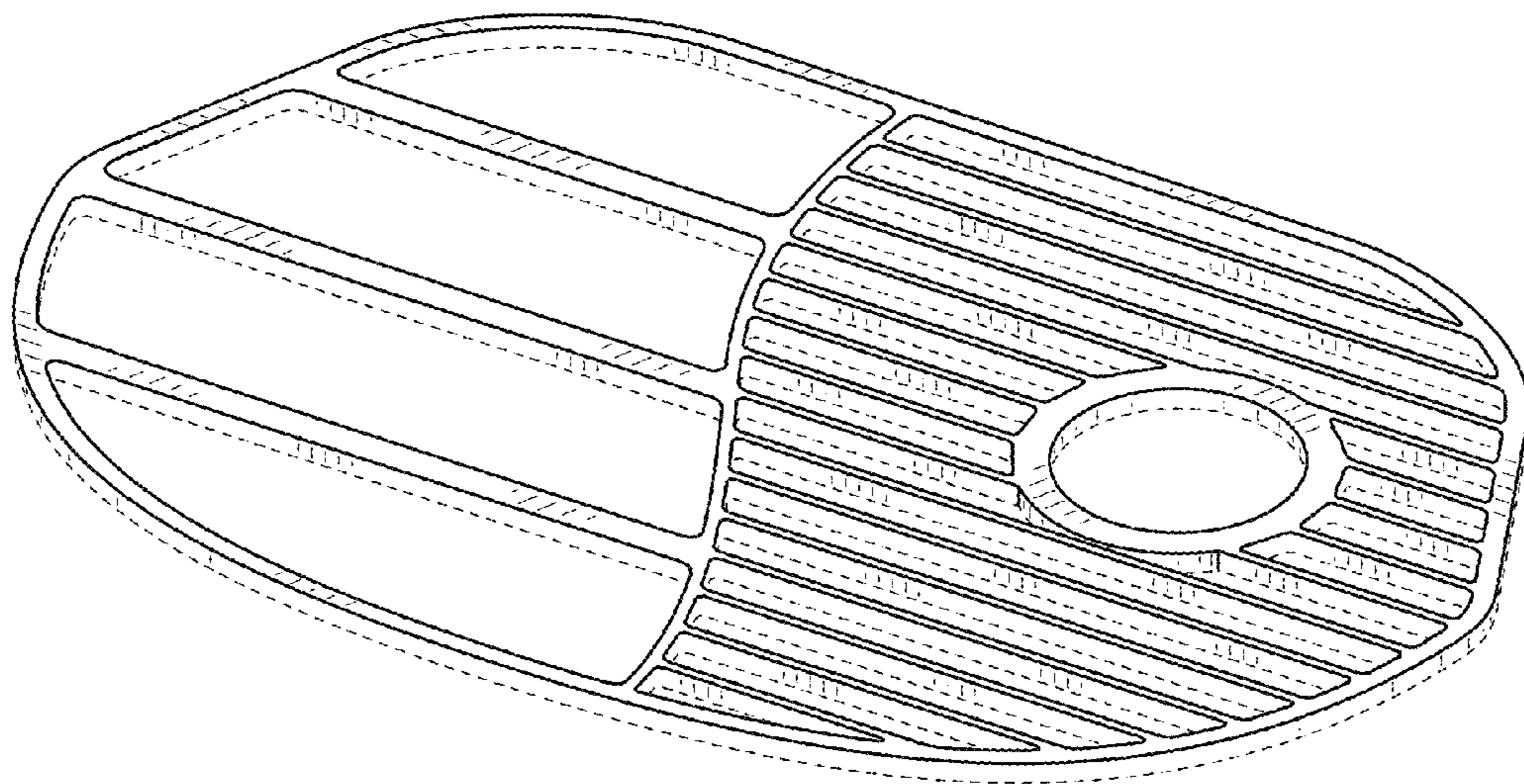


FIG. 2

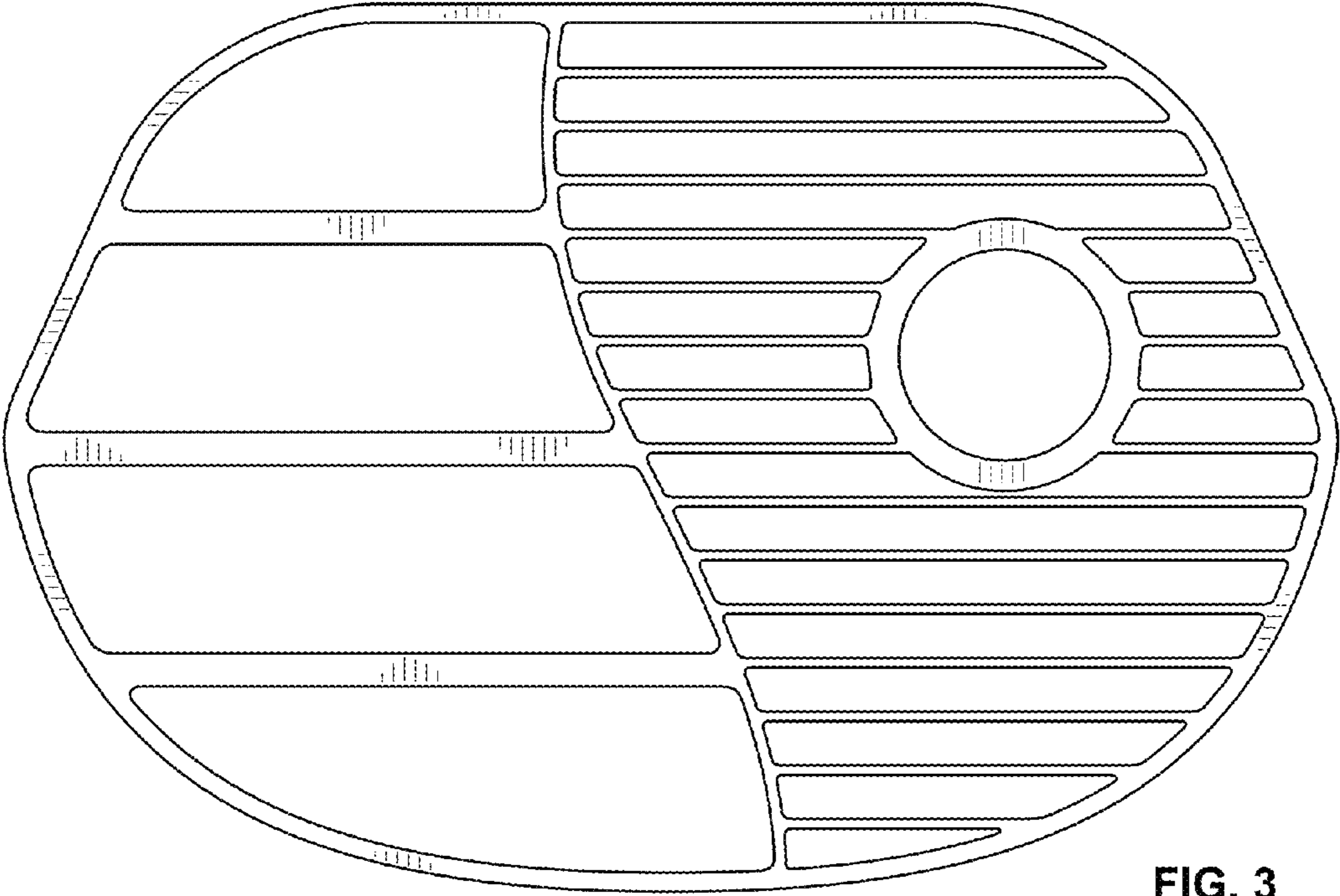


FIG. 3

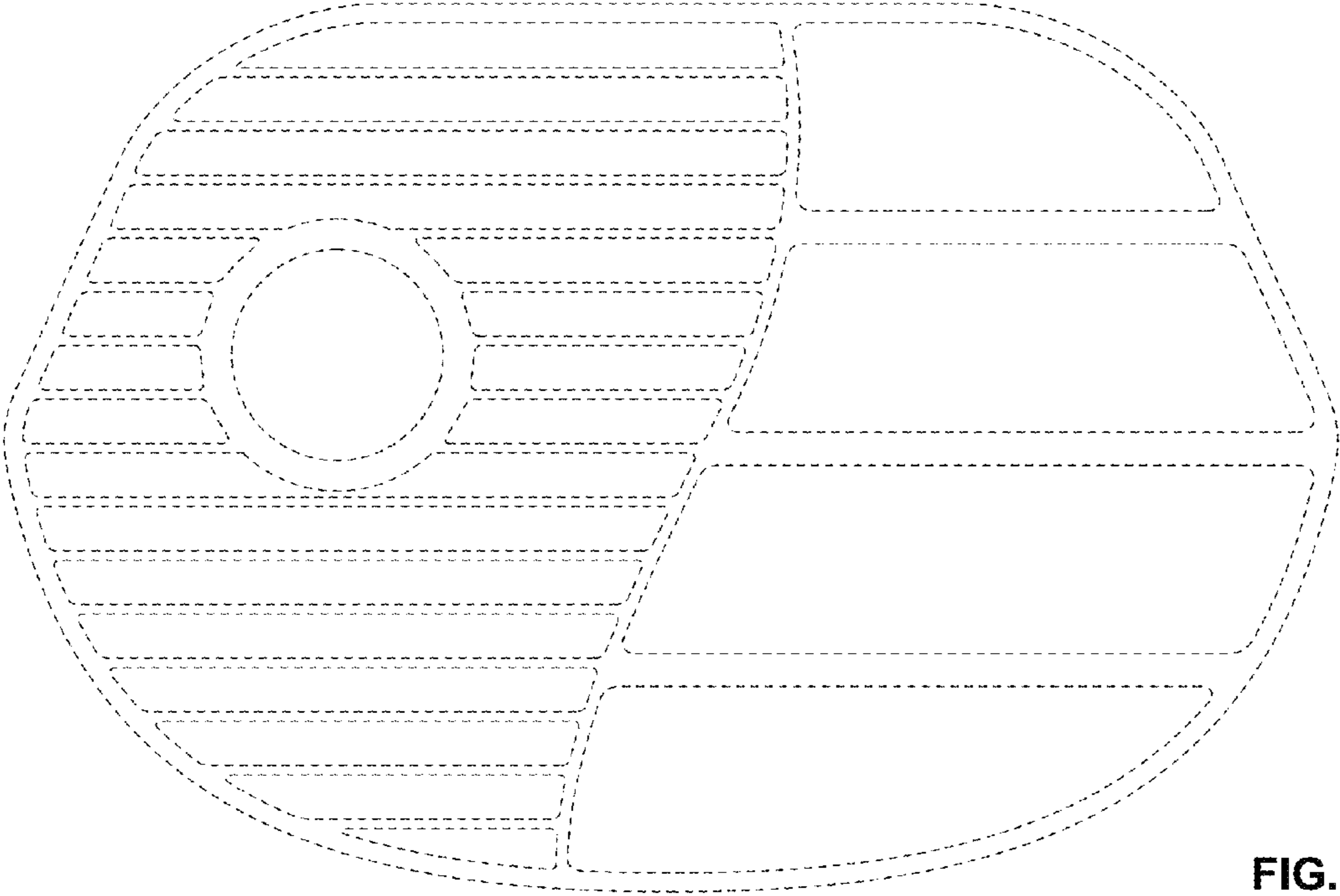


FIG. 4

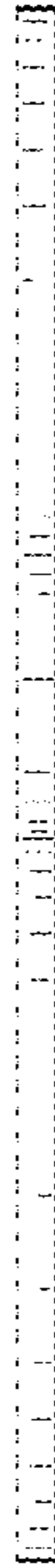


FIG. 5

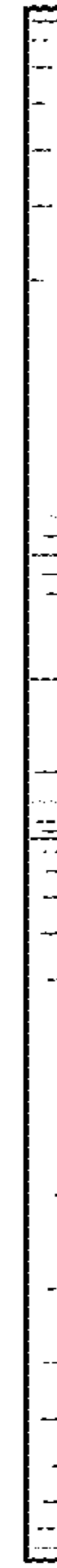


FIG. 6



FIG. 7

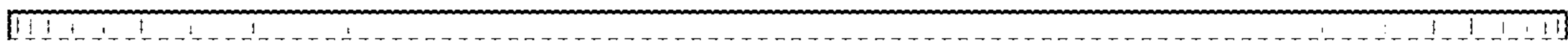


FIG. 8