

US00D726884S

(12) **United States Design Patent**
Yamagishi et al.

(10) **Patent No.:** **US D726,884 S**
(45) **Date of Patent:** **** Apr. 14, 2015**

- (54) **HEATER BLOCK**
- (71) Applicant: **ASM IP Holding B.V.**, Almere (NL)
- (72) Inventors: **Takayuki Yamagishi**, Kashiwazaki (JP);
Kazuo Sato, Kawasaki (JP); **Naoto Tsuji**, Tokyo (JP)
- (73) Assignee: **ASM IP Holding B.V.**, Almere (NL)
- (**) Term: **14 Years**
- (21) Appl. No.: **29/481,308**
- (22) Filed: **Feb. 4, 2014**
- (51) **LOC (10) Cl.** **23-01**
- (52) **U.S. Cl.**
USPC **D23/259**
- (58) **Field of Classification Search**
USPC D23/259, 260, 261, 262, 263, 264, 265,
D23/266, 267, 268, 269, 275, 283, 304;
4/286–292, 596, 597, 598, 609, 612,
4/663; 239/548, 555, 600; 210/459, 460;
34/61, 66, 391, 395, 428; 219/444.1;
392/411, 308, 309; 118/725; D15/199,
D15/144.1

See application file for complete search history.

(56) **References Cited**

U.S. PATENT DOCUMENTS

D327,534	S *	6/1992	Manville et al.	D23/261
6,207,932	B1 *	3/2001	Yoo	219/444.1
6,370,796	B1 *	4/2002	Zucker	34/428
D461,233	S *	8/2002	Whalen	D23/261
D486,891	S *	2/2004	Cronce, Jr.	D23/260
6,688,784	B1 *	2/2004	Templeton	396/611

D602,575	S *	10/2009	Breda	D23/261
D629,874	S *	12/2010	Hermans	D23/260
D643,055	S *	8/2011	Takahashi	D15/199
D653,734	S *	2/2012	Sisk	D23/269
D665,055	S *	8/2012	Yanagisawa et al.	D23/261
D715,410	S *	10/2014	Lohmann	D23/259
2001/0019777	A1 *	9/2001	Tanaka et al.	428/472.2
2002/0014204	A1 *	2/2002	Pyo	118/715
2005/0258280	A1 *	11/2005	Goto et al.	239/548
2007/0125762	A1 *	6/2007	Cui et al.	219/444.1
2008/0092815	A1 *	4/2008	Chen et al.	118/715
2009/0283217	A1 *	11/2009	Lubomirsky et al.	156/345.34
2011/0107512	A1 *	5/2011	Gilbert	4/596
2012/0207456	A1 *	8/2012	Kim et al.	392/411
2013/0126515	A1 *	5/2013	Shero et al.	219/444.1
2013/0134148	A1 *	5/2013	Tachikawa et al.	219/444.1
2014/0014642	A1 *	1/2014	Elliot et al.	219/444.1
2014/0182053	A1 *	7/2014	Huang	4/286
2014/0283747	A1 *	9/2014	Kasai et al.	118/723 R

* cited by examiner

Primary Examiner — Eric Goodman

Assistant Examiner — Steven Czyz

(74) *Attorney, Agent, or Firm* — Snell & Wilmer LLP

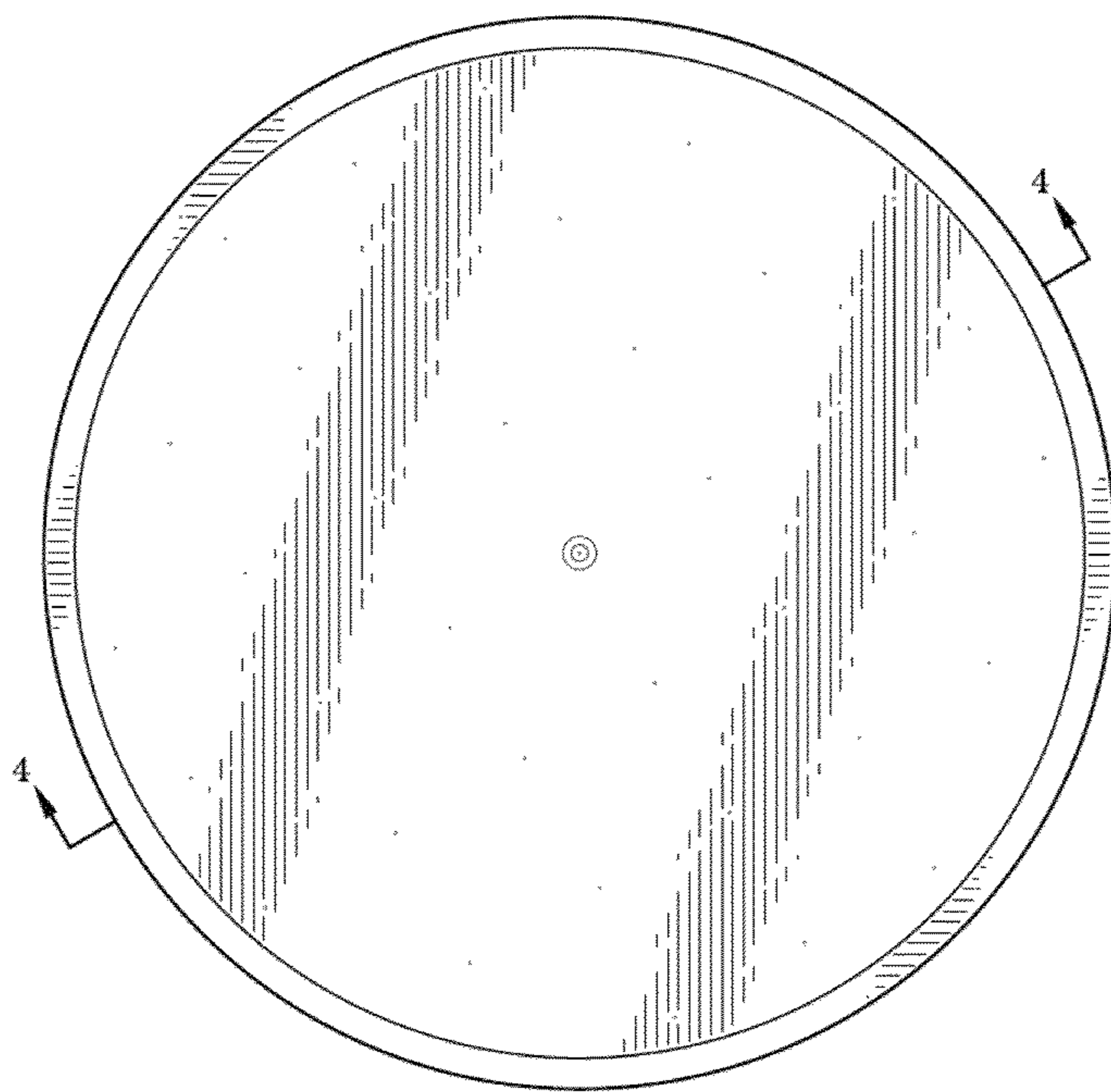
(57) **CLAIM**

The ornamental design for a heater block, as shown and described.

DESCRIPTION

FIG. 1 is a top view of a heater block of the present invention; FIG. 2 is a side view thereof; FIG. 3 is a bottom view thereof; and, FIG. 4 a cross-section view thereof taken along line 4-4 in FIG. 1; and, FIG. 5 is an enlarged view of the section labeled FIG. 5 in FIG. 4.

1 Claim, 4 Drawing Sheets



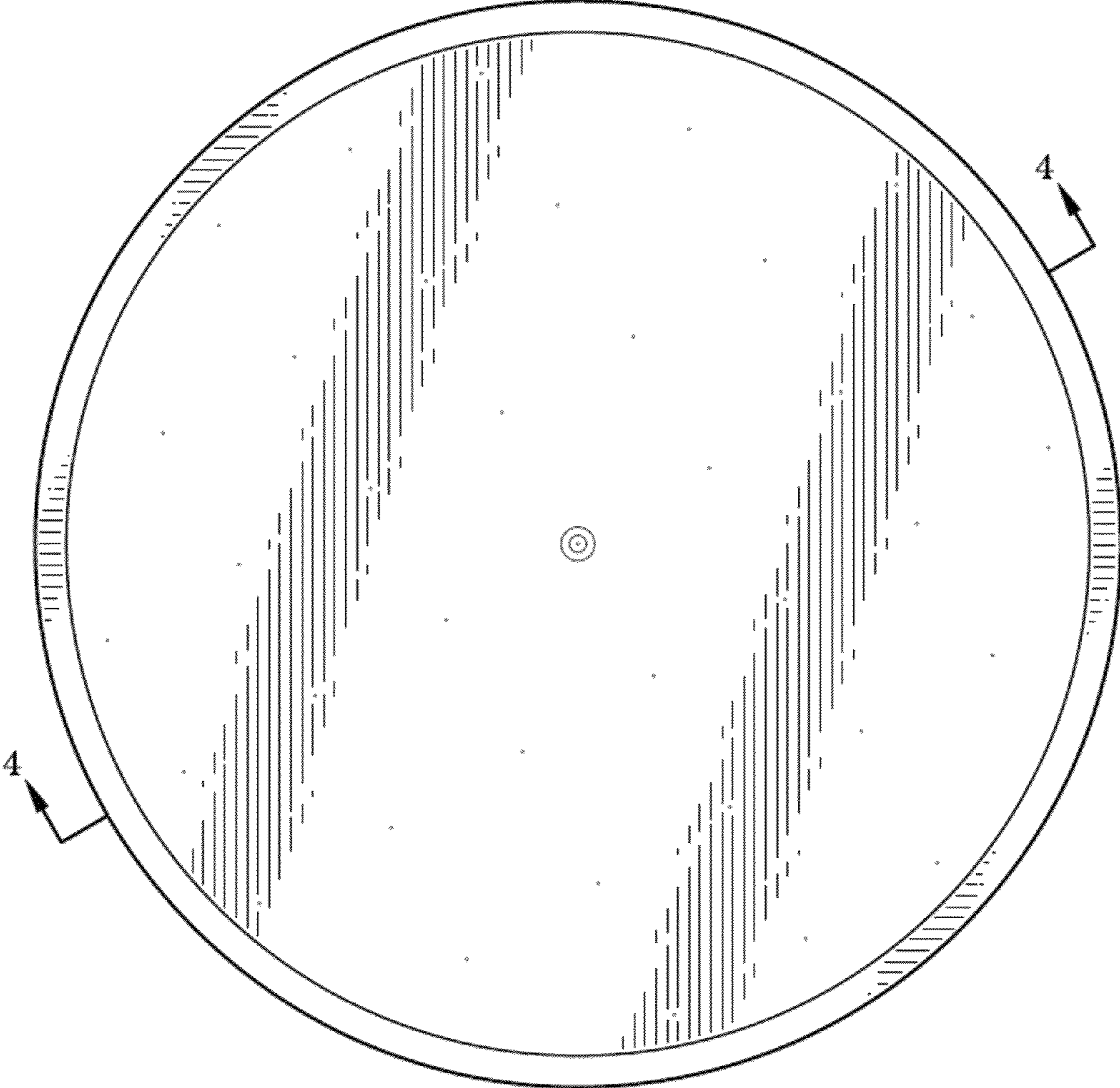


FIG-1

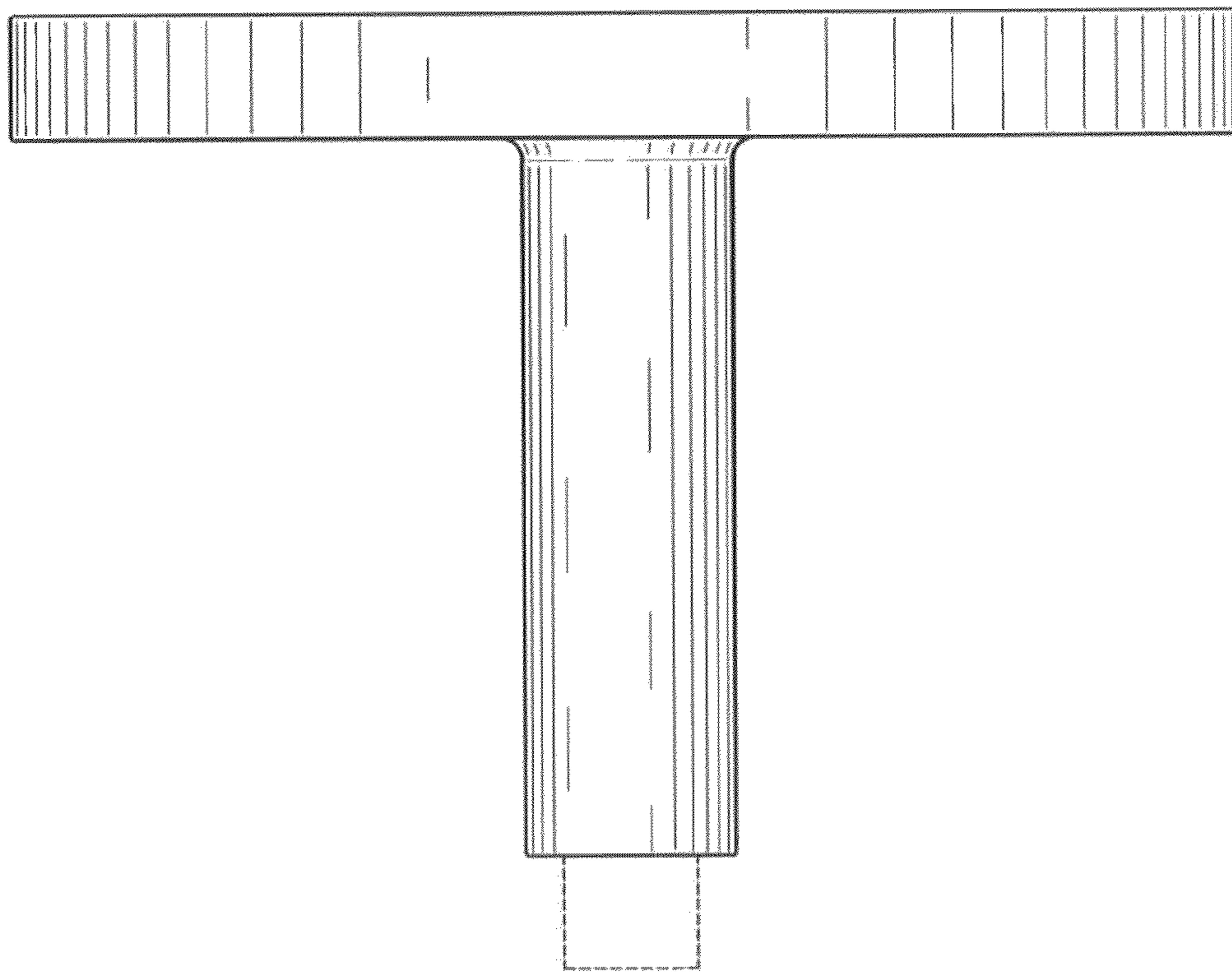


FIG-2

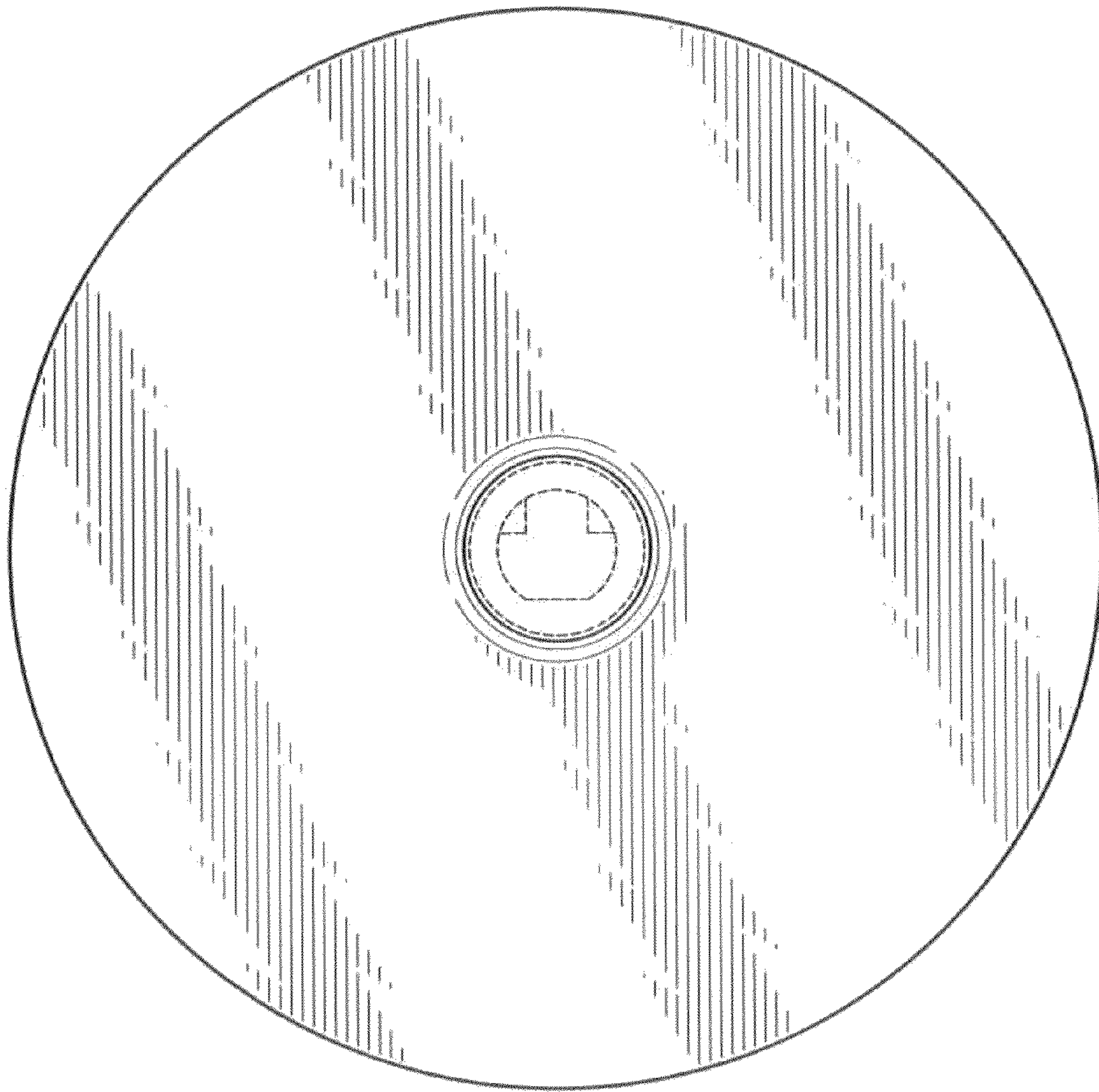


FIG-3

