



US00D726883S

(12) **United States Design Patent**  
**Flowers et al.**

(10) **Patent No.:** **US D726,883 S**  
(45) **Date of Patent:** **\*\* Apr. 14, 2015**

(54) **BATH SHOWER HANDLE**

(71) Applicant: **Grohe AG**, Hemer (DE)

(72) Inventors: **Paul Flowers**, Duesseldorf (DE); **Jochen Allard**, Menden (DE)

(73) Assignee: **Grohe AG**, Hemer (DE)

(\*\*) Term: **14 Years**

(21) Appl. No.: **29/510,806**

(22) Filed: **Dec. 3, 2014**

(30) **Foreign Application Priority Data**

Jun. 3, 2014 (EM) ..... 002475368-0034

(51) **LOC (10) Cl.** ..... **23-01**

(52) **U.S. Cl.**  
USPC ..... **D23/254**

(58) **Field of Classification Search**  
CPC ..... E03C 1/04; E03C 1/0401; E03C 1/0402;  
E03C 1/0404  
USPC ..... D23/238, 241–243, 249–250, 253–254;  
D8/350–358; 137/359; 16/402  
See application file for complete search history.

(56) **References Cited**

**U.S. PATENT DOCUMENTS**

D441,845 S \* 5/2001 Fleischmann ..... D23/254  
D494,661 S \* 8/2004 Zieger et al. .... D23/254  
D534,622 S \* 1/2007 Chu et al. .... D23/238

D568,447 S \* 5/2008 Lai ..... D23/250  
D589,594 S \* 3/2009 Lammel et al. .... D23/238  
D591,398 S \* 4/2009 Lammel et al. .... D23/238  
D645,120 S \* 9/2011 Lammel et al. .... D23/238  
D646,365 S \* 10/2011 Parekh ..... D23/290  
D679,781 S \* 4/2013 Flowers et al. .... D23/250  
D700,296 S \* 2/2014 Flowers et al. .... D23/254

\* cited by examiner

*Primary Examiner* — Robert Delehanty

(74) *Attorney, Agent, or Firm* — Muncy, Geissler, Olds & Lowe, P.C.

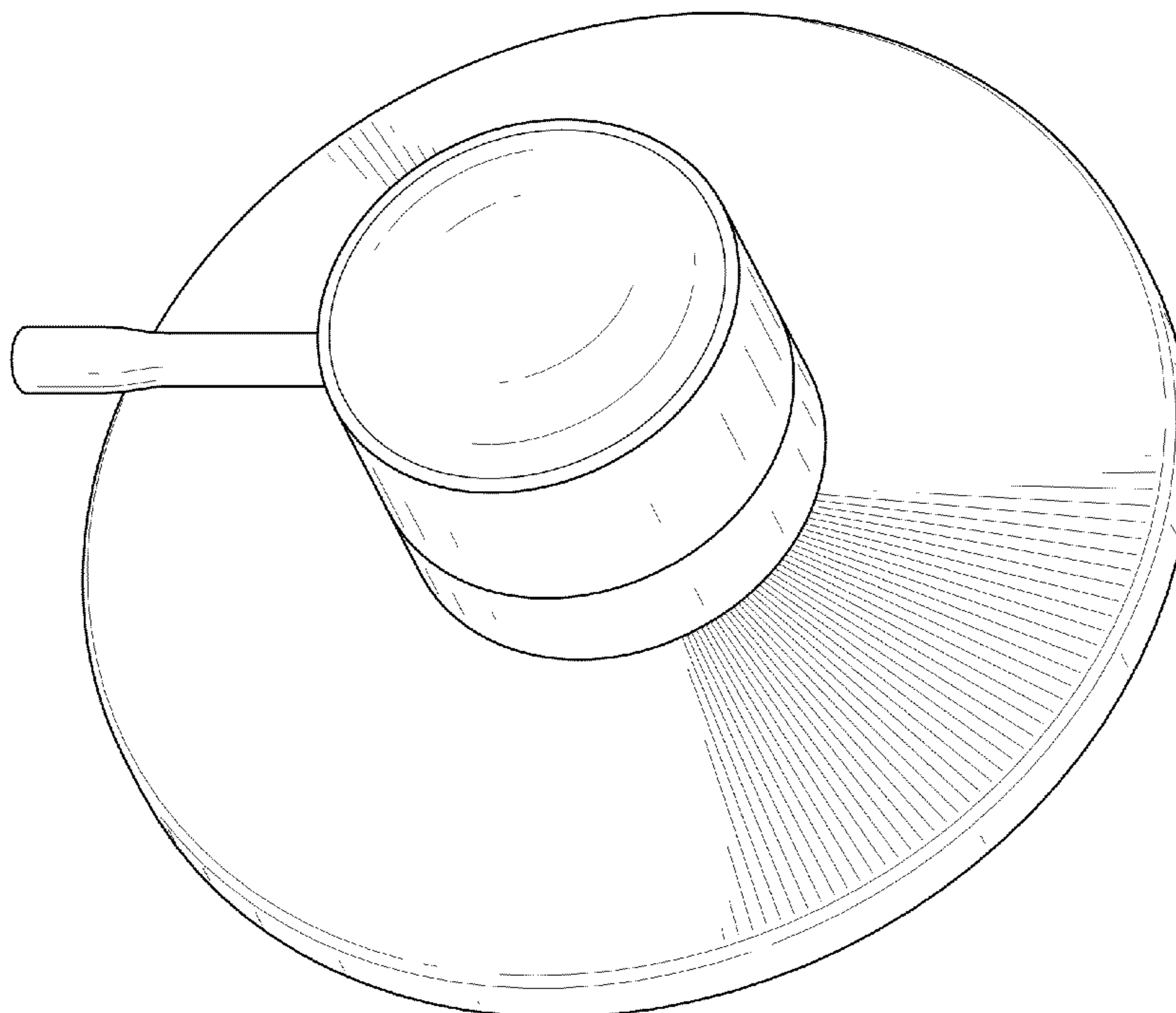
(57) **CLAIM**

The ornamental design for a bath shower handle, as shown and described.

**DESCRIPTION**

FIG. 1 is a front perspective view of a bath shower handle according to the present invention.  
FIG. 2 is a left side view of the bath shower handle of FIG. 1.  
FIG. 3 is a right side view of the bath shower handle of FIG. 1.  
FIG. 4 is a top view of the bath shower handle of FIG. 1.  
FIG. 5 is a bottom view of the bath shower handle of FIG. 1.  
FIG. 6 is a front view of the bath shower handle of FIG. 1; and, FIG. 7 is a rear view of the bath shower handle of FIG. 1.  
The dashed lines illustrate environment that does not form a part of the present invention, and no claim is made to the material illustrated with dashed lines.

**1 Claim, 7 Drawing Sheets**



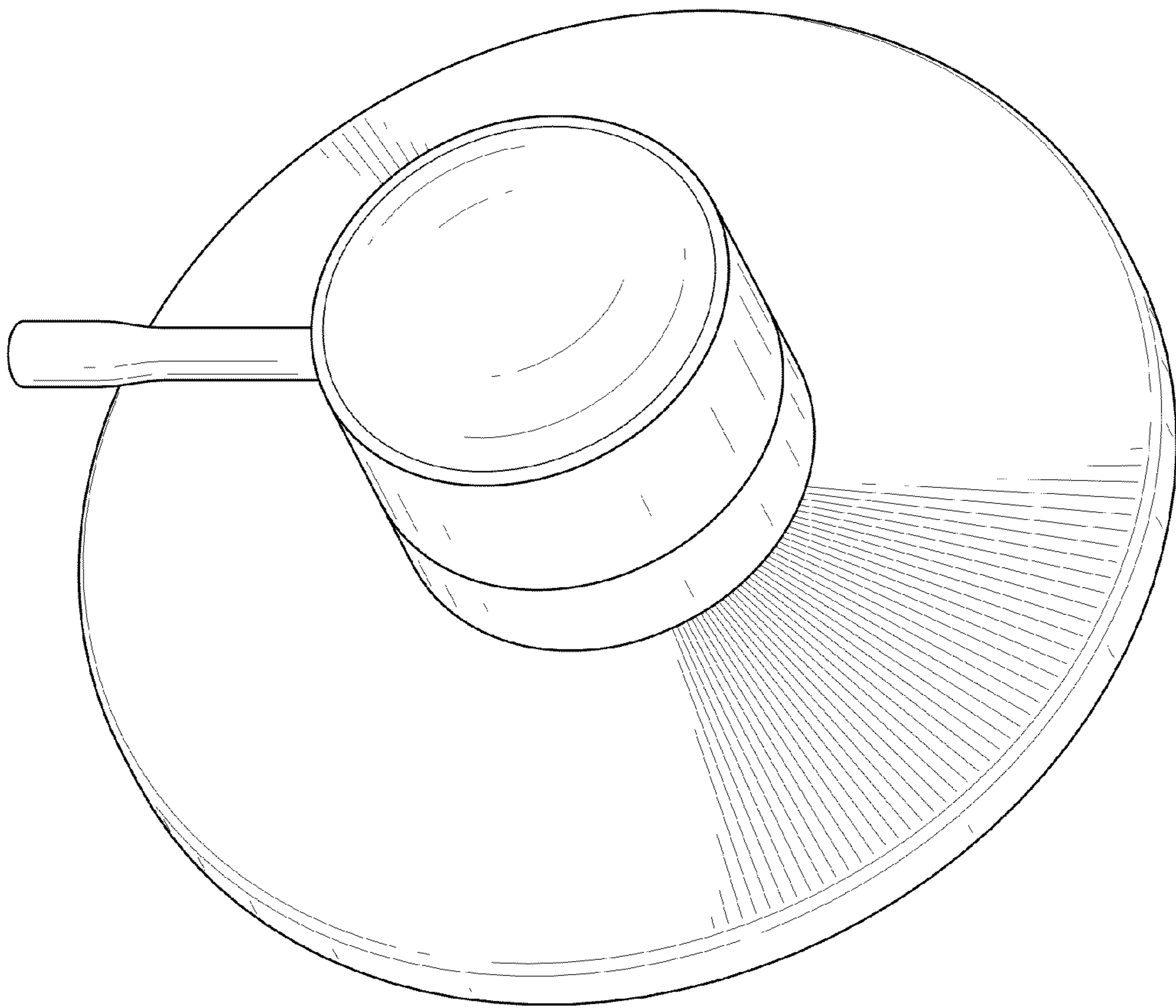


FIG. 1

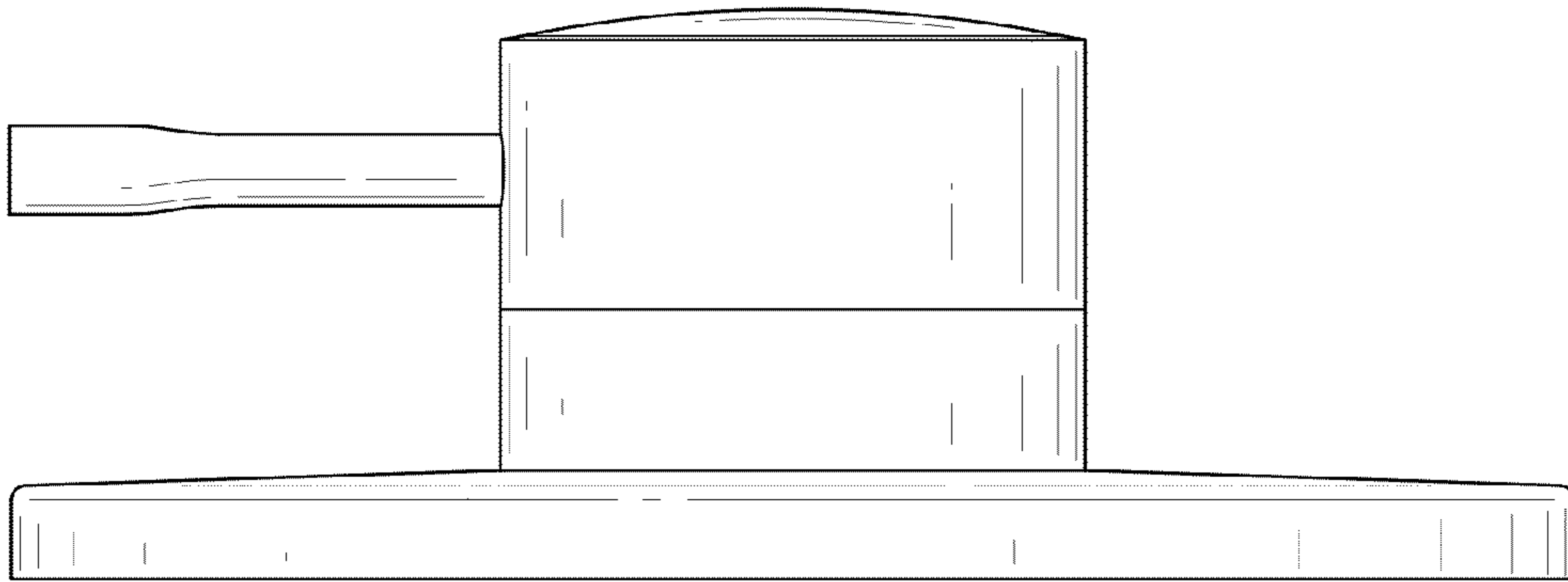


FIG. 2

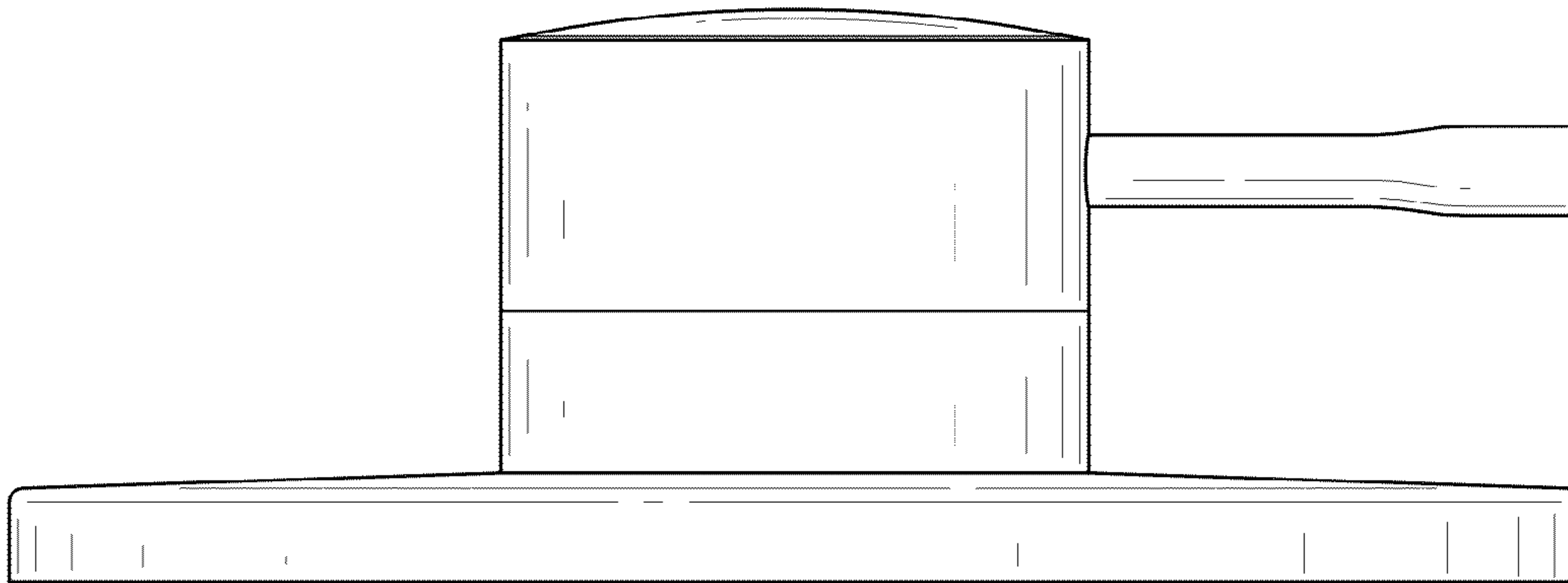


FIG.3

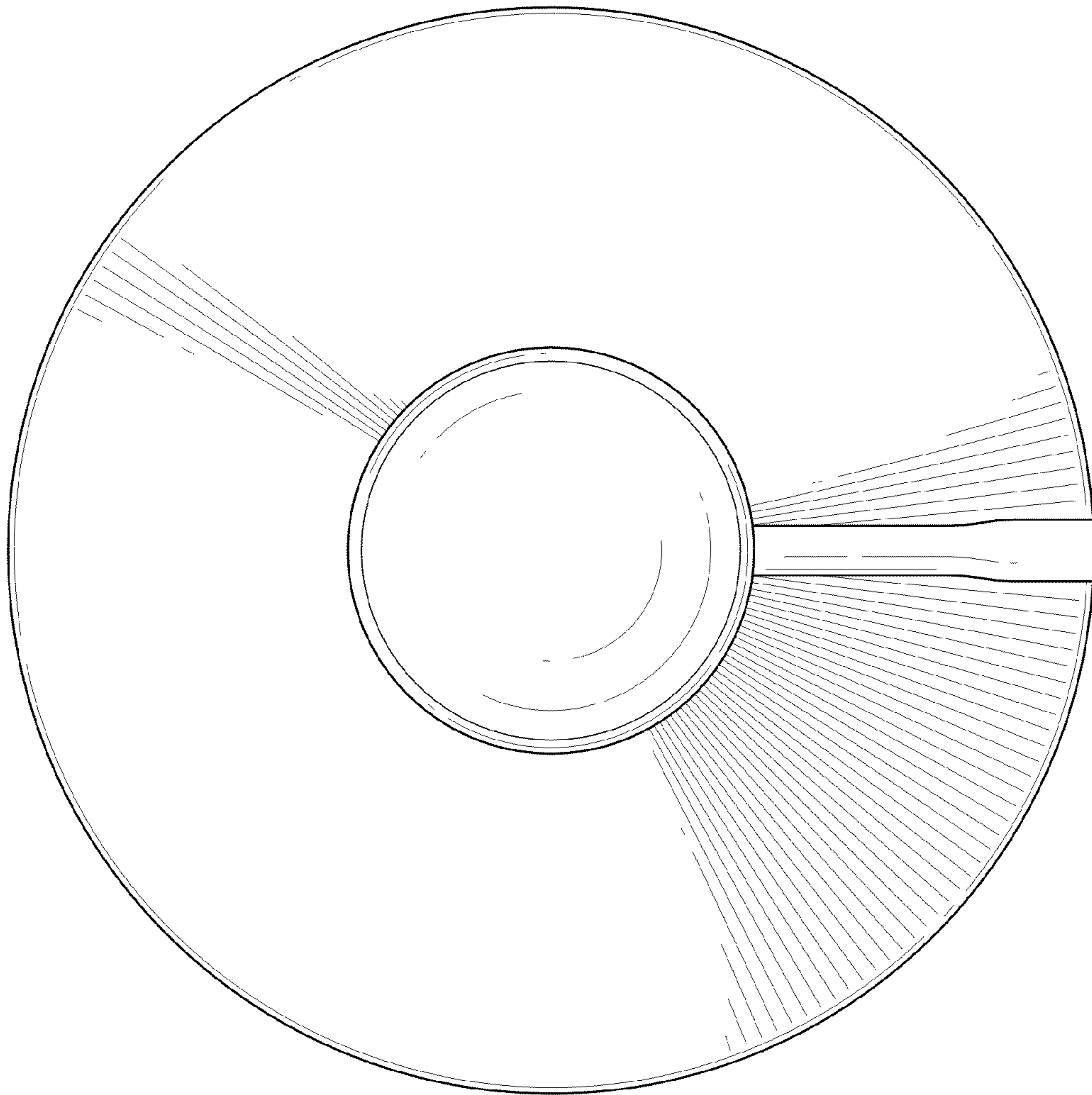


FIG.4

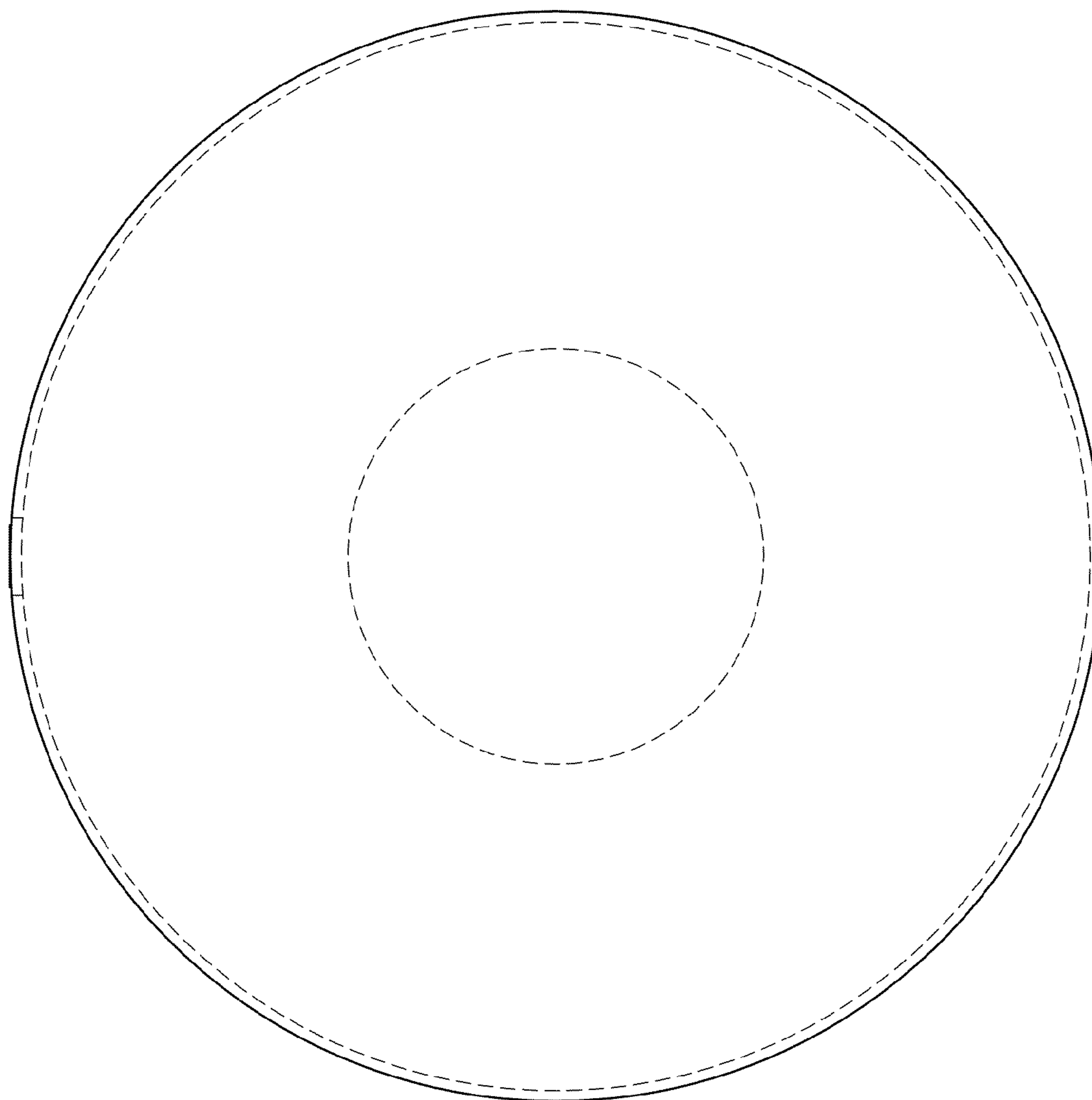


FIG.5

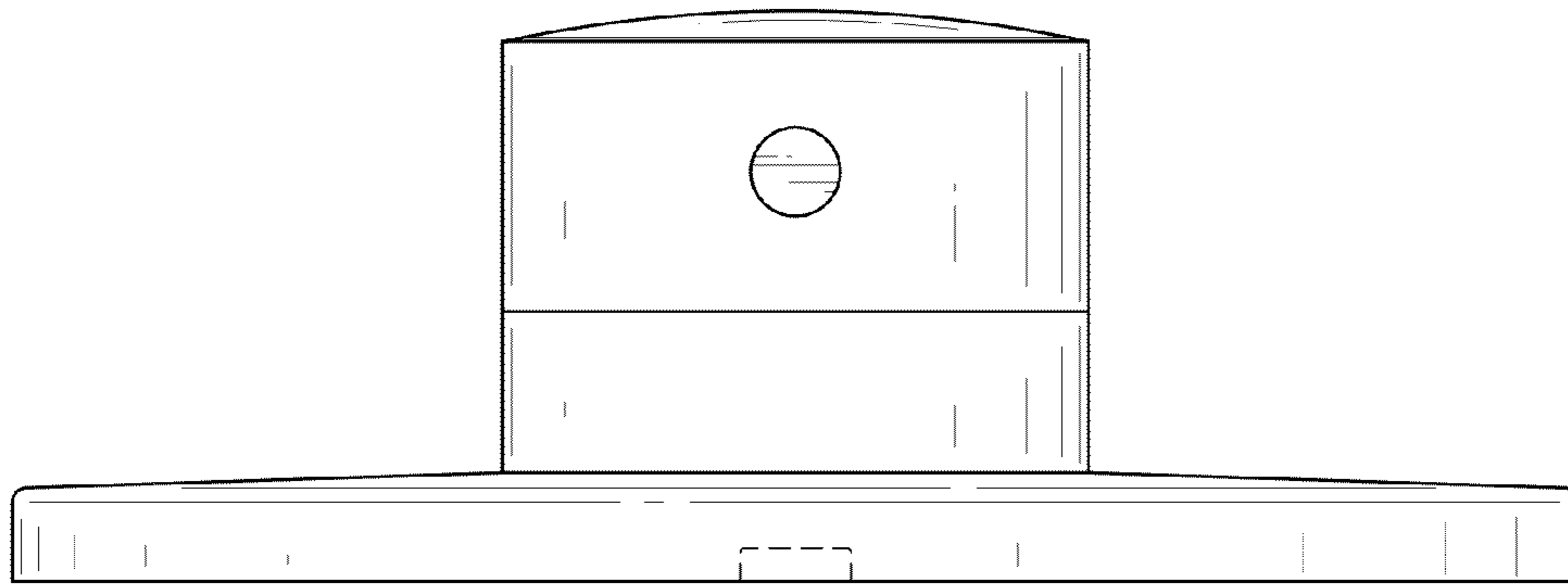


FIG.6

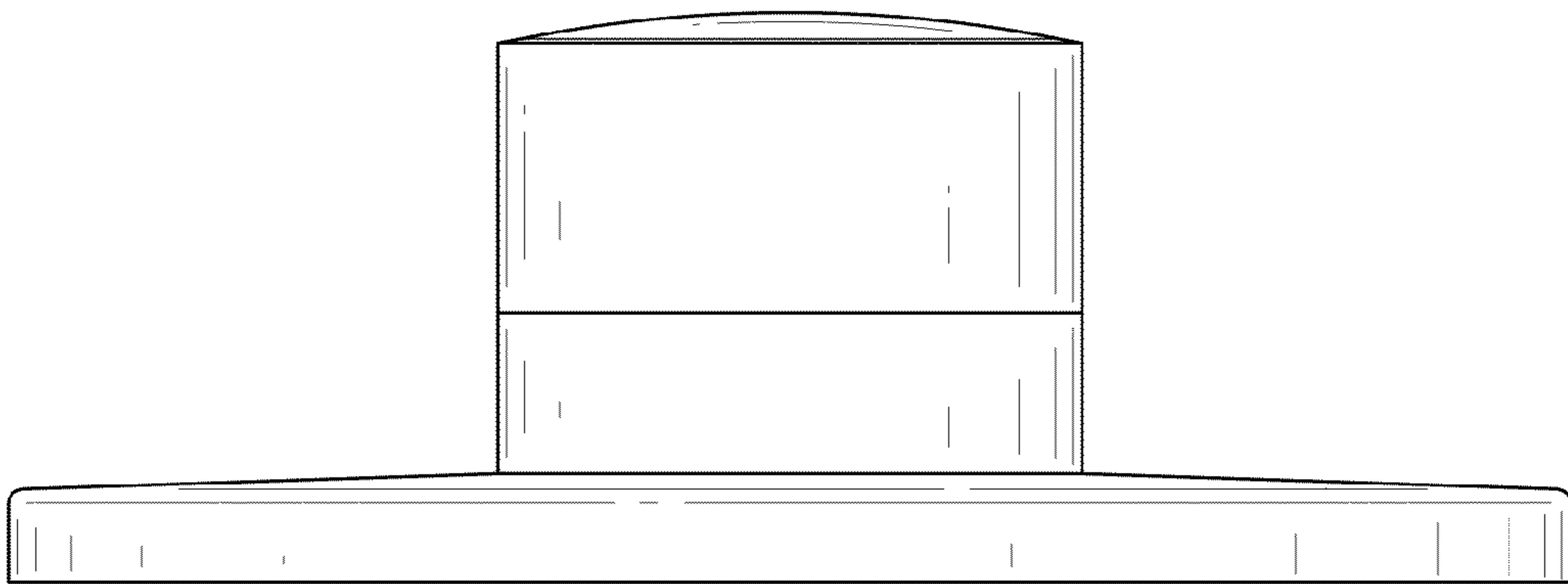


FIG. 7