



US00D726881S

(12) **United States Design Patent**
Sandee

(10) **Patent No.:** **US D726,881 S**
(45) **Date of Patent:** **** Apr. 14, 2015**

(54) **WALL MOUNTED TOILET ACTUATOR**

(71) Applicant: **Kohler Co.**, Kohler, WI (US)

(72) Inventor: **Coralee Schroeder Sandee**, Sheboygan, WI (US)

(73) Assignee: **Kohler Co.**, Kohler, WI (US)

(**) Term: **14 Years**

(21) Appl. No.: **29/451,617**

(22) Filed: **Apr. 4, 2013**

(51) **LOC (10) Cl.** **23-01**

(52) **U.S. Cl.**

USPC **D23/249**

(58) **Field of Classification Search**

CPC E03D 5/10; E03D 5/024; E03D 5/092;
E03D 1/306; E03D 5/02; E03D 1/308; E03D
1/35; E03D 5/09; E03D 5/094; E03D 5/105;
E03D 9/007; E03D 9/037; E03D 9/04; A47K
13/10; A47K 13/105; A47K 13/12
USPC D23/233-250, 252, 254, 309; 4/246.1,
4/319, 321, 324, 410, 325; 74/99 R;
D10/49; 292/336.3

See application file for complete search history.

(56) **References Cited**

U.S. PATENT DOCUMENTS

3,968,525 A * 7/1976 Alexander 4/410
4,527,296 A * 7/1985 Musgrove 4/324
5,435,016 A * 7/1995 Smith et al. 4/234
5,502,846 A * 4/1996 Chelchowski et al. 4/325
5,556,145 A * 9/1996 Takasaki 292/336.3
6,785,913 B2 * 9/2004 Ho 4/325
6,920,649 B2 * 7/2005 Oury 4/325
D532,874 S * 11/2006 Hoernig D23/254
D540,919 S * 4/2007 Soriano D23/249
7,386,895 B2 * 6/2008 Hayashi et al. 4/246.1
D601,666 S * 10/2009 Tsai et al. D23/249

D631,946 S * 2/2011 Allard et al. D23/250
7,966,676 B2 * 6/2011 Ueno et al. 4/410
D648,831 S * 11/2011 Bradford D23/252
8,104,104 B2 * 1/2012 Le et al. 4/410
8,230,531 B2 * 7/2012 Miller et al. 4/319
2004/0078880 A1 * 4/2004 Hewton 4/246.1
2007/0056085 A1 * 3/2007 Dyson et al. 4/246.1
2009/0089922 A1 * 4/2009 Le et al. 4/324
2009/0106885 A1 * 4/2009 Sagre 4/246.1
2010/0263116 A1 * 10/2010 Pinizzotto et al. 4/324
2011/0047687 A1 * 3/2011 Lee et al. 4/246.1
2014/0165280 A1 * 6/2014 Gvardjancic et al. 4/410

* cited by examiner

Primary Examiner — Cynthia Ramirez

Assistant Examiner — Gino Colan

(74) *Attorney, Agent, or Firm* — Foley & Lardner LLP

(57) **CLAIM**

I claim the ornamental design for a wall mounted toilet actuator, as shown and described.

DESCRIPTION

FIG. 1 is a perspective view of an embodiment of the claimed design;

FIG. 2 is a front view of the embodiment of the claimed design shown in FIG. 1;

FIG. 3 is a top view of the embodiment of the claimed design shown in FIG. 1;

FIG. 4 is a bottom view of the embodiment of the claimed design shown in FIG. 1;

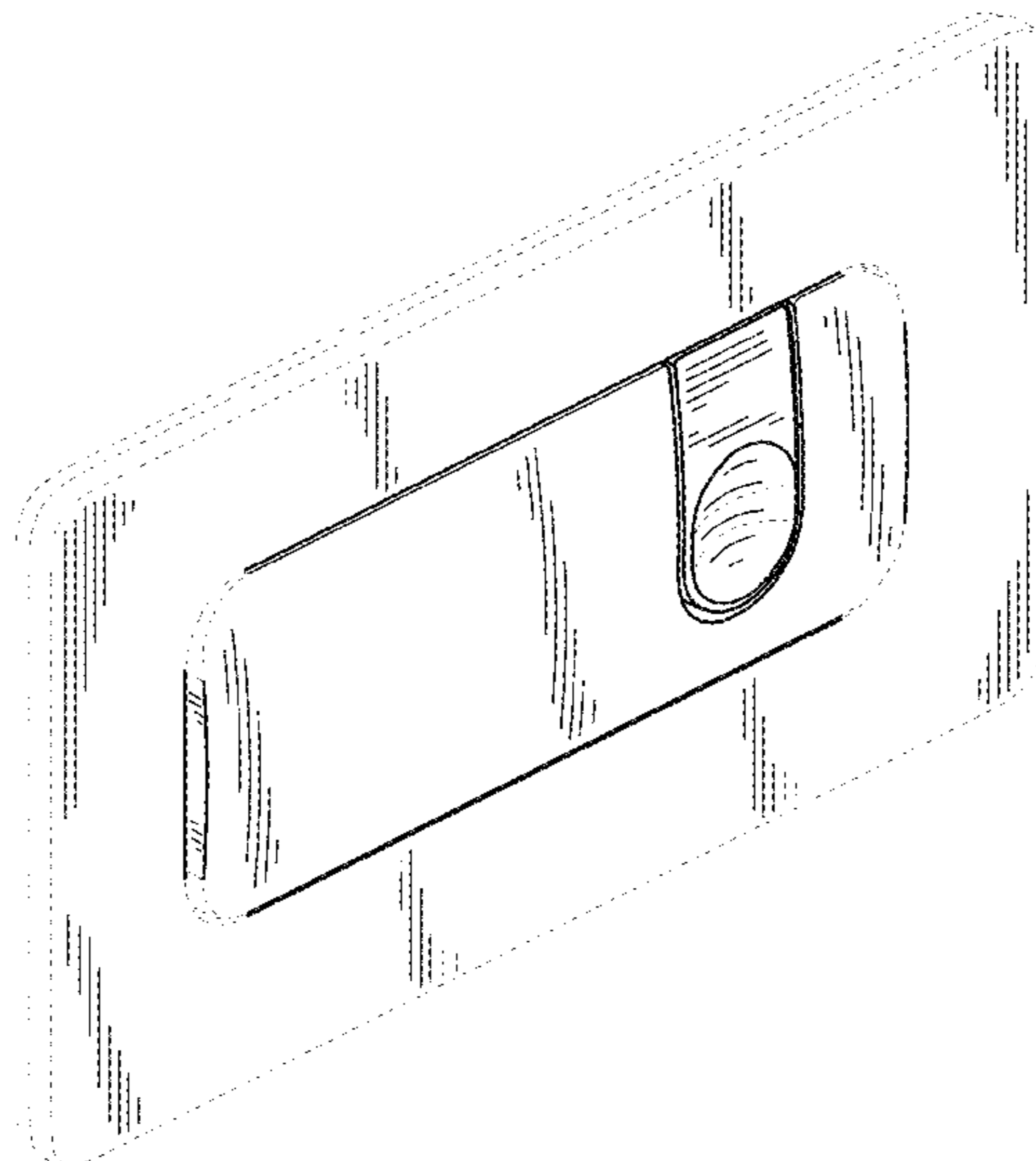
FIG. 5 is a side view of the embodiment of the claimed design shown in FIG. 1;

FIG. 6 is another side view of the embodiment of the claimed design shown in FIG. 1; and,

FIG. 7 is a rear view of the embodiment of the claimed design shown in FIG. 1.

The broken lines in the drawings are included for the purpose of illustrating elements of the wall mounted toilet actuator and form no part of the claimed design.

1 Claim, 4 Drawing Sheets



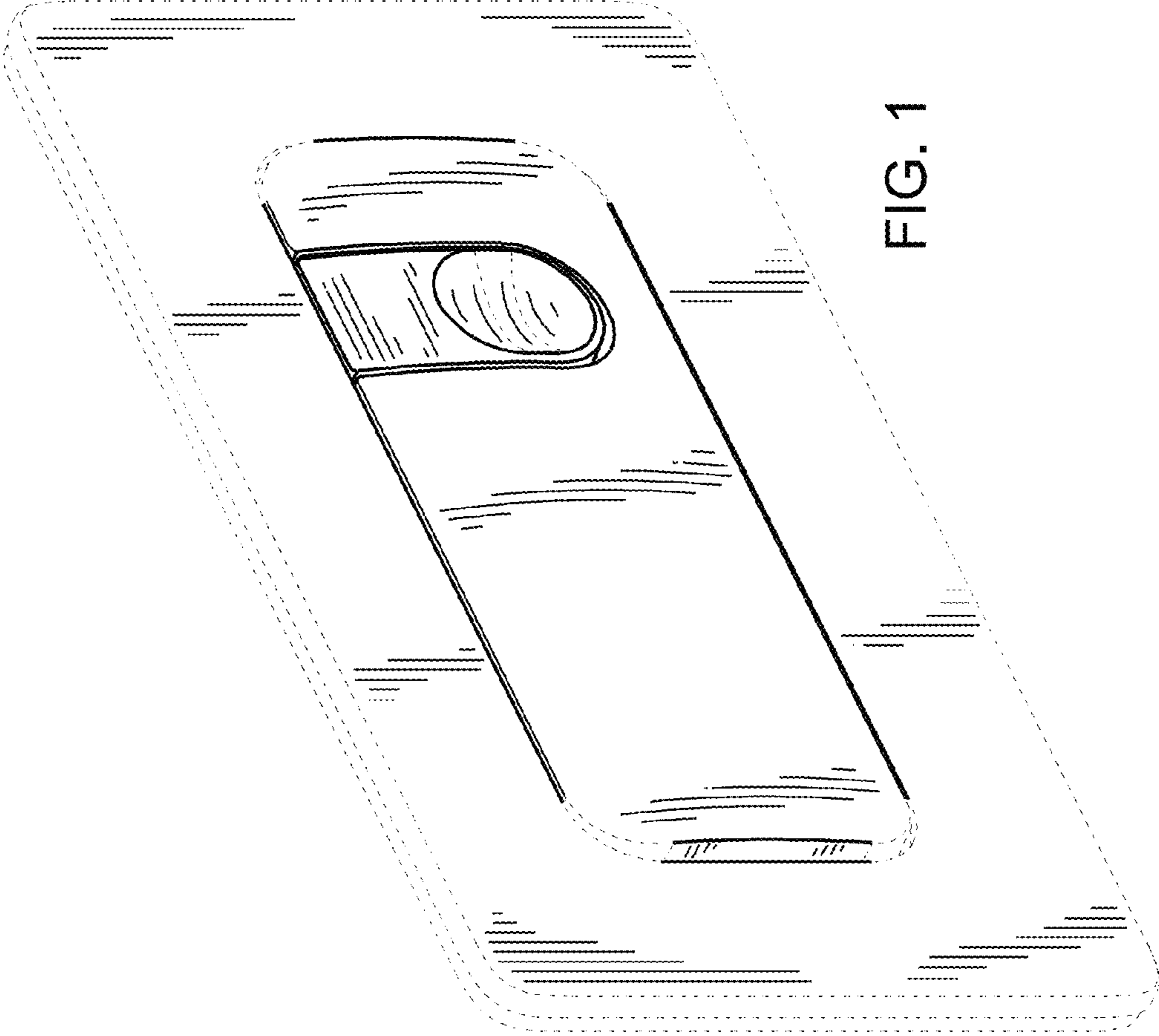


FIG. 1

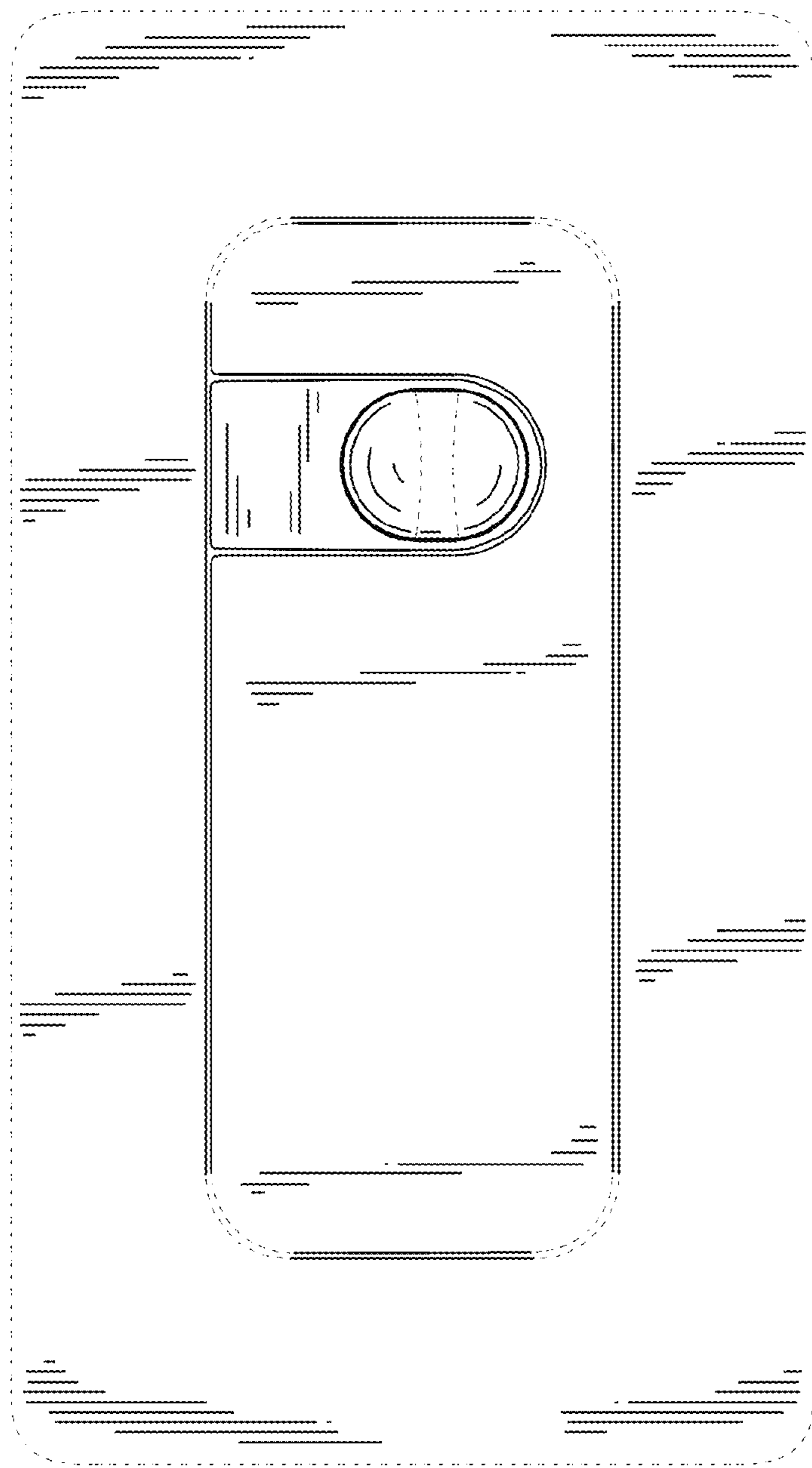


FIG. 2

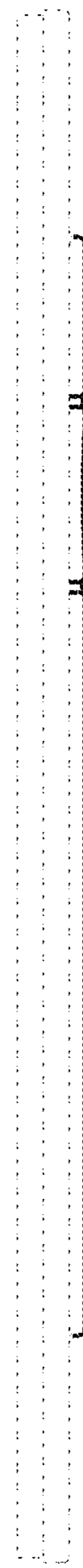


FIG. 3

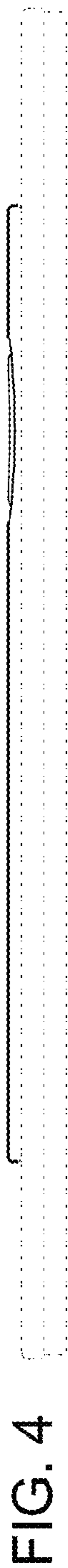


FIG. 4

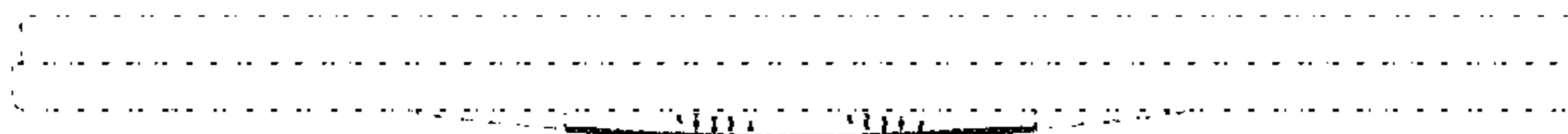


FIG. 6

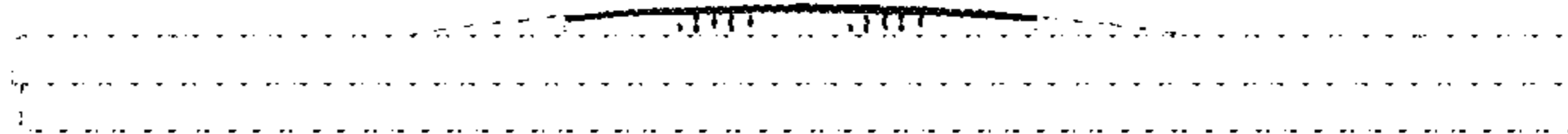


FIG. 5

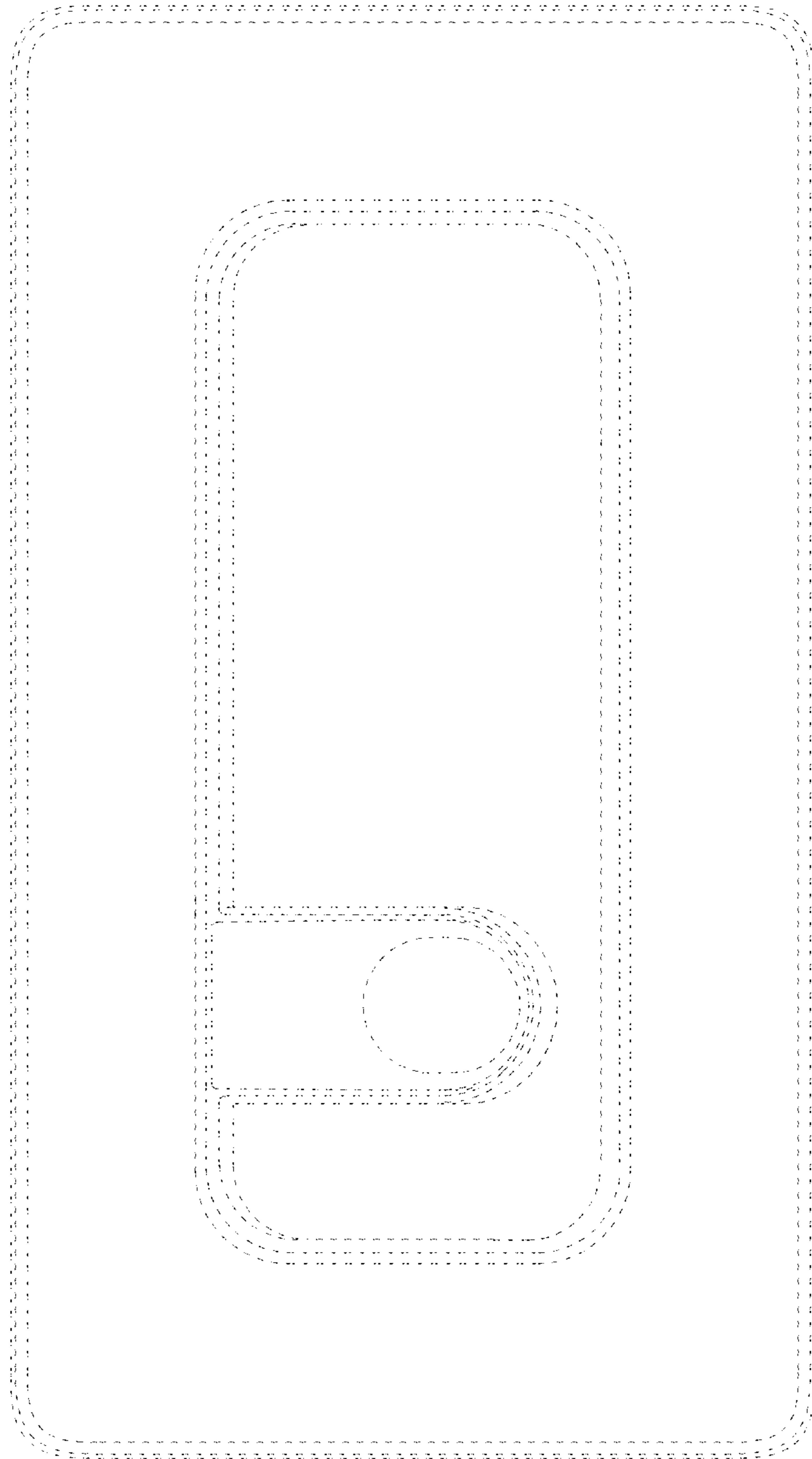


FIG. 7