



US00D726880S

(12) **United States Design Patent**
Kington et al.

(10) **Patent No.:** **US D726,880 S**

(45) **Date of Patent:** **** Apr. 14, 2015**

(54) **FAUCET**

(71) Applicant: **Kohler Mira Limited**, Cheltenham,
Gloucestershire (GB)

(72) Inventors: **Gary John Kington**, Cheltenham (GB);
Simon Mark Browning, London (GB)

(73) Assignee: **Kohler Mira Limited**, Gloucestershire
(GB)

(**) Term: **14 Years**

(21) Appl. No.: **29/493,290**

(22) Filed: **Jun. 6, 2014**

(51) **LOC (10) Cl.** **23-01**

(52) **U.S. Cl.**
USPC **D23/238**

(58) **Field of Classification Search**
CPC E03C 1/04; E03C 1/0401; E03C 1/0402;
E03C 1/0404
USPC D23/238, 250, 252, 254–255, 257
See application file for complete search history.

(56) **References Cited**

U.S. PATENT DOCUMENTS

D472,615 S 4/2003 Smith
D489,119 S 4/2004 Ouyoung

(Continued)

FOREIGN PATENT DOCUMENTS

AU 200514651 4/2006
CN 201230180855 1/2013

(Continued)

OTHER PUBLICATIONS

Alfi Brand & Eago; Bathroom Faucets & Shower Mixers; p. 5; 2014.

(Continued)

Primary Examiner — Robert Delehanty

(74) *Attorney, Agent, or Firm* — Foley & Lardner LLP

(57) **CLAIM**

We claim the ornamental design for a faucet, as shown and described.

DESCRIPTION

FIG. 1 is a front left perspective view of an embodiment of the claimed design;

FIG. 2 is a rear left perspective view of the claimed design of FIG. 1;

FIG. 3 is a front right perspective view of the claimed design of FIG. 1;

FIG. 4 is a top view of the claimed design of FIG. 1;

FIG. 5 is a front view of the claimed design of FIG. 1;

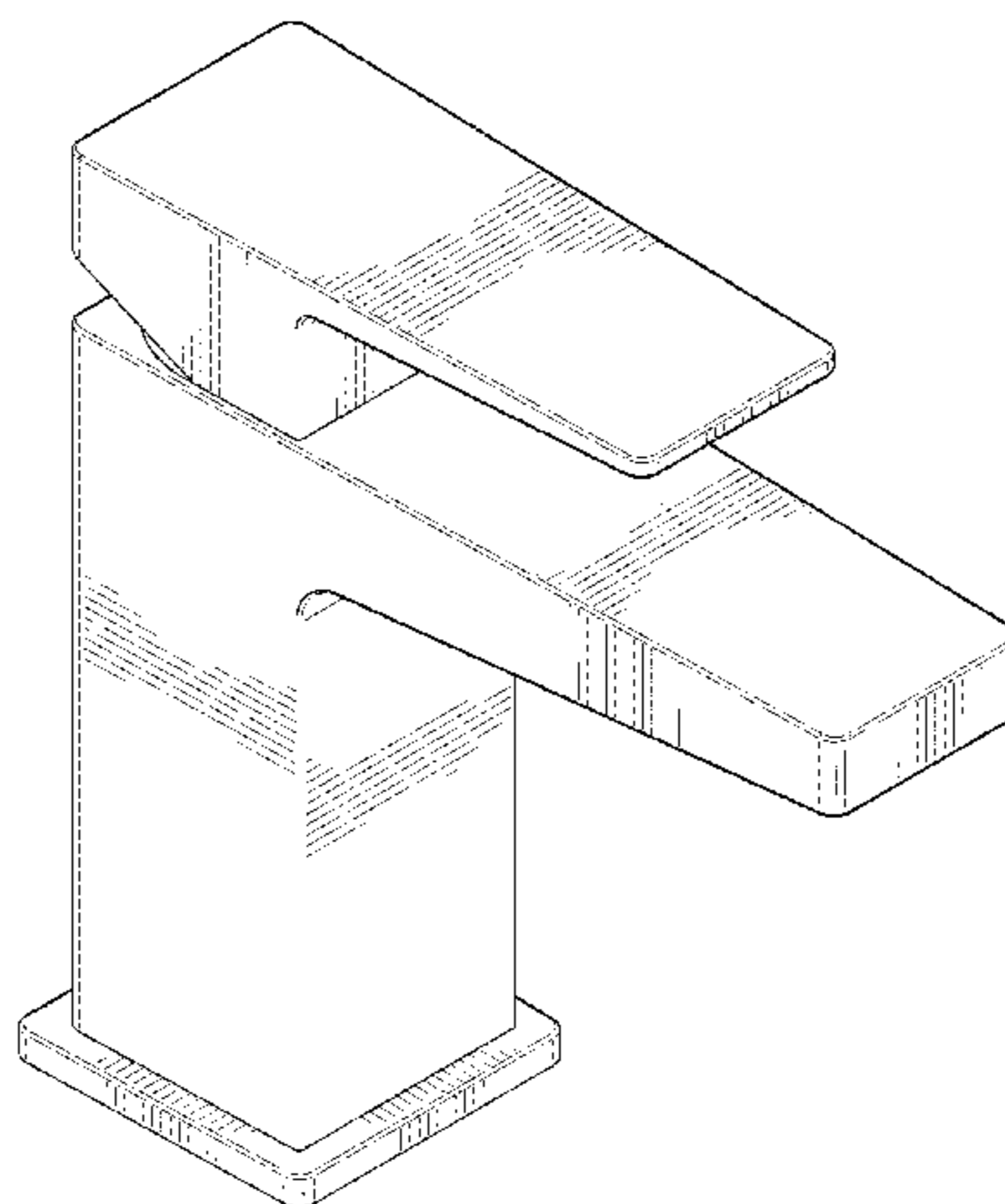
FIG. 6 is a rear view of the claimed design of FIG. 1;

FIG. 7 is a left side view of the claimed design of FIG. 1; and, FIG. 8 is a right side view of the claimed design of FIG. 1.

The ornamental design which is claimed is shown in solid lines in the drawings. The broken lines in the drawings are for illustrative purposes only and form no part of the claimed design. Broken lines formed by equal length dashes show unclaimed portions of the design. Broken lines formed of unequal length dashes (i.e., dash-dot) show boundaries between claimed and unclaimed portions of the design.

While the accompanying drawings illustrate one or more exemplary embodiments, it should be understood that according to other exemplary embodiments that should be considered to be within the possession of the inventors of the present application at the time this application is being filed, it is contemplated that any illustrated solid lines (or portions thereof) may be converted to broken lines and that any illustrated broken lines (or portions thereof) may be converted to solid lines so as to claim or disclaim portions, components, or sub-components of the designs shown. It is further contemplated that shading may be added or removed to claim or disclaim the corresponding surfaces.

1 Claim, 8 Drawing Sheets



(56)

References Cited

OTHER PUBLICATIONS

U.S. PATENT DOCUMENTS

D517,169 S *	3/2006	Ogata et al.	D23/238
D534,995 S	1/2007	Wang	
D534,996 S	1/2007	Wang	
D541,906 S *	5/2007	Qing	D23/238
D581,029 S	11/2008	Gilbert	
D596,711 S *	7/2009	Sieger	D23/238
7,658,202 B2 *	2/2010	Mueller et al.	137/359
D645,938 S *	9/2011	Ando et al.	D23/238
D659,800 S *	5/2012	Flowers et al.	D23/241
D662,181 S *	6/2012	Thun	D23/238
D664,241 S *	7/2012	Tang	D23/238
D664,629 S *	7/2012	Tang	D23/238
D680,627 S *	4/2013	Lord	D23/255
D701,592 S *	3/2014	Zhenqiang et al.	D23/238

FOREIGN PATENT DOCUMENTS

CN	201230180853	3/2013
CN	201230180880	3/2013
EM	000532932-0005	4/2006

KBIS 2014 Tradeshow; 3 pages; Feb. 4, 2014.

Danze. "Sirius Single Handle Wall Mount Lavatory Faucet". Model No. D201644. HomePortfolio.com online catalog. Copyright 1997-2008 HomePortfolio Inc.

Dornbracht. "Symetrics". Dornbracht online catalog.

THG. "Niagra Widespread Lavatory Faucet". HomePortfolio.com online catalog. Copyright 1997-2008. HomePortfolio Inc.

Zucchetti Aguablu. "Zut.za5432 ws".

Santekhnika magazine No. 6(31) (2004).

Santekhnika magazine No. 4(52) (2008).

* cited by examiner

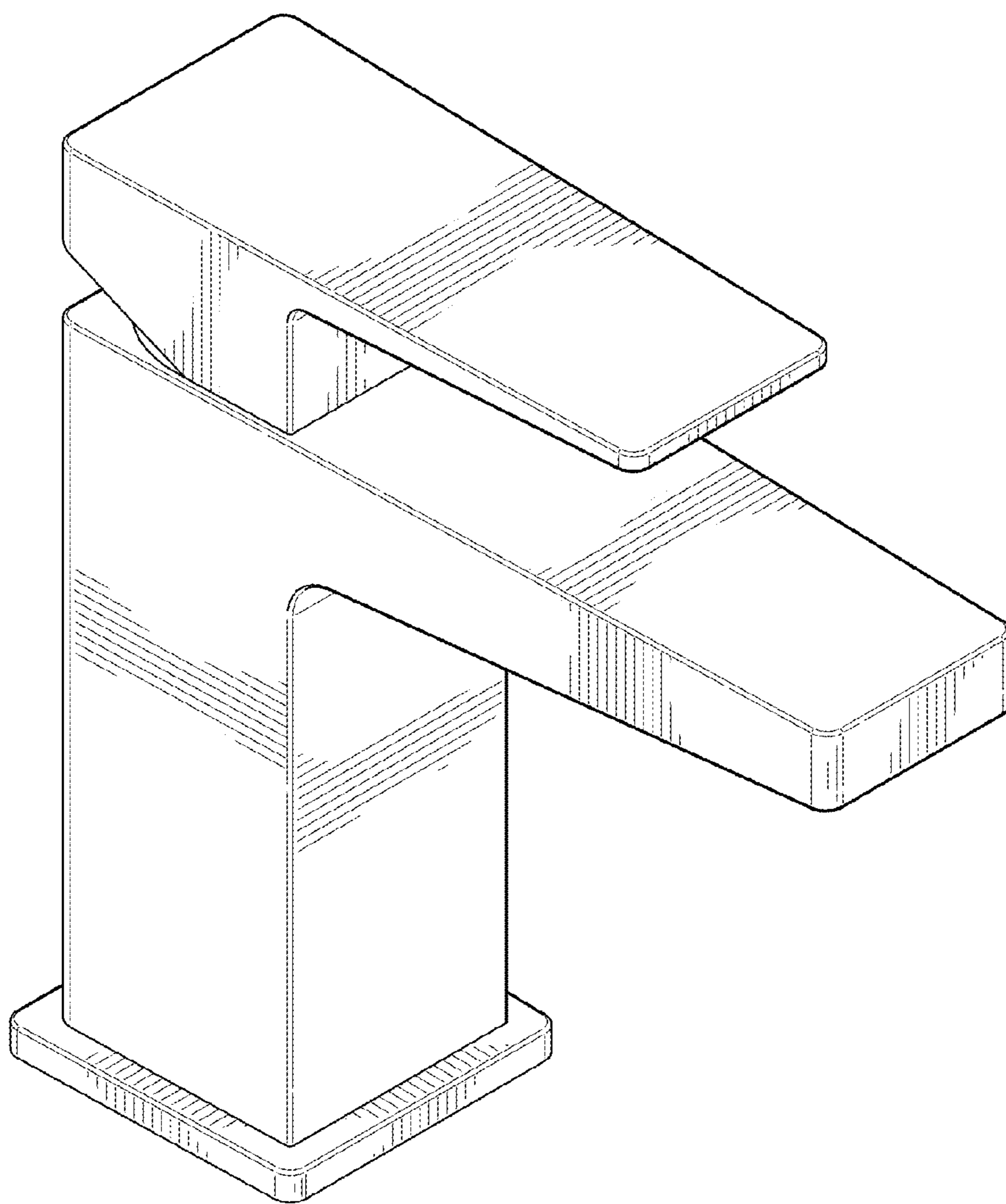


FIG. 1

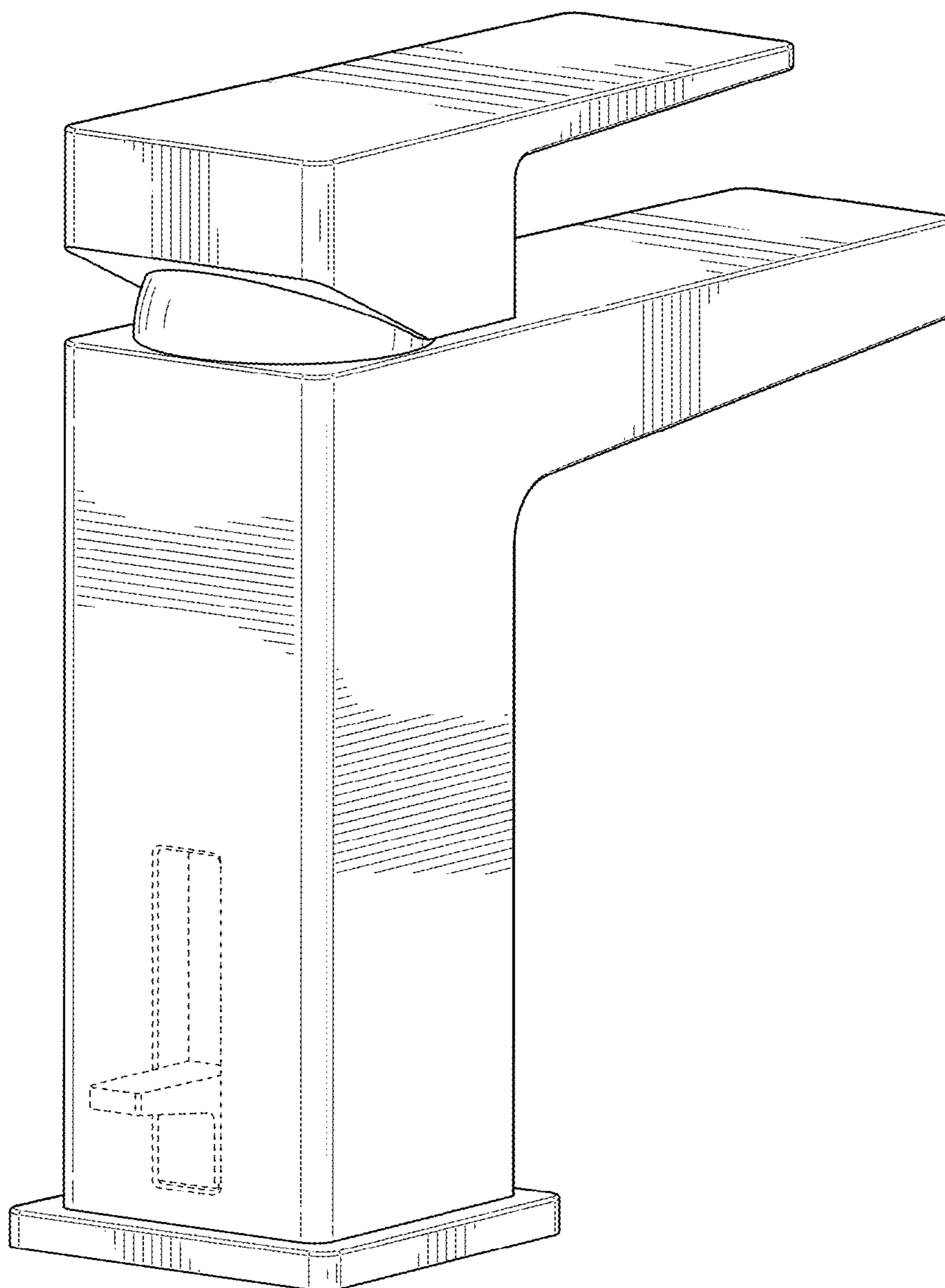


FIG. 2

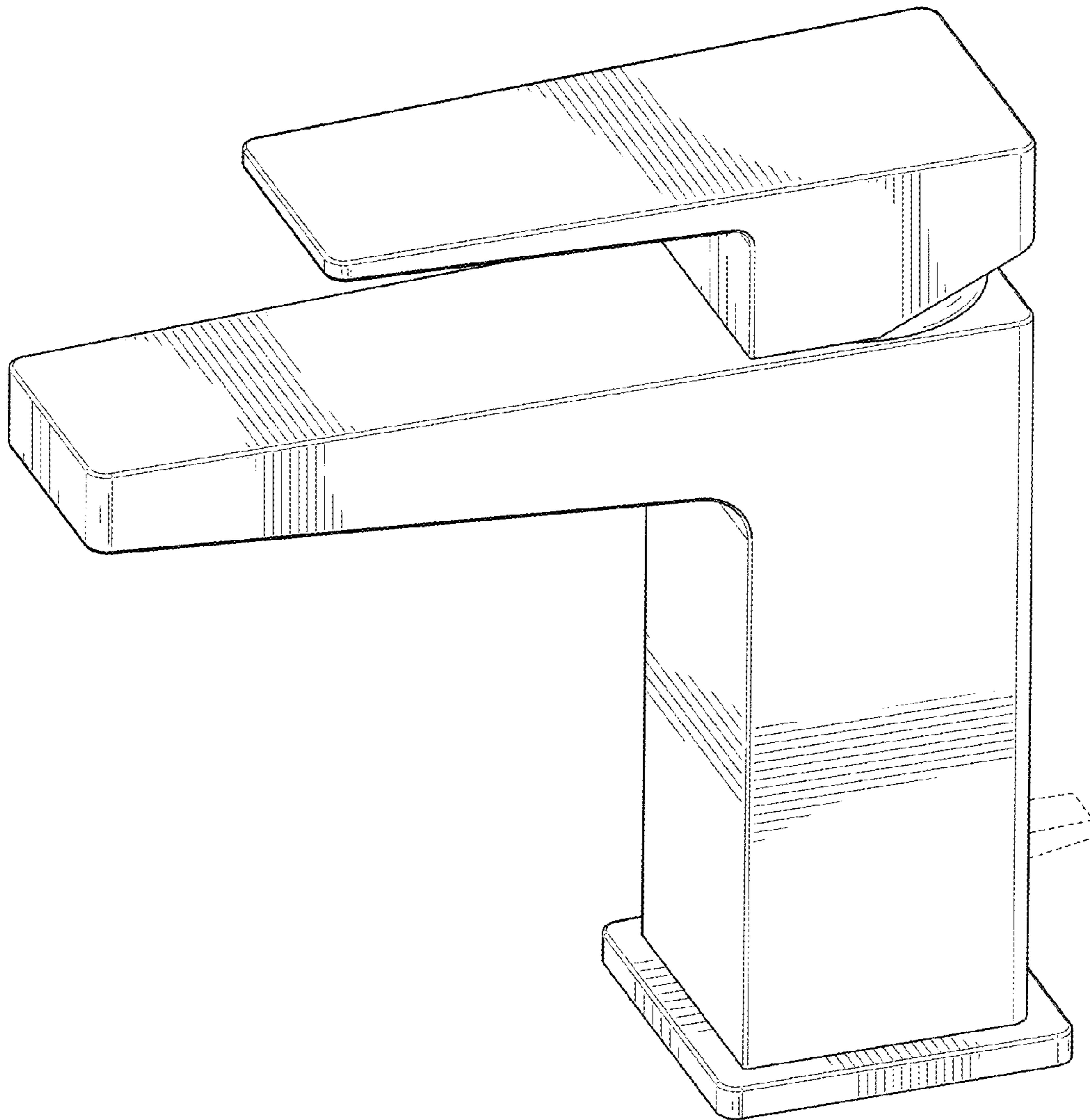


FIG. 3

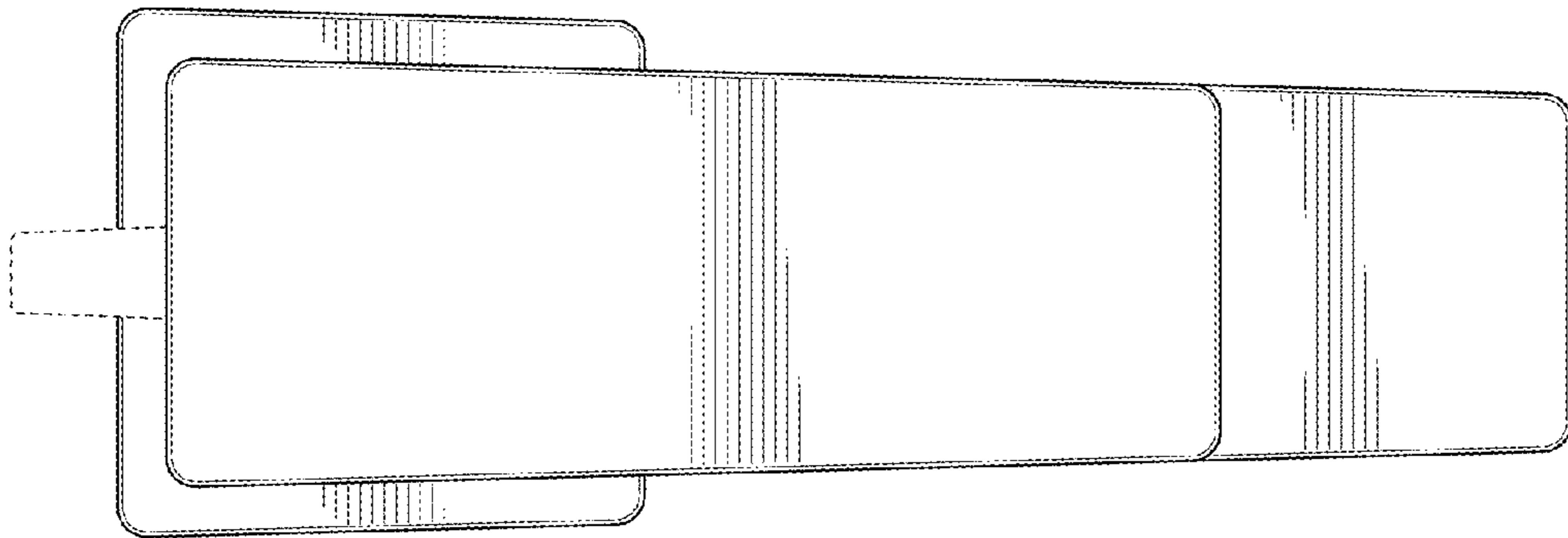


FIG. 4

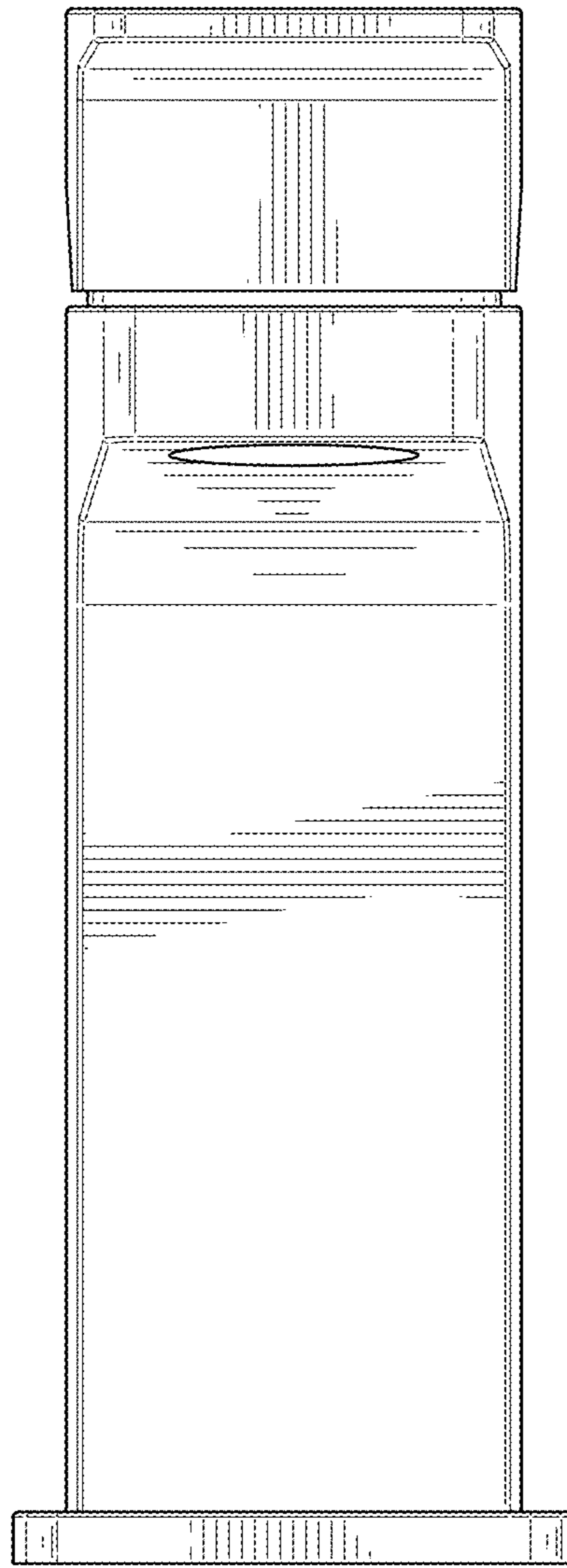


FIG. 5

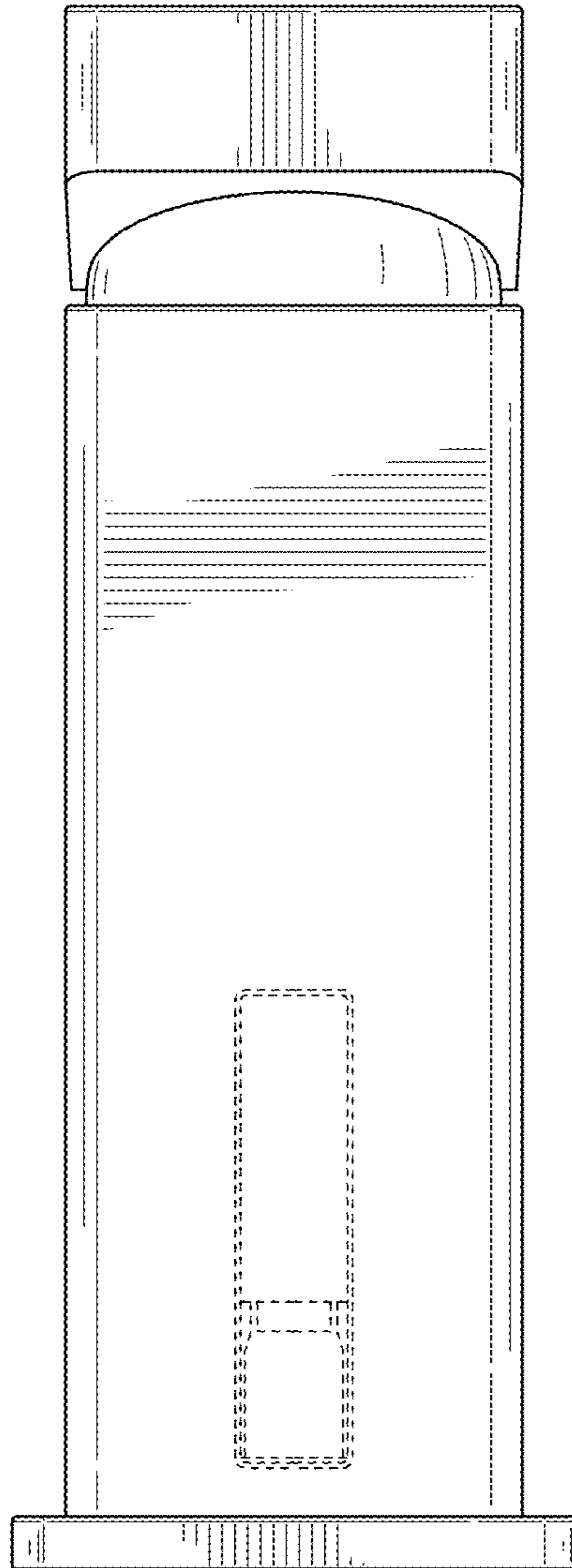


FIG. 6

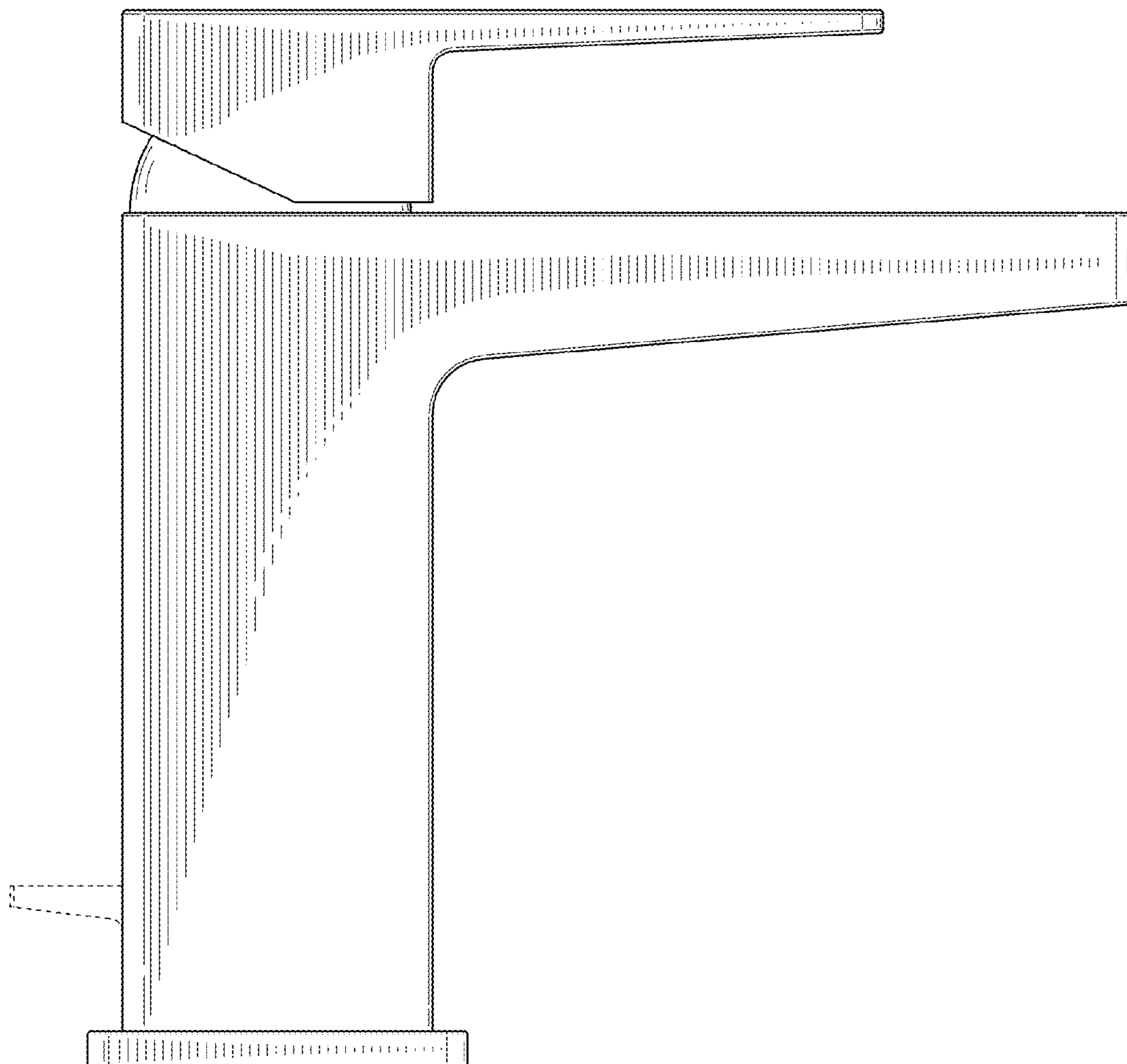


FIG. 7

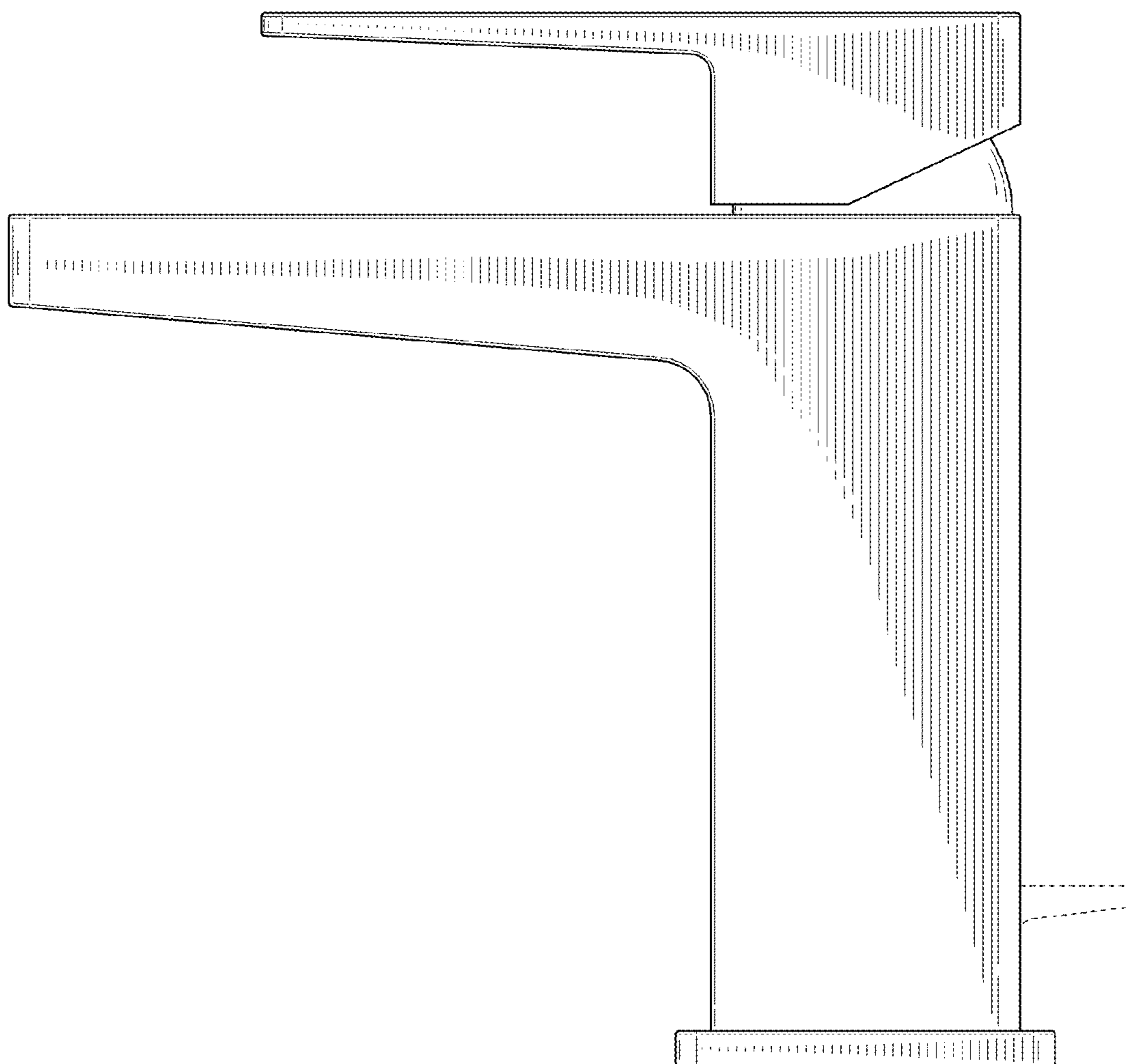


FIG. 8