



US00D726878S

(12) **United States Design Patent**
Tanaka

(10) **Patent No.:** **US D726,878 S**
(45) **Date of Patent:** **** Apr. 14, 2015**

(54) **ELECTRIC FLUID PRESSURE ACTUATOR**

(71) Applicant: **Kayaba Industry Co., Ltd.**, Tokyo (JP)

(72) Inventor: **Daisuke Tanaka**, Gifu (JP)

(73) Assignee: **Kayaba Industry Co., Ltd.**, Tokyo (JP)

(**) Term: **14 Years**

(21) Appl. No.: **29/462,208**

(22) Filed: **Jul. 31, 2013**

(30) **Foreign Application Priority Data**

Jan. 31, 2013 (JP) 2013-1911

(51) **LOC (10) Cl.** **23-01**

(52) **U.S. Cl.**
USPC **D23/235**

(58) **Field of Classification Search**

CPC . F16H 25/2252; F16H 25/20; F16D 2125/40;
F16D 2121/24; F16D 65/18; F15B 15/02

USPC D23/235; D15/143, 149, 199, 148;
D13/107, 110; 74/89.23, 25, 413;

310/78; D10/85; 137/601.13, 601.14,

137/601.15, 866, 869, 870, 871, 885, 886

See application file for complete search history.

(56) **References Cited**

U.S. PATENT DOCUMENTS

D379,468 S *	5/1997	Nagai et al.	D15/199
D380,221 S *	6/1997	Nagai et al.	D15/199
D412,917 S *	8/1999	Nagai et al.	D15/199
D412,918 S *	8/1999	Nagai et al.	D15/199
D413,129 S *	8/1999	Nagai et al.	D15/199
D502,477 S *	3/2005	Beadle et al.	D15/148
D509,520 S *	9/2005	Klinke et al.	D15/143
D522,028 S *	5/2006	Beadle et al.	D15/148
D522,546 S *	6/2006	Beadle et al.	D15/148

D522,547 S *	6/2006	Beadle et al.	D15/148
D523,880 S *	6/2006	Christensen et al.	D15/143
D524,335 S *	7/2006	Klinke et al.	D15/143
D595,753 S *	7/2009	Tseng	D15/143
D596,653 S *	7/2009	Fukano et al.	D15/143
7,562,594 B2 *	7/2009	Nagai et al.	74/89.23
D607,912 S *	1/2010	Medici	D15/149
D612,407 S *	3/2010	Hagleitner	D15/143

(Continued)

Primary Examiner — Cynthia Ramirez

Assistant Examiner — Gino Colan

(74) *Attorney, Agent, or Firm* — Lowe Hauptman & Ham, LLP

(57) **CLAIM**

The ornamental design for an electric fluid pressure actuator, as shown and described.

DESCRIPTION

FIG. 1 is a front view of the electric fluid pressure actuator. FIG. 2 is a left side view of the electric fluid pressure actuator. FIG. 3 is a right side view of the electric fluid pressure actuator.

FIG. 4 is a rear view of the electric fluid pressure actuator. FIG. 5 is a top plan view of the electric fluid pressure actuator. FIG. 6 is a bottom plan view of the electric fluid pressure actuator.

FIG. 7 is a right-top perspective view of the electric fluid pressure actuator.

FIG. 8 is a left-top perspective view of the electric fluid pressure actuator.

FIG. 9 is a right-bottom perspective view of the electric fluid pressure actuator; and,

FIG. 10 is a left-bottom perspective view of the electric fluid pressure actuator.

The broken line shown in the figures are included for the purpose of illustrating elements of the electric fluid pressure actuator and form no part of the claimed design.

1 Claim, 10 Drawing Sheets



(56)

References Cited

U.S. PATENT DOCUMENTS

D621,860 S *	8/2010	Fukano et al.	D15/143	D665,433 S *	8/2012	Beam et al.	D15/143
D624,098 S *	9/2010	Fukano et al.	D15/143	D681,085 S *	4/2013	Mangold	D15/143
D624,101 S *	9/2010	Tseng	D15/143	D682,901 S *	5/2013	Peschel	D15/143
D624,570 S *	9/2010	Fukano et al.	D15/143	D685,014 S *	6/2013	Mangold	D15/143
D625,745 S *	10/2010	Chiang et al.	D15/143	D685,403 S *	7/2013	Mangold	D15/143
D635,600 S *	4/2011	Wu	D15/143	D686,257 S *	7/2013	Wu	D15/143
D636,799 S *	4/2011	Fukano et al.	D15/143	D686,648 S *	7/2013	Wu	D15/143
D638,730 S *	5/2011	Ishibashi et al.	D10/85	D695,798 S *	12/2013	Wu	D15/143
D650,401 S *	12/2011	Fukano et al.	D15/143	D696,704 S *	12/2013	Battistella	D15/143
D656,975 S *	4/2012	Tseng	D15/143	D704,238 S *	5/2014	Fukano et al.	D15/143
D657,399 S *	4/2012	Nemoto	D15/28	2006/0081078 A1 *	4/2006	Nagai et al.	74/89.23
D660,334 S *	5/2012	Takeuchi et al.	D15/143	2008/0048514 A1 *	2/2008	Hoffmann et al.	310/78
					2008/0184828 A1 *	8/2008	Chen et al.	74/25
					2009/0314111 A1 *	12/2009	Schunke	74/89.32
					2011/0232403 A1 *	9/2011	Yu et al.	74/413

* cited by examiner

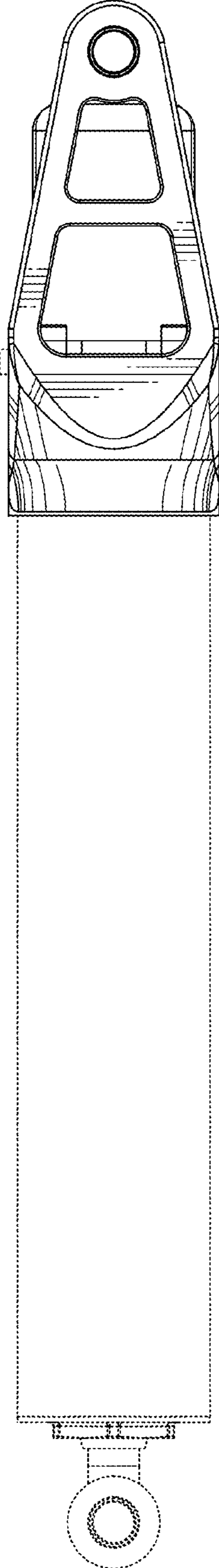


FIG. 1

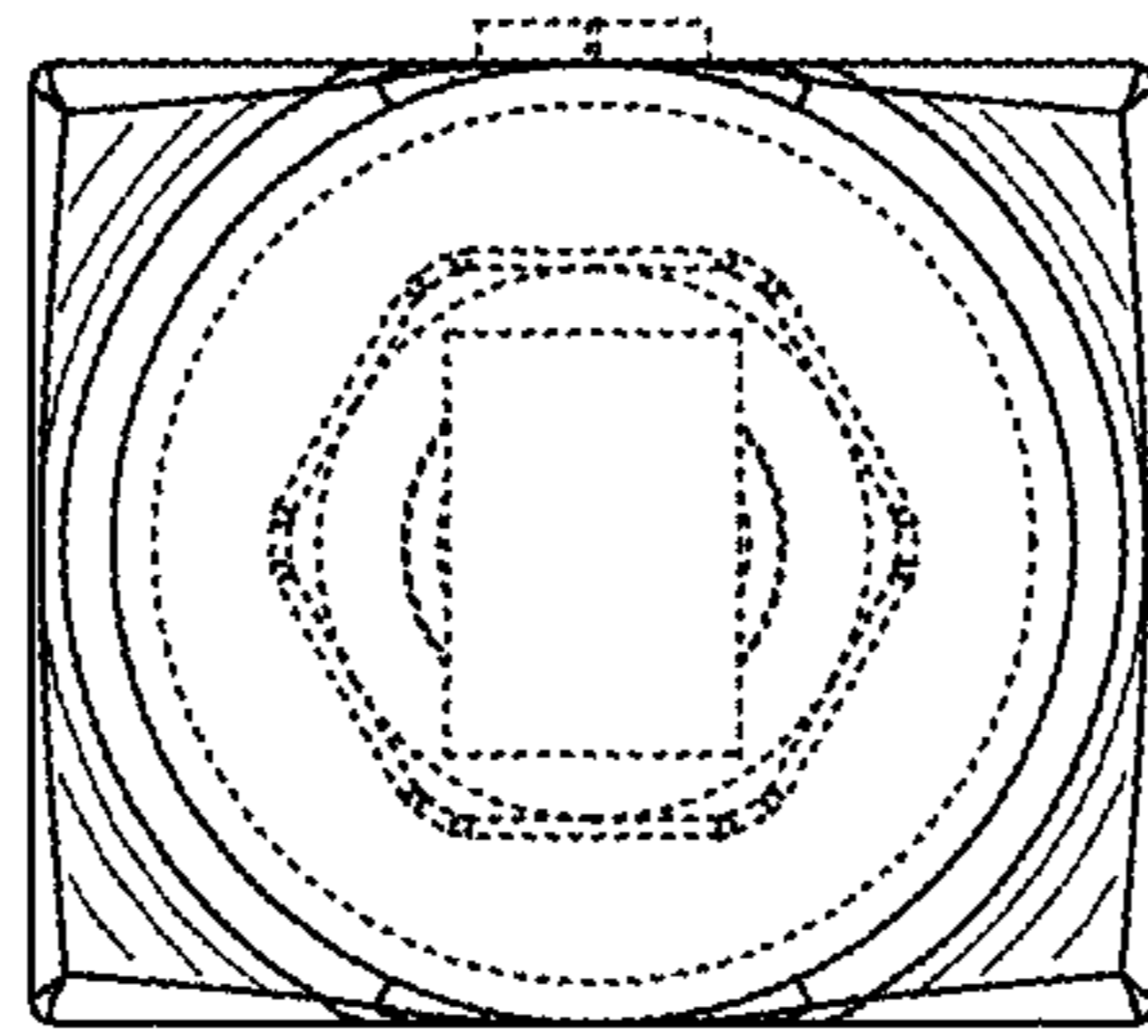


FIG. 2

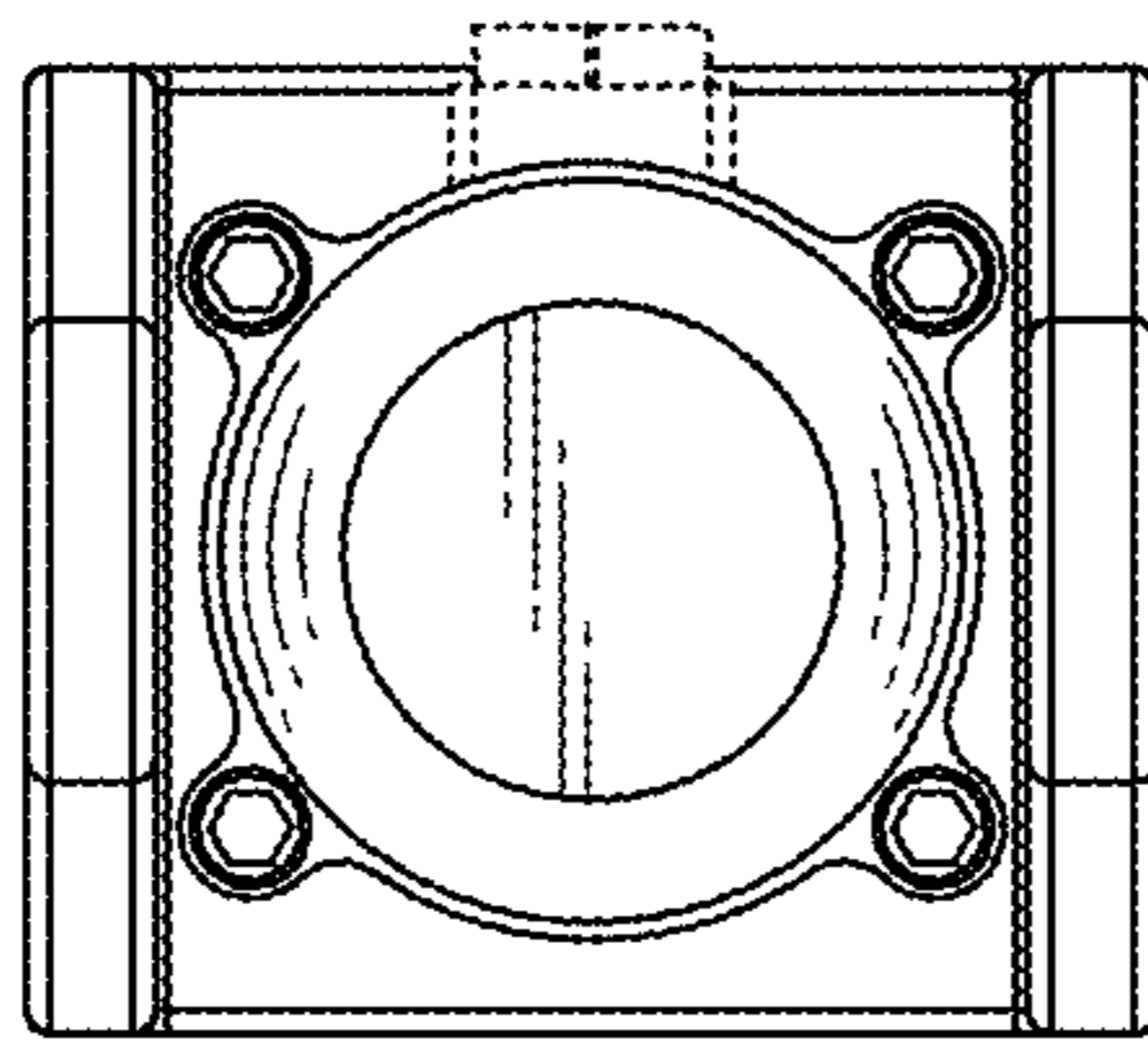


FIG. 3

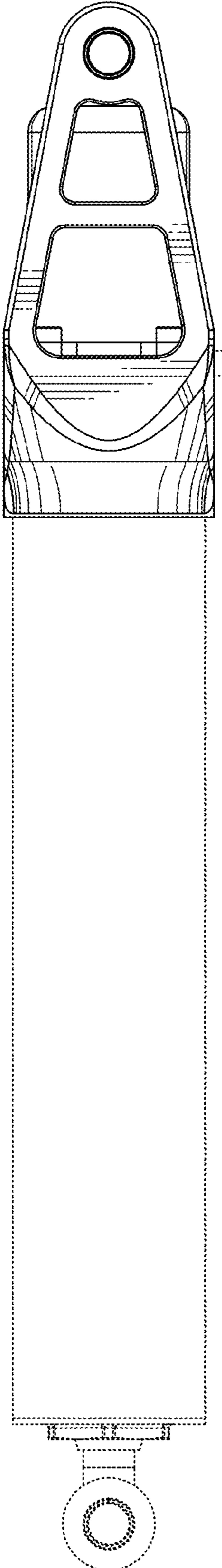


FIG. 4

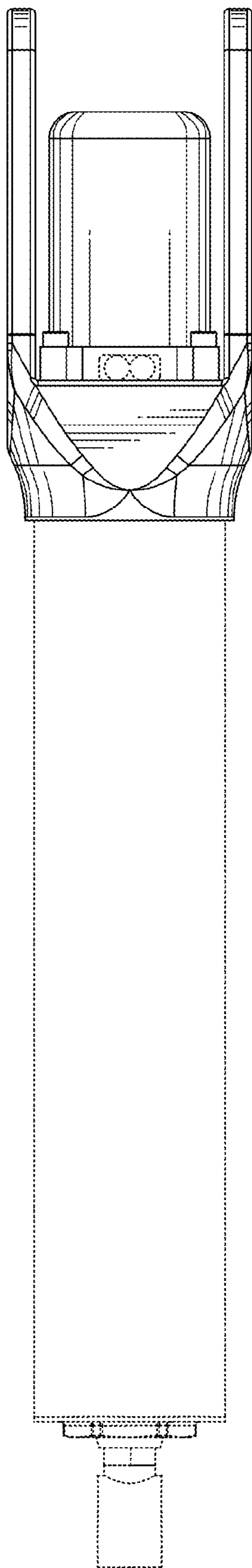


FIG. 5

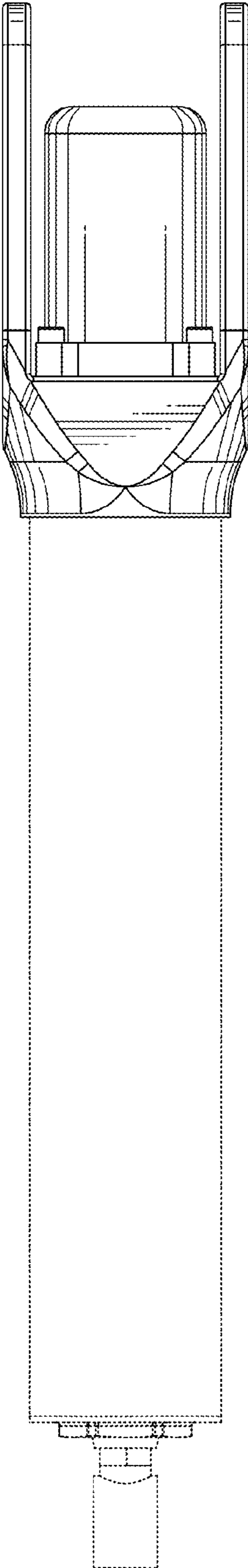


FIG. 6

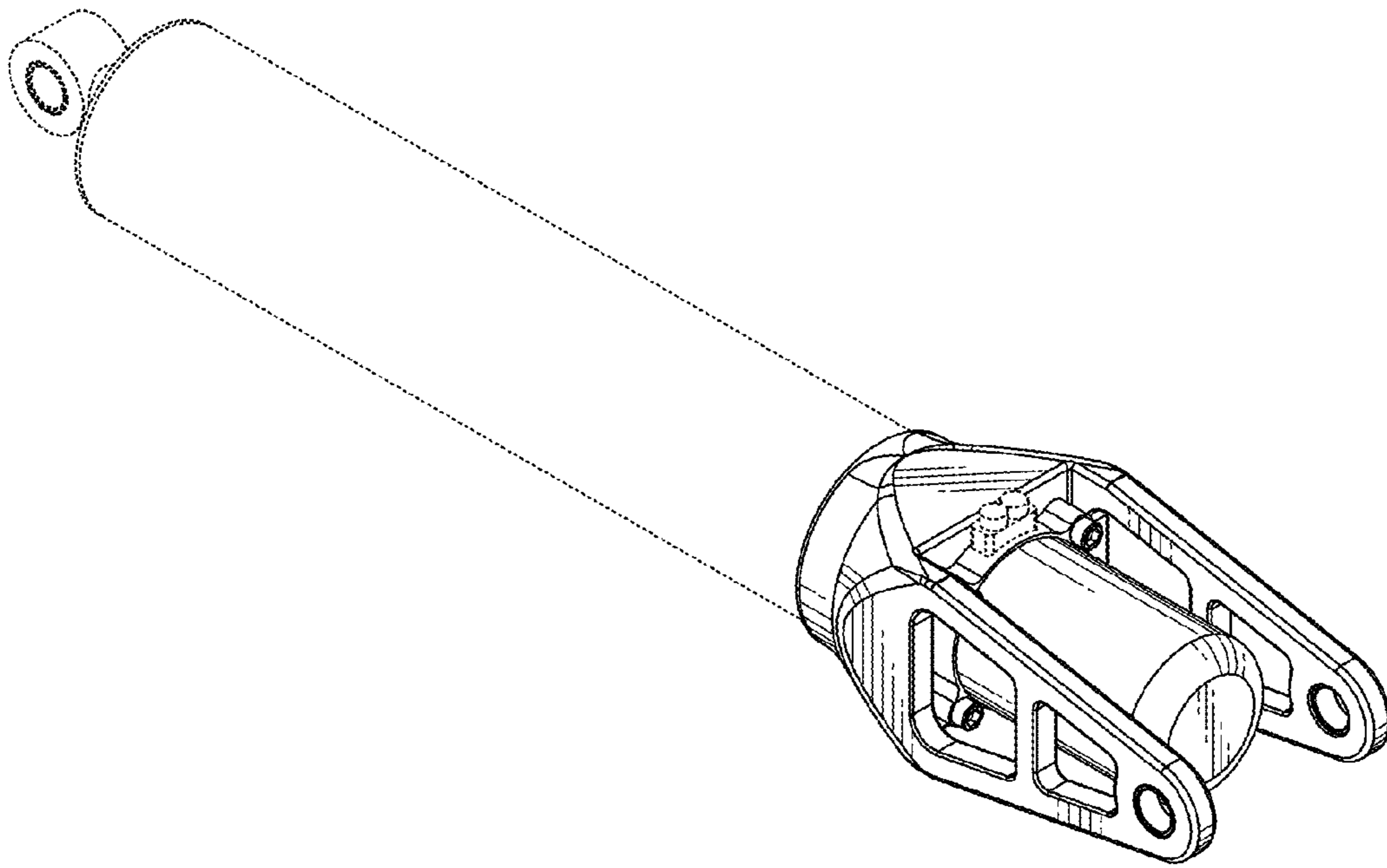


FIG. 7

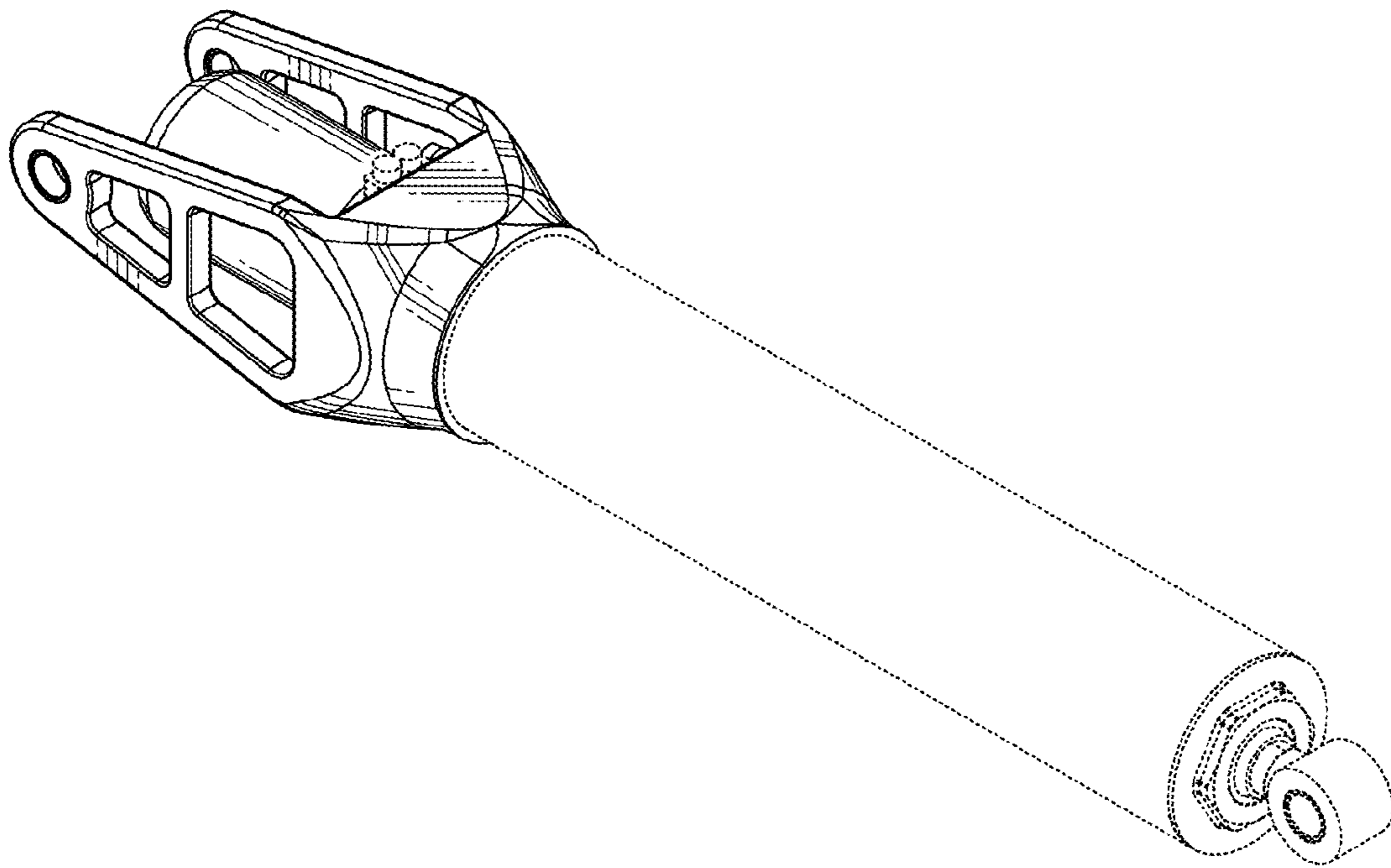


FIG. 8

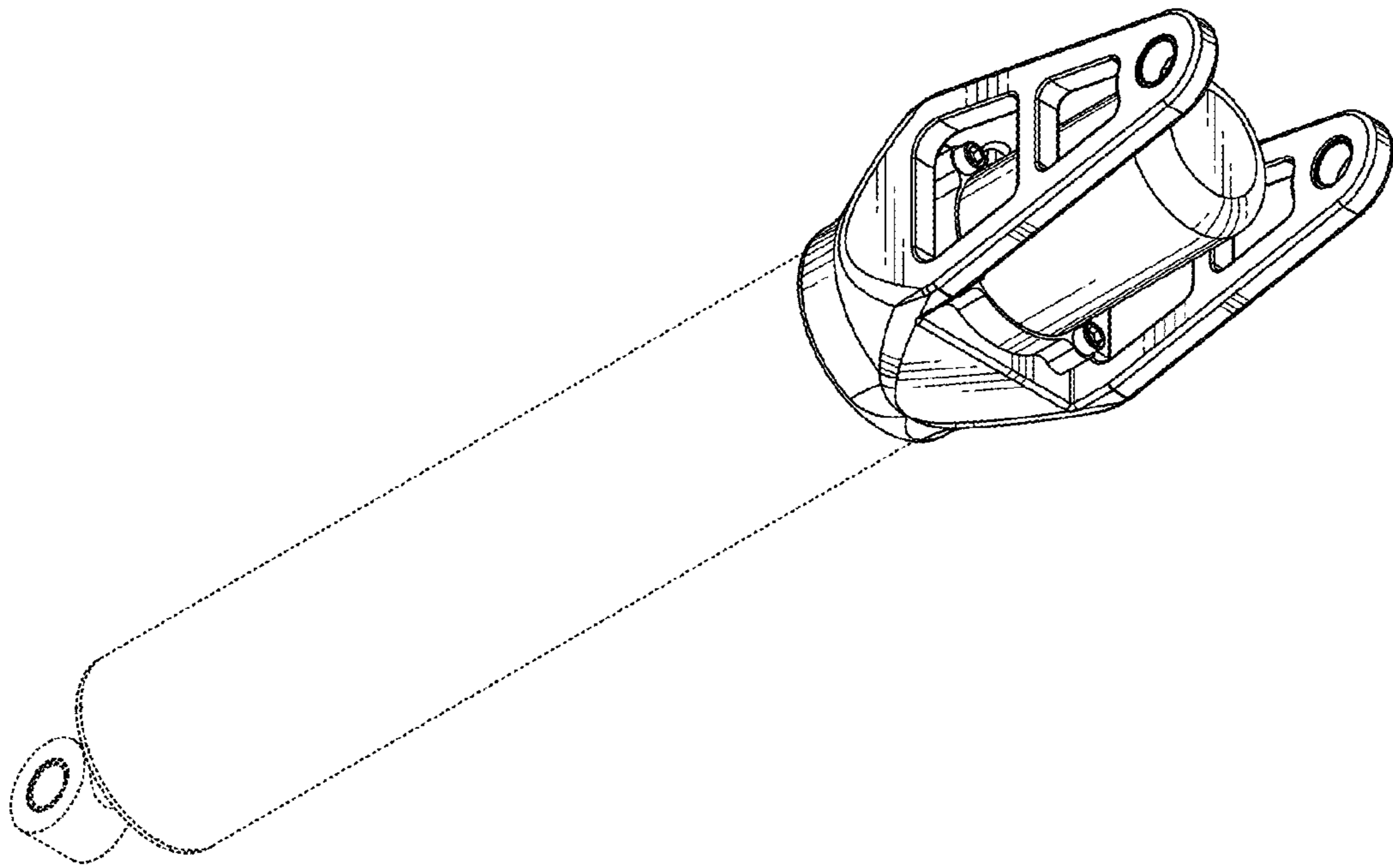


FIG. 9

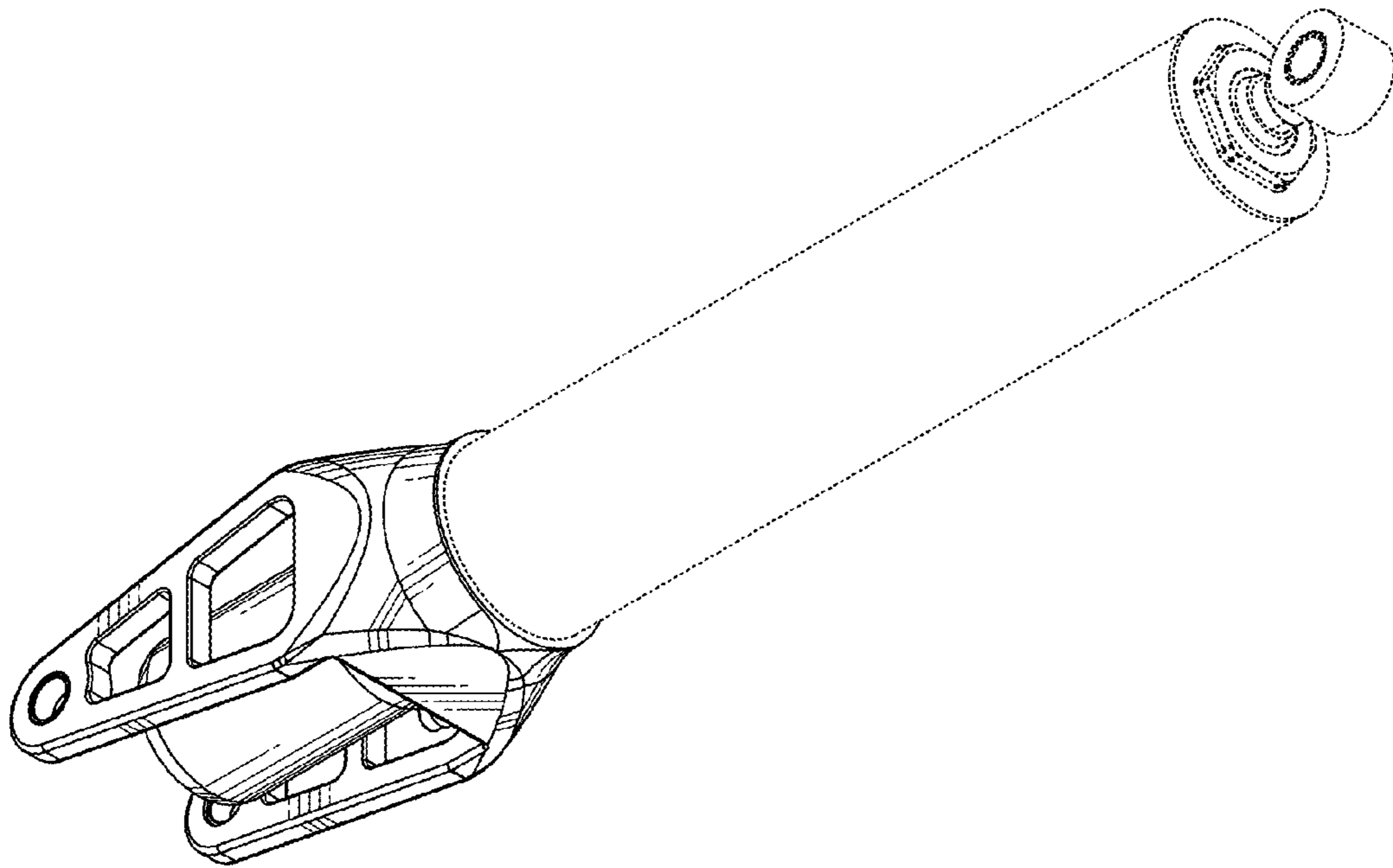


FIG. 10