



US00D726877S

(12) **United States Design Patent**
Trent et al.

(10) **Patent No.:** **US D726,877 S**
(45) **Date of Patent:** **** Apr. 14, 2015**

(54) **BALL CONTROL VALVE**
(71) Applicant: **Delaware Capital Formation, Inc.**,
Wilmington, DE (US)
(72) Inventors: **Thomas C. Trent**, Houston, TX (US);
Michael E. Wickman, Houston, TX
(US)
(73) Assignee: **Norriseal-Wellmark, Inc.**, Houston, TX
(US)

5,313,976 A 5/1994 Beasley
D537,919 S 3/2007 Yamashita
D602,566 S 10/2009 Nimberger
D620,555 S * 7/2010 Chuang et al. D23/233
D660,404 S * 5/2012 Weingarten D23/244
D678,479 S * 3/2013 Thielbar D23/248
D691,241 S * 10/2013 Braun D23/235
D692,100 S * 10/2013 Freeth D23/233
D700,681 S * 3/2014 Horn D23/233
2005/0205824 A1 9/2005 Osborne
2006/0283263 A1* 12/2006 Parris et al. 73/861.27
2011/0133109 A1 6/2011 Mircea

* cited by examiner

(**) Term: **14 Years**

Primary Examiner — Cynthia Ramirez

(21) Appl. No.: **29/487,193**

(74) *Attorney, Agent, or Firm* — Fish & Richardson P.C.

(22) Filed: **Apr. 7, 2014**

(57) **CLAIM**

The ornamental design for a ball control valve, as shown and described.

(51) **LOC (10) Cl.** **23-01**

(52) **U.S. Cl.**
USPC **D23/233**

DESCRIPTION

(58) **Field of Classification Search**
CPC F16K 41/02; F16K 41/04; F16K 41/046;
F16K 41/00; F16K 1/2268
USPC D23/233–237, 244–249; 137/15.07,
137/15.08, 15.04; 251/214, 149.1, 273
See application file for complete search history.

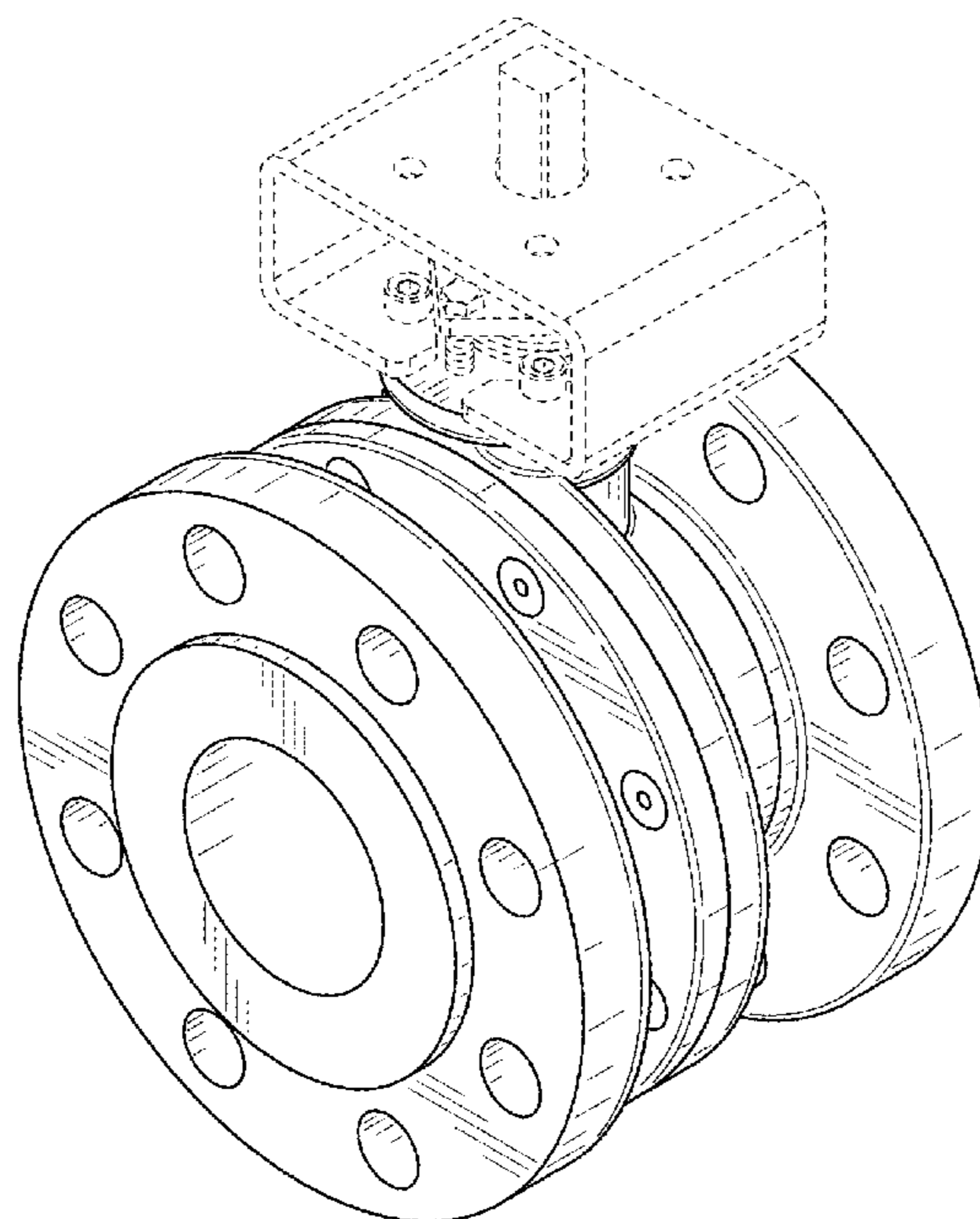
FIG. 1 is a perspective view of the ball control valve showing our new design;
FIG. 2 is a front elevational view thereof;
FIG. 3 is a rear elevational view thereof;
FIG. 4 is a first side view thereof;
FIG. 5 is an opposite side view thereof;
FIG. 6 is a top view thereof;
FIG. 7 is a bottom view thereof; and,
FIG. 8 is another perspective view thereof.
The broken line showing in the figures is included for the purpose of illustrating environment and forms no part of the claimed design.

(56) **References Cited**

U.S. PATENT DOCUMENTS

4,111,393 A 9/1978 McClurg et al.
4,566,482 A 1/1986 Stunkard
4,660,591 A 4/1987 Brown et al.
D299,521 S * 1/1989 Kiyota et al. D23/245

1 Claim, 5 Drawing Sheets



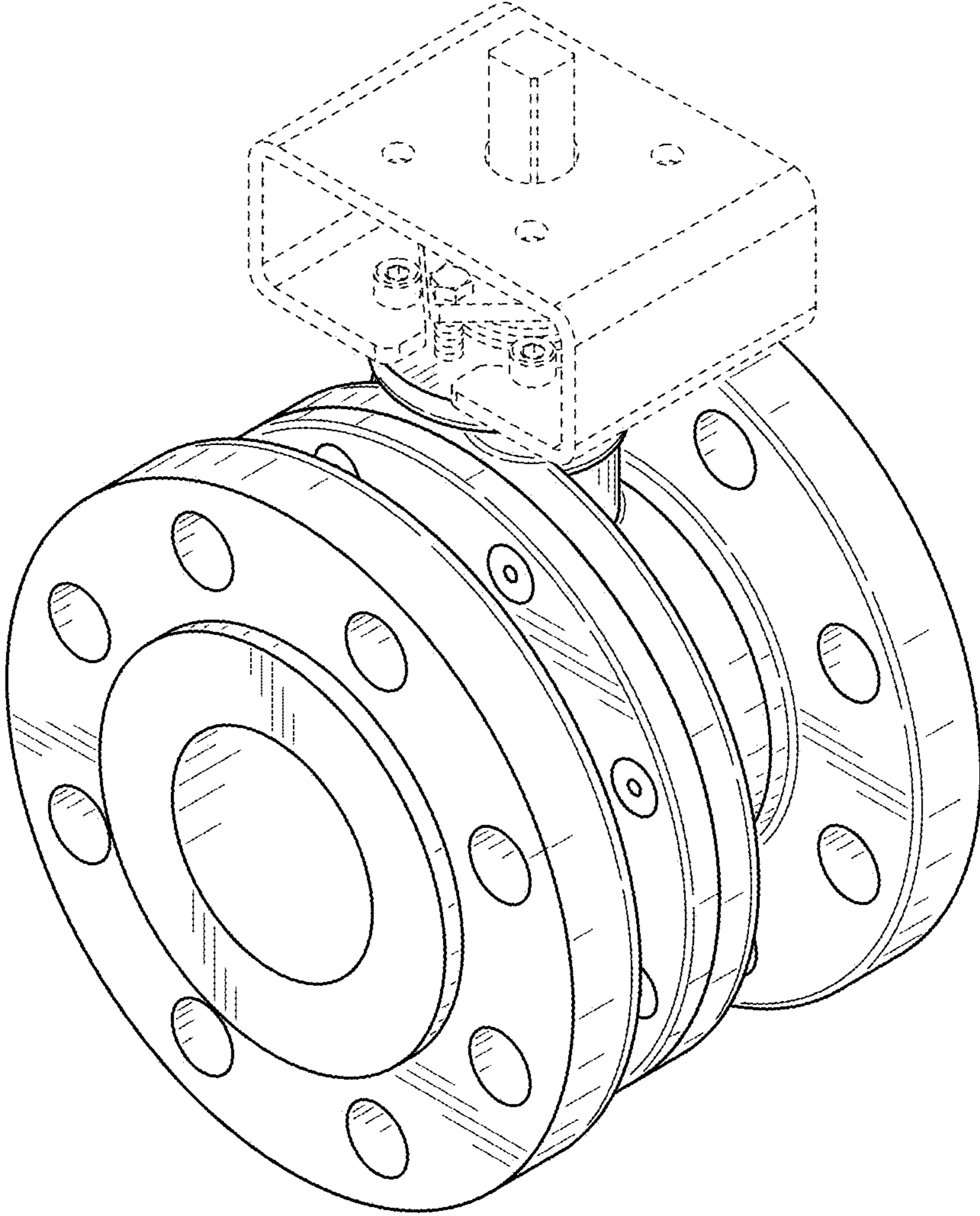


FIG. 1

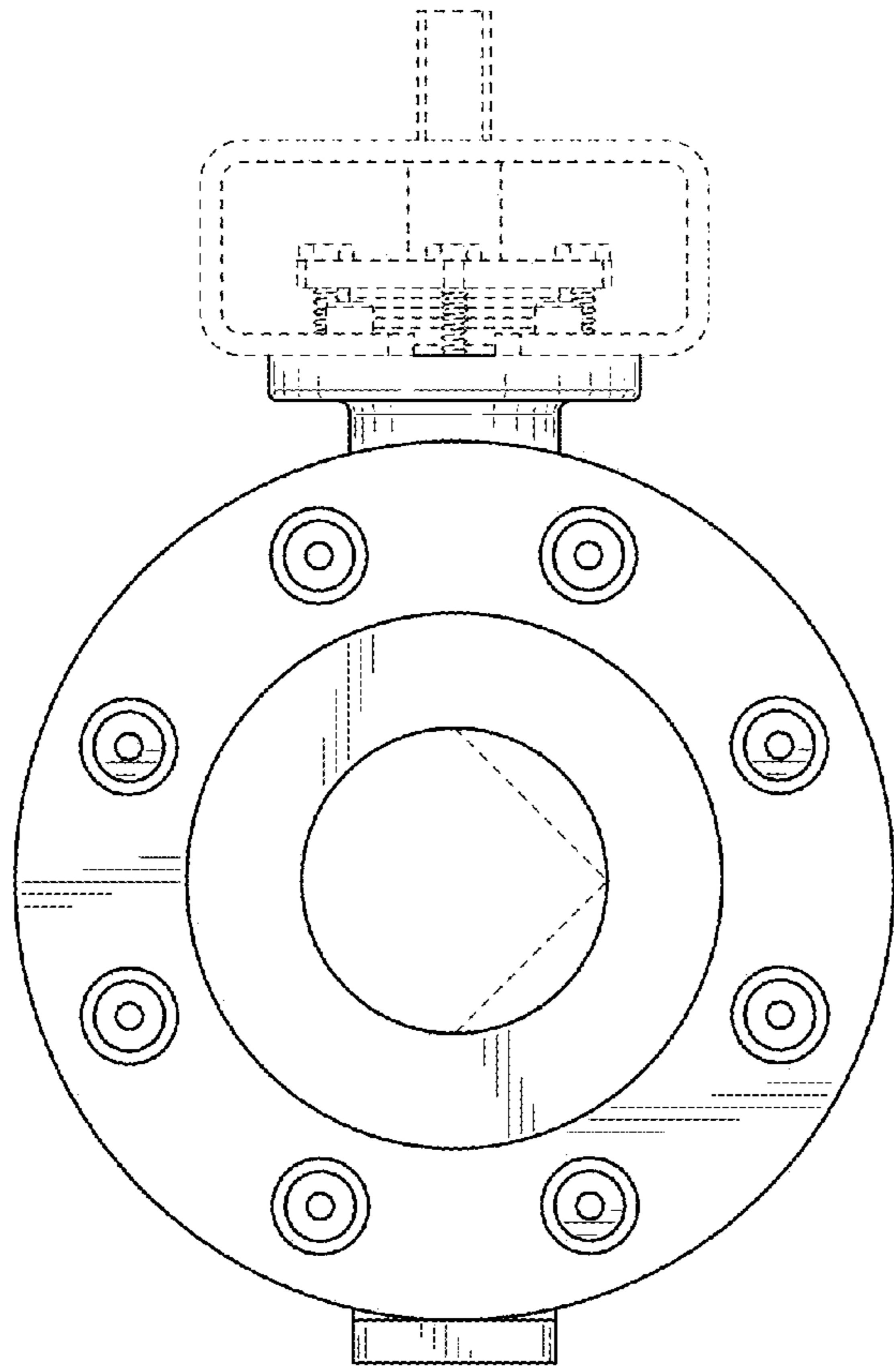


FIG. 2

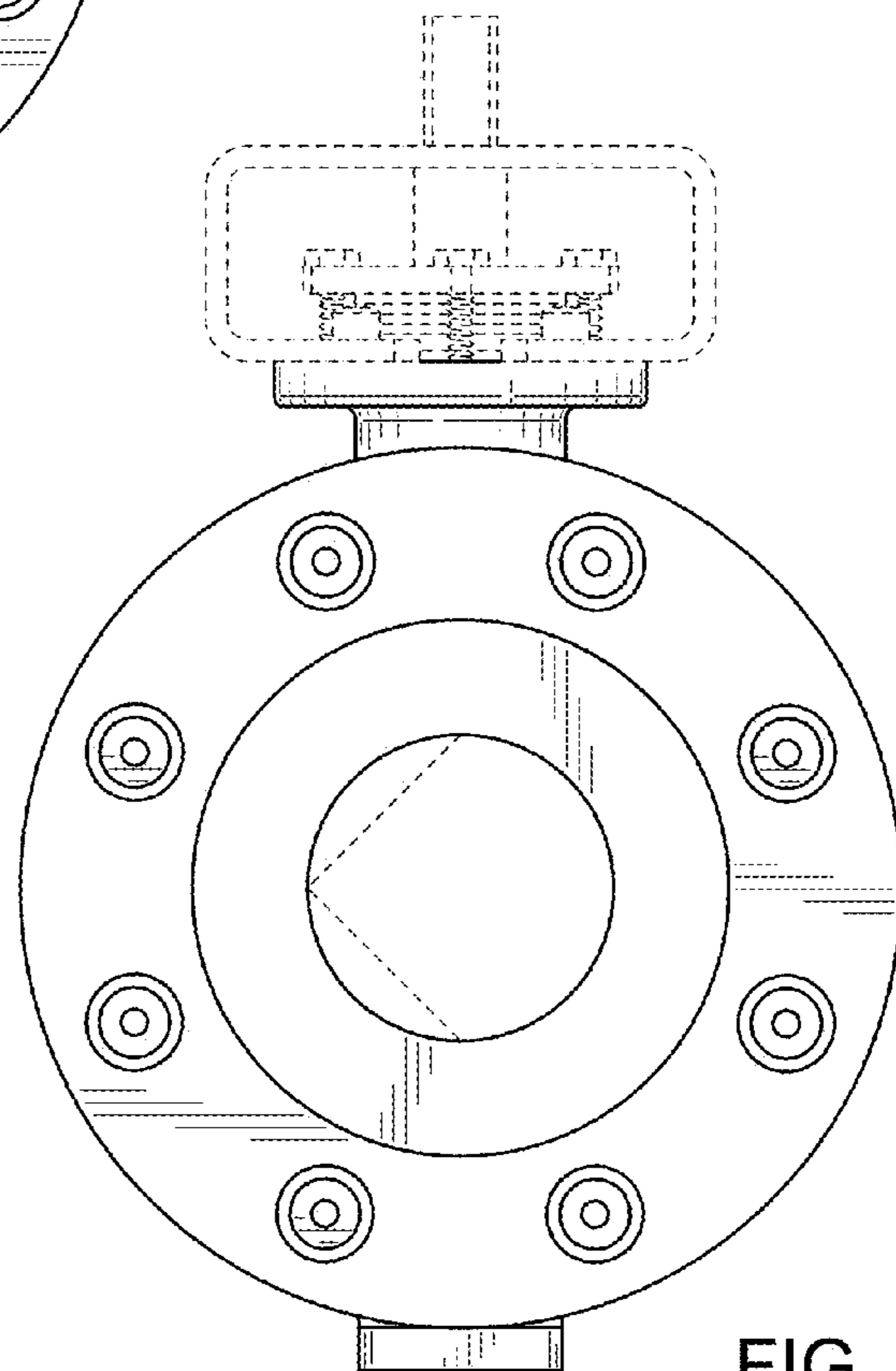


FIG. 3

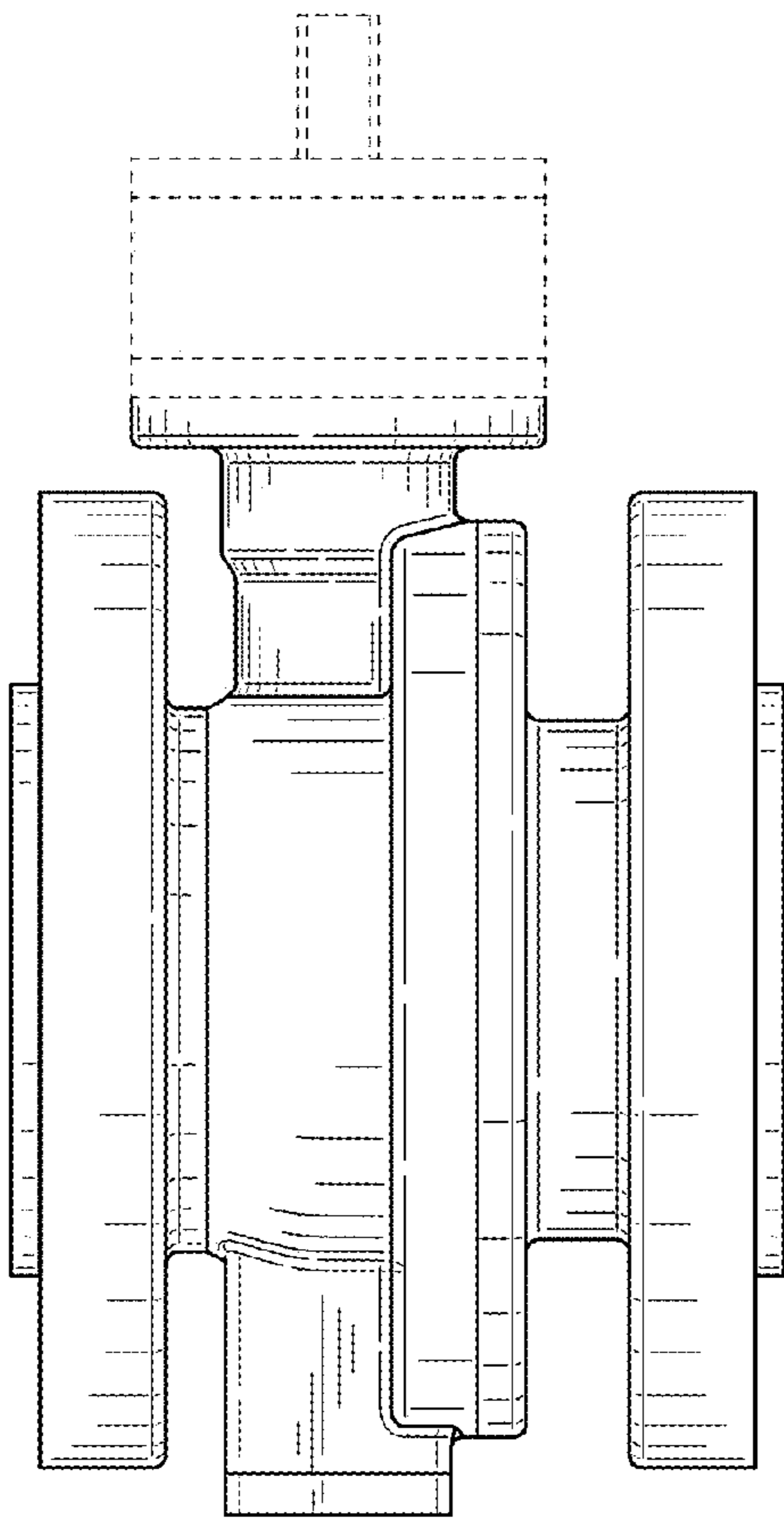


FIG. 4

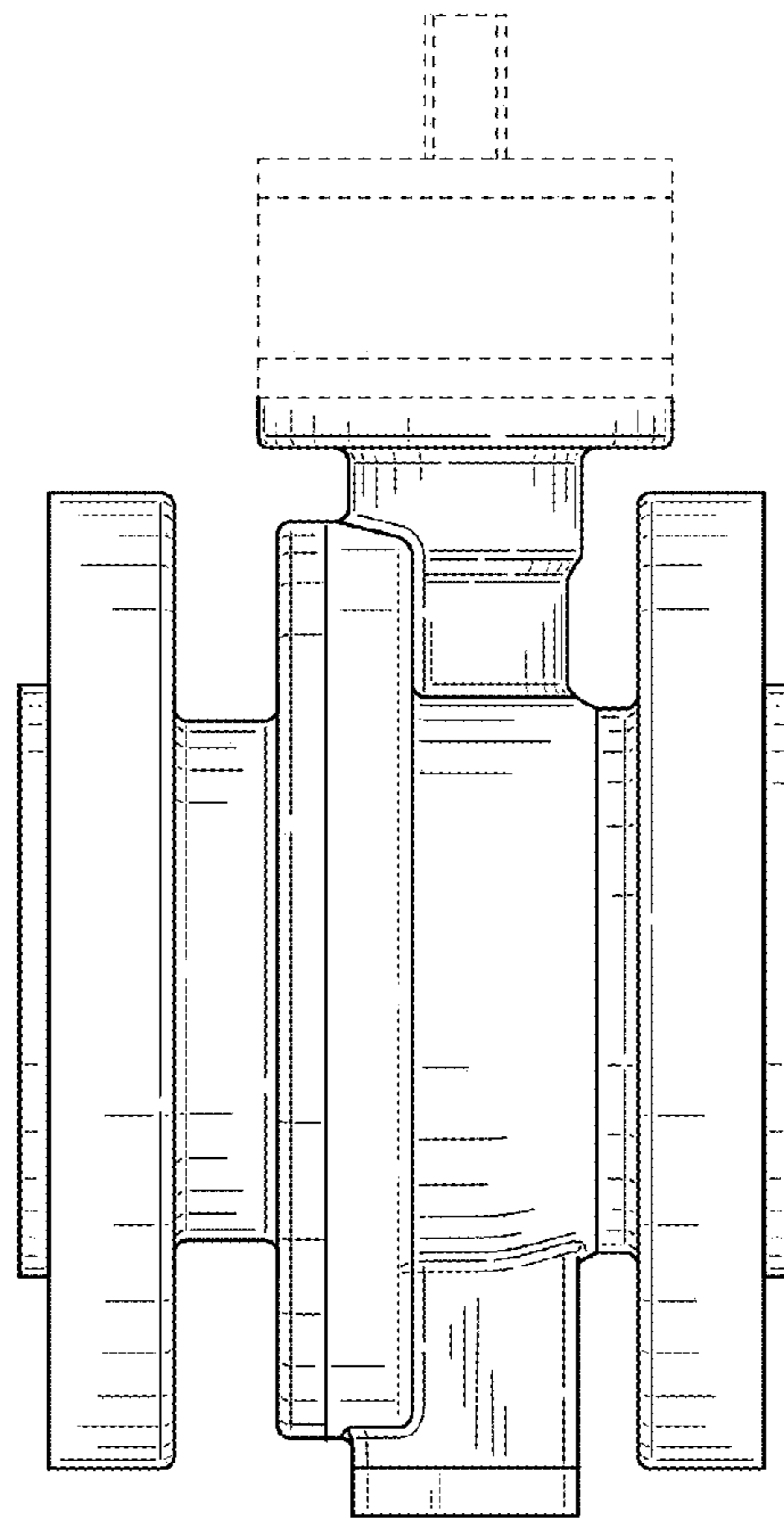


FIG. 5

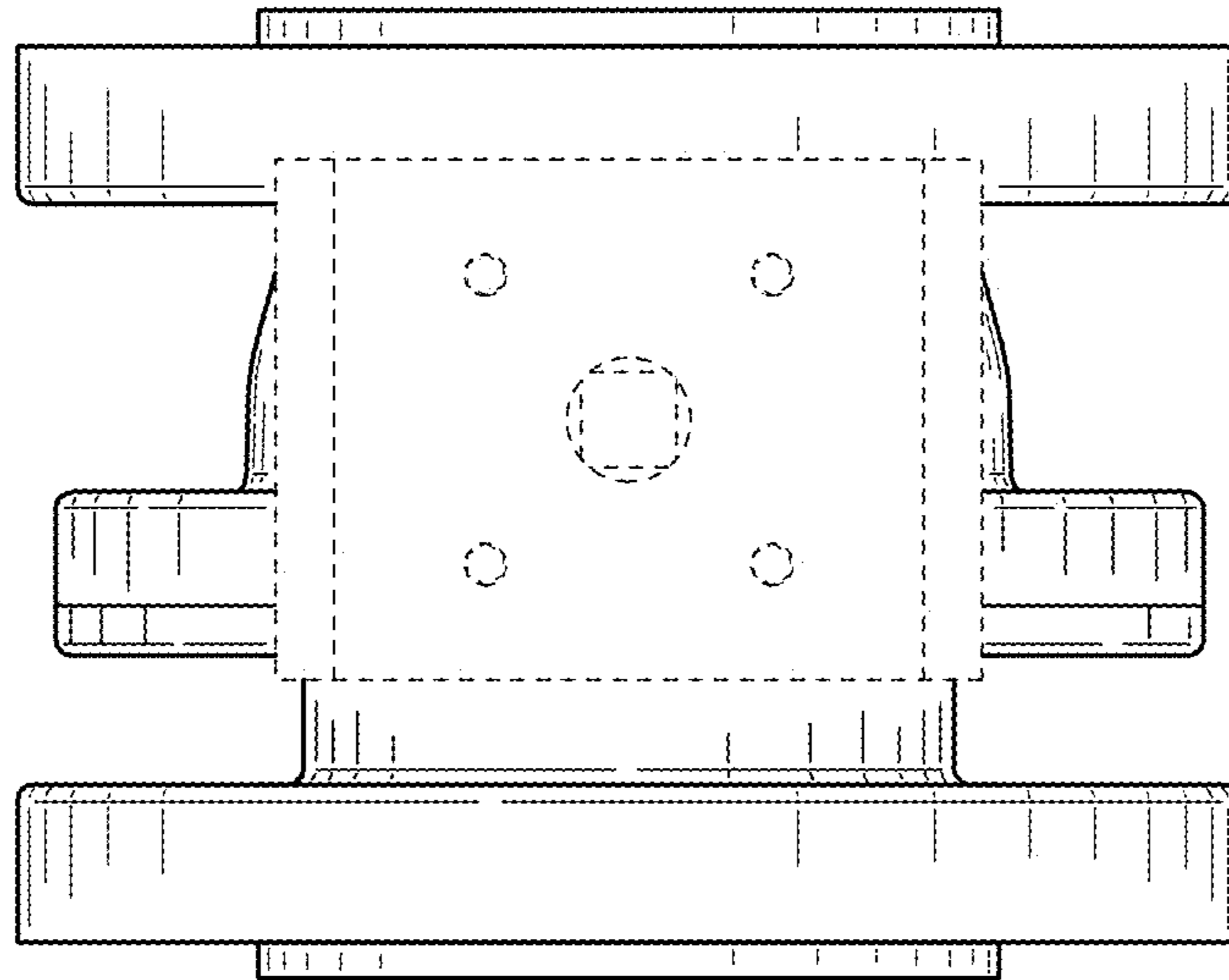


FIG. 6

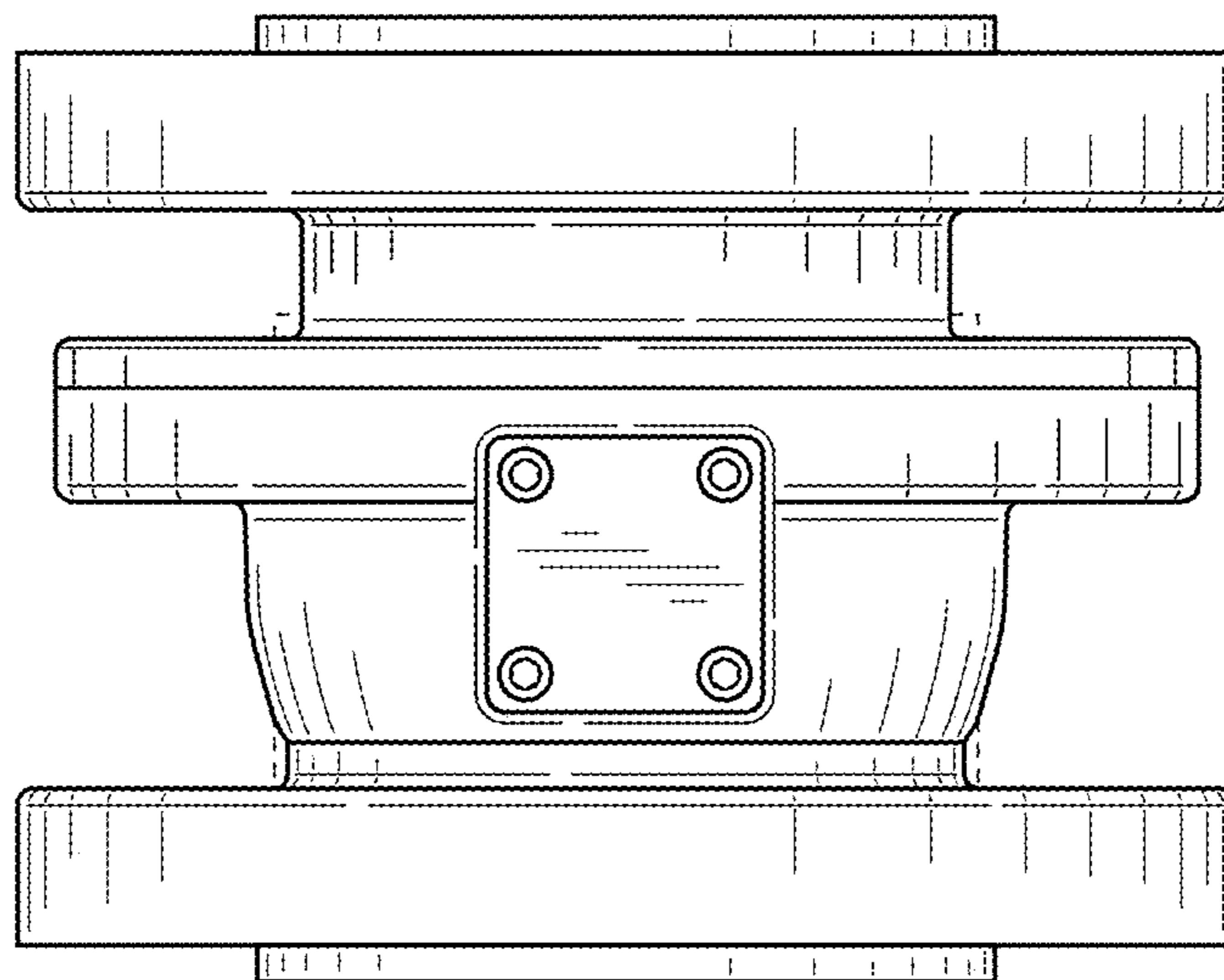


FIG. 7

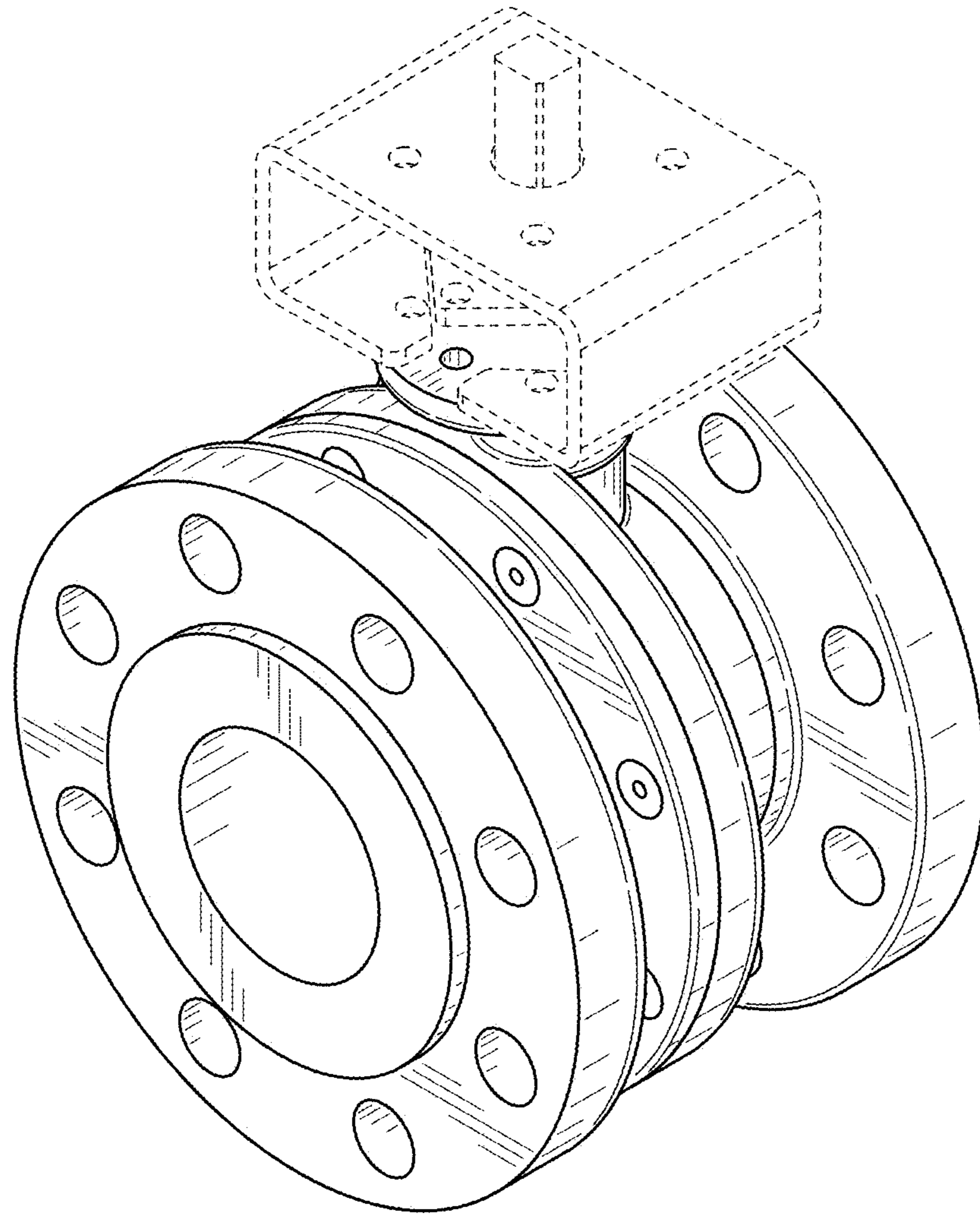


FIG. 8