



US00D726876S

(12) **United States Design Patent**  
**Trent et al.**

(10) **Patent No.:** **US D726,876 S**  
(45) **Date of Patent:** **\*\* Apr. 14, 2015**

- (54) **BALL CONTROL VALVE**
- (71) Applicant: **Delaware Capital Formation, Inc.**,  
Wilmington, DE (US)
- (72) Inventors: **Thomas C. Trent**, Houston, TX (US);  
**Michael E. Wickman**, Houston, TX  
(US)
- (73) Assignee: **Norriseal-Wellmark, Inc.**, Houston, TX  
(US)

5,313,976 A	5/1994	Beasley	
D537,919 S	3/2007	Yamashita	
D602,566 S	10/2009	Nimberger	
D620,555 S *	7/2010	Chuang et al.	D23/233
D660,404 S *	5/2012	Weingarten	D23/244
D678,479 S *	3/2013	Thielbar	D23/248
D691,241 S *	10/2013	Braun	D23/235
D692,100 S *	10/2013	Freeth	D23/233
D700,681 S *	3/2014	Horn	D23/233
2005/0205824 A1	9/2005	Osborne	
2006/0283263 A1*	12/2006	Parris et al.	73/861.27
2011/0133109 A1	6/2011	Mircea	

\* cited by examiner

(\*\*) Term: **14 Years**

*Primary Examiner* — Cynthia Ramirez

(21) Appl. No.: **29/487,192**

(74) *Attorney, Agent, or Firm* — Fish & Richardson P.C.

(22) Filed: **Apr. 7, 2014**

(57) **CLAIM**

The ornamental design for a ball control valve, as shown and described.

(51) **LOC (10) Cl.** ..... **23-01**

**DESCRIPTION**

(52) **U.S. Cl.** ..... **D23/233**

(58) **Field of Classification Search**

CPC ..... F16K 41/02; F16K 41/04; F16K 41/046;  
F16K 41/00; F16K 1/2268  
USPC ..... D23/233–237, 244–249; 137/15.07,  
137/15.08, 15.04; 251/214, 149.1, 273  
See application file for complete search history.

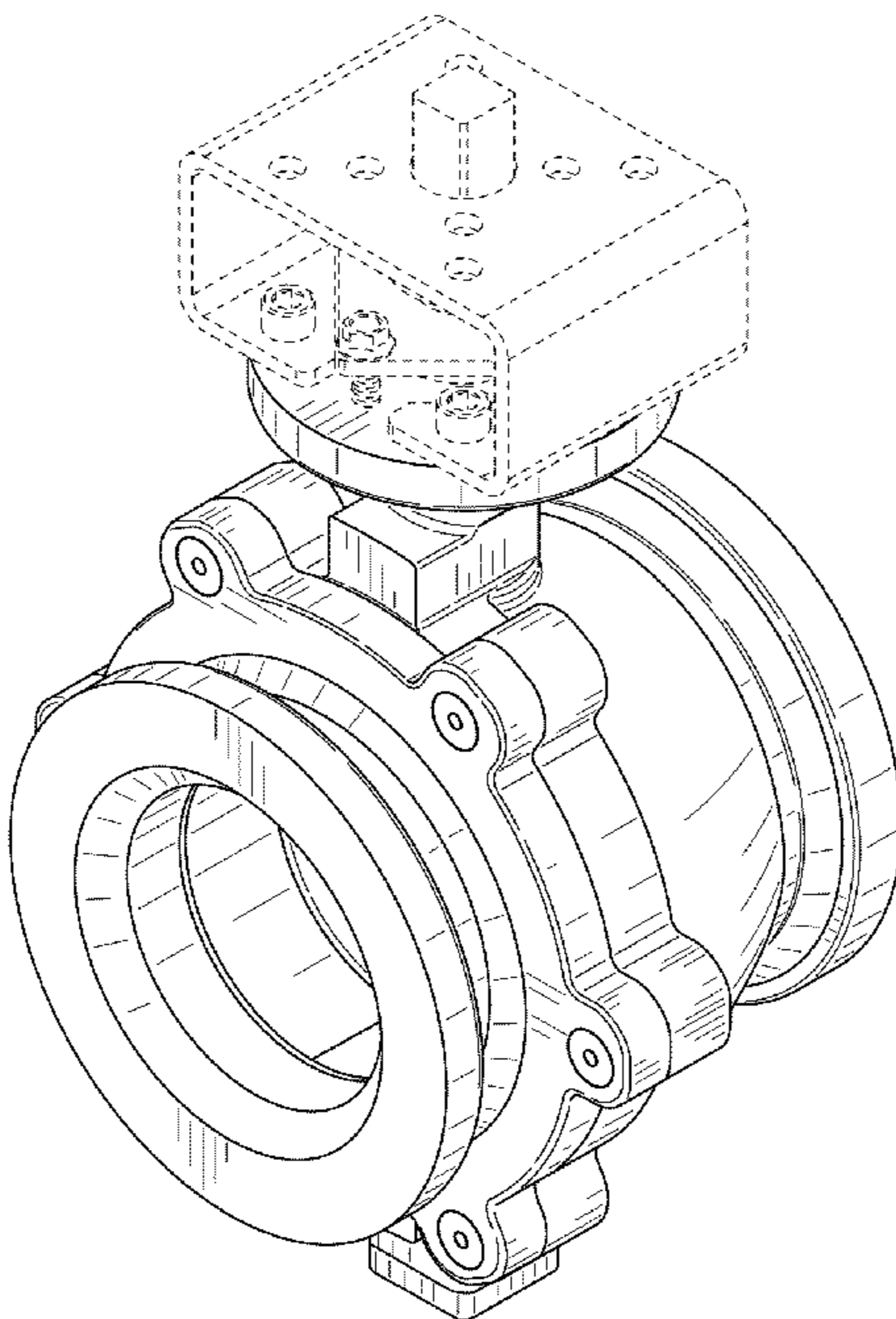
FIG. 1 is a perspective view of the ball control valve showing our new design;  
FIG. 2 is a front elevational view thereof;  
FIG. 3 is a rear elevational view thereof;  
FIG. 4 is a first side view thereof;  
FIG. 5 is an opposite side view thereof;  
FIG. 6 is a top view thereof;  
FIG. 7 is a bottom view thereof; and,  
FIG. 8 is another perspective view thereof.  
The broken line on the figures is included for the purpose of illustrating environment and forms no part of the claimed design.

(56) **References Cited**

U.S. PATENT DOCUMENTS

4,111,393 A	9/1978	McClurg et al.	
4,566,482 A	1/1986	Stunkard	
4,660,591 A	4/1987	Brown et al.	
D299,521 S *	1/1989	Kiyota et al.	D23/245

**1 Claim, 5 Drawing Sheets**



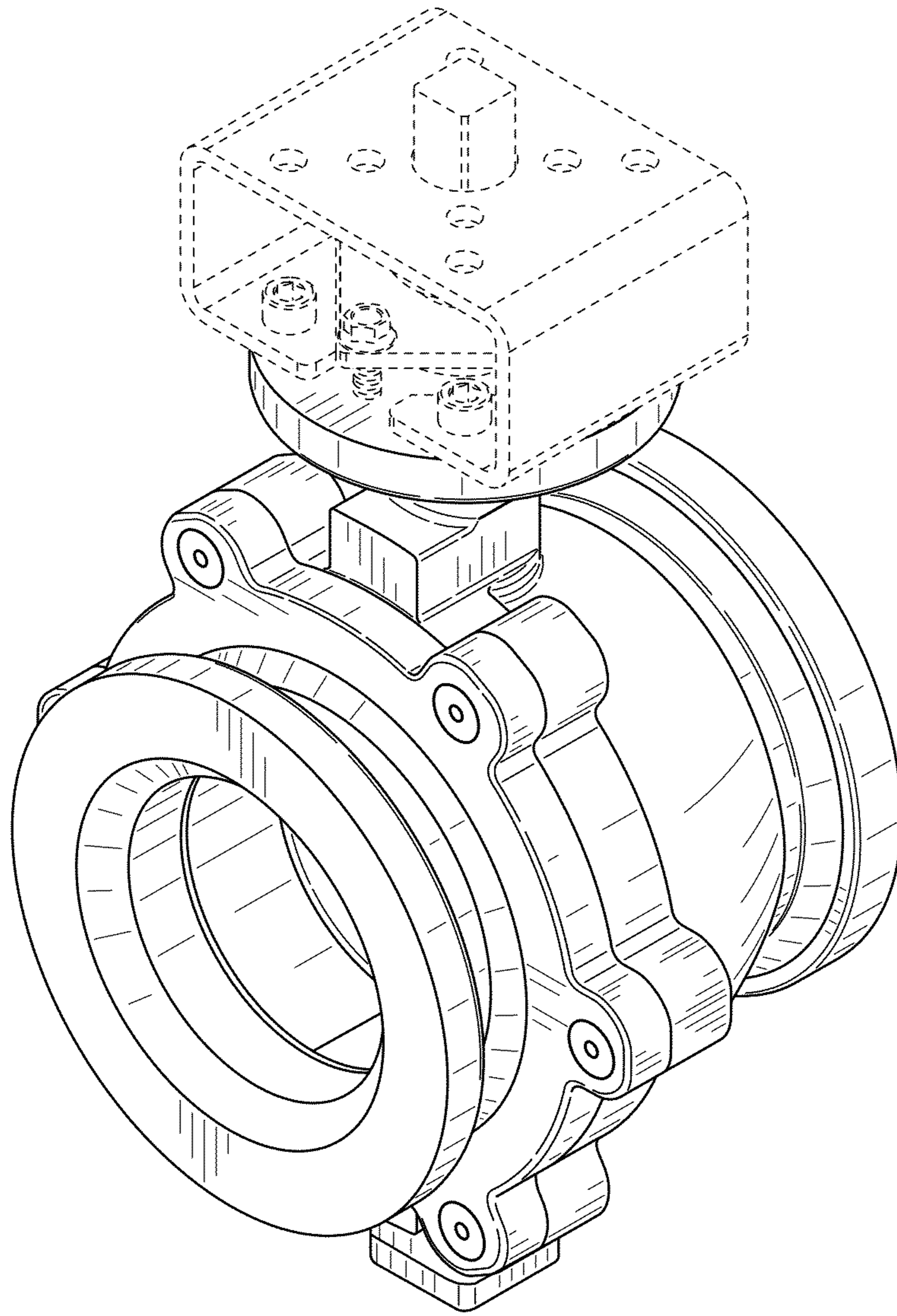


FIG. 1

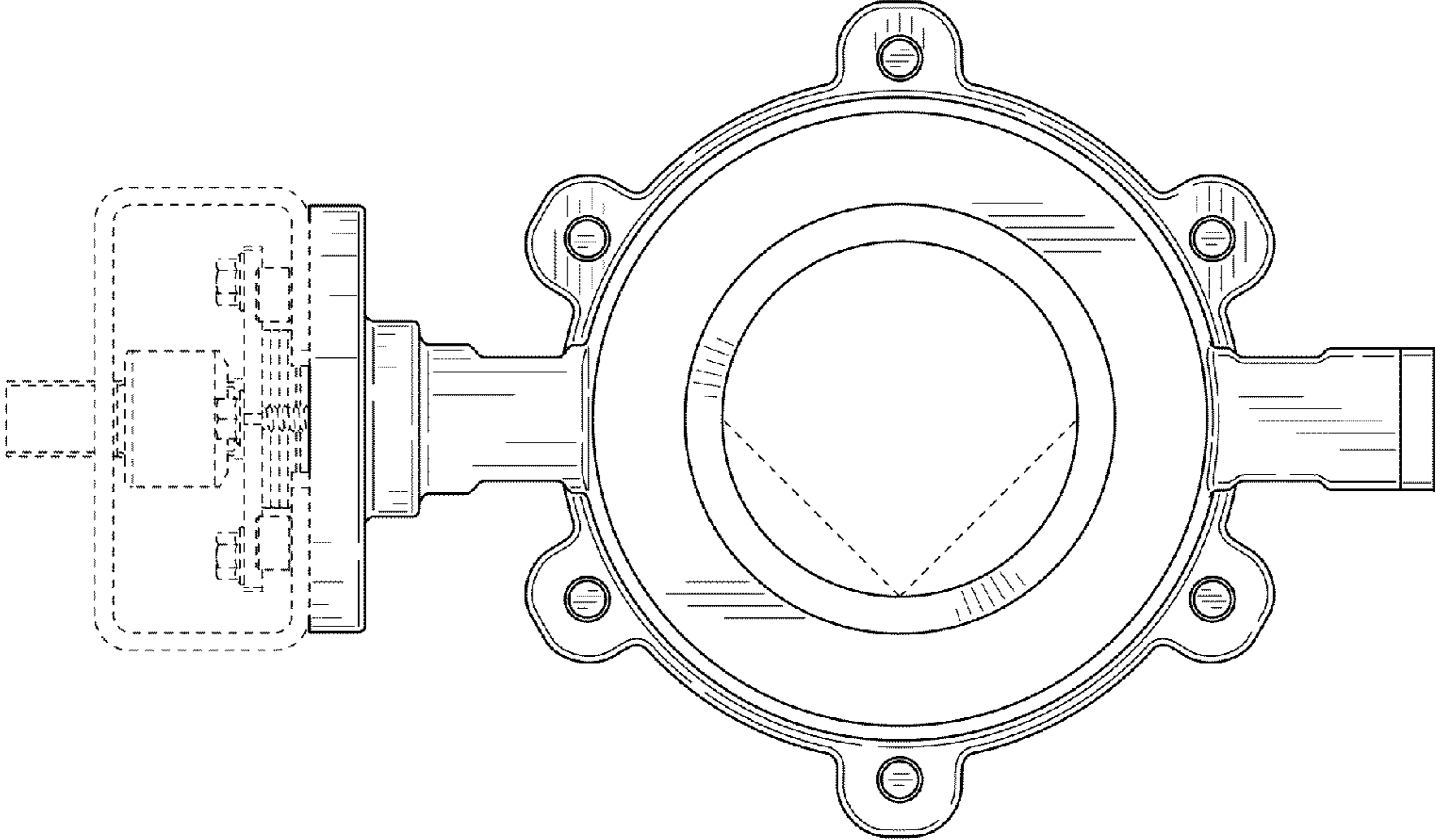


FIG. 2

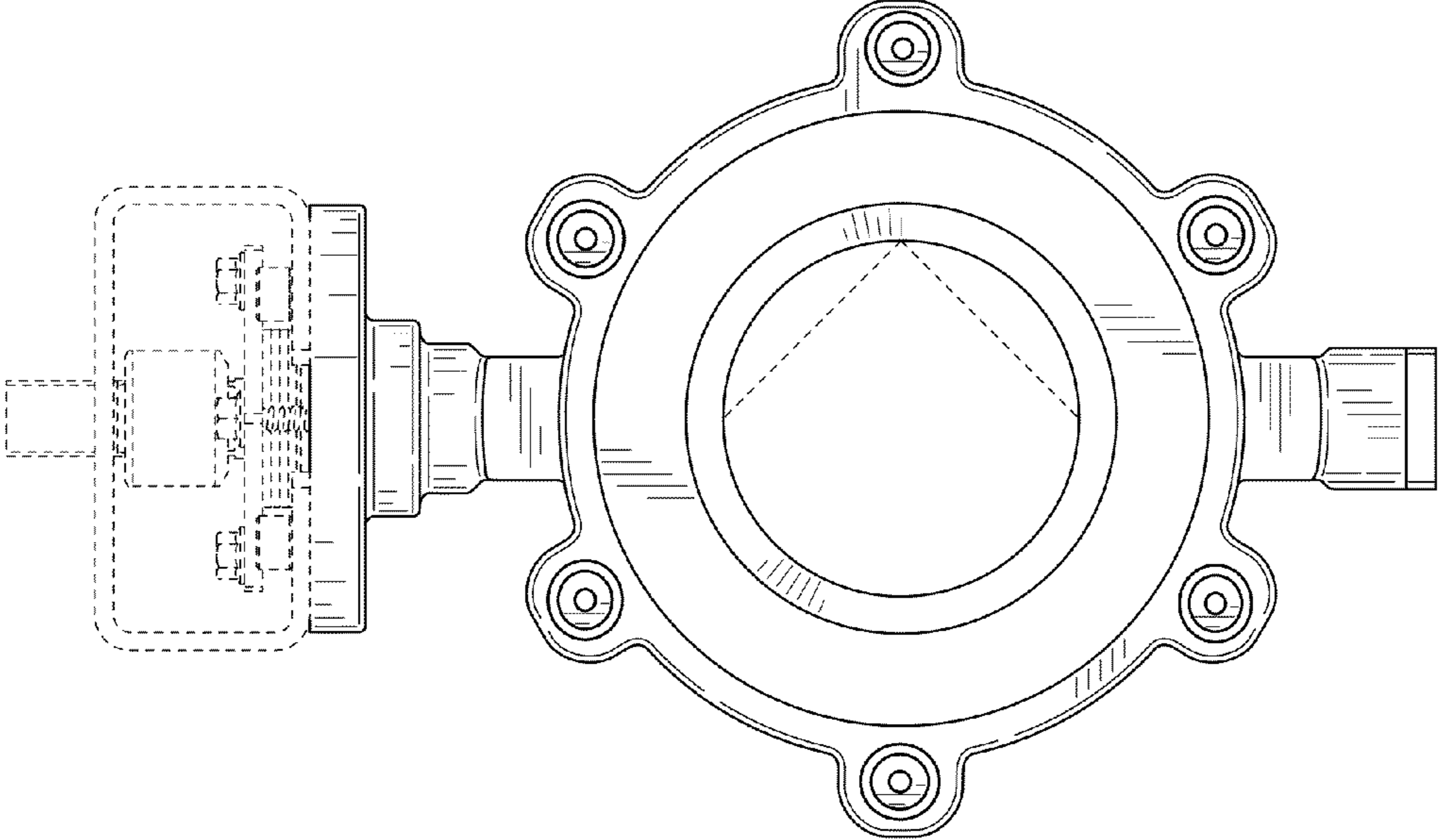


FIG. 3

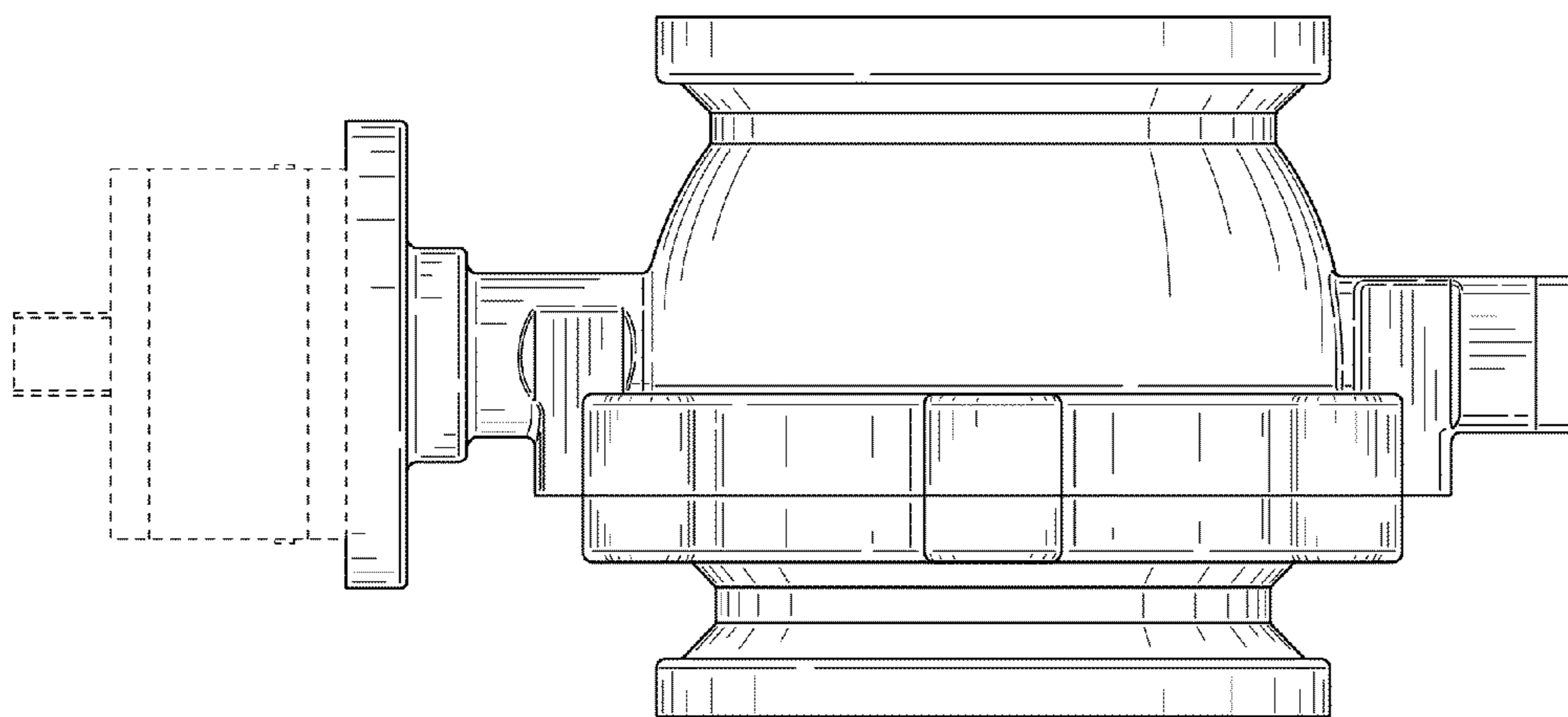


FIG. 5

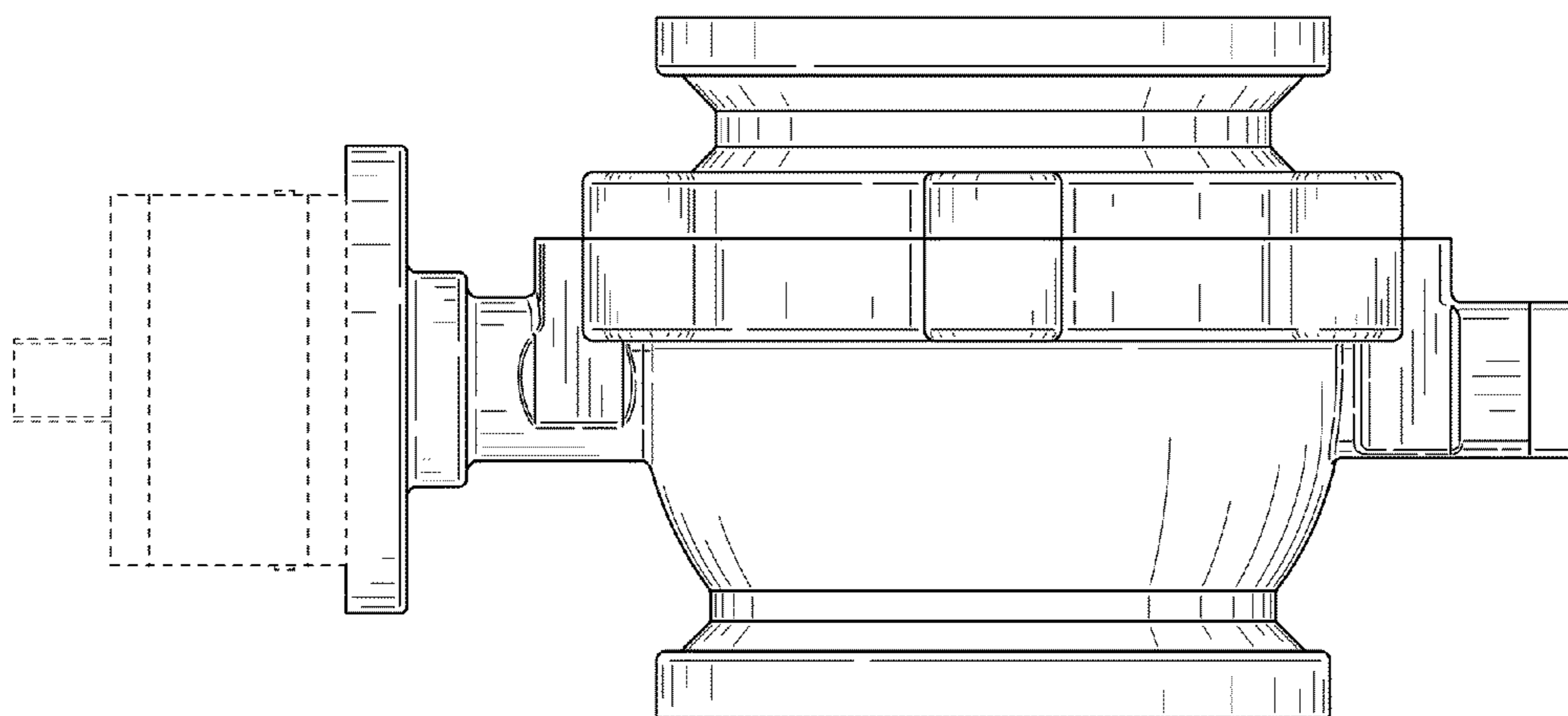


FIG. 4

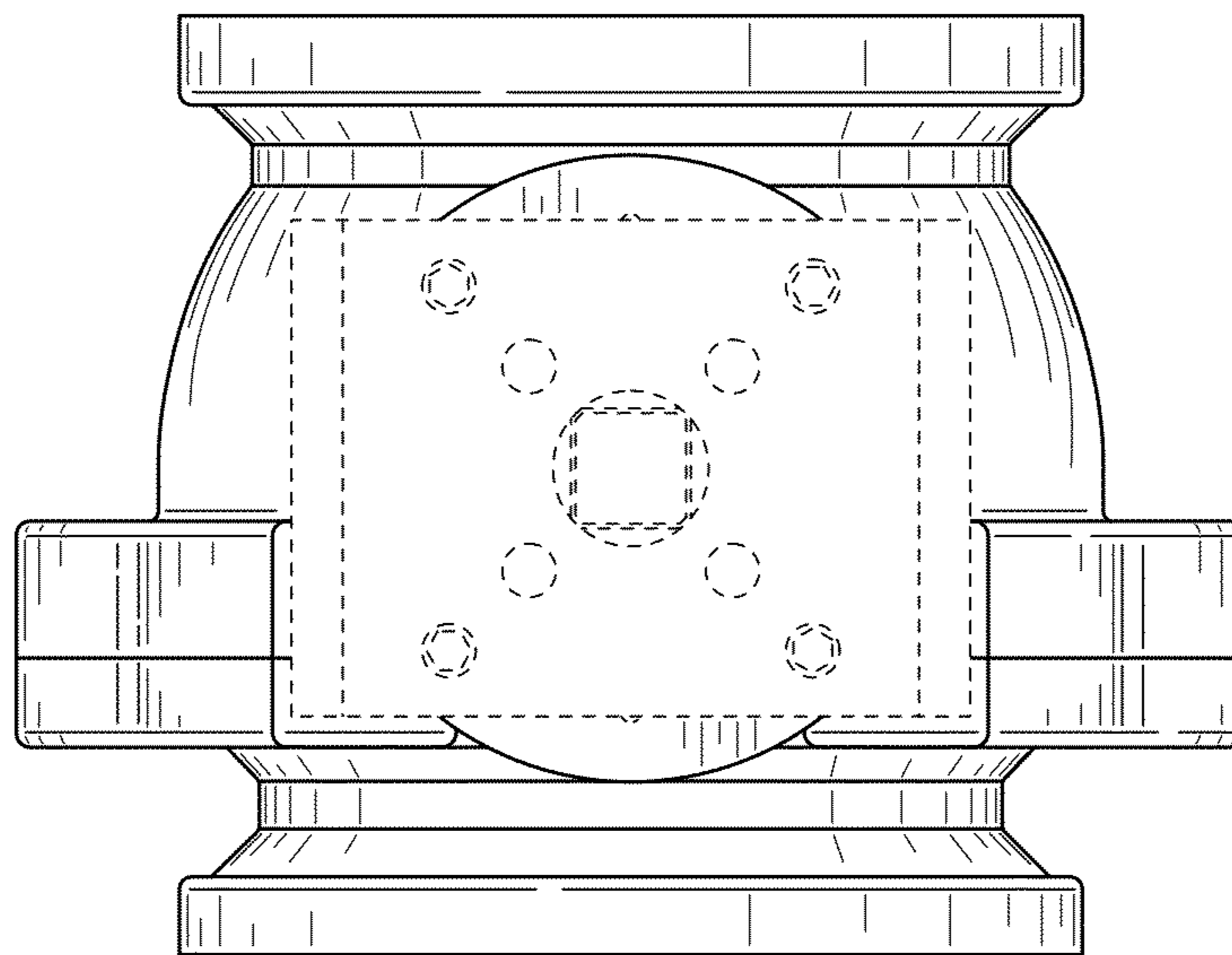


FIG. 6

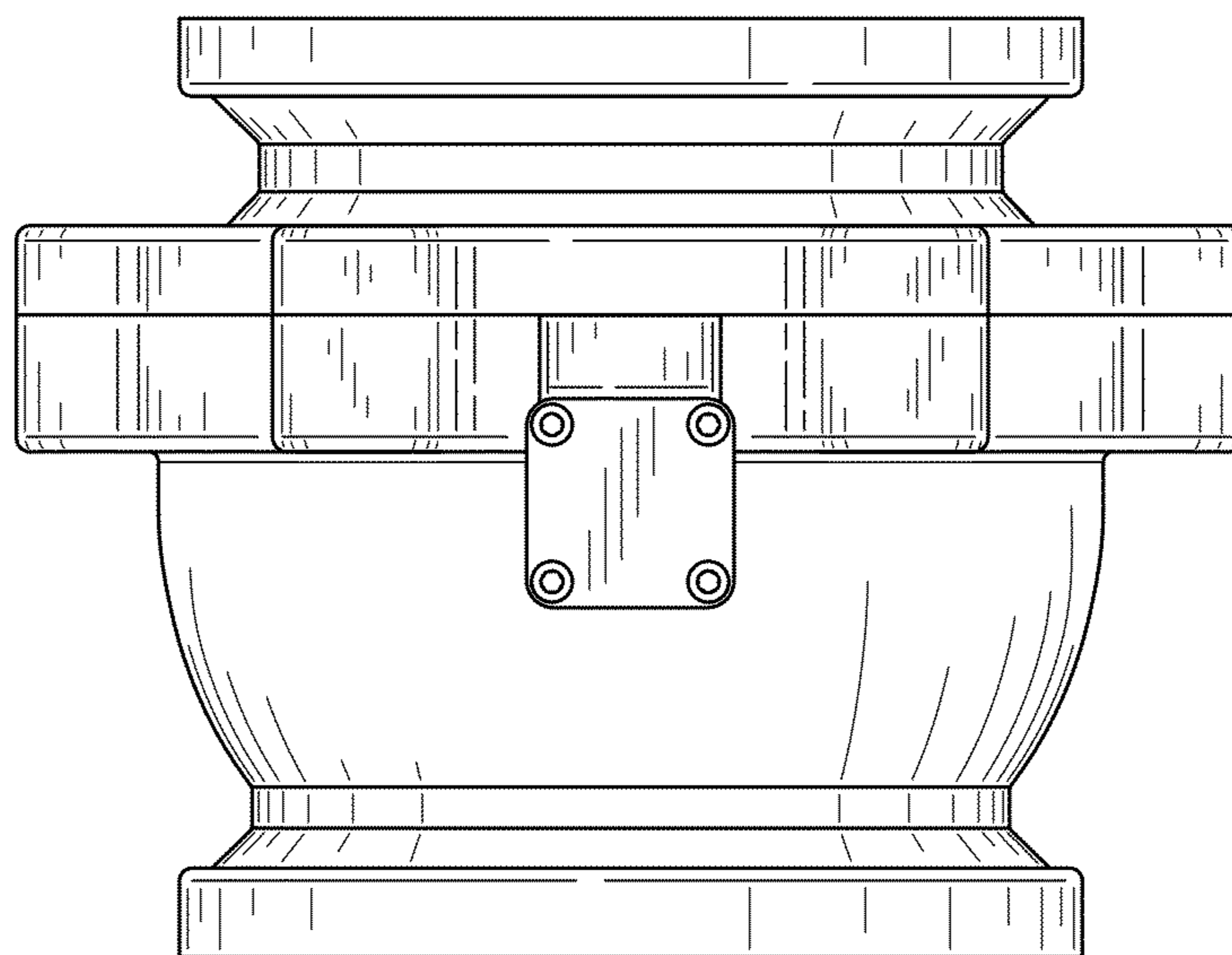


FIG. 7

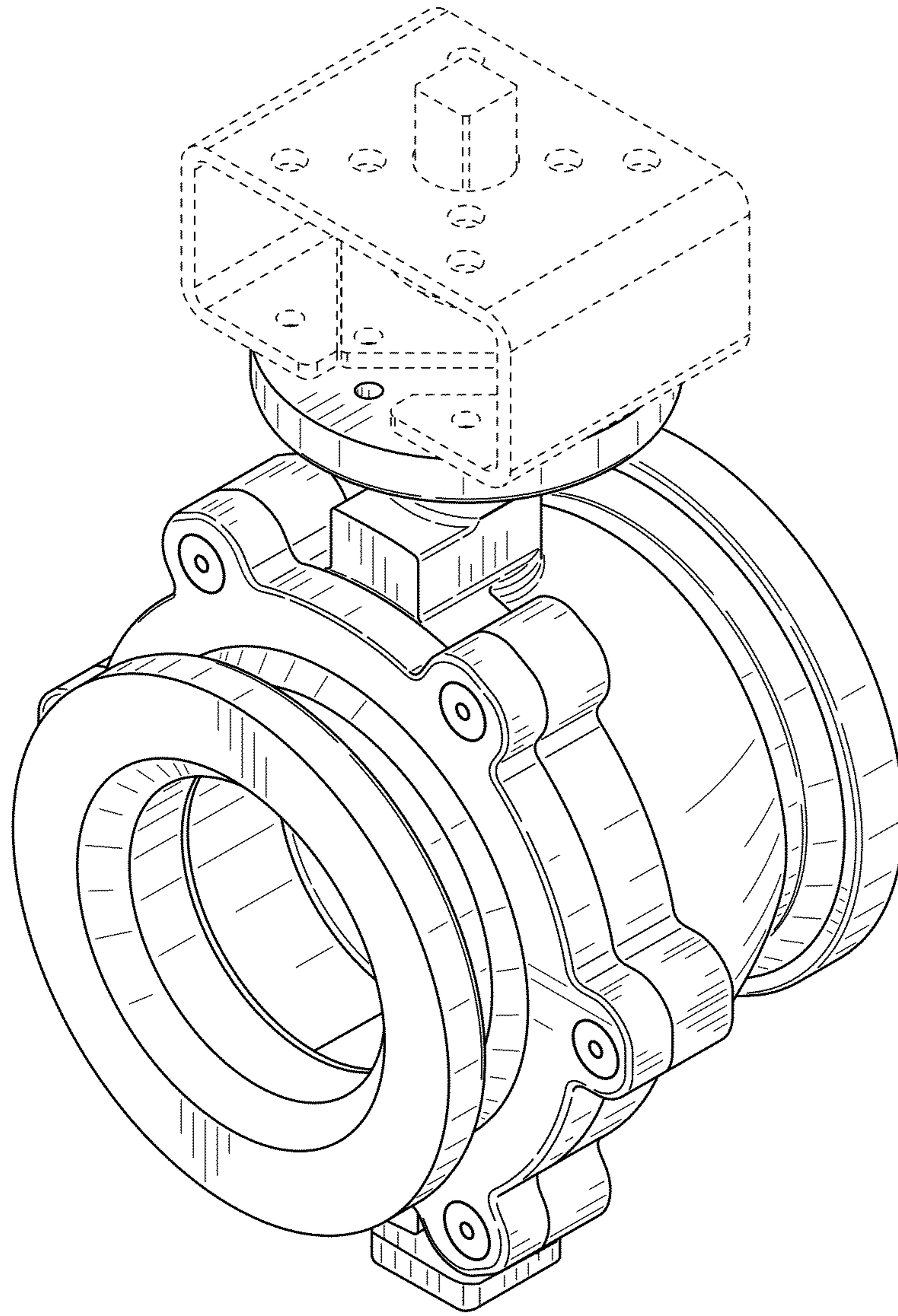


FIG. 8